



**BOSCH**

# Angle Grinder

GWS10-45PE | 3 601 C96 511

---

## Table of Content

Spare parts list.....	2
Illustration - Type.....	4

Illustration - Type - E

3 601 C96 511  
Stand } 19-07  
Issue } 21-02-26

Fig. /Abb. 1

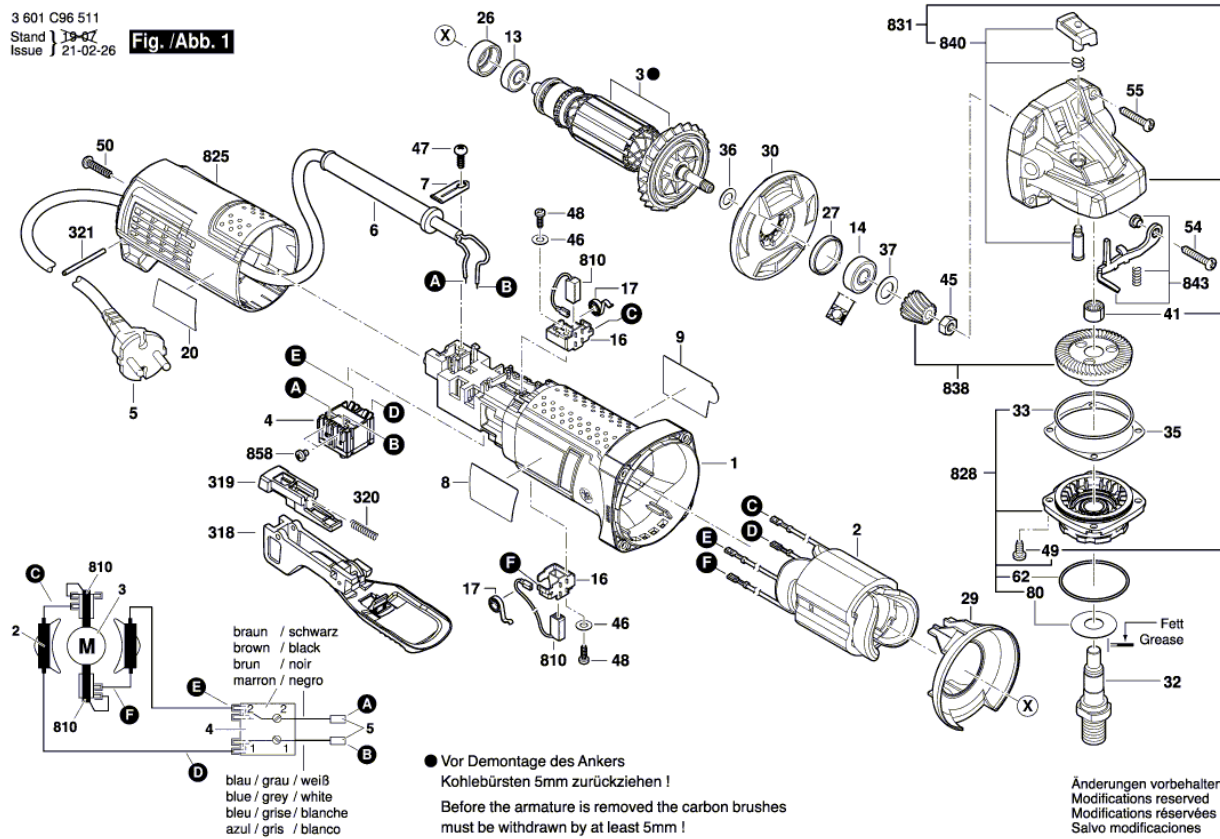
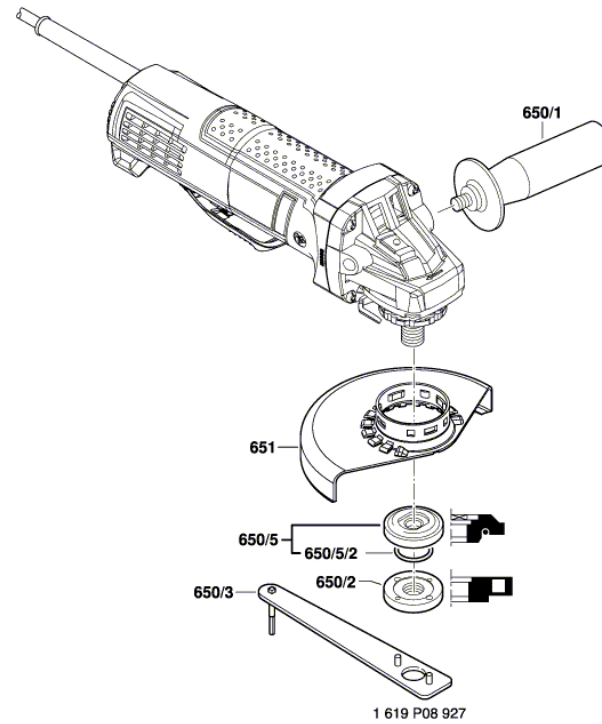


Illustration - Type - E

3 601 C96 511  
Stand } 19-01-09 **Fig. /Abb. 2**  
Issue }



Änderungen vorbehalten  
Modifications reserved  
Modifications réservées  
Salvo modificaciones

