



**BOSCH**

# Angle Grinder

GWS 11-125 | 3 601 G92 030

---

## Table of Content

Spare parts list.....	2
Illustration - Type.....	4

Spare parts list

Item	Part Number	Description		
2	1 607 000 F06	Field		
3/13	2 600 905 032	Ball Bearing	7x19x6	
4	1 607 200 086	On-Off Switch		
5	1 604 460 401	Power supply cord	CH 230V 4,15m 2 x 1,0mm H05 RN-F	
7	1 601 302 017	Fastening Clamp		
9	1 601 118 L04	Manufacturer's nameplate	GWS 11-125	
12	1 607 328 074	Suppression Capacitor		
14	1 600 905 032	groove ball bearing	8x22x7	
24	1 605 500 279	Cover		
25	1 605 500 278	Housing Cover		
26	1 600 502 023	Intermediate Ring		
27	1 600 206 025	Rubber Ring		
29	1 600 591 025	Air-Deflector Ring		
30	1 600 591 050	Air Distributor		
32	1 607 000 D6A	Grinding Spindle		
33	1 600 210 035	O-Ring	46,0x1,1 MM	
35	1 600 136 013	Shim	0,1 MM	THICK
35	1 600 136 014	Shim	0,2 MM	THICK
35	1 600 136 015	Shim	0,3 MM	THICK
35	1 600 136 020	Shim	0,15 MM	THICK
40	1 600 119 011	Retaining clip		
41	1 600 200 029	Plain bearing		
45	1 603 300 016	Hex Nut	M7, SW10	
49	2 914 491 410	Thread-forming tap. Screw	M4x16	
50	2 603 490 023	Torx Oval-Head Screw	4x20	
52	1 604 448 013	Connecting Cable	L=90 MM	WHITE
53	1 603 435 078	Torx Oval-Head Screw		
54	1 603 414 026	Torx Oval-Head Screw	4x30	
55	2 603 490 021	Torx Oval-Head Screw	4x12	
80	1 619 P09 390	Cover Disc		
104	1 600 210 044	O-Ring	4,5x1,0 MM	BLUE
105	1 601 008 005	Insulating Plate		
301/1	1 605 108 288	Motor Housing		
301/17	1 604 652 021	Spiral Spring		

**Angle Grinder | GWS 11-125 | 3 601 G92 030****Spare parts list**

<b>Item</b>	<b>Part Number</b>	<b>Description</b>
301/18	1 602 026 088	Switch Handle
301/19	1 604 611 026	Compression Spring
301/20	1 602 319 011	Adjusting Slide
301/48	1 613 435 034	Lens Head Screw 3x10 ST
343	1 607 000 742	Catch Lever
343/44	1 604 611 042	Compression Spring
803	1 607 000 V51	Armature With Fan 230V
806	1 600 703 043	Grommet
808	1 601 11A 3H3	Nameplate
810	1 607 000 V53	Carbon-Brush Set
816	1 607 000 V54	Brush Holder
818	2 910 110 048	Pan head screw DIN 85-AM3x6-CUZN
821	1 607 000 V55	Gear Housing
828	1 607 000 D6C	Bearing Flange
828/04	3 600 210 109	O-Ring 47,0x1,5 MM
835	1 606 610 132	Fan
838	1 607 000 D4Y	Gear Unit
840	1 607 000 V41	Push-Button
650/1	1 602 025 0A0	Auxiliary Handle
650/2	1 603 345 043	Round Nut M14
650/3	1 607 950 052	Pin-Type Face-Wrench
650/5	2 605 703 014	Clamping Flange Ø22,3xØ42 MM
650/5/2	1 600 210 039	O-Ring 20,35x1,78 MM
651	1 600 A02 5XR	Protective Cover
891	1 602 025 09T	Auxiliary Handle
896	1 600 A01 6PP	Fast Locking Flange

Illustration - Type - E

3 601 G90 000  
 Stand } 12  
 Issue } 19-08-27

Fig./Abb. 1

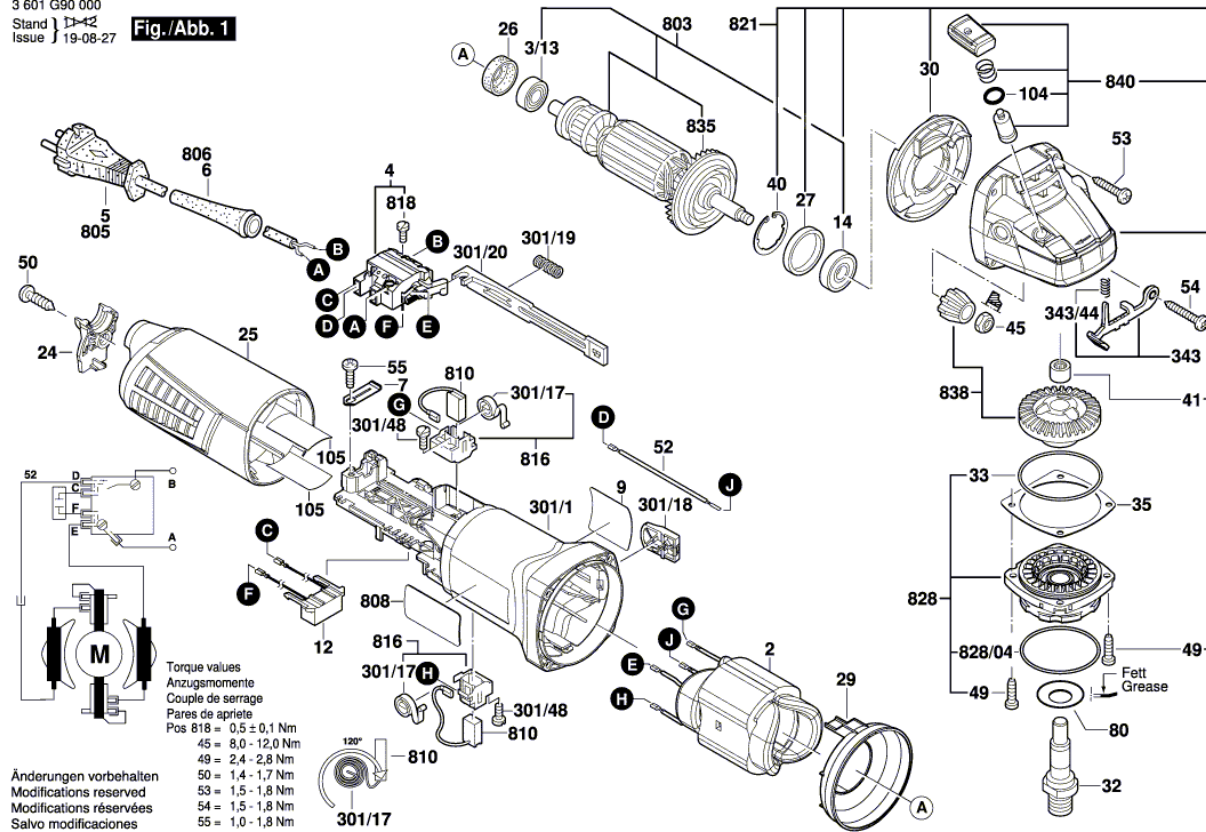


Illustration - Type - E

3 601 G90 000

Stand } 11-09  
Issue } 14-03-27

Fig./Abb. 2

