

Illustration - Type E

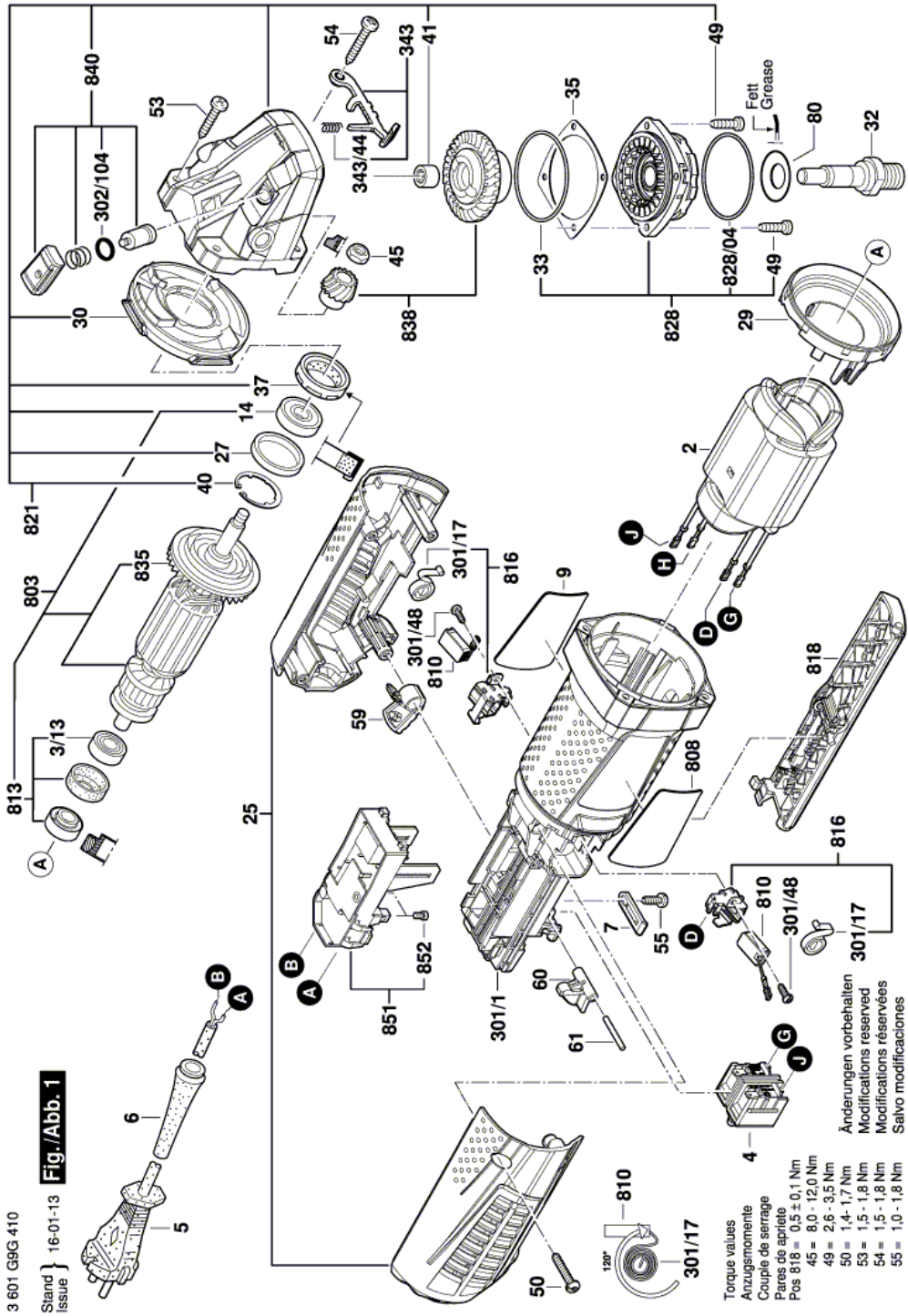
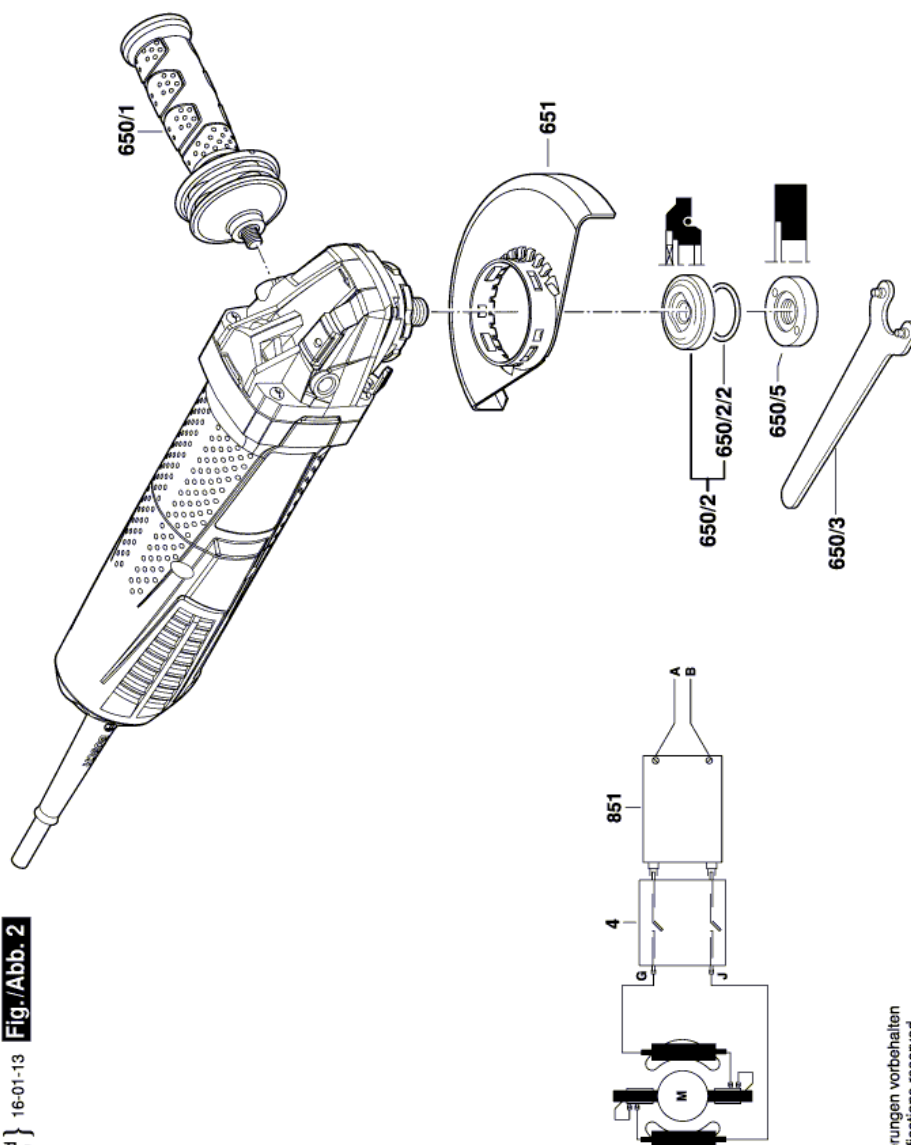


Illustration - Type E



3 601 G9G 410

Stand } 16-01-13 **Fig./Abb. 2**
 Issue }

Änderungen vorbehalten
 Modifications reserved
 Modifications réservées
 Salvo modificaciones

Information subject to change without further notice.

Angle Grinder - 3 601 G9G 410 - GWS 13-50 P

www.powertools-aftersaleservice.com



BOSCH

| Item | Part Number | Description | Illustration | Price | Quantity | Price Group |
|--------|------------------|--|--------------|-------|----------|-------------|
| | 2 1 604 220 479 | Field 110-127V | | 1 | -,- | 1 33 |
| 3/13 | 2 600 905 032 | groove ball bearing 7x19x6 | | 1 | -,- | 1 17 |
| | 4 1 607 200 256 | Switch | | 1 | -,- | 1 24 |
| | 5 1 604 460 336 | Power supply cord USA/CAN/SMA 2,68m 2 x 1,31mm SJ 16/2 | | 1 | -,- | 1 26 |
| | 6 1 600 703 043 | Grommet | | 1 | -,- | 1 13 |
| | 7 1 601 302 017 | Fastening Clamp | | 1 | -,- | 1 10 |
| | 9 1 601 11C 0KE | Manufacturer's nameplate GWS 13-50 PD | | 1 | -,- | 1 - |
| | 14 1 600 905 032 | groove ball bearing 8x22x7 | | 1 | -,- | 1 18 |
| | 25 1 605 108 29A | Housing Section | | 1 | -,- | 1 22 |
| | 27 1 600 206 025 | Rubber Ring | | 1 | -,- | 1 12 |
| | 29 1 600 591 047 | Air-Deflector Ring | | 1 | -,- | 1 12 |
| | 30 1 600 591 048 | Air Distributor | | 1 | -,- | 1 14 |
| | 32 1 603 523 122 | Grinding Spindle 5/8" | | 1 | -,- | 1 33 |
| | 33 1 600 210 035 | O-Ring 46,0x1,1 MM | | 1 | -,- | 1 11 |
| | 35 1 600 136 013 | Shim 0,1 MM THICK | | 1 | -,- | 1 13 |
| | 35 1 600 136 014 | Shim 0,2 MM THICK | | 1 | -,- | 1 13 |
| | 35 1 600 136 015 | Shim 0,3 MM THICK | | 1 | -,- | 1 13 |
| | 35 1 600 136 020 | Shim 0,15 MM THICK | | 1 | -,- | 1 13 |
| | 37 1 600 290 016 | Rotary shaft lip seal | | 1 | -,- | 1 12 |
| | 40 1 600 119 011 | Spring retaining ring | | 1 | -,- | 1 11 |
| | 41 1 600 200 029 | Plain bearing | | 1 | -,- | 1 14 |
| | 45 1 603 300 016 | Hex Nut M7, SW10 | | 1 | -,- | 1 11 |
| | 49 2 914 491 410 | Thread-forming tap. Screw M4x16 | | 1 | -,- | 4 10 |
| | 50 1 603 435 078 | Torx Oval-Head Screw | | 1 | -,- | 1 10 |
| | 53 1 603 435 078 | Torx Oval-Head Screw | | 1 | -,- | 3 10 |
| | 54 1 603 414 026 | Torx Oval-Head Screw 4x30 | | 1 | -,- | 1 10 |
| | 55 2 603 490 021 | Torx Oval-Head Screw 4x12 | | 1 | -,- | 3 10 |
| | 59 1 602 002 015 | Locking Lever | | 1 | -,- | 1 10 |
| | 60 1 602 026 095 | Reverse-Transfer Lever | | 1 | -,- | 1 10 |
| | 61 2 917 890 086 | Straight Pin | | 1 | -,- | 1 10 |
| | 80 3 600 150 021 | Sealing disk | | 1 | -,- | 1 13 |
| 301/1 | 1 605 108 291 | Motor Housing | | 1 | -,- | 1 27 |
| 301/17 | 1 604 652 021 | Spiral Spring | | 1 | -,- | 2 10 |

| Item | Part Number | Description | Illustration | Price | Quantity | Price Group |
|---------|---------------|-------------------------------------|--------------|-------|----------|-------------|
| 301/48 | 1 613 435 034 | Lens Head Screw 3x10 ST | 1 | -,- | 2 | 10 |
| 302/104 | 1 600 210 044 | O-Ring 4,5x1,0 MM BLUE | 1 | -,- | 1 | 10 |
| 343 | 1 607 000 742 | Catch Lever | 1 | -,- | 1 | 20 |
| 343/44 | 1 604 611 042 | Compression Spring | 1 | -,- | 1 | 10 |
| 650/1 | 1 602 025 052 | Auxiliary Handle M10 ANTI-VIBRATION | 2 | -,- | 1 | 31 |
| 650/2 | 1 605 703 140 | Clamping-Flange | 2 | -,- | 1 | 21 |
| 650/3 | 1 607 950 052 | Pin-Type Face-Wrench | 2 | -,- | 1 | 15 |
| 650/5 | 3 603 340 503 | Round Nut 5/8" | 2 | -,- | 1 | 28 |
| 650/2/2 | 1 600 210 253 | O-Ring | 2 | -,- | 1 | 12 |
| 651 | 1 605 510 378 | Protective Cover Ø125 MM | 2 | -,- | 1 | 28 |
| 803 | 1 607 000 V65 | Armature 120V | 1 | -,- | 1 | 44 |
| 808 | 1 601 11A 20X | Nameplate | 1 | -,- | 1 | - |
| 810 | 1 607 000 V61 | Carbon-Brush Set | 1 | -,- | 1 | 26 |
| 813 | 1 607 000 V38 | groove ball bearing | 1 | -,- | 1 | 20 |
| 816 | 1 607 000 V43 | Brush Holder | 1 | -,- | 2 | 15 |
| 818 | 1 607 000 505 | Switch-Pawl | 1 | -,- | 1 | 22 |
| 821 | 1 607 000 V40 | Gear Housing | 1 | -,- | 1 | 34 |
| 828 | 1 607 000 448 | Bearing Flange | 1 | -,- | 1 | 26 |
| 828/04 | 3 600 210 109 | O-Ring 47,0x1,5 MM | 1 | -,- | 1 | 11 |
| 835 | 1 606 610 132 | Fan | 1 | -,- | 1 | 12 |
| 838 | 1 600 A00 22W | Gear Unit | 1 | -,- | 1 | 31 |
| 840 | 1 607 000 V41 | Push-Button | 1 | -,- | 1 | 16 |
| 851 | 1 607 233 478 | Speed governor | 1 | -,- | 1 | 42 |
| 852 | 1 607 000 V42 | Pan head screw | 1 | -,- | 1 | 10 |