

Illustration - Type E

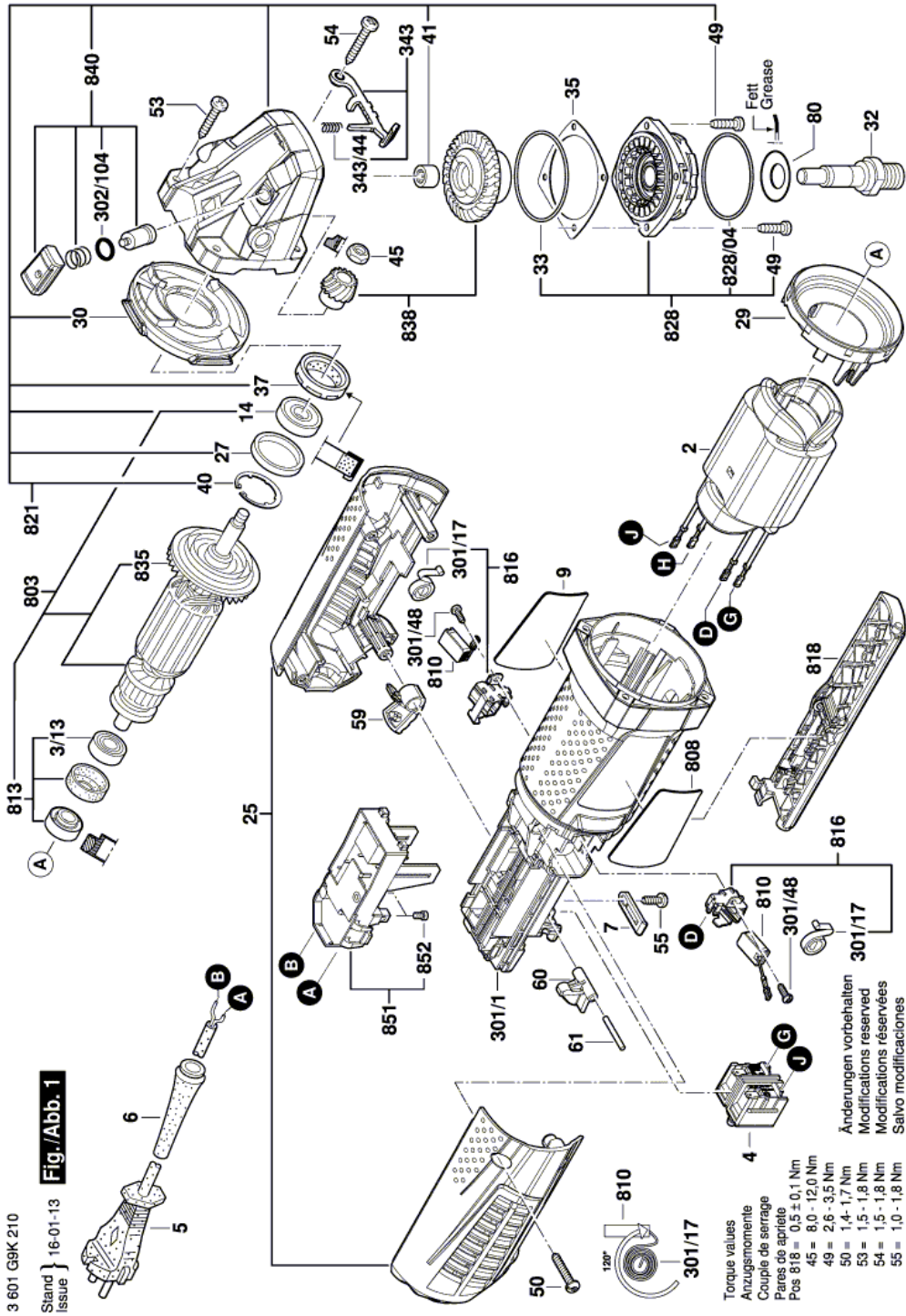
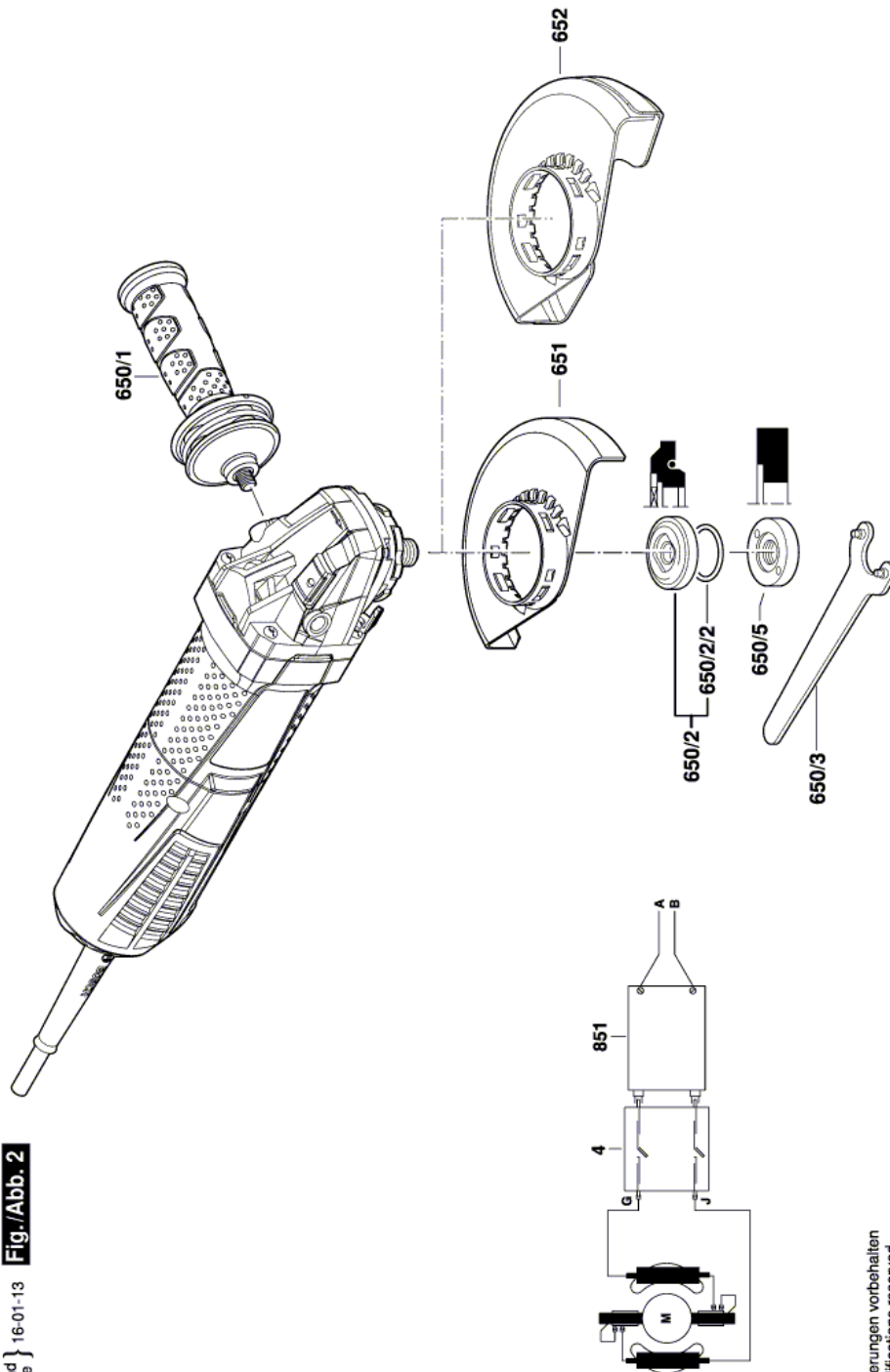


Illustration - Type E



3 601 G9K 210

Stand } 16-01-13 **Fig./Abb. 2**
 Issue }

Änderungen vorbehalten
 Modifications reserved
 Modificacions reservées
 Salvo modificaciones

Information subject to change without further notice.

Angle Grinder - 3 601 G9K 210 - GWS 13-60 PD

www.powertools-aftersaleservice.com



BOSCH

Item	Part Number	Description	Illustration	Price	Quantity	Price Group
	2 1 604 220 479	Field 110-127V	1	-,-	1	33
3/13	2 600 905 032	groove ball bearing 7x19x6	1	-,-	1	17
	4 1 607 200 256	Switch	1	-,-	1	24
	5 1 604 460 336	Power supply cord USA/CAN/SMA 2,68m 2 x 1,31mm SJ 16/2	1	-,-	1	26
	6 1 600 703 043	Grommet	1	-,-	1	13
	7 1 601 302 017	Fastening Clamp	1	-,-	1	10
	9 1 601 11C OKK	Manufacturer's nameplate GWS 13-60 PD	1	-,-	1	-
	14 1 600 905 032	groove ball bearing 8x22x7	1	-,-	1	18
	25 1 605 108 29A	Housing Section	1	-,-	1	22
	27 1 600 206 025	Rubber Ring	1	-,-	1	12
	29 1 600 591 047	Air-Deflector Ring	1	-,-	1	12
	30 1 600 591 048	Air Distributor	1	-,-	1	14
	32 1 603 523 122	Grinding Spindle 5/8"	1	-,-	1	33
	33 1 600 210 035	O-Ring 46,0x1,1 MM	1	-,-	1	11
	35 1 600 136 013	Shim 0,1 MM THICK	1	-,-	1	13
	35 1 600 136 014	Shim 0,2 MM THICK	1	-,-	1	13
	35 1 600 136 015	Shim 0,3 MM THICK	1	-,-	1	13
	35 1 600 136 020	Shim 0,15 MM THICK	1	-,-	1	13
	37 1 600 290 016	Rotary shaft lip seal	1	-,-	1	12
	40 1 600 119 011	Spring retaining ring	1	-,-	1	11
	41 1 600 200 029	Plain bearing	1	-,-	1	14
	45 1 603 300 016	Hex Nut M7, SW10	1	-,-	1	11
	49 2 914 491 410	Thread-forming tap. Screw M4x16	1	-,-	4	10
	50 1 603 435 078	Torx Oval-Head Screw	1	-,-	1	10
	53 1 603 435 078	Torx Oval-Head Screw	1	-,-	3	10
	54 1 603 414 026	Torx Oval-Head Screw 4x30	1	-,-	1	10
	55 2 603 490 021	Torx Oval-Head Screw 4x12	1	-,-	3	10
	59 1 600 591 054	Plug	1	-,-	1	10
	60 1 602 026 095	Reverse-Transfer Lever	1	-,-	1	10
	61 2 917 890 086	Straight Pin	1	-,-	1	10
	80 3 600 150 021	Sealing disk	1	-,-	1	13
301/1	1 605 108 291	Motor Housing	1	-,-	1	27
301/17	1 604 652 021	Spiral Spring	1	-,-	2	10

Item	Part Number	Description	Illustration	Price	Quantity	Price Group
301/48	1 613 435 034	Lens Head Screw 3x10 ST	1	-,-	2	10
302/104	1 600 210 044	O-Ring 4,5x1,0 MM BLUE	1	-,-	1	10
343	1 607 000 742	Catch Lever	1	-,-	1	20
343/44	1 604 611 042	Compression Spring	1	-,-	1	10
650/1	1 602 025 052	Auxiliary Handle M10 ANTI-VIBRATION	2	-,-	1	31
650/2	1 605 703 140	Clamping-Flange	2	-,-	1	21
650/3	1 607 950 052	Pin-Type Face-Wrench	2	-,-	1	15
650/5	3 603 340 503	Round Nut 5/8"	2	-,-	1	28
650/2/2	1 600 210 253	O-Ring	2	-,-	1	12
651	1 605 510 379	Protective Cover Ø150 MM	2	-,-	1	28
652	1 605 510 382	Protective Cover Ø 150 MM	2	-,-	1	28
803	1 607 000 V66	Armature 120V	1	-,-	1	46
808	1 601 11A 212	Nameplate	1	-,-	1	-
810	1 607 000 V61	Carbon-Brush Set	1	-,-	1	26
813	1 607 000 V38	groove ball bearing	1	-,-	1	20
816	1 607 000 V43	Brush Holder	1	-,-	2	15
818	1 607 000 505	Switch-Pawl	1	-,-	1	22
821	1 607 000 V40	Gear Housing	1	-,-	1	34
828	1 607 000 449	Bearing Flange	1	-,-	1	28
828/04	3 600 210 109	O-Ring 47,0x1,5 MM	1	-,-	1	11
835	1 606 610 132	Fan	1	-,-	1	12
838	1 607 000 A4P	Set Of Gearwheels	1	-,-	1	33
840	1 607 000 V41	Push-Button	1	-,-	1	16
851	1 607 233 478	Speed governor	1	-,-	1	42
852	1 607 000 V42	Pan head screw	1	-,-	1	10