



BOSCH

Angle Grinder

GWS 14-150 CI | 3 601 H26 080

Table of Content

Spare parts list.....	2
Illustration - Type.....	4

Angle Grinder | GWS 14-150 CI | 3 601 H26 080

Spare parts list

Item	Part Number	Description		
1	1 605 108 249	Motor Housing	DARK BLUE	
4	1 607 200 200	Switch		
5	1 614 460 073	Power supply cord	CN 4,15m 2 x 1,0mm	
		H07 RN-F		
6	1 600 703 040	Grommet		
7	1 601 302 017	Fastening Clamp		
9	1 619 P31 102	Manufacturer's nameplate		
13	2 600 905 032	Ball Bearing	7x19x6	
14	1 600 905 032	groove ball bearing	8x22x7	
16	1 601 323 025	Brush Holder		
17	1 604 652 013	Spiral Spring		
18	1 619 P09 870	Switch Handle		
19	1 604 611 026	Compression Spring		
20	1 602 319 011	Adjusting Slide		
24	1 605 500 228	Cover	BLUE	
27	1 600 206 025	Rubber Ring		
27	1 605 500 251	Housing Cover	DARK BLUE	
29	1 600 591 025	Air-Deflector Ring		
30	1 600 591 014	Air-Deflector Ring		
33	1 600 210 035	O-Ring	46,0x1,1 MM	
35	1 600 136 013	Shim	0,1 MM	THICK
35	1 600 136 014	Shim	0,2 MM	THICK
35	1 600 136 015	Shim	0,3 MM	THICK
35	1 600 136 020	Shim	0,15 MM	THICK
37	1 600 290 016	Rotary shaft lip seal		
40	1 600 119 011	Retaining clip		
41	1 600 200 029	Plain bearing		
44	1 604 611 042	Compression Spring		
45	1 603 300 016	Hex Nut	M7, SW10	
47	2 912 401 018	Tapping Screw	DIN7981-ST3,9x13-C-Z	
48	2 912 401 005	Tapping Screw	DIN7981-ST2,9x9,5C-Z	
49	1 619 P07 559	Thread-forming tap. Screw		
50	2 912 401 420	Tapping Screw	DIN7981-ST3,9x19-F-Z	
53	1 603 415 005	Oval-Head Screw		
54	2 603 490 025	Torx Oval-Head Screw	4x30	

Angle Grinder | GWS 14-150 CI | 3 601 H26 080

Spare parts list

Item	Part Number	Description
80	1 619 P09 390	Cover Disc
104	1 600 210 044	O-Ring 4,5x1,0 MM BLUE
105	1 601 008 005	Insulating Plate
107	1 600 712 030	Insulating Part
802	1 607 000 397	Field 220-240V
803	1 604 010 A23	Armature With Fan 230V
808	1 619 P02 351	Nameplate
810	1 607 014 176	Carbon-Brush Set
813	1 607 000 378	Parts Set
821	1 605 806 5SB	Gear Housing
828	1 607 000 D6D	Bearing Flange
828/04	3 600 210 109	O-Ring 47,0x1,5 MM
831	1 601 290 013	Spring Element
832	1 619 P15 212	Grinding Spindle
835	1 606 610 132	Fan
838	1 607 000 D4Z	Gear Unit
840	1 607 000 A71	Push-Button
843	1 607 000 742	Catch Lever
851	1 607 233 293	Speed governor 220-240V
857	2 910 110 048	Pan head screw DIN 85-AM3x6-CUZN
860	1 604 448 023	Connecting Cable
651	1 600 A02 5XT	Protective Cover
890	1 600 210 039	O-Ring 20,35x1,78 MM
891	1 602 025 09T	Auxiliary Handle
891	1 602 025 0A0	Auxiliary Handle
892	1 603 345 043	Round Nut M14
893	1 607 950 052	Pin-Type Face-Wrench
895	2 605 703 014	Clamping Flange Ø22,3xØ42 MM
896	1 600 A01 6PP	Fast Locking Flange

Illustration - Type - E

3 601 H24 080

Stand } 16-05
Issue } 21-10-15 **Fig./Abb. 1**

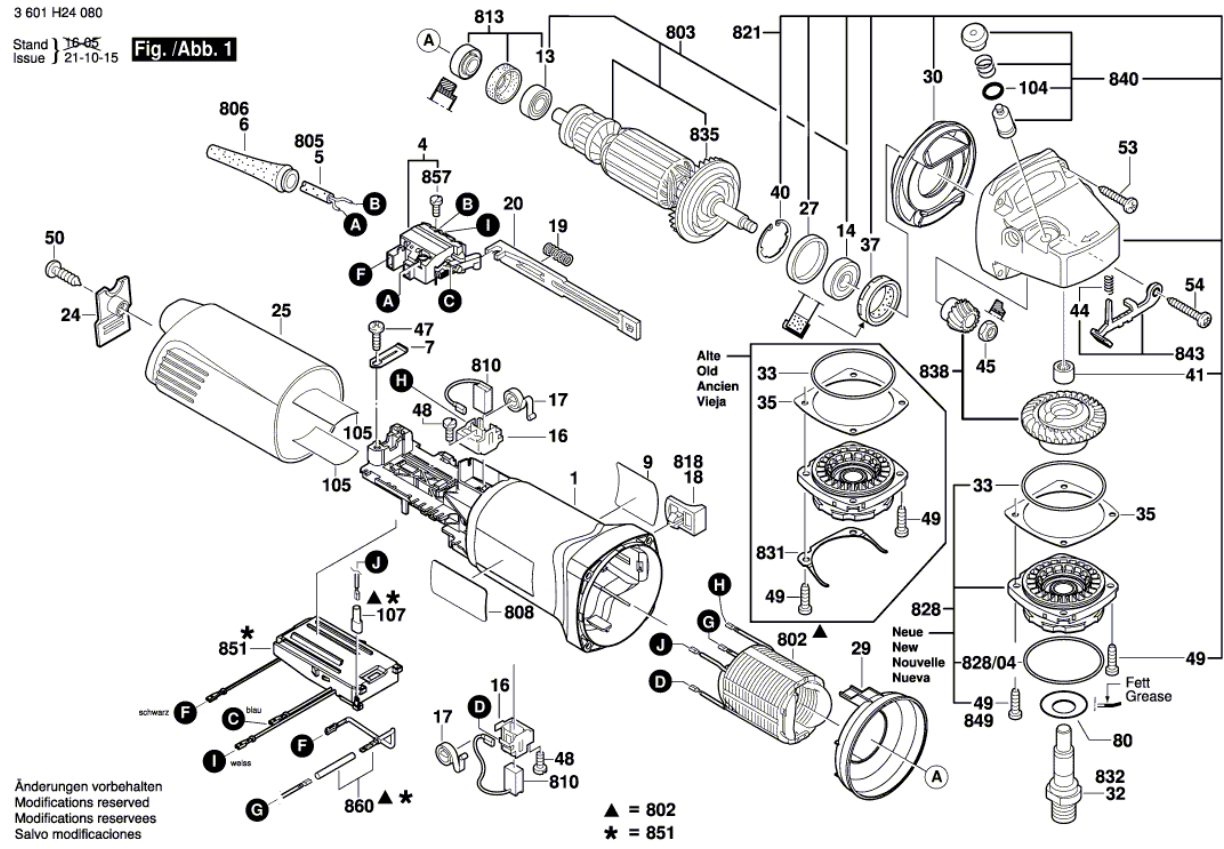
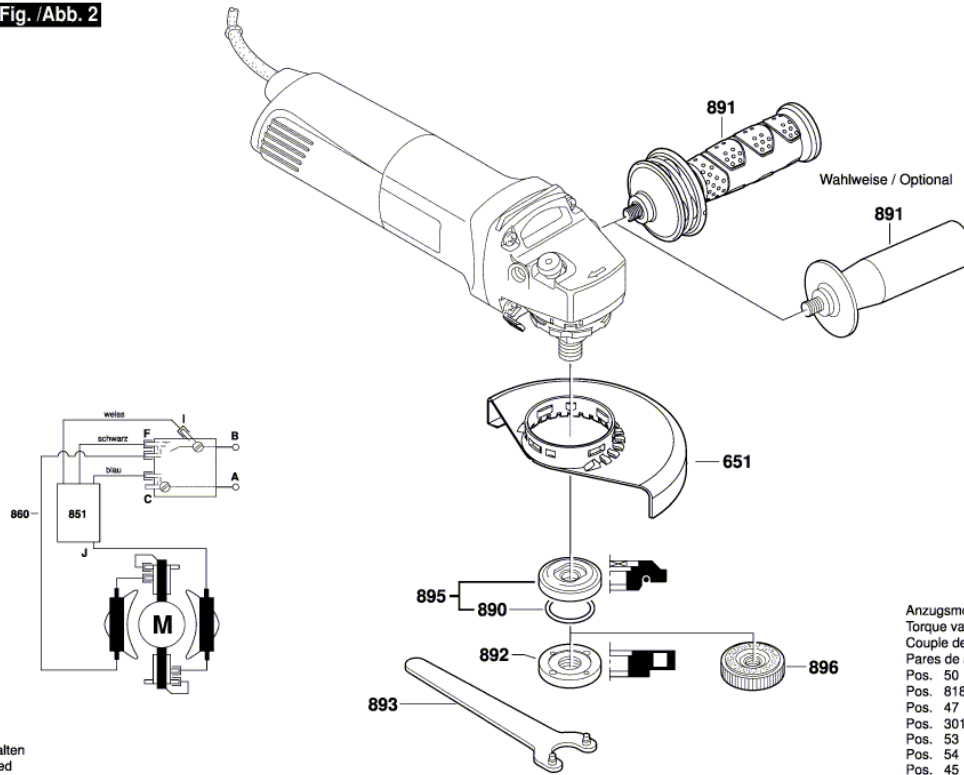


Illustration - Type - E

3 601 H24 080

Stand | 12-12
Issue | 22-04-11 **Fig. /Abb. 2**



Anzugsmomente
Torque values
Couple de serrage
Pares de apriete

Pos. 50	= 1,4 - 1,7 Nm
Pos. 818	= 0,4 - 0,6 Nm
Pos. 47	= 1,0 - 1,8 Nm
Pos. 301/48	= 0,8 - 1,1 Nm
Pos. 53	= 1,5 - 1,8 Nm
Pos. 54	= 1,8 - 1,8 Nm
Pos. 45	= 8 - 12 Nm
Pos. 49	= 2,4 - 2,8 Nm

Änderungen vorbehalten
Modifications reserved
Modifications reserves
Salvo modificaciones