



BOSCH

Angle Grinder

GWS 18-150 L | 3 601 GA5 080

Table of Content

Spare parts list.....	2
Illustration - Type.....	4

Angle Grinder | GWS 18-150 L | 3 601 GA5 080

Spare parts list

Item	Part Number	Description
2	1 604 220 56P	Field
3/13	2 600 905 032	Ball Bearing 7x19x6
7	2 601 035 001	Cable Clip
9	1 601 11C 2ET	Manufacturer's nameplate
22	1 605 500 260	Covering hood
25	1 605 132 010	Handle Cover BLUE
26	1 600 206 036	Rubber Ring
29	1 600 591 025	Air-Deflector Ring
33	1 600 210 035	O-Ring 46,0x1,1 MM
35	1 600 136 013	Shim 0,1 MM THICK
35	1 600 136 014	Shim 0,2 MM THICK
35	1 600 136 015	Shim 0,3 MM THICK
35	1 600 136 020	Shim 0,15 MM THICK
45	1 603 300 016	Hex Nut M7, SW10
47	2 603 490 022	Screw 4x16
49	1 603 435 08X	Thread-forming tap. Screw M4x16-St w/ Precote 85-3
50	2 603 490 023	Torx Oval-Head Screw 4x20
53	1 603 435 078	Torx Oval-Head Screw
54	1 603 414 026	Torx Oval-Head Screw 4x30
108	1 600 A00 XC4	Cover
109	1 605 500 263	Cover BLACK
301/1	1 605 108 2DR	Motor Housing
301/17	1 604 652 021	Spiral Spring
301/18	1 600 A00 XC7	Adjusting Slide
301/19	1 604 611 041	Compression Spring
301/20	3 604 611 039	Compression Spring
301/48	1 613 435 034	Lens Head Screw 3x10 ST
304/5	1 614 460 088	Power supply cord H07 RN-F CN 4,15m 2 x 1,0mm
304/56	1 603 415 004	Lens Head Screw
304/6	1 600 703 040	Grommet
321/104	1 600 210 044	O-Ring 4,5x1,0 MM BLUE
321/14	1 600 905 032	groove ball bearing 8x22x7
321/27	1 600 206 025	Rubber Ring
321/30	1 600 591 014	Air-Deflector Ring

Spare parts list

Item	Part Number	Description
321/37	1 600 290 016	Rotary shaft lip seal
321/40	1 600 119 011	Retaining clip
321/41	1 600 200 029	Plain bearing
343	1 607 000 742	Catch Lever
343/44	1 604 611 042	Compression Spring
803	1 604 010 B99	Armature
804	1 607 000 D16	On-Off Switch
808	1 601 11A 3H3	Nameplate
810	1 604 321 186	Carbon Brush
813	1 607 000 378	Parts Set
816	1 607 000 V54	Brush Holder
821	1 607 000 D1F	Gear Housing
828	1 607 000 D63	Bearing Flange
828/04	3 600 210 109	O-Ring 47,0x1,5 MM
835	1 606 610 132	Fan
840	1 603 231 032	Push-Button
851	1 607 233 5M7	Speed governor
852	1 604 448 025	Connecting Cable
651	1 600 A02 5XT	Protective Cover
890	1 600 210 039	O-Ring 20,35x1,78 MM
891	1 602 025 09T	Auxiliary Handle
891	1 602 025 0A0	Auxiliary Handle
892	1 603 345 043	Round Nut M14
893	1 607 950 052	Pin-Type Face-Wrench
895	2 605 703 014	Clamping Flange Ø22,3xØ42 MM
896	1 600 A01 6PP	Fast Locking Flange

Illustration - Type - E

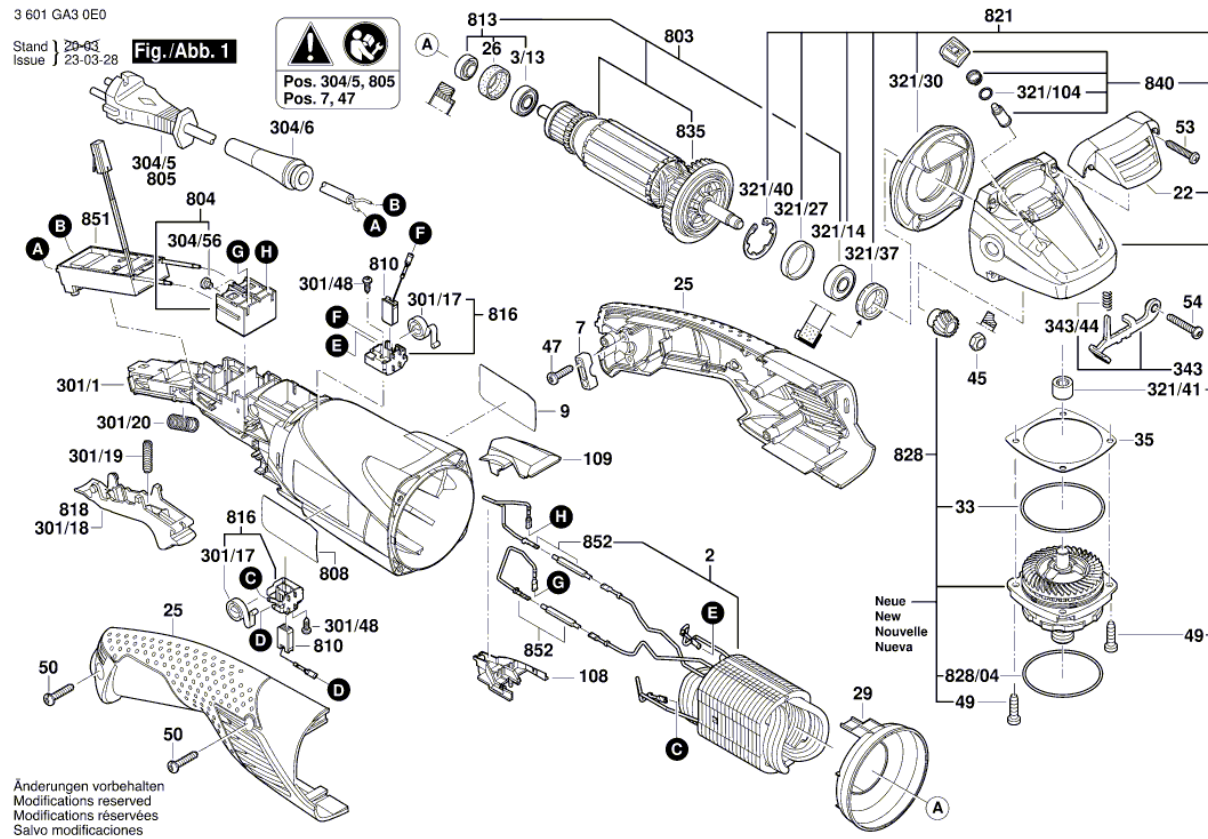
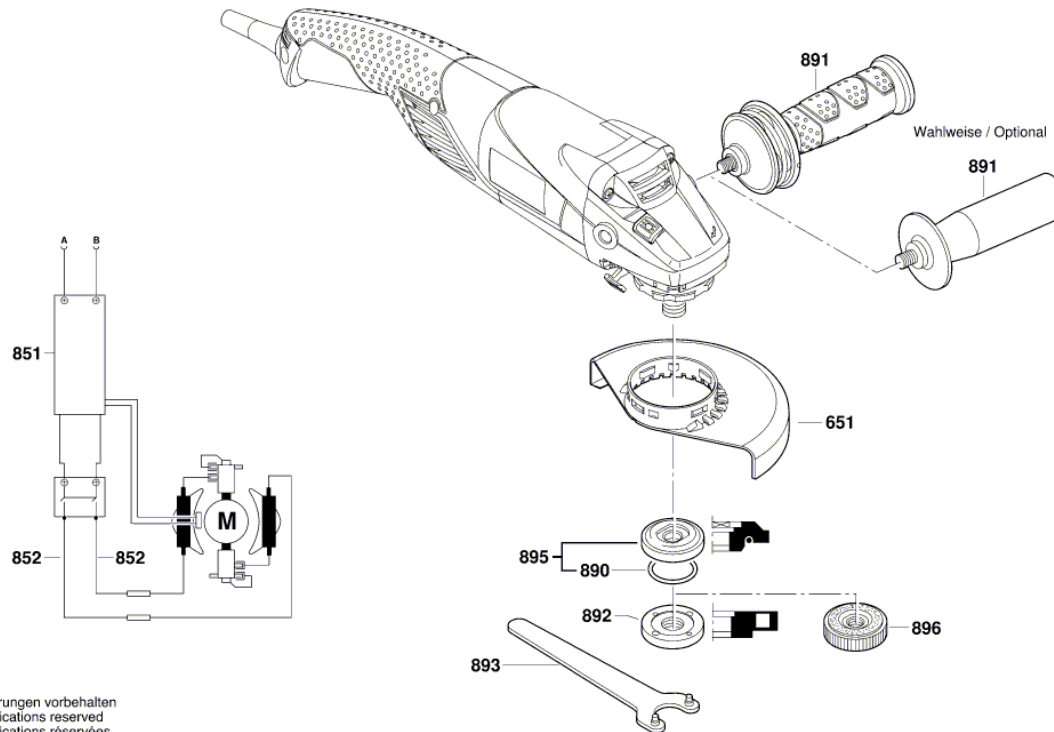


Illustration - Type - E

3 601 GA3 0E0

Stand } 20-03-31 **Fig. /Abb. 2**
Issue }



Änderungen vorbehalten
Modifications reserved
Modifications réservées
Sinvo modificaciones