



BOSCH

Cordless Angle Grinder

GWS 180-LI | 3 601 JH9 080

Table of Content

Spare parts list.....	2
Illustration - Type.....	4

Spare parts list

Item	Part Number	Description
1	1 619 P15 044	Motor Housing
2	1 600 A01 A6N	Stator
3	1 600 A01 A6S	Rotor
5	1 619 P15 054	Fan
6	1 619 P16 509	Air-Deflector Ring
8	1 619 P15 789	Nameplate
9	1 619 P15 781	Manufacturer's nameplate
15	1 600 206 025	Rubber Ring
18	1 619 P15 338	Switch Handle
20	1 619 P15 050	Adjusting Slide
28/1	1 619 P07 440	Ball Bearing
28/3	2 916 660 013	Retaining clip DIN 472-32x1,2 MM
32	1 603 523 111	Grinding Spindle M10, SW12
33	1 619 P02 820	O-Ring 44,0x1,0 MM
35	1 619 P02 821	Shim 0,1 MM
35	1 619 P02 822	Shim 0,2 MM
41	1 600 200 029	Plain bearing
46	1 609 280 477	Compression Spring
49	1 619 P11 118	Thread-forming tap. Screw
50	2 609 110 201	Torx Flat-Head Screw 3x16
51	1 600 A01 NC3	Electronics Module
54	2 603 490 025	Torx Oval-Head Screw 4x30
55	1 619 P01 066	Torx Oval-Head Screw 4x25
60	1 619 P15 795	Reverse-Transfer Lever
61	1 619 P15 806	Torsion Spring
62	1 600 210 038	O-Ring 38,0x1,5 MM
80	1 619 P09 390	Cover Disc
810	1 619 P16 236	Push Button
821	1 619 P16 237	Gear Housing
828	1 619 P11 098	Bearing Flange
838	1 619 P16 240	Gear Unit
839	1 619 P16 234	Bevel Gear Shaft
843	1 619 P11 076	Catch Lever
884	1 607 000 CA9	Filter Unit
650/1	1 619 P10 681	Auxiliary Handle

Spare parts list

Item	Part Number	Description
650/1	1 619 P16 111	Auxiliary Handle
650/2	1 619 P09 976	Round Nut With 2 Holes
650/30	2 609 110 015	Pin-Type Face-Wrench
650/5	1 619 P12 159	Clamping-Flange Ø22,3xØ42 MM
651	1 619 P14 537	Protective Cover
652	2 607 225 937	Charger CN GAL 1880 CV 220V/14,4-18V
652	2 607 226 267	Fast Charger CN GAL 18V-40
653	1 607 A35 0M0	Battery Pack GBA 18V 4.0Ah
653	2 607 337 069	Battery Pack BBS MR, 18V, 5,0 Ah 48 S
653	2 607 337 263	Battery Pack GBA 18V 6.0 AH
894	1 615 430 020	Grease Tube 225 ML
895	1 605 430 003	Grease Tube 225 ML

Illustration - Type - E

3 601 JH9 080
Stand | 22-04
Issue | 22-10-06

Fig./Abb. 1

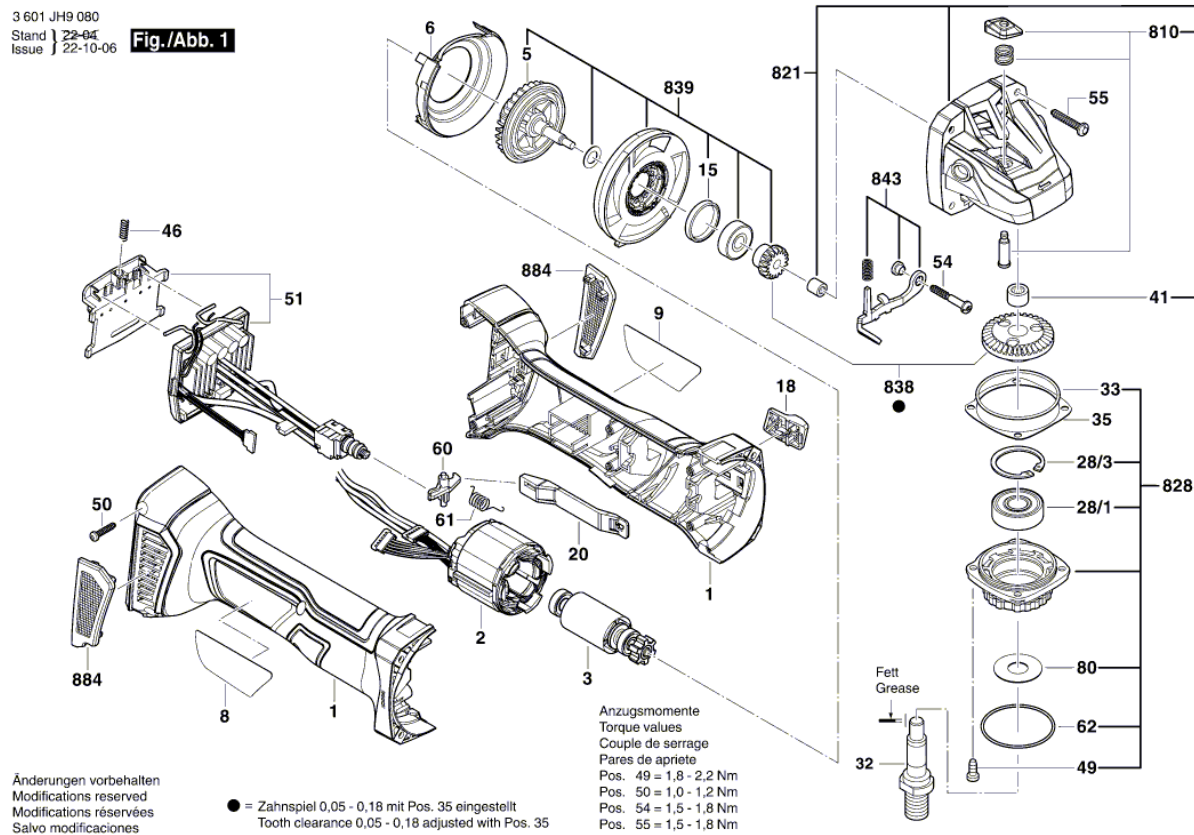
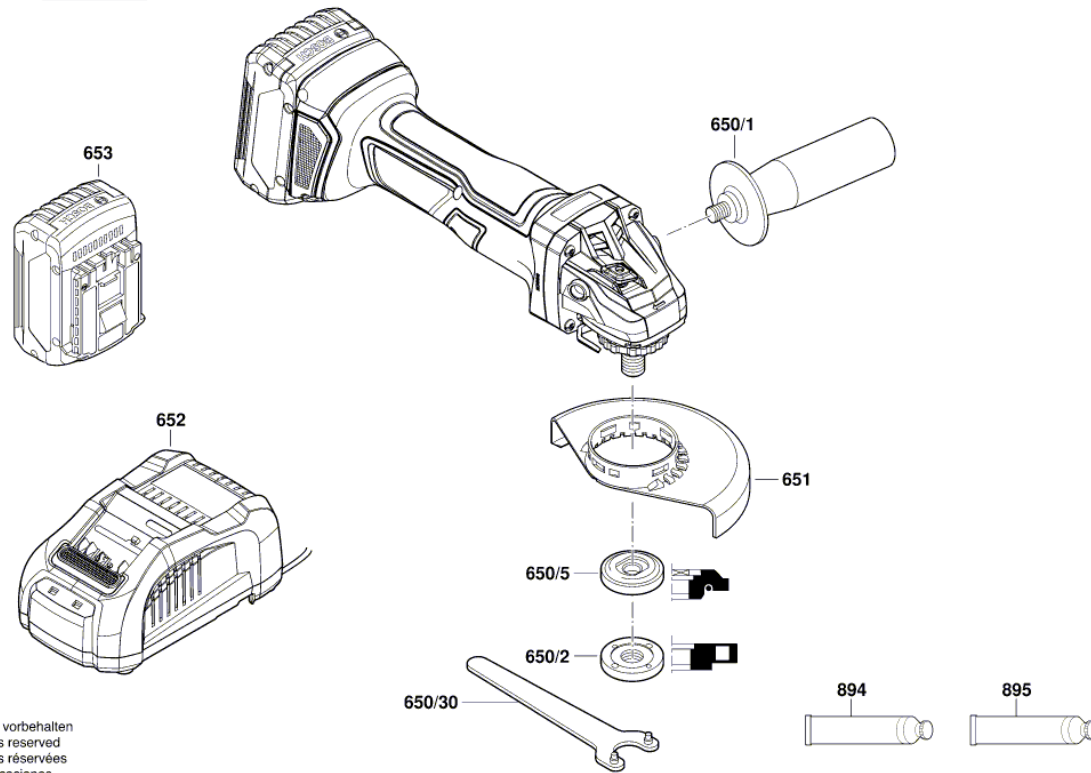


Illustration - Type - E

3 601 JH9 080
Stand } 20-09-21
Issue } **Fig. /Abb. 2**



Änderungen vorbehalten
Modifications reserved
Modifications réservées
Salvo modificaciones