



BOSCH

Cordless Angle Grinder

GWS 18V-10 | 3 601 JJ4 080

Table of Content

Spare parts list.....	2
Illustration - Type.....	4

Cordless Angle Grinder | GWS 18V-10 | 3 601 JJ4 080

Spare parts list

Item	Part Number	Description
1	1 619 P15 334	Motor Housing
4	2 607 202 328	Switch
5	1 619 P16 641	Fan
6	1 600 591 065	Air-Deflector Ring
9	1 619 P15 337	Manufacturer's nameplate
12	1 600 A00 RK2	Ferrite
17	1 600 100 P12	Cover
18	1 619 P15 338	Switch Handle
20	1 619 P16 511	Adjusting Slide
28	3 600 210 109	O-Ring 47,0x1,5 MM
32	1 603 523 111	Grinding Spindle M10, SW12
33	1 600 210 035	O-Ring 46,0x1,1 MM
35	1 600 136 013	Shim 0,1 MM THICK
35	1 600 136 014	Shim 0,2 MM THICK
35	1 600 136 015	Shim 0,3 MM THICK
35	1 600 136 020	Shim 0,15 MM THICK
36	1 610 100 023	Washer
45	1 619 P17 544	Hex Nut
46	1 609 280 477	Compression Spring
49	2 914 491 410	Thread-forming tap. Screw M4x16
50	2 609 110 201	Torx Flat-Head Screw 3x16
53	1 619 P01 066	Torx Oval-Head Screw 4x25
54	2 603 490 025	Torx Oval-Head Screw 4x30
60	1 600 A00 P18	Reverse-Transfer Lever
80	1 619 P09 390	Cover Disc
321/104	1 600 210 044	O-Ring 4,5x1,0 MM BLUE
321/14	1 619 P09 955	groove ball bearing
321/27	1 600 206 025	Rubber Ring
321/37	1 600 A00 P17	Holder
321/40	1 600 119 011	Retaining clip
321/41	1 600 200 029	Plain bearing
321/7	1 619 P16 508	Air Distributor
343	1 607 000 742	Catch Lever
343/44	1 604 611 042	Compression Spring
802	1 607 000 CA4	Motor

Spare parts list

Item	Part Number	Description
803	1 607 000 CA5	Bevel Gear Shaft
808	1 619 P15 473	Nameplate
821	1 607 000 CA6	Gear Housing
828	1 619 P15 775	Bearing Flange
838	1 607 000 CA8	Gear Unit
840	1 607 000 V41	Push-Button
851	1 619 P15 493	Electronics Module
884	1 607 000 CA9	Filter Unit
650/1	1 619 P10 681	Auxiliary Handle
650/2	1 619 P09 976	Round Nut With 2 Holes
650/3	1 619 P08 928	Pin-Type Face-Wrench
650/5	1 619 P12 159	Clamping-Flange Ø22,3xØ42 MM
651	1 600 A01 2JH	Protective Cover
652	2 607 225 937	Charger CN GAL 1880 CV 220V/14,4-18V
652	2 607 226 267	Fast Charger CN GAL 18V-40
653	1 607 A35 0M0	Battery Pack GBA 18V 4.0Ah
653	2 607 337 069	Battery Pack BBS MR, 18V, 5,0 Ah 48 S
653	2 607 337 263	Battery Pack GBA 18V 6.0 AH
894	1 615 430 020	Grease Tube 225 ML
895	1 605 430 003	Grease Tube 225 ML

Illustration - Type - E

3 601 JJ4 080
Stand | 19-10
Issue | 22-11-23

Fig. /Abb. 1

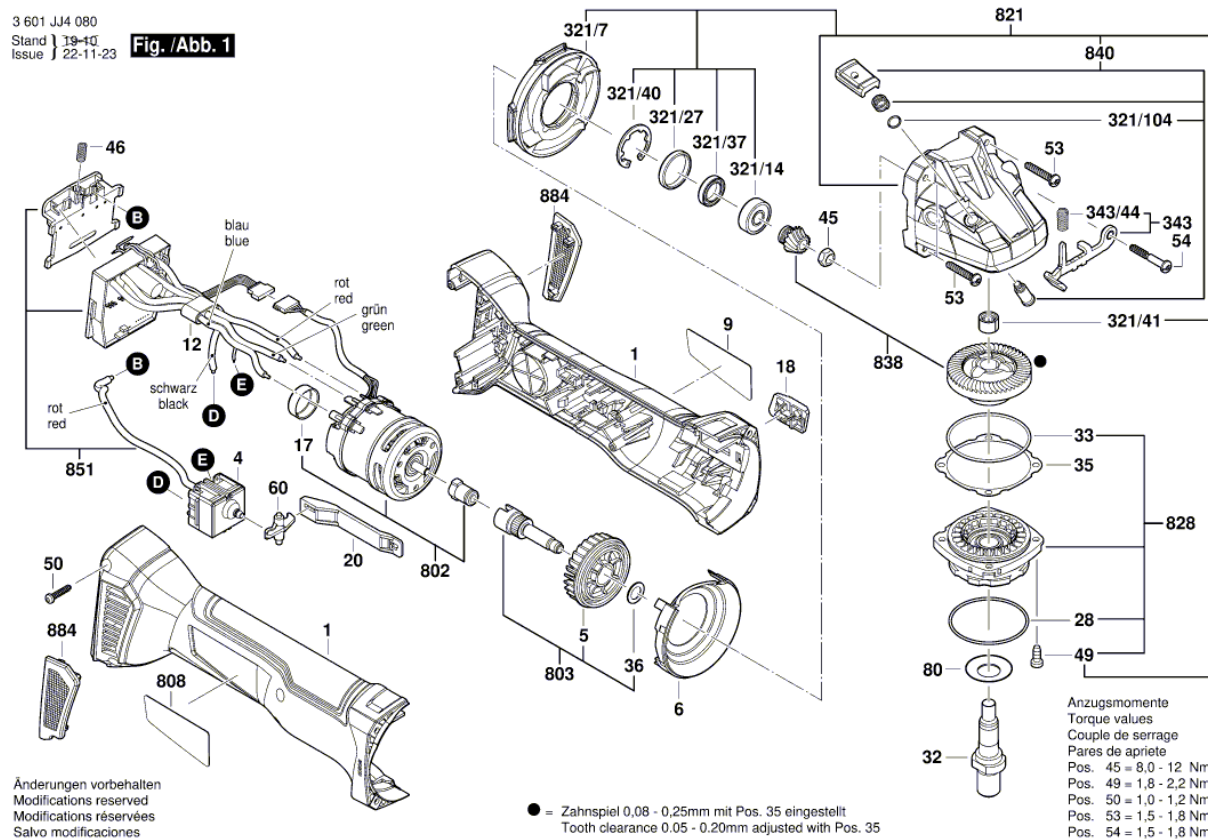
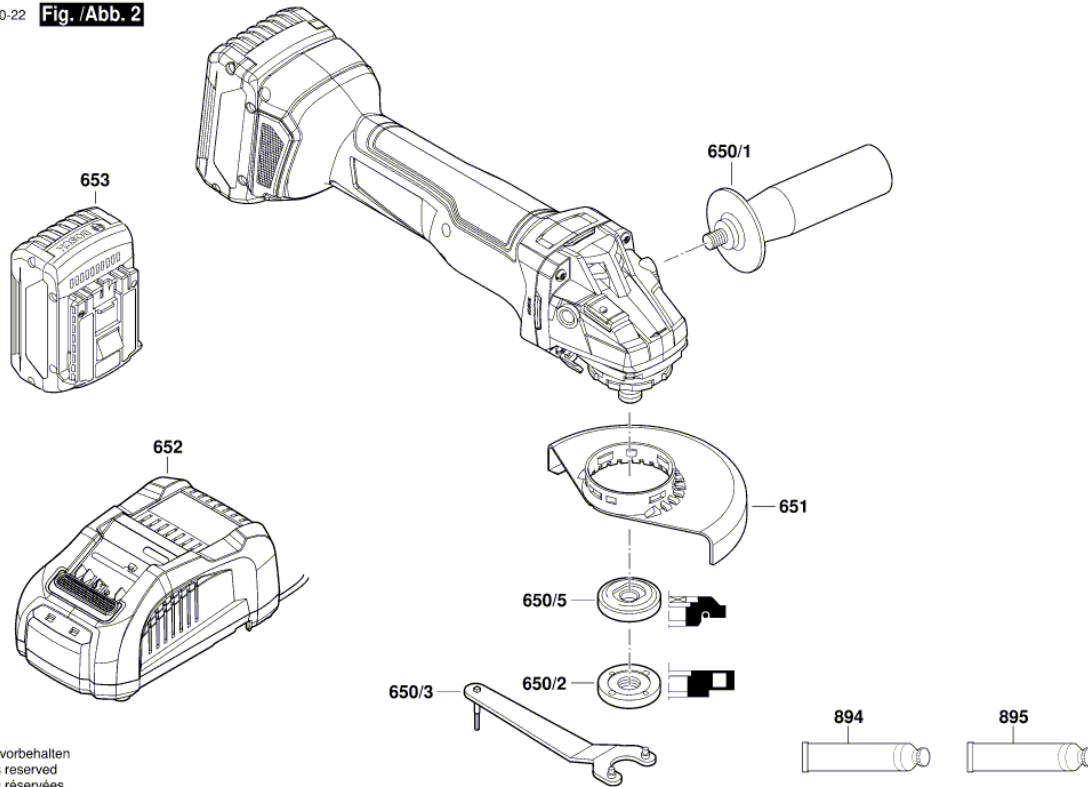


Illustration - Type - E

3 601 JJ4 080
Stand } 19-10-22
Issue } **Fig. /Abb. 2**



Änderungen vorbehalten
Modifications reserved
Modifications réservées
Salvo modificaciones