



**BOSCH**

# Cordless Angle Grinder

GWS18V-10P | 3 601 JJ4 112

---

## Table of Content

Spare parts list.....	2
Illustration - Type.....	4

# Cordless Angle Grinder | GWS18V-10P | 3 601 JJ4 112

## Spare parts list

Item	Part Number	Description	Illustration
1	1 619 P16 703	Motor Housing	1
4	2 607 202 328	Switch	1
5	1 619 P16 641	Fan	1
6	1 619 P16 509	Air-Deflector Ring	1
7	1 619 P16 508	Air Distributor	1
8	1 619 P17 519	Nameplate	1
9	1 619 P17 733	Manufacturer's nameplate	GWS18V-10P 1
12	1 600 A00 RK2	Ferrite	1
14	1 619 P09 955	groove ball bearing	1
17	1 600 100 P12	Cover	1
18	1 600 A00 R9F	Switch-Pawl	1
27	1 600 206 025	Rubber Ring	1
28	3 600 210 109	O-Ring	47,0x1,5 MM 1
33	1 619 P14 427	O-Ring	1
35	1 600 136 013	Shim	0,1 MM THICK 1
35	1 600 136 014	Shim	0,2 MM THICK 1
35	1 600 136 015	Shim	0,3 MM THICK 1
36	1 610 100 023	Washer	1
37	1 600 A00 P17	Holder	1
40	1 600 119 011	Retaining clip	1
41	1 600 200 029	Plain bearing	1
44	1 604 611 042	Compression Spring	1
45	1 619 P17 544	Hex Nut	1
46	1 609 280 477	Compression Spring	1
49	2 914 491 410	Thread-forming tap. Screw	M4x16 1
50	2 609 110 201	Torx Flat-Head Screw	3x16 1
53	1 619 P01 066	Torx Oval-Head Screw	4x25 1
54	2 603 490 025	Torx Oval-Head Screw	4x30 1
60	1 600 A00 R9L	Reverse-Transfer Lever	1
97	1 619 P17 337	Warning Plate	1
98	1 619 P15 487	Warning Plate	1
802	1 607 000 CA4	Motor	1
803	1 607 000 CA5	Bevel Gear Shaft	1
821	1 607 000 CA6	Gear Housing	1
828	1 619 P17 430	Bearing Flange	1

**Spare parts list**

<b>Item</b>	<b>Part Number</b>	<b>Description</b>	<b>Illustration</b>
840	1 607 000 V41	Push-Button	1
843	1 607 000 742	Catch Lever	1
851	1 619 P15 493	Electronics Module	1
884	1 607 000 CA9	Filter Unit	1
651	1 600 A00 XL5	Protective Cover	2
653	1 600 A01 6DR	Quick Acting Flange	2
654	1 605 703 140	Clamping-Flange	2
654/2	1 600 210 253	O-Ring	2
655	1 602 025 0A0	Auxiliary Handle	2
656	1 607 950 052	Pin-Type Face-Wrench	2
657	1 607 A35 0CH	Battery Pack GBA18V80 8.0Ah ProCore SCM	2
658	2 607 225 927	Charger USA BC 1880 CV 13,3-18V/120V	2
894	1 615 430 020	Grease Tube 225 ML	2
895	1 605 430 003	Grease Tube 225 ML	2

Illustration - Type - E

3 601 JJ4 112  
 Stand 23-03-28  
 Issue } **Fig. /Abb. 1**

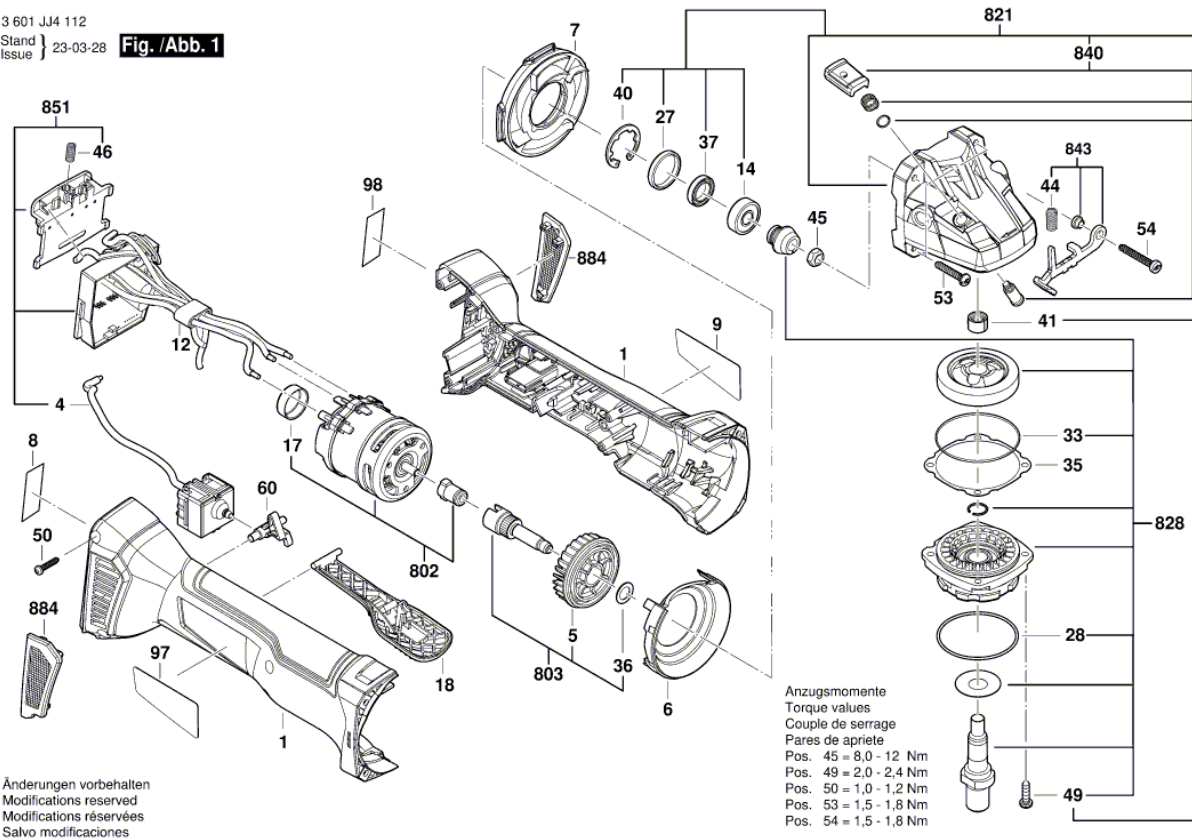
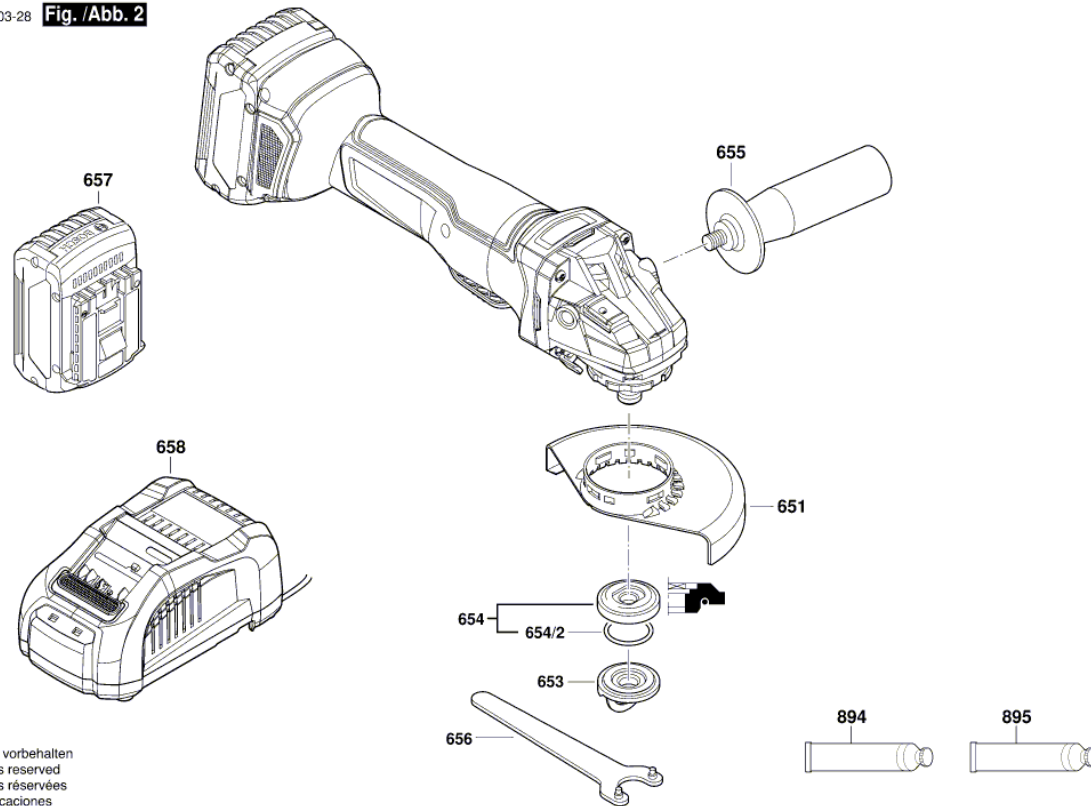


Illustration - Type - E

3 601 JJ4 112  
Stand } 23-03-28  
Issue } **Fig. /Abb. 2**



Änderungen vorbehalten  
Modifications reserved  
Modifications réservées  
Salvo modificaciones