



BOSCH

Cordless Angle Grinder

GWS 18V-45C | 3 601 JG3 111

Table of Content

Spare parts list.....	2
Illustration - Type.....	4

Cordless Angle Grinder | GWS 18V-45C | 3 601 JG3 111

Spare parts list

Item	Part Number	Description	Illustration
1	1 605 108 2DU	Motor Housing	1
5	1 606 610 16E	Fan	1
6	1 600 591 065	Air-Deflector Ring	1
8	1 601 11A 62Z	Nameplate	1
9	1 601 11C 12G	Manufacturer's nameplate	1
12	1 600 A00 RK2	Ferrite	1
17	1 600 100 P12	Cover	1
18	1 600 A00 P2P	Switch Handle	1
20	1 600 A00 P14	Adjusting Slide	1
28/28/4	3 600 210 109	O-Ring 47,0x1,5 MM	1
28/32	1 607 000 D6B	Grinding Spindle	1
28/80	1 619 P09 390	Cover Disc	1
33	1 600 210 035	O-Ring 46,0x1,1 MM	1
35	1 600 136 013	Shim 0,1 MM THICK	1
35	1 600 136 014	Shim 0,2 MM THICK	1
35	1 600 136 015	Shim 0,3 MM THICK	1
35	1 600 136 020	Shim 0,15 MM THICK	1
36	1 610 100 023	Washer	1
45	1 603 300 016	Hex Nut M7, SW10	1
46	1 609 280 477	Compression Spring	1
49	2 914 491 410	Thread-forming tap. Screw M4x16	1
50	1 603 435 071	Thread-forming tap. Screw	1
53	1 603 435 078	Torx Oval-Head Screw	1
54	1 603 414 026	Torx Oval-Head Screw 4x30	1
60	1 600 A00 P18	Reverse-Transfer Lever	1
90	1 600 A00 P2N	Cover	1
91	1 607 503 438	Electronics Module	1
92	1 600 A00 M53	Cover Panel	1
94	1 605 500 2BV	Cover	1
95	1 600 A00 P1B	Cover	1
97	1 601 11C 2A1	Warning Plate	1
98	1 601 11C 16U	Warning Plate	1
321/104	1 600 210 044	O-Ring 4,5x1,0 MM BLUE	1
321/14	1 600 905 032	groove ball bearing 8x22x7	1
321/27	1 600 206 025	Rubber Ring	1

Cordless Angle Grinder | GWS 18V-45C | 3 601 JG3 111

Spare parts list

Item	Part Number	Description	Illustration
321/37	1 600 A00 P17	Holder	1
321/40	1 600 119 011	Retaining clip	1
321/41	1 600 200 029	Plain bearing	1
321/7	1 600 591 05N	Air Distributor	1
343	1 607 000 742	Catch Lever	1
343/44	1 604 611 042	Compression Spring	1
802	1 607 000 CA4	Motor	1
803	1 607 000 CA5	Bevel Gear Shaft	1
821	1 607 000 CA6	Gear Housing	1
828	1 607 000 D6D	Bearing Flange	1
838	1 607 000 CA8	Gear Unit	1
840	1 607 000 V41	Push-Button	1
851	1 607 000 D5V	Electronics Module	1
884	1 607 000 CA9	Filter Unit	1
650/1	1 602 025 0A0	Auxiliary Handle	2
650/2	1 600 A01 6DR	Quick Acting Flange	2
650/5	3 603 340 503	Round Nut 5/8"	2
652	2 607 225 927	Charger USA BC 1880 CV 13,3-18V/120V	2
653	1 600 A00 P3H	Slide-In Accu Package GBA18V63 18V 6,3Ah	2
891	1 602 025 027	Auxiliary Handle M10	2
892	1 607 000 CE9	Protective Cover	2
893	1 607 950 052	Pin-Type Face-Wrench	2

Illustration - Type - E

3 601 JG3 111
 Stand | 19-08
 Issue | 22-11-23

Fig. /Abb. 1

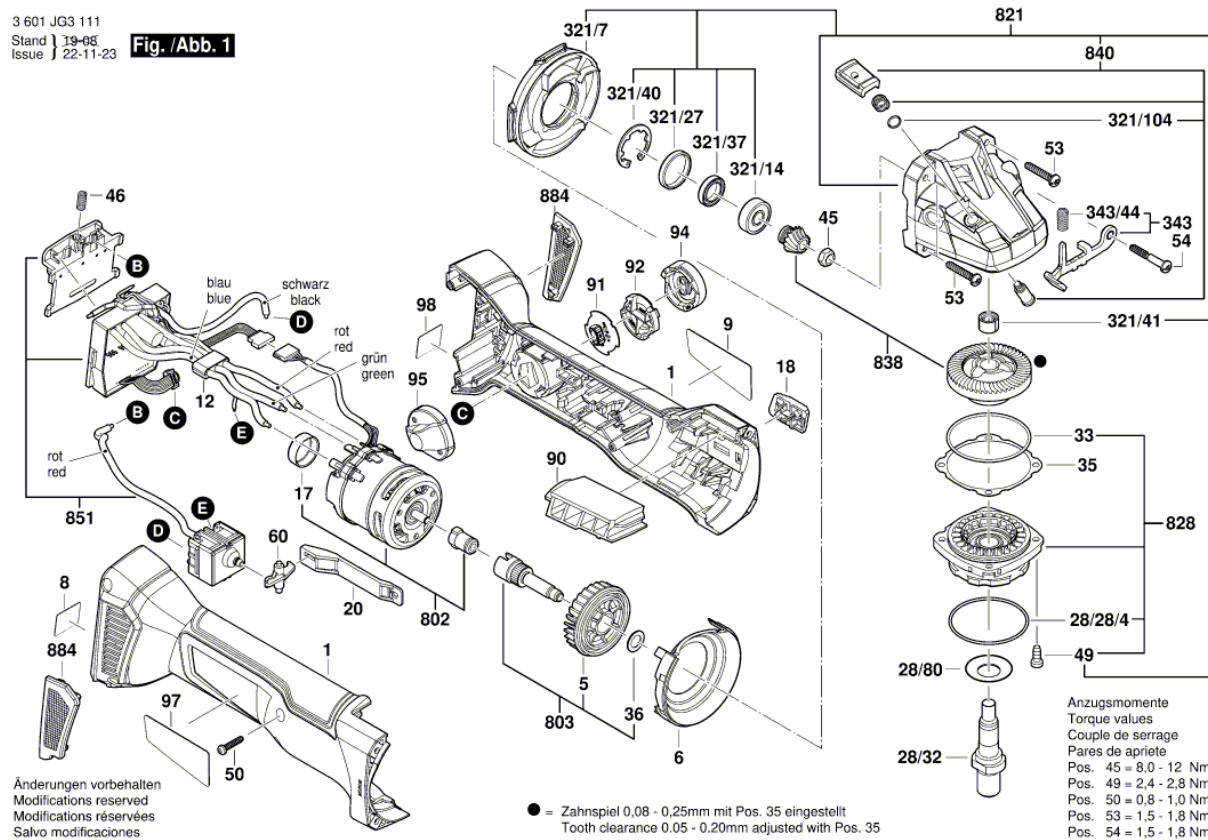
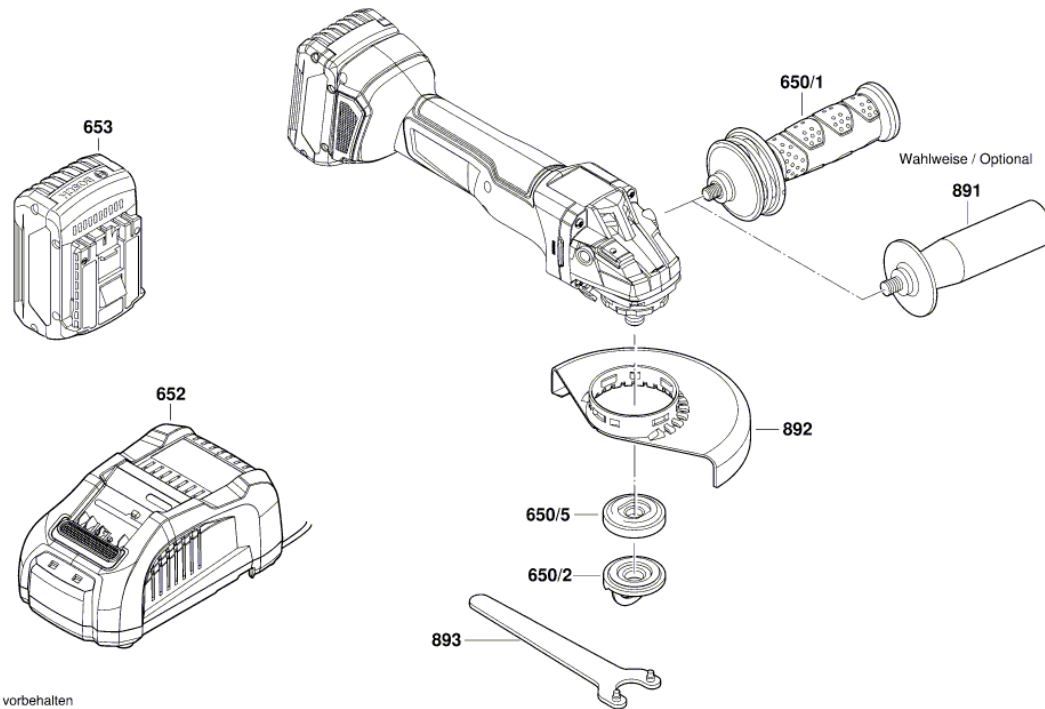


Illustration - Type - E

3 601 JG3 111
Stand | 18-02
Issue | 18-07-04 **Fig. /Abb. 2**



Änderungen vorbehalten
Modifications reserved
Modifications réservées
Salvo modificaciones