



**BOSCH**

# Cordless Angle Grinder

GWS18V-45PSC | 3 601 JG3 D11

---

## Table of Content

Spare parts list.....	2
Illustration - Type.....	4

# Cordless Angle Grinder | GWS18V-45PSC | 3 601 JG3 D11

## Spare parts list

Item	Part Number	Description	Illustration
1	1 605 108 2EL	Motor Housing	1
5	1 606 610 16E	Fan	1
6	1 600 591 065	Air-Deflector Ring	1
8	1 601 11A 631	Nameplate	1
9	1 601 11C 23N	Manufacturer's nameplate	1
12	1 600 A00 RK2	Ferrite	1
17	1 600 100 P12	Cover	1
18	1 600 A00 R9F	Switch-Pawl	1
28/28/4	3 600 210 109	O-Ring 47,0x1,5 MM	1
28/32	1 607 000 D6B	Grinding Spindle	1
28/80	1 619 P09 390	Cover Disc	1
33	1 600 210 035	O-Ring 46,0x1,1 MM	1
35	1 600 136 013	Shim 0,1 MM THICK	1
35	1 600 136 014	Shim 0,2 MM THICK	1
35	1 600 136 015	Shim 0,3 MM THICK	1
35	1 600 136 020	Shim 0,15 MM THICK	1
36	1 610 100 023	Washer	1
45	1 603 300 016	Hex Nut M7, SW10	1
46	1 609 280 477	Compression Spring	1
49	2 914 491 410	Thread-forming tap. Screw M4x16	1
50	1 603 435 071	Thread-forming tap. Screw	1
53	1 603 435 078	Torx Oval-Head Screw	1
54	1 603 414 026	Torx Oval-Head Screw 4x30	1
60	1 600 A00 R9L	Reverse-Transfer Lever	1
89	1 600 A00 P2M	Light Conductor	1
90	1 607 233 5LX	Speed governor	1
91	1 607 503 438	Electronics Module	1
92	1 600 A00 M53	Cover Panel	1
94	1 605 500 2BV	Cover	1
95	1 600 A00 P1B	Cover	1
97	1 601 11C 2A1	Warning Plate	1
98	1 601 11C 16U	Warning Plate	1
321/104	1 600 210 044	O-Ring 4,5x1,0 MM BLUE	1
321/14	1 600 905 032	groove ball bearing 8x22x7	1
321/27	1 600 206 025	Rubber Ring	1

**Spare parts list**

<b>Item</b>	<b>Part Number</b>	<b>Description</b>	<b>Illustration</b>
321/37	1 600 A00 P17	Holder	1
321/40	1 600 119 011	Retaining clip	1
321/41	1 600 200 029	Plain bearing	1
321/7	1 600 591 066	Air Distributor	1
343	1 607 000 742	Catch Lever	1
343/44	1 604 611 042	Compression Spring	1
802	1 607 000 CA4	Motor	1
803	1 607 000 CA5	Bevel Gear Shaft	1
821	1 605 806 5S3	Gear Housing	1
828	1 607 000 D6D	Bearing Flange	1
838	1 607 000 CA8	Gear Unit	1
840	1 607 000 V41	Push-Button	1
851	1 607 000 D5W	Electronics Module	1
884	1 607 000 CA9	Filter Unit	1
650/1	1 602 025 0A0	Auxiliary Handle	2
650/2	1 600 A01 6DR	Quick Acting Flange	2
650/2/2	1 600 210 253	O-Ring	2
650/3	1 607 950 052	Pin-Type Face-Wrench	2
650/5	1 605 703 140	Clamping-Flange	2
652	2 607 225 927	Charger USA BC 1880 CV 13,3-18V/120V	2
653	1 600 A00 P3H	Slide-In Accu Package 6,3Ah	GBA18V63 18V 2
891	1 602 025 027	Auxiliary Handle M10	2
892	1 607 000 CE9	Protective Cover	2

Illustration - Type - E

3 601 JG3 D11  
Stand | 19-08  
Issue | 22-11-23

Fig. /Abb. 1

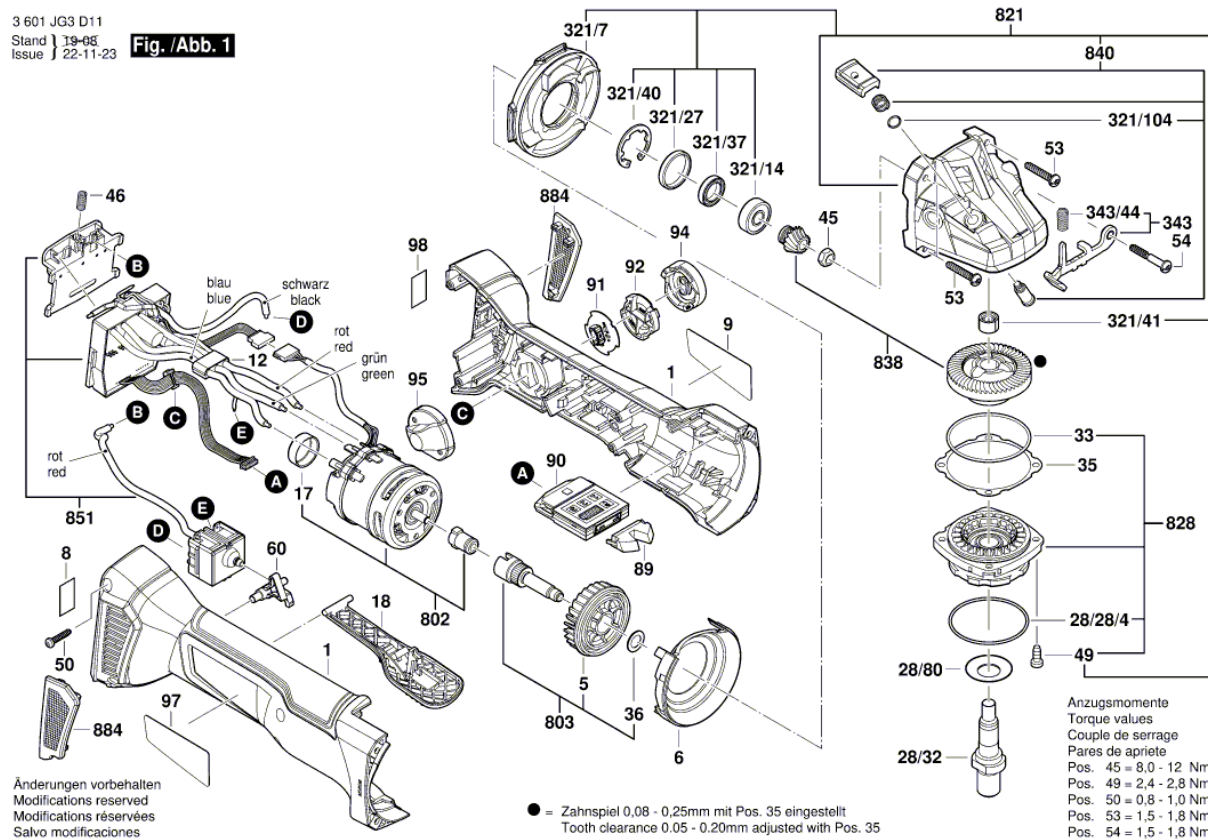
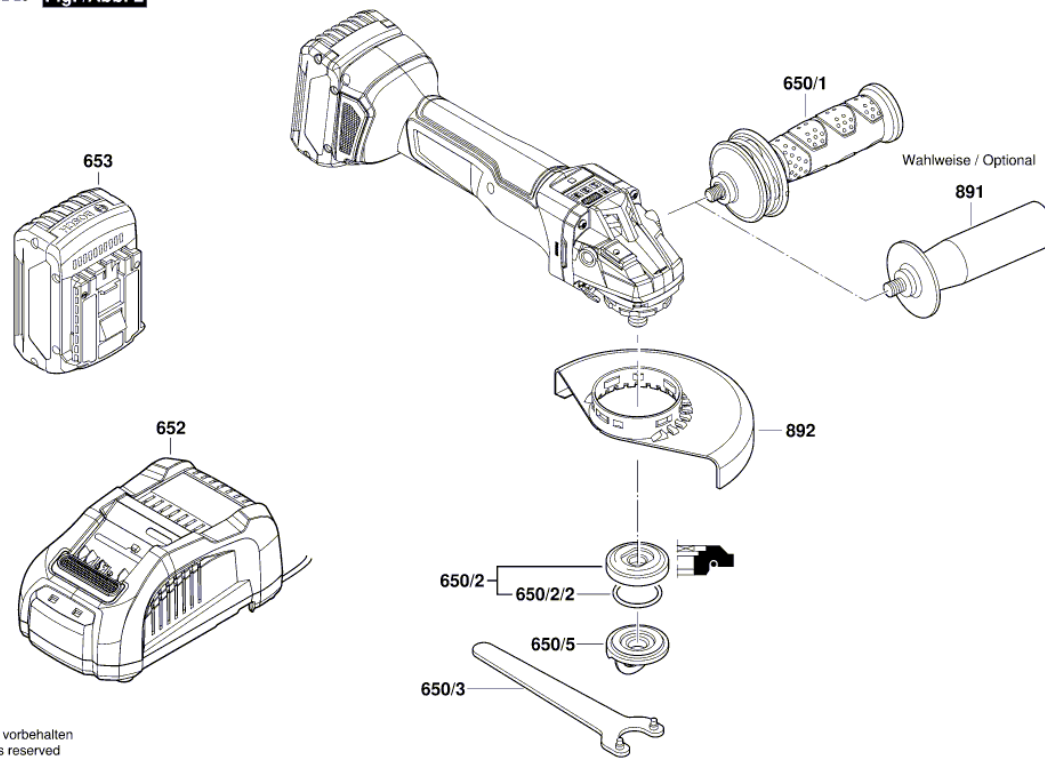


Illustration - Type - E

3 601 JG3 D11  
Stand } 18-02-20  
Issue } **Fig. /Abb. 2**



Änderungen vorbehalten  
Modifications reserved  
Modifications réservées  
Salvo modificaciones