

## Cordless Angle Grinder - 3 601 JG3 D10 - GWS 18V-4...

www.powertools-aftersaleservice.com



**BOSCH**

Item	Part Number	Description	Illustration	Price	Quantity	Price Group
	1 1 605 108 2EL	Motor Housing	1	-,-	1	30
	5 1 606 610 16E	Fan	1	-,-	1	14
	6 1 600 591 065	Air-Deflector Ring	1	-,-	1	13
	8 1 601 11A 5AC	Nameplate	1	-,-	1	13
	9 1 601 11C 23N	Manufacturer's nameplate	1	-,-	1	13
	12 1 600 A00 RK2	Ferrite	1	-,-	1	12
	17 1 600 100 P12	Cover	1	-,-	1	11
	18 1 600 A00 R9F	Switch-Pawl	1	-,-	1	16
28/28/4	3 600 210 109	O-Ring 47,0x1,5 MM	1	-,-	1	12
28/32	1 603 523 122	Grinding Spindle 5/8"	1	-,-	1	33
28/80	3 600 150 021	Sealing disk	1	-,-	1	15
	33 1 600 210 035	O-Ring 46,0x1,1 MM	1	-,-	1	11
	35 1 600 136 013	Shim 0,1 MM THICK	1	-,-	1	13
	35 1 600 136 014	Shim 0,2 MM THICK	1	-,-	1	13
	35 1 600 136 015	Shim 0,3 MM THICK	1	-,-	1	13
	35 1 600 136 020	Shim 0,15 MM THICK	1	-,-	1	13
	36 1 610 100 023	Washer	1	-,-	1	10
	45 1 603 300 016	Hex Nut M7, SW10	1	-,-	1	11
	46 1 609 280 477	Compression Spring	1	-,-	1	11
	49 2 914 491 410	Thread-forming tap. Screw M4x16	1	-,-	4	10
	50 1 603 435 071	Thread-forming tap. Screw	1	-,-	4	10
	53 1 603 435 078	Torx Oval-Head Screw	1	-,-	3	10
	54 1 603 414 026	Torx Oval-Head Screw 4x30	1	-,-	1	10
	60 1 600 A00 R9L	Reverse-Transfer Lever	1	-,-	1	11
	89 1 600 A00 P2M	Light Conductor	1	-,-	1	12
	90 1 607 233 5D2	Speed governor	1	-,-	1	41
	91 1 607 503 438	Electronics Module	1	-,-	1	26
	92 1 600 A00 M53	Cover Panel	1	-,-	1	10
	94 1 605 500 2BV	Cover	1	-,-	1	12
	95 1 600 A00 P1B	Cover	1	-,-	1	10
	97 1 601 11C 2A1	Warning Plate	1	-,-	1	13
	98 1 601 11C 16U	Warning Plate	1	-,-	1	13
321/7	1 600 591 066	Air Distributor	1	-,-	1	14

Item	Part Number	Description	Illustration	Price	Quantity	Price Group
321/14	1 600 905 032	groove ball bearing 8x22x7	1	-,-	1	18
321/27	1 600 206 025	Rubber Ring	1	-,-	1	12
321/37	1 600 A00 P17	Holder	1	-,-	1	10
321/40	1 600 119 011	Retaining clip	1	-,-	1	11
321/41	1 600 200 029	Plain bearing	1	-,-	1	14
321/104	1 600 210 044	O-Ring 4,5x1,0 MM BLUE	1	-,-	1	10
343	1 607 000 742	Catch Lever	1	-,-	1	20
343/44	1 604 611 042	Compression Spring	1	-,-	1	11
650/1	1 602 025 052	Auxiliary Handle M10 ANTI-VIBRATION	2	-,-	1	31
650/2	1 605 703 140	Clamping-Flange	2	-,-	1	21
650/3	1 607 950 052	Pin-Type Face-Wrench	2	-,-	1	15
650/5	3 603 340 503	Round Nut 5/8"	2	-,-	1	28
650/2/2	1 600 210 253	O-Ring	2	-,-	1	12
652	2 607 225 927	Charger USA BC 1880 CV 13,3-18V/120V	2	-,-	1	47
653	1 600 A00 P3H	Slide-In Accu Package GBA18V63 18V 6,3Ah	2	-,-	1	-
802	1 607 000 CA4	Motor	1	-,-	1	45
803	1 607 000 CA5	Bevel Gear Shaft	1	-,-	1	24
821	1 607 000 CA7	Gear Housing	1	-,-	1	38
828	1 607 000 449	Bearing Flange	1	-,-	1	28
838	1 607 000 CA8	Gear Unit	1	-,-	1	30
840	1 607 000 V41	Push-Button	1	-,-	1	16
851	1 607 000 CH3	Electronics Module	1	-,-	1	47
884	1 607 000 CA9	Filter Unit	1	-,-	1	23
891	2 602 025 067	Auxiliary Handle M10, Ø32,5x105 MM	2	-,-	1	15
892	1 607 000 CE9	Protective Cover	2	-,-	1	28

Illustration - Type E

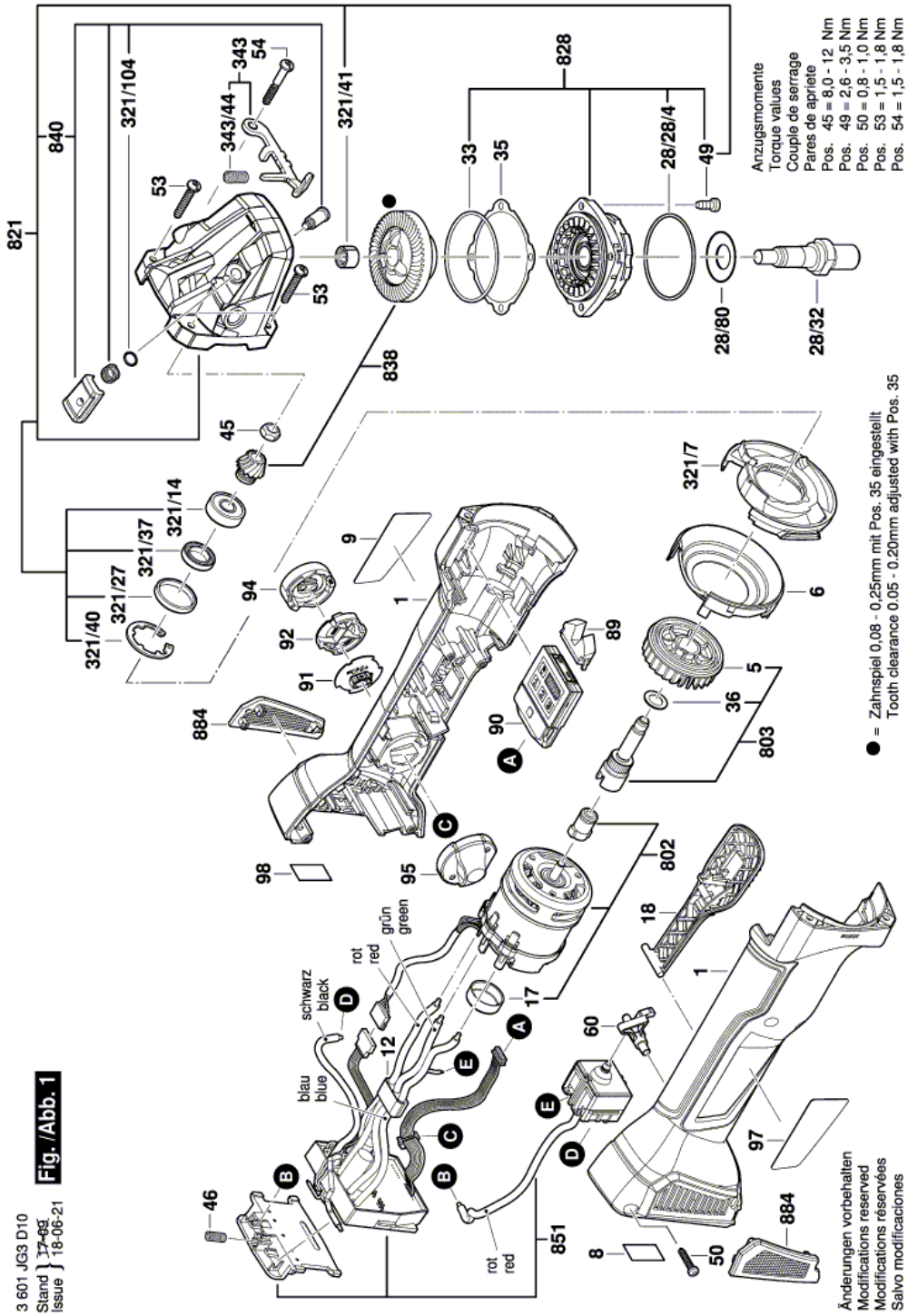
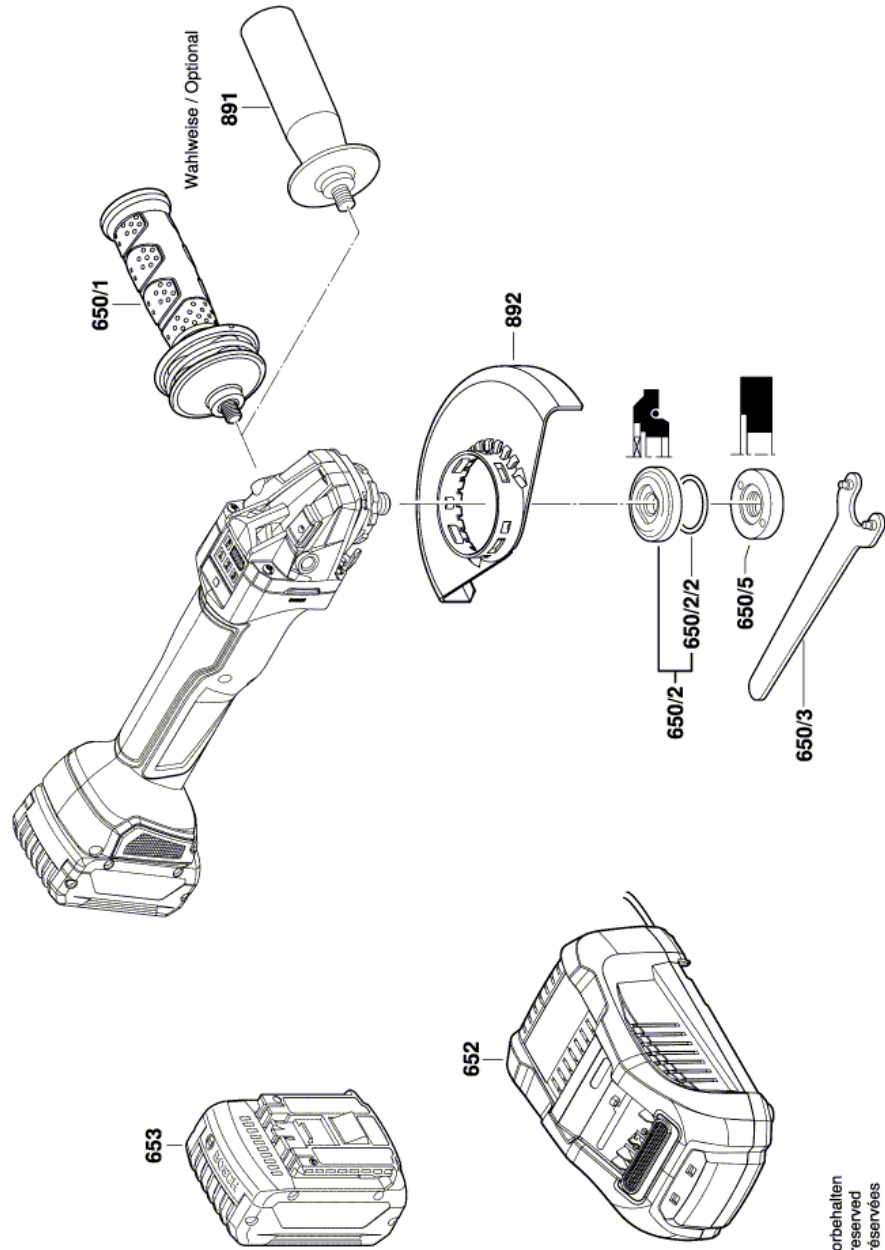


Illustration - Type E



3 601 JG3 D10  
Stand } 17-11-23  
Issue }  
**Fig./Abb. 2**

Änderungen vorbehalten  
Modifications reserved  
Modificacions reservées  
Salvo modificaciones

Information subject to change without further notice.