



BOSCH

Cordless Angle Grinder

GWS18V-8 | 3 601 JH9 011

Table of Content

Spare parts list.....	2
Illustration - Type.....	4

Cordless Angle Grinder | GWS18V-8 | 3 601 JH9 011

Spare parts list

Item	Part Number	Description	Illustration
1	1 619 P15 044	Motor Housing	1
2	1 600 A01 A6N	Stator	1
3	1 600 A02 4BM	Rotor	1
5	1 619 P16 641	Fan	1
6	1 619 P16 509	Air-Deflector Ring	1
7	1 619 P16 508	Air Distributor	1
8	1 619 P15 786	Nameplate	1
9	1 619 P15 782	Manufacturer's nameplate	1
14	1 619 P09 955	groove ball bearing	1
18	1 619 P15 338	Switch Handle	1
20	1 619 P15 050	Adjusting Slide	1
27	1 600 206 025	Rubber Ring	1
33	1 600 210 035	O-Ring 46,0x1,1 MM	1
35	1 600 136 013	Shim 0,1 MM THICK	1
35	1 600 136 014	Shim 0,2 MM THICK	1
36	1 610 100 023	Washer	1
37	1 600 A00 P17	Holder	1
40	1 600 119 011	Retaining clip	1
41	1 600 200 029	Plain bearing	1
44	1 604 611 042	Compression Spring	1
45	1 619 P17 544	Hex Nut	1
46	1 609 280 477	Compression Spring	1
49	2 914 491 410	Thread-forming tap. Screw M4x16	1
50	2 609 110 201	Torx Flat-Head Screw 3x16	1
51	1 600 A01 NC3	Electronics Module	1
53	1 619 P01 066	Torx Oval-Head Screw 4x25	1
54	2 603 490 025	Torx Oval-Head Screw 4x30	1
60	1 619 P15 795	Reverse-Transfer Lever	1
61	1 619 P15 806	Torsion Spring	1
80	1 619 P09 390	Cover Disc	1
97	1 619 P15 486	Warning Plate	1
98	1 619 P15 487	Warning Plate	1
104	1 600 210 044	O-Ring 4,5x1,0 MM BLUE	1
803	1 607 000 CA5	Bevel Gear Shaft	1
821	1 607 000 CA6	Gear Housing	1

Spare parts list

Item	Part Number	Description	Illustration
828	1 619 P17 430	Bearing Flange	1
840	1 619 P17 077	Push Button	1
843	1 619 P17 078	Catch Lever	1
884	1 607 000 CA9	Filter Unit	1
650/1	1 602 025 027	Auxiliary Handle M10	2
650/2	1 605 703 140	Clamping-Flange	2
650/2/2	1 600 210 253	O-Ring	2
650/3	1 607 950 052	Pin-Type Face-Wrench	2
650/5	3 603 340 503	Round Nut 5/8"	2
651	1 600 A00 XL4	Protective Cover	2
652	2 607 225 927	Charger USA BC 1880 CV 13,3-18V/120V	2
653	1 607 A35 0AU	Battery Pack ProCore SCM USA GBA18V80 18V 8.0Ah	2
894	1 615 430 020	Grease Tube 225 ML	2
895	1 605 430 003	Grease Tube 225 ML	2

Illustration - Type - E

3 601 JH9 011
 Stand | 22-10
 Issue | 22-11-23

Fig./Abb. 1

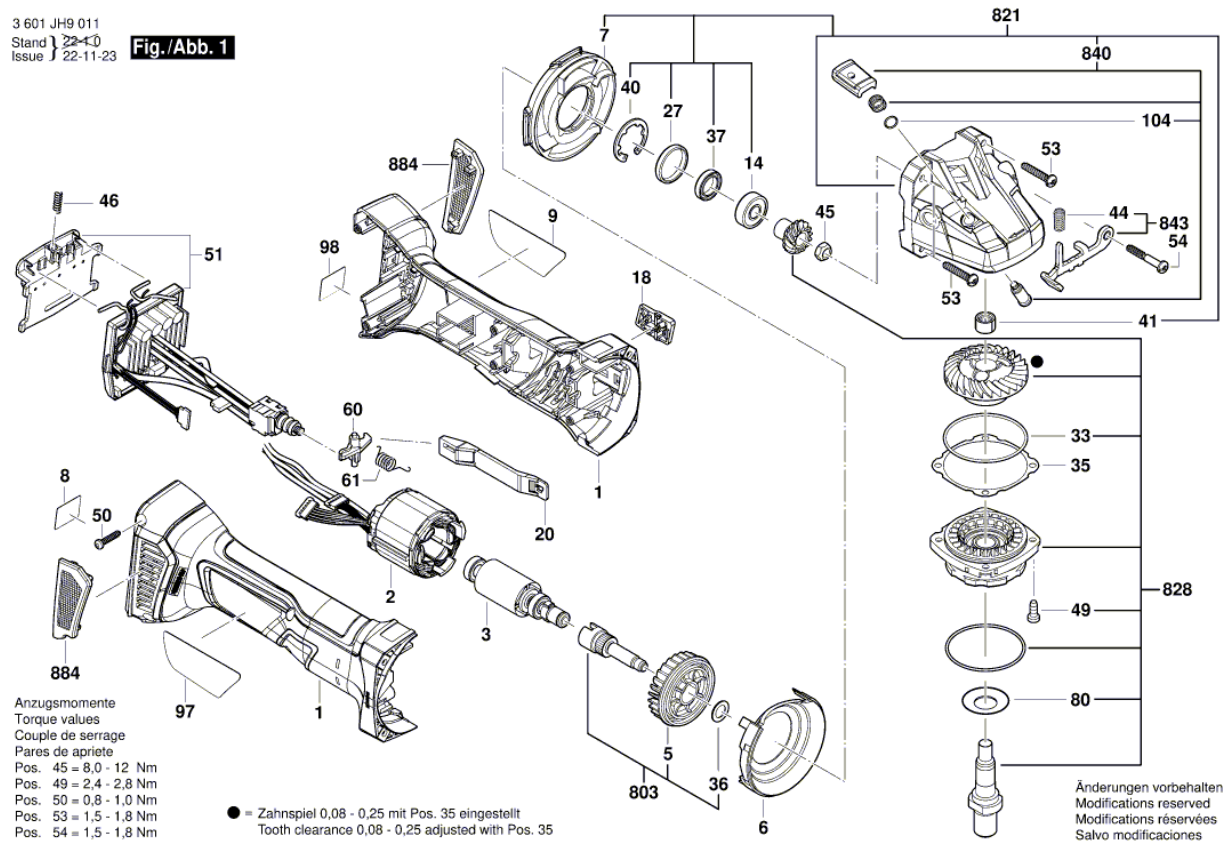


Illustration - Type - E

3 601 JH9 011
 Stand | 21-05-27
 Issue | 21-05-28 **Fig. /Abb. 2**

