



**BOSCH**

# Angle Grinder

GWS 20-230 | 0 601 752 043

---

## Table of Content

Spare parts list.....	2
Illustration - Type.....	5

Spare parts list

Item	Part Number	Description
1	1 605 108 275	Motor Housing
2	1 604 220 380	Field 220-240V
3/50	1 600 A00 J93	Fan
5	1 604 460 255	Power supply cord CN 4,15m 2 x 1,5mm H07 RN-F
6	1 600 703 023	Grommet Ø 10,5-Ø11,0x100 MM
7	1 601 302 018	Fastening Clamp
9	1 601 118 681	Manufacturer's nameplate
13	1 600 905 011	groove ball bearing 8x22x7
23	1 618 B00 802	Sealing cap
24	1 619 P11 545	Handle
25	1 603 123 05U	Grinding Spindle
28	1 600 210 033	O-Ring 79,0x1,78 MM
29	1 600 210 034	O-Ring 4,0x1,0 MM
30	1 600 591 029	Air Distributor
31	1 600 591 075	Air-Deflector Ring
32	1 600 290 019	Retaining snap ring
33	1 600 290 013	Rotary shaft lip seal 18,7 MM RED
33	1 600 290 064	Rotary shaft lip seal 16 MM BLUE
34	1 600 190 020	Shim 0,15 MM THICK
34	1 600 190 021	Shim 0,3 MM THICK
34	1 600 190 022	Shim 0,1 MM THICK
35	1 600 205 034	Felt Washer
37	1 600 290 036	Seal Ring BLACK
38	1 600 206 020	Rubber Ring 7 MM WIDE
39	1 600 206 030	Rubber Ring
45	1 603 300 019	Hex Nut M10, SW14
51	1 600 200 031	Plain bearing Ø14 MM
53	1 605 190 068	Socket Housing
60	1 603 435 023	Thread-forming tap. Screw TT M5x18 MM
61	2 912 401 038	Tapping Screw DIN 7981-4,8x38-C-Z-ST
62	1 603 435 060	Tapping Screw 4,8x55
63	1 603 410 014	Pan head screw M4x10 MM
64	1 603 435 042	Plastic-Cutting Screw St3,9x12
65	2 912 401 020	Tapping Screw DIN 7981-3,9x19-C-Z-ST

Spare parts list

Item	Part Number	Description		
66	2 910 211 019	Tapping Screw	DIN 7971-ST3,9x16-F	
68	1 601 006 011	Sealing Plate		
803	1 619 P15 296	Armature		
804	1 607 000 967	Switch	BLACK	
808	1 601 11A 3H3	Nameplate		
810	1 607 014 171	Carbon-Brush Set		
814	1 600 905 023	groove ball bearing	10x35x11	
816	1 604 336 048	Brush Holder		
821	1 607 000 968	Gear Housing		
822	1 607 000 985	Bearing Flange	Ø230 MM	
826	1 600 A00 5BH	Assembly Of Service Parts		
840	1 607 000 206	Push-Button	BLACK	
846	1 607 000 C3E	Retaining Washer		
851	2 600 910 001	Needle-Roller Bearing	Ø14 MM	
650/30/20	1 600 210 039	O-Ring	20,35x1,78 MM	
700	1 607 000 251	Parts Set	Ø230 MM	
700/10	1 605 510 223	Protective Cover	Ø230 MM	
700/20/30	2 910 281 244	Round-Head Bolt	DIN 603-M 8x25	
700/20/40	2 915 191 007	Wing Nut	DIN 315-M8-GT-C	
700/20/60	1 604 643 003	Compression Spring		
701	1 608 135 003	Guide Block		
702	1 605 510 180	Protective Cover	Ø230 MM	
703	1 607 000 247	Strap-Shaped Handle		
703/11	2 603 450 007	Hex Screw	M14x16x1,5 MM	
704	1 605 510 181	Protective Cover	Ø110 MM	
730	1 608 601 007	Backing Pad	Ø230 MM	
730/20	1 603 345 004	Round Nut	M14	
730/30	2 916 011 022	Plain Washer	DIN 125-A15-ST	
740	1 601 329 013	Protecting Cover		
750/10	2 602 025 075	Auxiliary Handle	M14x1,5 MM	BLACK
750/20	1 607 950 048	Pin-Type Face-Wrench		
750/30	1 605 703 099	Clamping-Flange	Ø22,2x42 MM	
750/40	1 603 340 040	Clamping Nut	M14	
752	1 600 A01 6PP	Fast Locking Flange		
763	1 600 793 007	Suction Bend	Ø 35 MM	

Spare parts list

Item	Part Number	Description
764	1 607 950 004	Pin-Type Face-Wrench

Illustration - Type - E

0 601 752 003 - 065 / 240  
 Stand 02-92  
 Issue 03-02-28

Fig./Abb. 1

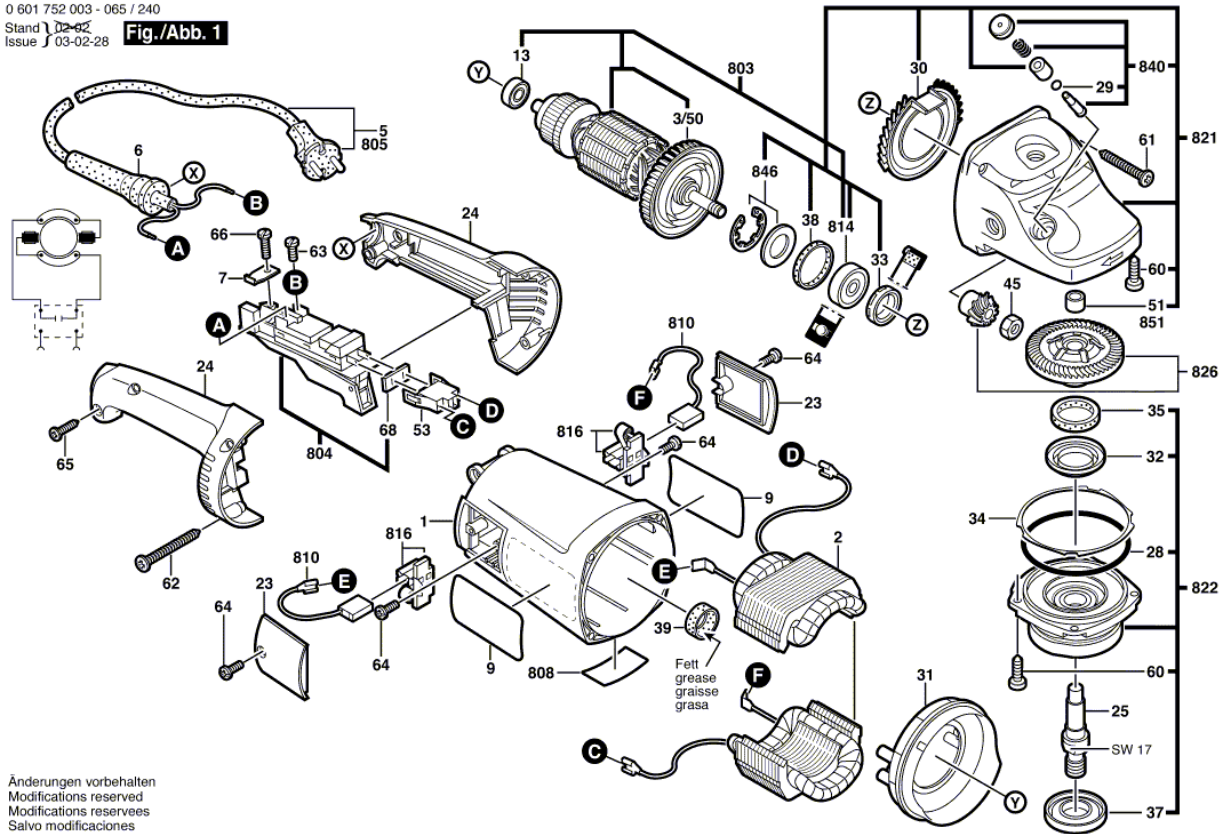

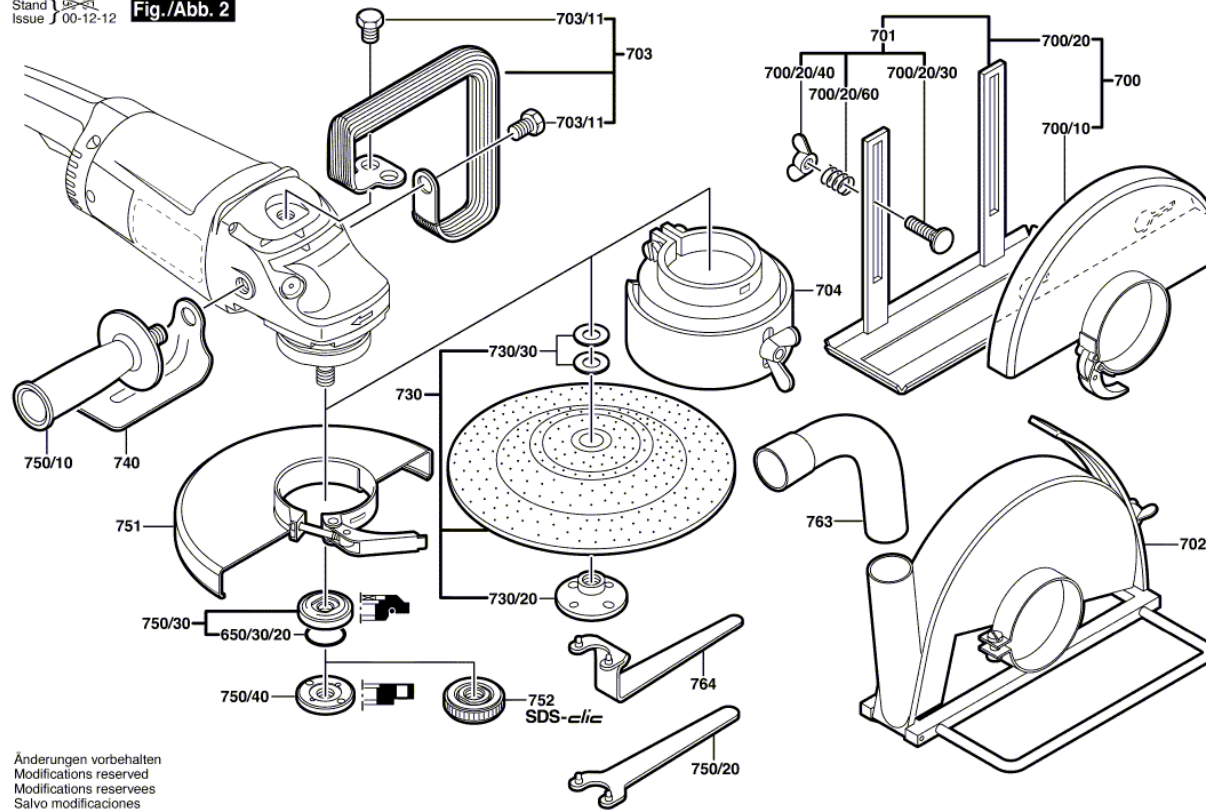


Illustration - Type - E

0 601 752 003 - 065 / 240  
 Stand   
 Issue 00-12-12 **Fig./Abb. 2**



Änderungen vorbehalten  
 Modifications reserved  
 Modificaciones reservées  
 Salvo modificaciones