



BOSCH

Angle Grinder

GWS 22-180 LV | 3 601 H90 E80

Table of Content

Spare parts list.....	2
Illustration - Type.....	4

Angle Grinder | GWS 22-180 LV | 3 601 H90 E80

Spare parts list

Item	Part Number	Description		
1	1 605 108 264	Motor Housing	BLUE	
2	1 604 220 57F	Field		
5	1 604 460 255	Power supply cord	CN 4,15m 2 x 1,5mm H07 RN-F	
6	1 600 703 036	Grommet	Ø10,5-Ø11,0x100 MM	
7	1 601 302 018	Fastening Clamp		
9	1 601 11C 27Z	Manufacturer's nameplate		
13	1 600 905 034	groove ball bearing	9x26x8	
14	1 600 905 035	groove ball bearing	12x37x12	
23	1 605 500 266	Cover	BLACK	
24	1 605 132 19K	Handle		
29	1 600 210 045	O-Ring	8,0x1,0 MM	
30	1 600 591 041	Air Distributor		
31	1 600 591 05U	Air-Deflector Ring		
33	1 600 290 064	Rotary shaft lip seal	16 MM	BLUE
38	1 600 206 037	Rubber Ring		
43	1 605 500 264	Sealing cap	BLACK	
44	1 605 500 265	Sealing cap	BLACK	
50	1 602 388 036	Cable routing		
51	1 600 200 031	Plain bearing	Ø14 MM	
53	1 605 190 068	Socket Housing		
60	1 603 435 023	Thread-forming tap. Screw	TT M5x18 MM	
61	1 603 490 005	Torx Oval-Head Screw		
63	1 603 410 014	Pan head screw	M4x10 MM	
64	2 603 490 021	Torx Oval-Head Screw	4x12	
65	2 603 490 023	Torx Oval-Head Screw	4x20	
66	2 910 211 019	Tapping Screw	DIN 7971-ST3,9x16-F	
68	1 601 006 011	Sealing Plate		
75	1 600 290 060	Damper		
76	1 603 414 025	Collar Screw		
131	1 601 118 N45	Manufacturer's nameplate	GWS-180 LVI	
802	1 607 000 C4K	Assembly		
803	1 604 011 297	Armature	230V	
804	1 607 000 973	Switch	GRAY	
808	1 601 106 940	Nameplate		

Spare parts list

Item	Part Number	Description
810	1 607 014 171	Carbon-Brush Set
816	1 604 336 053	Brush Holder
821	1 607 000 C17	Gear Housing
835	1 606 610 150	Fan
840	1 607 000 431	Push-Button
846	1 607 000 432	Retaining Washer
851	2 600 910 001	Needle-Roller Bearing Ø14 MM
28	1 600 210 033	O-Ring 79,0x1,78 MM
32	1 600 290 019	Retaining snap ring
34	1 600 190 020	Shim 0,15 MM THICK
34	1 600 190 021	Shim 0,3 MM THICK
34	1 600 190 022	Shim 0,1 MM THICK
34	1 600 190 037	Shim 0,2 MM THICK
34	1 600 190 038	Shim 0,25 MM THICK
34	1 600 190 039	Shim 0,35 MM THICK
34	1 600 190 040	Shim 0,4 MM THICK
35	1 600 205 034	Felt Washer
37	1 600 290 036	Seal Ring BLACK
45	1 603 300 019	Hex Nut M10, SW14
69	2 916 650 905	Spring retaining ring
822	1 607 000 CP1	Bearing Flange
823	1 605 808 0CX	Bearing Flange
825	1 607 000 CU5	Grinding Spindle
826	1 600 A02 4YV	Bevel Gear Set
651	1 600 A01 R95	Protective Cover Ø180 MM
660	1 602 025 051	Auxiliary Handle M14 BLACK
890	1 600 210 039	O-Ring 20,35x1,78 MM
891	1 602 025 0A1	Auxiliary Handle
892	1 607 950 061	Pin-Type Face-Wrench
893	2 605 703 014	Clamping Flange Ø22,3xØ42 MM
894	1 603 345 043	Round Nut M14
896	1 600 A01 6PP	Fast Locking Flange

Illustration - Type - E

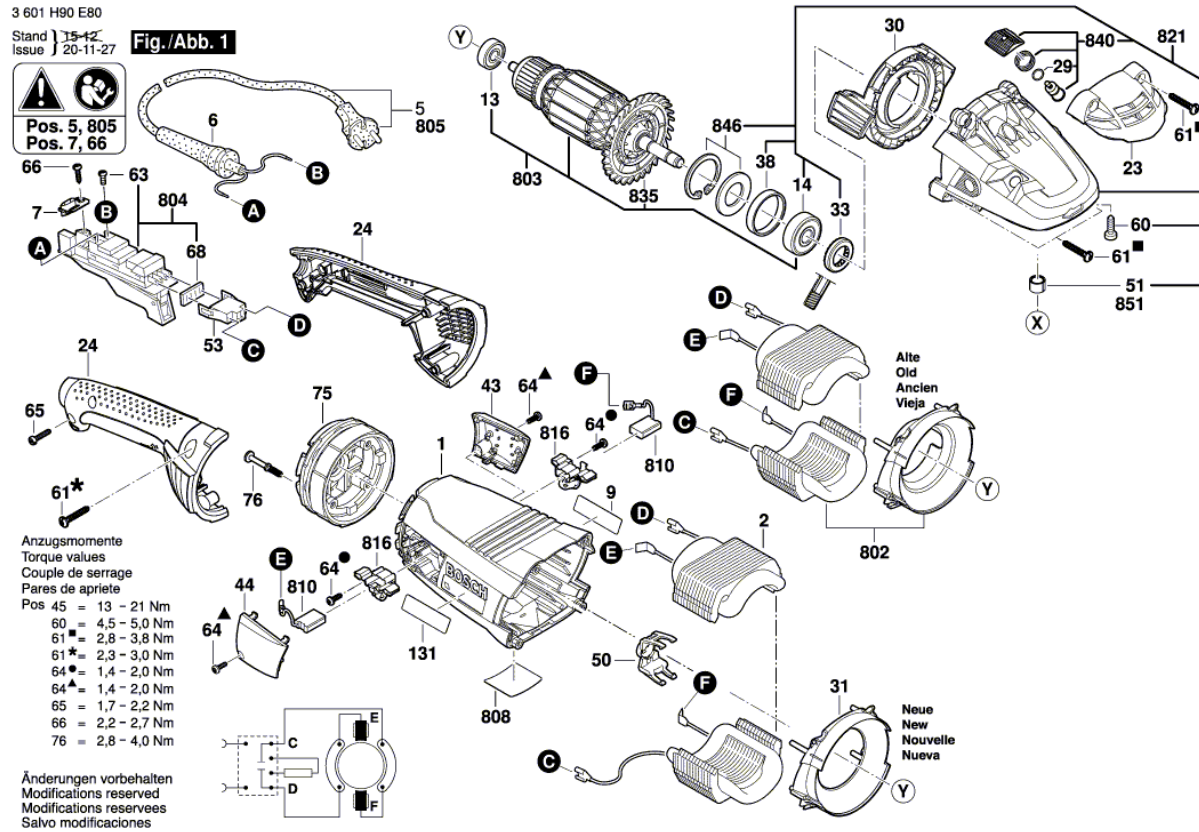
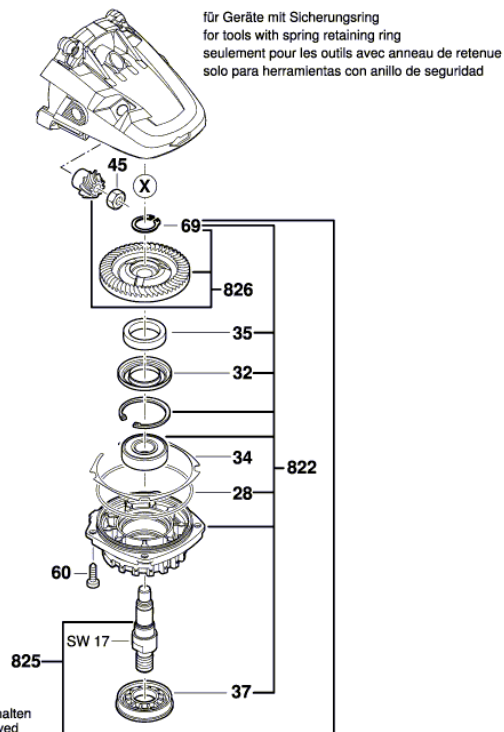


Illustration - Type - E

3 601 H90 E80
 Stand } 20-12-01
 Issue } **Fig./Abb. 2**



Änderungen vorbehalten
 Modifications reserved
 Modifications reserves
 Salvo modificaciones

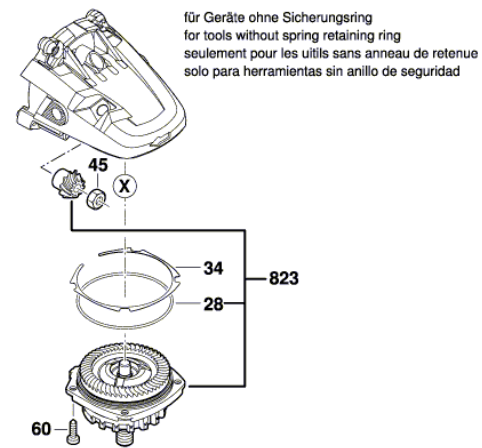
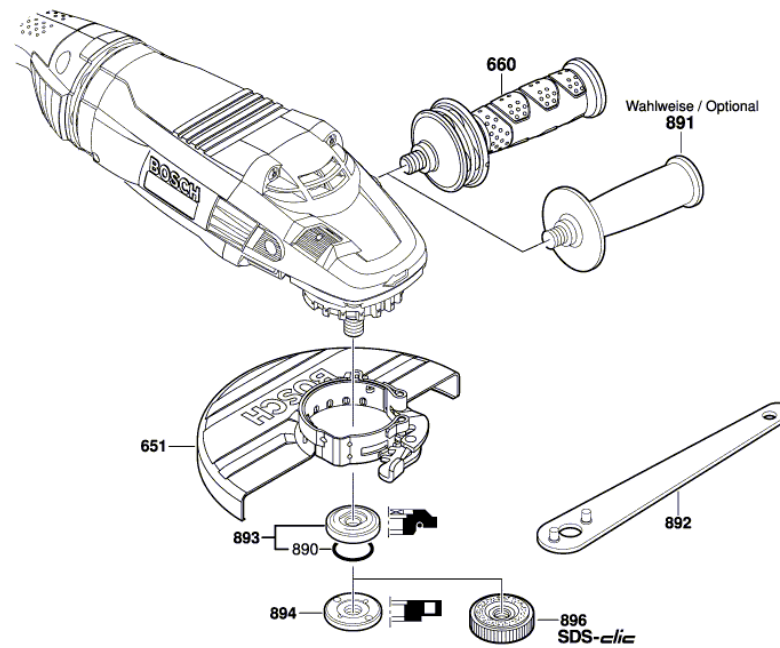


Illustration - Type - E

3 601 H90 E80
Stand } 20-11-27
Issue } **Fig./Abb. 3**



Änderungen vorbehalten
Modifications reserved
Modificacions reserves
Salvo modificaciones