



BOSCH

Angle Grinder

GWS 23-230 | 0 601 754 043

Table of Content

Spare parts list.....	2
Illustration - Type.....	5

Spare parts list

Item	Part Number	Description		
1	1 605 108 190	Motor Housing	BLUE	
2	1 604 220 57K	Field		
3/50	1 600 A00 J93	Fan		
5	1 604 460 255	Power supply cord H07 RN-F	CN 4,15m 2 x 1,5mm	
6	1 600 703 023	Grommet	Ø 10,5-Ø11,0x100 MM	
7	1 601 302 018	Fastening Clamp		
9	1 601 118 691	Manufacturer's nameplate		
13	1 600 905 011	groove ball bearing	8x22x7	
23	1 618 B00 802	Sealing cap		
24	1 605 132 130	Handle	BLUE	
25	1 603 123 05U	Grinding Spindle		
28	1 600 210 033	O-Ring	79,0x1,78 MM	
29	1 600 210 034	O-Ring	4,0x1,0 MM	
30	1 600 591 029	Air Distributor		
31	1 600 591 075	Air-Deflector Ring		
32	1 600 290 019	Retaining snap ring		
33	1 600 290 013	Rotary shaft lip seal	18,7 MM	RED
33	1 600 290 064	Rotary shaft lip seal	16 MM	BLUE
34	1 600 190 020	Shim	0,15 MM	THICK
34	1 600 190 021	Shim	0,3 MM	THICK
34	1 600 190 022	Shim	0,1 MM	THICK
35	1 600 205 034	Felt Washer		
37	1 600 290 036	Seal Ring	BLACK	
38	1 600 206 020	Rubber Ring	7 MM	WIDE
39	1 600 206 030	Rubber Ring		
45	1 603 300 019	Hex Nut	M10, SW14	
51	1 600 200 031	Plain bearing	Ø14 MM	
53	1 605 190 068	Socket Housing		
60	1 603 435 023	Thread-forming tap. Screw	TT M5x18 MM	
61	2 912 401 038	Tapping Screw	DIN 7981-4,8x38-C-Z-ST	
63	1 603 410 014	Pan head screw	M4x10 MM	
64	1 603 435 042	Plastic-Cutting Screw	St3,9x12	
65	2 912 401 020	Tapping Screw	DIN 7981-3,9x19-C-Z-ST	
66	2 910 211 019	Tapping Screw	DIN 7971-ST3,9x16-F	

Spare parts list

Item	Part Number	Description
68	1 601 006 011	Sealing Plate
101	1 601 990 004	Catch Slide
102	1 604 616 022	Compression Spring
103	1 602 388 035	Cable routing
803	1 604 010 BC1	Armature
804	1 607 000 967	Switch BLACK
808	1 601 11A 3H3	Nameplate
810	1 607 014 171	Carbon-Brush Set
814	1 600 905 023	groove ball bearing 10x35x11
816	1 604 336 048	Brush Holder
821	1 607 000 968	Gear Housing
822	1 607 000 985	Bearing Flange Ø230 MM
826	1 600 A00 5BH	Assembly Of Service Parts
840	1 607 000 206	Push-Button BLACK
846	1 607 000 C3E	Retaining Washer
851	2 600 910 001	Needle-Roller Bearing Ø14 MM
650/30/20	1 600 210 039	O-Ring 20,35x1,78 MM
700	1 607 000 251	Parts Set Ø230 MM
700/20/30	2 910 281 244	Round-Head Bolt DIN 603-M 8x25
700/20/40	2 915 191 007	Wing Nut DIN 315-M8-GT-C
700/20/60	1 604 643 003	Compression Spring
701	1 608 135 003	Guide Block
702	1 605 510 180	Protective Cover Ø230 MM
703	1 607 000 247	Strap-Shaped Handle
703/11	2 603 450 007	Hex Screw M14x16x1,5 MM
704	1 605 510 181	Protective Cover Ø110 MM
730	1 608 601 007	Backing Pad Ø230 MM
730/20	1 603 345 004	Round Nut M14
730/30	2 916 011 022	Plain Washer DIN 125-A15-ST
740	1 601 329 013	Protecting Cover
750/10	2 602 025 075	Auxiliary Handle M14x1,5 MM BLACK
750/20	1 607 950 048	Pin-Type Face-Wrench
750/30	1 605 703 099	Clamping-Flange Ø22,2x42 MM
750/40	1 603 340 040	Clamping Nut M14
751	1 605 510 223	Protective Cover Ø230 MM

Spare parts list

Item	Part Number	Description
752	1 600 A01 6PP	Fast Locking Flange
763	1 600 793 007	Suction Bend Ø 35 MM
764	1 607 950 004	Pin-Type Face-Wrench

Illustration - Type - E

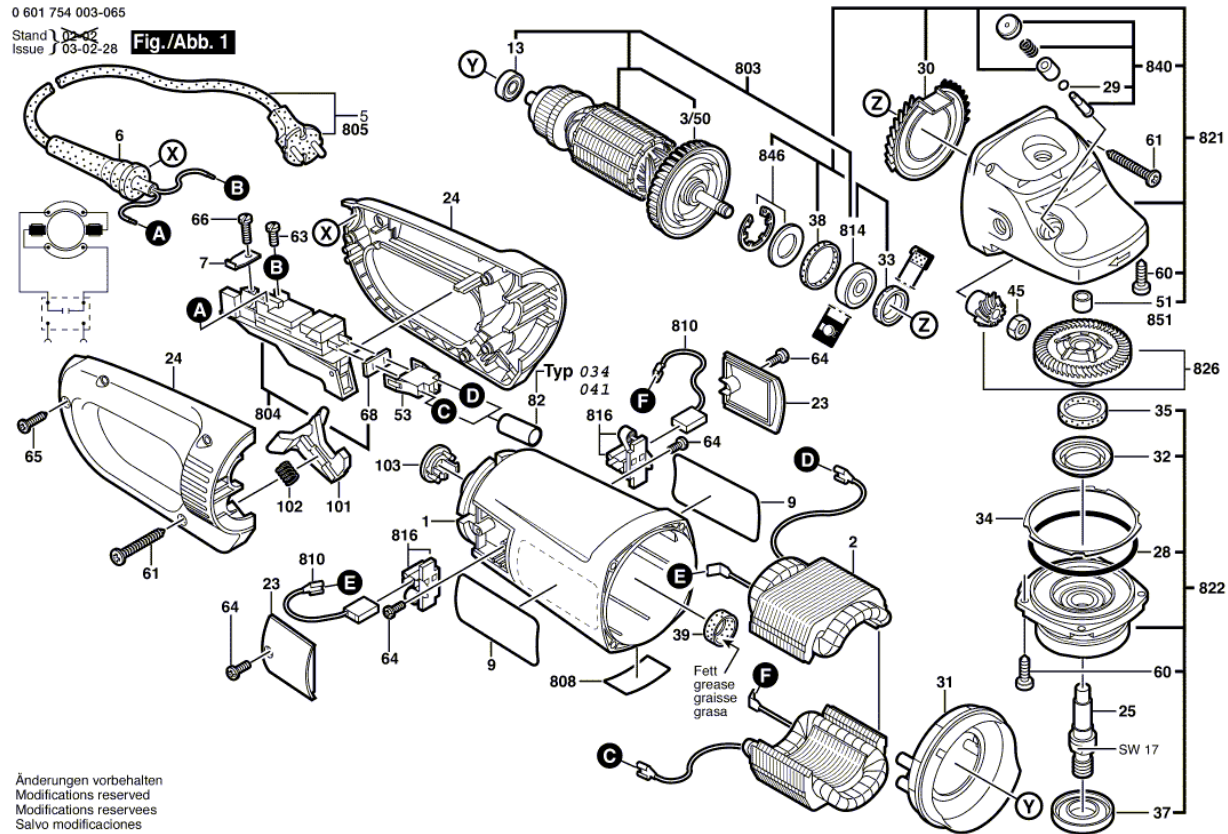
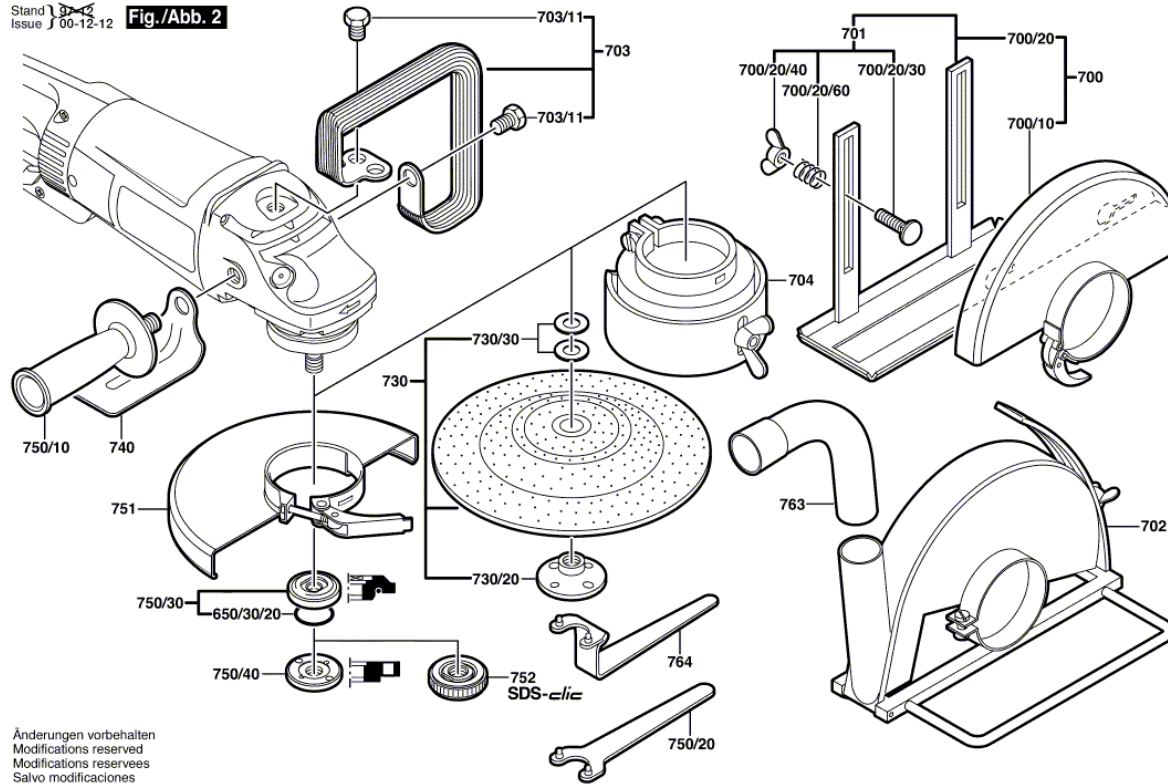


Illustration - Type - E

0 601 754 003-065
 Stand 19-12
 Issue 00-12-12

Fig./Abb. 2



Änderungen vorbehalten
 Modifications reserved
 Modificaciones reserves
 Salvo modificaciones