



BOSCH

Angle Grinder

GWS 24-180 | 3 601 HC2 080

Table of Content

Spare parts list.....	2
Illustration - Type.....	4

Angle Grinder | GWS 24-180 | 3 601 HC2 080

Spare parts list				
Item	Part Number	Description		
1	1 619 P15 457	Motor Housing		
2	1 619 P14 999	Field		
5	1 619 P08 921	Power supply cord H07 RN-F	CN 4,15m 2 x 1,50mm	
6	1 619 P14 369	Grommet		
7	1 601 302 018	Fastening Clamp		
13	1 600 905 011	groove ball bearing	8x22x7	
14	1 600 905 028	groove ball bearing		
24	1 619 P15 273	Handle		
28	1 600 210 033	O-Ring	79,0x1,78 MM	
29	1 600 210 045	O-Ring	8,0x1,0 MM	
30	1 619 P15 274	Air Distributor		
31	1 600 591 07T	Air-Deflector Ring		
32	1 600 290 019	Retaining snap ring		
33	1 600 290 013	Rotary shaft lip seal	18,7 MM	RED
34	1 600 190 020	Shim	0,15 MM	THICK
34	1 600 190 021	Shim	0,3 MM	THICK
34	1 600 190 022	Shim	0,1 MM	THICK
34	1 600 190 037	Shim	0,2 MM	THICK
34	1 600 190 038	Shim	0,25 MM	THICK
34	1 600 190 039	Shim	0,35 MM	THICK
34	1 600 190 040	Shim	0,4 MM	THICK
35	1 600 205 034	Felt Washer		
37	1 600 290 036	Seal Ring	BLACK	
38	1 600 206 020	Rubber Ring	7 MM	WIDE
39	1 600 206 030	Rubber Ring		
45	1 603 300 019	Hex Nut	M10, SW14	
51	2 600 910 001	Needle-Roller Bearing	Ø14 MM	
53	1 605 190 068	Socket Housing		
60	1 603 435 023	Thread-forming tap. Screw	TT M5x18 MM	
61	2 912 401 038	Tapping Screw	DIN 7981-4,8x38-C-Z-ST	
62	1 603 435 060	Tapping Screw	4,8x55	
63	1 603 410 014	Pan head screw	M4x10 MM	
64	1 603 435 042	Plastic-Cutting Screw	St3,9x12	
65	2 912 401 020	Tapping Screw	DIN 7981-3,9x19-C-Z-ST	

Angle Grinder | GWS 24-180 | 3 601 HC2 080

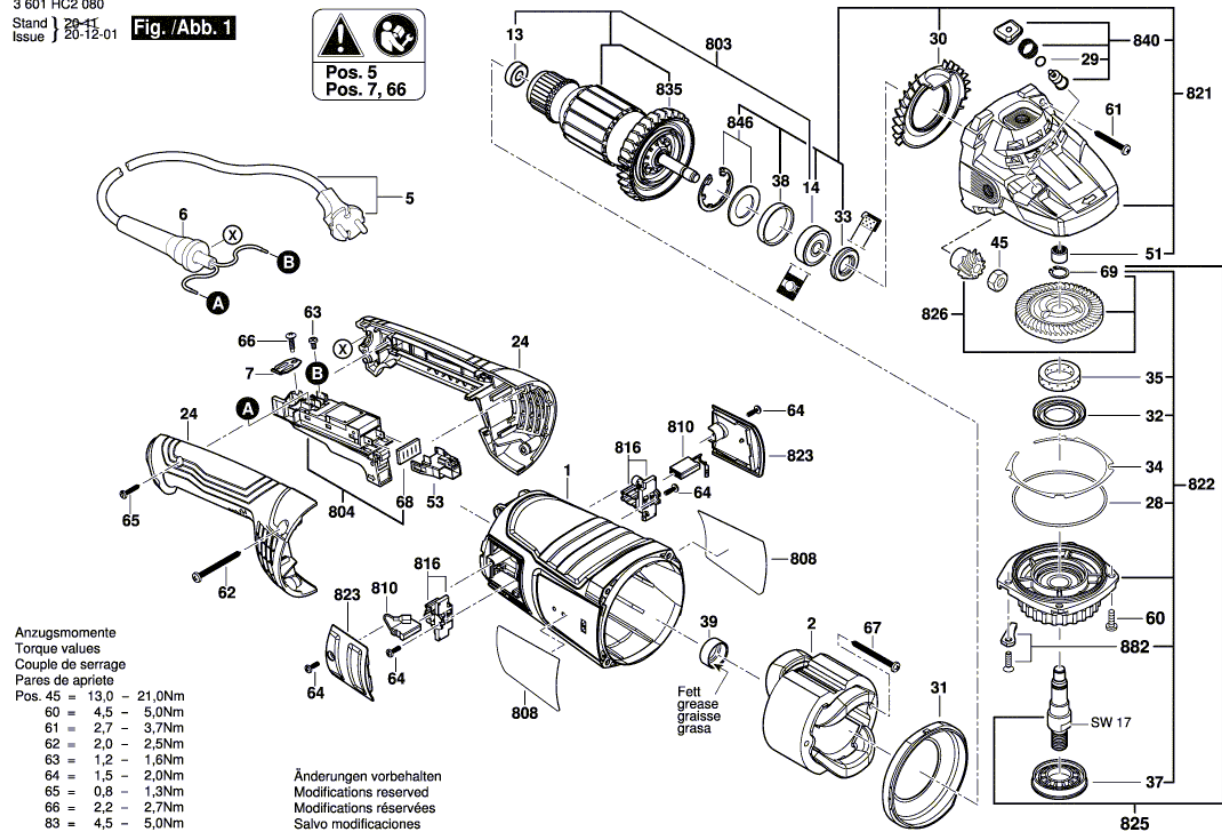
Spare parts list

Item	Part Number	Description	
66	2 910 211 019	Tapping Screw	DIN 7971-ST3,9x16-F
67	1 603 435 024	Tapping Screw	C4,8x63 MM
68	1 601 006 011	Sealing Plate	
69	2 916 650 905	Spring retaining ring	
803	1 619 P16 541	Armature	
804	1 619 P14 968	Switch	
808	1 619 P16 071	Label	
810	1 607 014 171	Carbon-Brush Set	
816	1 604 336 048	Brush Holder	
821	1 619 P15 750	Gear Housing	
822	1 619 P15 751	Bearing Flange	Ø180 MM
823	1 619 P15 945	Sealing cap	
825	1 619 P15 297	Grinding Spindle	
826	1 619 P15 405	Bevel Gear Set	Ø180 MM
835	1 600 A00 J93	Fan	
840	1 619 P15 752	Push-Button	
846	1 607 000 342	Retaining Washer	
882	1 619 P06 597	Stopper	
651	1 619 P15 622	Protective Cover	Ø180 MM
890	1 600 210 039	O-Ring	20,35x1,78 MM
891	1 619 P09 013	Auxiliary Handle	
891/1	1 602 025 09Z	Auxiliary Handle	
892	1 607 950 061	Pin-Type Face-Wrench	
893	2 605 703 014	Clamping Flange	Ø22,3xØ42 MM
894	1 603 345 043	Round Nut	M14
896	1 600 A01 6PP	Fast Locking Flange	
897	1 605 430 003	Grease Tube	225 ML
898	1 615 430 020	Grease Tube	225 ML

Illustration - Type - E

3 601 HC2 080
 Stand } 20-11
 Issue } 20-12-01

Fig./Abb. 1



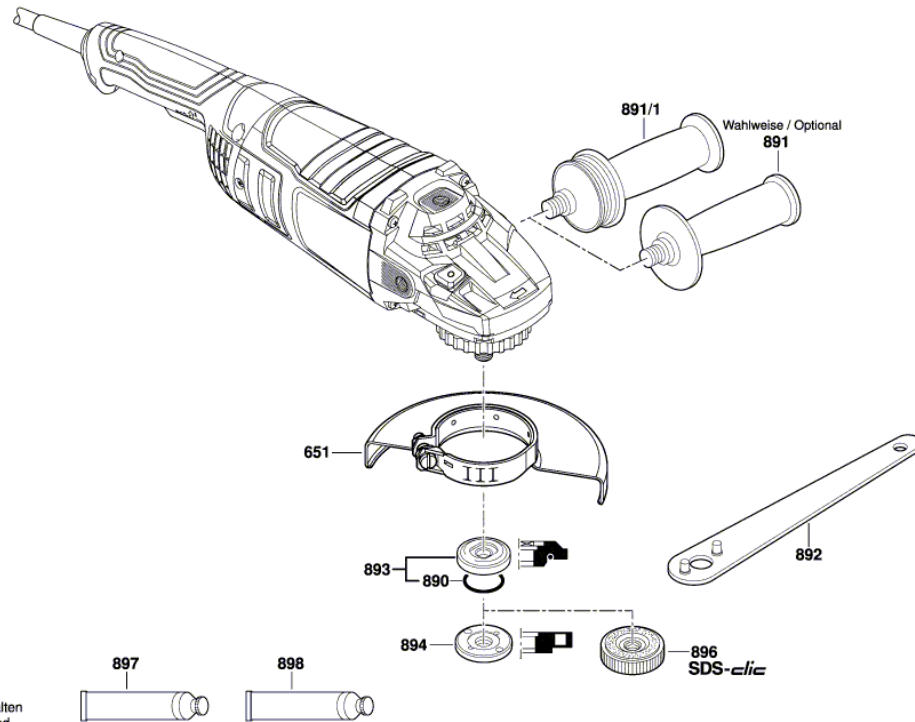
Anzugsmomente
 Torque values
 Couple de serrage
 Pares de apriete

- Pos. 45 = 13,0 - 21,0Nm
- 60 = 4,5 - 5,0Nm
- 61 = 2,7 - 3,7Nm
- 62 = 2,0 - 2,5Nm
- 63 = 1,2 - 1,6Nm
- 64 = 1,5 - 2,0Nm
- 65 = 0,8 - 1,3Nm
- 66 = 2,2 - 2,7Nm
- 83 = 4,5 - 5,0Nm

Änderungen vorbehalten
 Modifications reserved
 Modifications réservées
 Salvo modificaciones

Illustration - Type - E

3 601 HC2 080
Stand } 20-11-26
Issue } **Fig. /Abb. 2**



Änderungen vorbehalten
Modifications reserved
Modifications réservées
Salvo modificaciones