



BOSCH

Angle Grinder

GWS 24-180 JZ | 3 601 HC2 380

Table of Content

Spare parts list.....	2
Illustration - Type.....	4

Spare parts list

Item	Part Number	Description		
1	1 619 P15 457	Motor Housing		
2	1 619 P14 999	Field		
5	1 619 P08 921	Power supply cord H07 RN-F	CN 4,15m 2 x 1,50mm	
6	1 619 P14 369	Grommet		
7	1 601 302 018	Fastening Clamp		
13	1 600 905 011	groove ball bearing	8x22x7	
14	1 600 905 028	groove ball bearing		
24	1 619 P16 039	Handle		
28	1 600 210 033	O-Ring	79,0x1,78 MM	
29	1 600 210 045	O-Ring	8,0x1,0 MM	
30	1 619 P15 274	Air Distributor		
31	1 600 591 07T	Air-Deflector Ring		
32	1 600 290 019	Retaining snap ring		
33	1 600 290 064	Rotary shaft lip seal	16 MM	BLUE
34	1 600 190 020	Shim	0,15 MM	THICK
34	1 600 190 021	Shim	0,3 MM	THICK
34	1 600 190 022	Shim	0,1 MM	THICK
34	1 600 190 037	Shim	0,2 MM	THICK
34	1 600 190 038	Shim	0,25 MM	THICK
34	1 600 190 039	Shim	0,35 MM	THICK
34	1 600 190 040	Shim	0,4 MM	THICK
35	1 600 205 034	Felt Washer		
37	1 600 290 036	Seal Ring	BLACK	
38	1 600 206 020	Rubber Ring	7 MM	WIDE
39	1 600 206 030	Rubber Ring		
45	1 603 300 019	Hex Nut	M10, SW14	
51	2 600 910 001	Needle-Roller Bearing	Ø14 MM	
60	1 603 435 023	Thread-forming tap. Screw	TT M5x18 MM	
61	2 912 401 038	Tapping Screw	DIN 7981-4,8x38-C-Z-ST	
62	1 603 435 060	Tapping Screw	4,8x55	
63	1 603 410 014	Pan head screw	M4x10 MM	
64	1 603 435 042	Plastic-Cutting Screw	St3,9x12	
65	2 912 401 020	Tapping Screw	DIN 7981-3,9x19-C-Z-ST	
66	2 910 211 019	Tapping Screw	DIN 7971-ST3,9x16-F	

Spare parts list

Item	Part Number	Description
67	1 603 435 024	Tapping Screw C4,8x63 MM
69	2 916 650 905	Spring retaining ring
85	1 619 P15 700	Dust Separator
86	1 619 P16 040	Air Deflection
803	1 619 P16 541	Armature
804	1 619 P16 542	Switch
808	1 619 P16 073	Label
810	1 607 014 171	Carbon-Brush Set
816	1 604 336 048	Brush Holder
821	1 619 P15 871	Gear Housing
822	1 619 P15 751	Bearing Flange Ø180 MM
823	1 619 P15 945	Sealing cap
825	1 619 P15 297	Grinding Spindle
826	1 619 P15 947	Bevel Gear Set 180
835	1 600 A00 J93	Fan
840	1 619 P15 752	Push-Button
846	1 607 000 342	Retaining Washer
882	1 619 P06 597	Stopper
651	1 619 P15 622	Protective Cover Ø180 MM
890	1 600 210 039	O-Ring 20,35x1,78 MM
891	1 619 P09 013	Auxiliary Handle
891/1	1 602 025 09Z	Auxiliary Handle
892	1 607 950 061	Pin-Type Face-Wrench
893	2 605 703 014	Clamping Flange Ø22,3xØ42 MM
894	1 603 345 043	Round Nut M14
896	1 600 A01 6PP	Fast Locking Flange
897	1 605 430 003	Grease Tube 225 ML
898	1 615 430 020	Grease Tube 225 ML

Illustration - Type - E

3 601 HC2 380
 Stand } 20-11-26
 Issue }

Fig. /Abb. 1

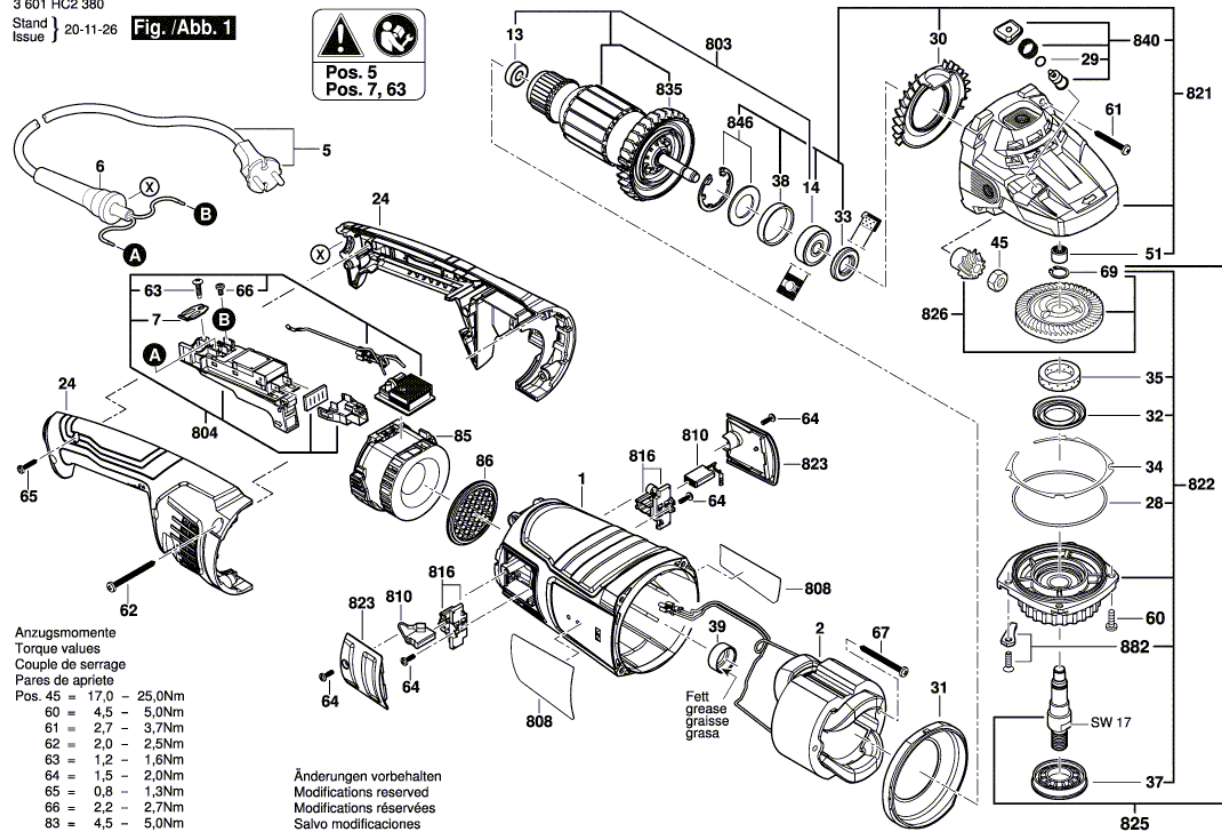
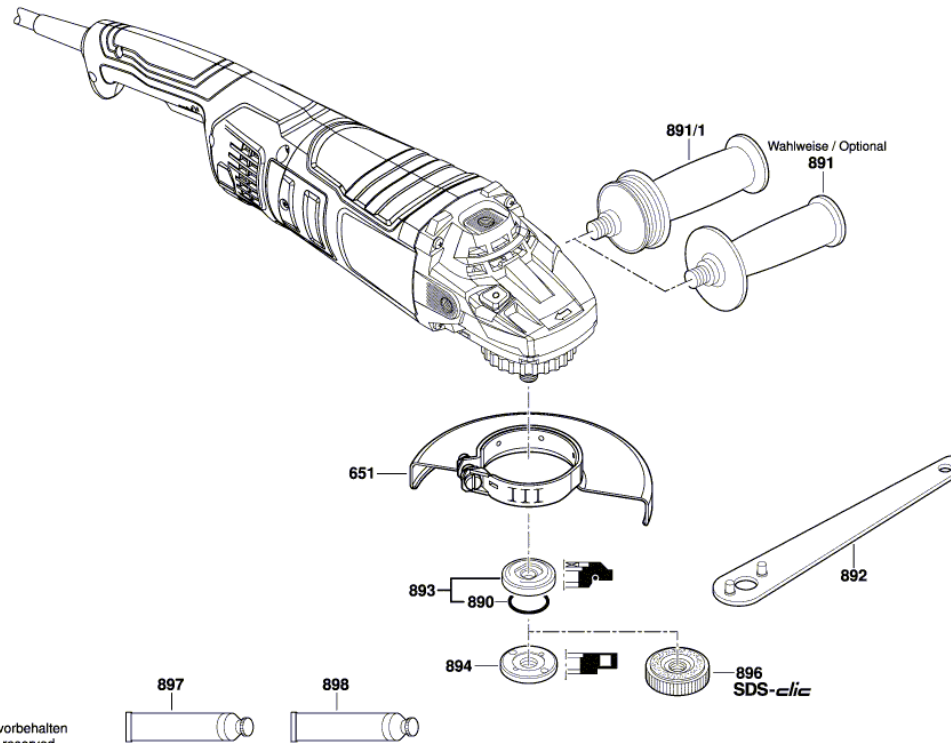


Illustration - Type - E

3 601 HC2 380
Stand } 20-11-26
Issue } **Fig. /Abb. 2**



Änderungen vorbehalten
Modifications reserved
Modifications réservées
Salvo modificaciones