



**BOSCH**

# Angle Grinder

GWS 30-230 B | 3 601 HG1 080

---

## Table of Content

Spare parts list.....	2
Illustration - Type.....	4

**Spare parts list**

<b>Item</b>	<b>Part Number</b>	<b>Description</b>		
1	1 619 P15 990	Motor Housing		
5	1 619 P08 921	Power supply cord H07 RN-F	CN 4,15m 2 x 1,50mm	
6	1 619 P14 369	Grommet		
7	1 601 302 018	Fastening Clamp		
14	1 600 905 028	groove ball bearing		
23	1 619 P16 044	Filter		
24	1 619 P16 021	Handle		
28	1 600 210 033	O-Ring	79,0x1,78 MM	
29	1 600 210 045	O-Ring	8,0x1,0 MM	
30	1 600 591 029	Air Distributor		
31	1 619 P16 023	Air-Deflector Ring		
32	1 600 290 019	Retaining snap ring		
33	1 600 290 013	Rotary shaft lip seal	18,7 MM	RED
34/6	1 600 190 020	Shim	0,15 MM	THICK
34/6	1 600 190 021	Shim	0,3 MM	THICK
34/6	1 600 190 022	Shim	0,1 MM	THICK
34/6	1 600 190 037	Shim	0,2 MM	THICK
34/6	1 600 190 038	Shim	0,25 MM	THICK
34/6	1 600 190 039	Shim	0,35 MM	THICK
34/6	1 600 190 040	Shim	0,4 MM	THICK
35	1 600 205 034	Felt Washer		
36	1 619 P17 207	Insert		
37	1 619 P16 024	Seal Ring		
38	1 610 210 128	O-Ring	35,0x3,0 MM	
39	1 619 P17 336	Plug		
45	1 603 300 019	Hex Nut	M10, SW14	
47	1 619 P16 535	Spring retaining ring		
48	1 619 P16 027	Electronics Module		
51	2 600 910 001	Needle-Roller Bearing	Ø14 MM	
53	1 619 P16 507	O-Ring		
54	1 600 210 038	O-Ring	38,0x1,5 MM	
58	1 619 P16 506	Cover		
60	1 603 435 023	Thread-forming tap. Screw	TT M5x18 MM	
61	2 912 401 038	Tapping Screw	DIN 7981-4,8x38-C-Z-ST	

**Spare parts list**

<b>Item</b>	<b>Part Number</b>	<b>Description</b>	
62	1 603 435 060	Tapping Screw	4,8x55
63	1 603 410 014	Pan head screw	M4x10 MM
64	2 601 030 006	fixing plate	
65	2 912 401 020	Tapping Screw	DIN 7981-3,9x19-C-Z-ST
66	2 910 211 019	Tapping Screw	DIN 7971-ST3,9x16-F
67	1 619 P02 043	Screw	
69	2 916 650 905	Spring retaining ring	
802	1 619 P17 476	Stator	
803	1 619 P17 480	Rotor	
803/1	1 619 P17 217	Bearing set	
804	1 619 P17 478	Switch	
808	1 619 P17 498	Nameplate	
821	1 619 P17 219	Gear Housing	
822	1 619 P15 872	Bearing Flange	Ø 230MM
825	1 619 P17 222	Grinding Spindle	
826	1 619 P17 155	Bevel Gear Set	
835	1 619 P16 030	Fan	
840	1 619 P17 224	Push-Button	
855	1 619 P17 225	Electronics Module	
882	1 619 P06 597	Stopper	
893	1 619 P17 227	Clamping Flange	
651	1 619 P15 668	Protective Cover	Ø230 MM
891	1 602 025 09Z	Auxiliary Handle	
892	1 619 P16 289	Pin-Type Face-Wrench	
894	1 619 P17 248	Round Nut	
896	1 600 A01 6PP	Fast Locking Flange	
897	1 605 430 003	Grease Tube	225 ML
898	1 615 430 020	Grease Tube	225 ML

Illustration - Type - E

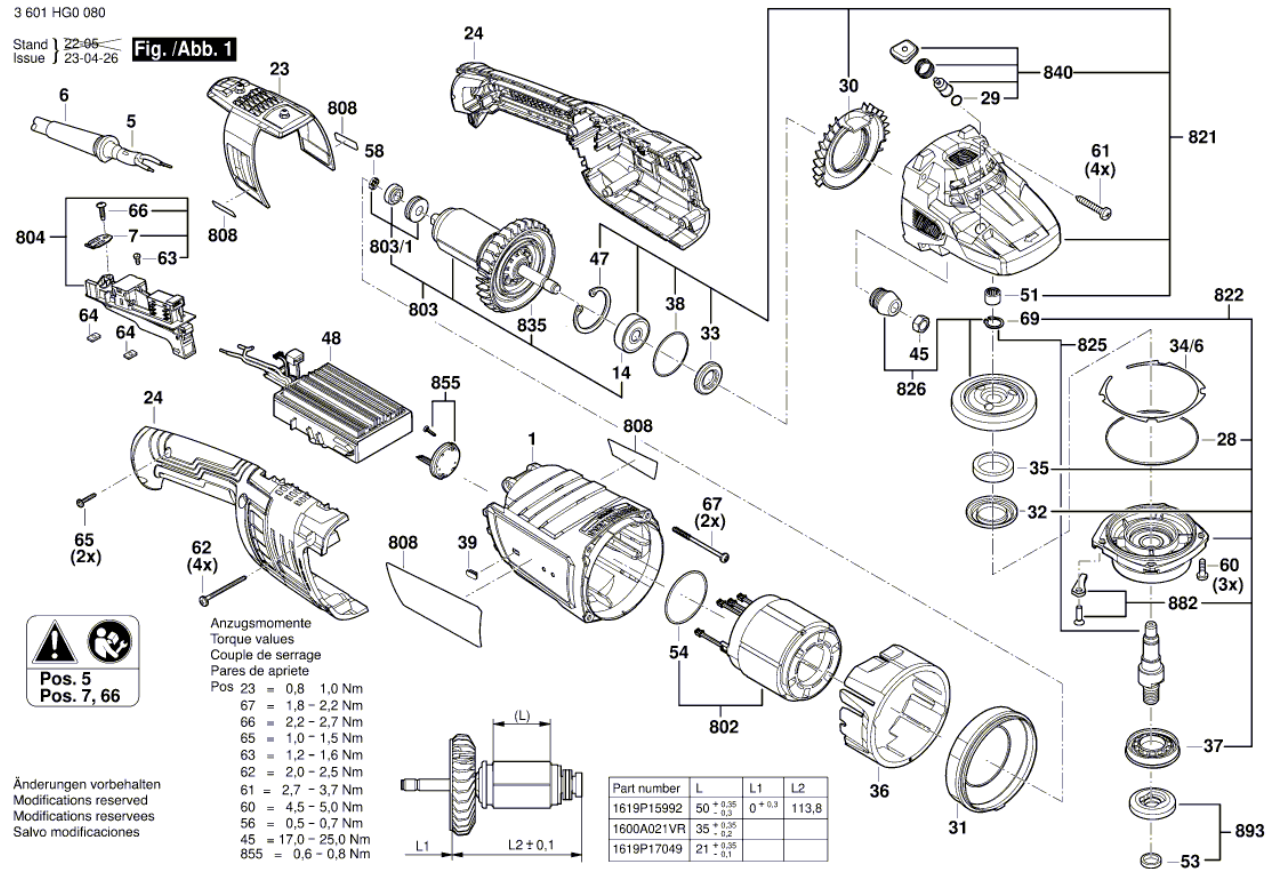
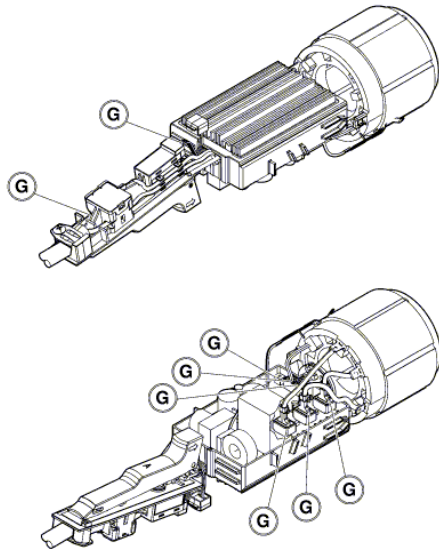


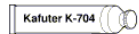
Illustration - Type - E

3 601 HG0 080

Stand } 23-04  
Issue } 23-09-06 **Fig. /Abb. 2**



**G** = Apply glue on eight connectors!!  
Klebstoff auf acht Stecker auftragen!!



Änderungen vorbehalten  
Modifications reserved  
Modificaciones reservées  
Salvo modificaciones

