



BOSCH

Angle Grinder

GWS 5-100 | 0 601 376 0E3

Table of Content

Spare parts list.....	2
Illustration - Type.....	4

Angle Grinder | GWS 5-100 | 0 601 376 0E3

Spare parts list

Item	Part Number	Description
1	1 619 P09 772	Motor Housing
3/50	1 606 610 141	Fan
4	1 607 200 146	Switch
5	1 604 460 263	Power supply cord H05 W-F CN 2,65m 2 x 0,75mm
6	2 600 703 012	Grommet Ø6,5-Ø6,9x95 MM
7	1 601 302 017	Fastening Clamp
9	2 609 130 613	Manufacturer's nameplate GWS 5-100
12	1 619 P07 647	Suppression Filter
13	1 619 P00 456	Ball Bearing 7x19x6 MM
14	1 619 P00 455	Ball Bearing
16	1 619 P01 811	Brush Holder
17	1 604 652 013	Spiral Spring
18	1 604 611 031	Compression Spring
22	1 602 319 009	Adjusting Slide
23	1 619 P02 762	Switch Button BLACK
25	1 605 500 194	Housing Cover BLUE
26	1 600 502 023	Intermediate Ring
27	1 600 206 025	Rubber Ring
29	1 600 591 023	Air-Deflector Ring
30	1 600 591 024	Air-Deflector Ring
32	1 603 523 111	Grinding Spindle M10, SW12
33	1 600 210 041	O-Ring 42,0x1,1 MM
35	1 600 136 016	Shim 0,1 MM THICK
35	1 600 136 017	Shim 0,2 MM THICK
37	1 600 100 033	Cover Disc
38	2 609 110 150	Conversion Gear
39	2 609 110 149	Pinion
45	2 915 011 007	Hex Nut DIN 934-M6-8-A
47	2 609 110 052	Special Screw
48	1 619 P00 220	Torx Oval-Head Screw 3x10
49	1 603 435 068	Thread-forming tap. Screw DIN 7500, M4x10, SR10.2
50	2 910 611 020	Tapping Screw DIN 7981-ST3,9x19-C-H
55	2 910 611 022	Tapping Screw DIN 7981-ST3,9x25-C-H
80	1 619 P09 390	Cover Disc

Spare parts list

Item	Part Number	Description
802	2 609 120 100	Field 230V
803	2 609 120 101	Armature 230V
808	1 619 P06 689	Nameplate
810	1 619 P07 571	Carbon-Brush Set
821	1 605 806 466	Gear Housing
828	1 619 P02 708	Bearing Flange BLACK
840	1 607 000 298	Push-Button BLACK
841	1 600 910 018	Needle bearing Ø8xØ12x8 MM
857	2 910 641 081	Oval-Head Screw DIN7985-M3,5x5-4.8-H
131	1 619 P01 598	Hex Screw Driver 4x95
132	3 602 311 050	Key Holder
650/10	1 619 P09 976	Round Nut With 2 Holes
650/20	2 609 110 015	Pin-Type Face-Wrench
650/50	1 605 703 113	Clamping-Flange M10, 16-20 MM
651	1 619 P02 838	Protective Cover Ø 100 MM BLACK
865	1 602 025 09T	Auxiliary Handle

Illustration - Type - E

0 601 376 1E3
Stand }
Issue } 14-07-22

Fig. /Abb. 1

Gerad - Verzahnung

- Vor Demontage des Ankers Kohlebürsten 5mm zurückziehen !
Before the armature is removed the carbon brushes must be withdrawn by at least 5mm !

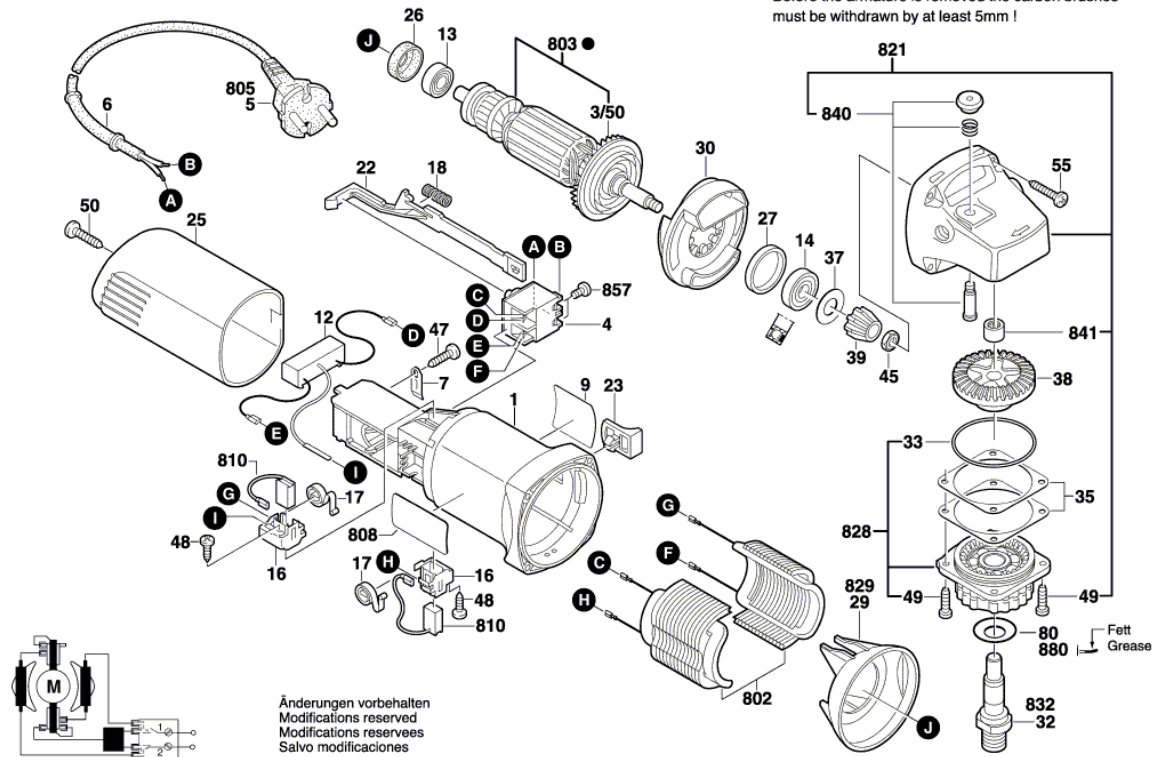
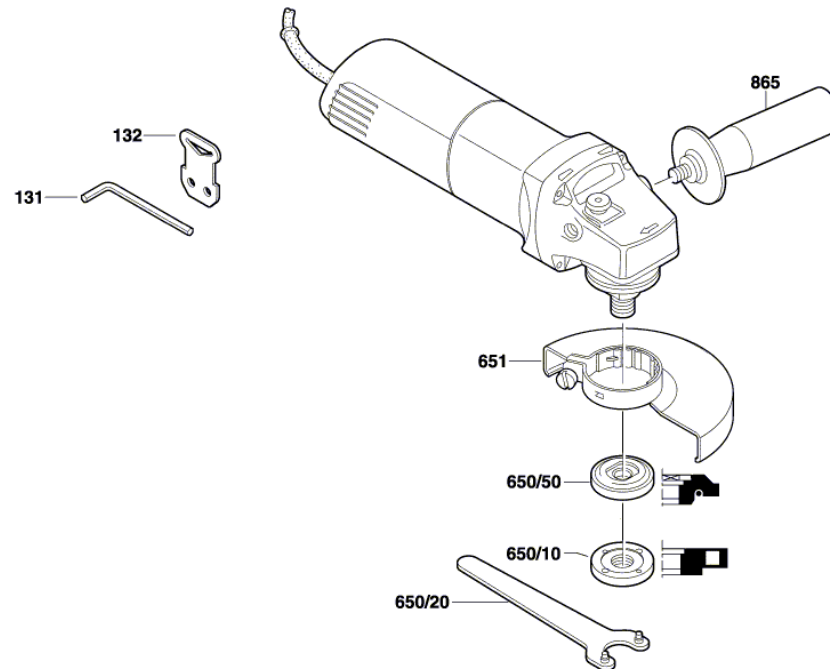


Illustration - Type - E

0 601 376 1E3
Stand } 08-07
Issue } 09-01-21 **Fig. /Abb. 2**



Änderungen vorbehalten
Modifications reserved
Modificacions reserves
Salvo modificaciones