



BOSCH

Angle Grinder

GWS 670 | 0 601 375 080

Table of Content

| | |
|--------------------------|---|
| Spare parts list..... | 2 |
| Illustration - Type..... | 4 |

Spare parts list

| Item | Part Number | Description |
|------|---------------|---|
| 1 | 1 619 P09 772 | Motor Housing |
| 2 | 1 604 220 328 | Field 220-240V |
| 3 | 1 604 010 626 | Armature 220-240V |
| 3/50 | 1 606 610 141 | Fan |
| 4 | 1 607 200 146 | Switch |
| 5 | 1 604 460 263 | Power supply cord H05 W-F CN 2,65m 2 x 0,75mm |
| 6 | 2 600 703 012 | Grommet Ø6,5-Ø6,9x95 MM |
| 7 | 1 601 302 017 | Fastening Clamp |
| 9 | 1 619 P00 377 | Manufacturer's nameplate GWS 670 |
| 12 | 1 619 P07 647 | Suppression Filter |
| 13 | 2 600 905 032 | Ball Bearing 7x19x6 |
| 14 | 1 619 P11 240 | groove ball bearing |
| 16 | 1 619 P01 811 | Brush Holder |
| 17 | 1 604 652 013 | Spiral Spring |
| 18 | 1 604 611 031 | Compression Spring |
| 22 | 1 602 319 009 | Adjusting Slide |
| 23 | 1 602 026 068 | Switch Handle BLACK |
| 25 | 1 605 500 194 | Housing Cover BLUE |
| 26 | 1 600 502 024 | Intermediate Ring |
| 27 | 1 600 206 025 | Rubber Ring |
| 29 | 1 600 591 023 | Air-Deflector Ring |
| 30 | 1 600 591 024 | Air-Deflector Ring |
| 32 | 1 603 523 111 | Grinding Spindle M10, SW12 |
| 33 | 1 600 210 041 | O-Ring 42,0x1,1 MM |
| 35 | 1 600 136 016 | Shim 0,1 MM THICK |
| 35 | 1 600 136 017 | Shim 0,2 MM THICK |
| 37 | 1 600 100 033 | Cover Disc |
| 38 | 2 609 110 150 | Conversion Gear |
| 39 | 2 609 110 149 | Pinion |
| 45 | 2 915 011 007 | Hex Nut DIN 934-M6-8-A |
| 47 | 2 609 110 052 | Special Screw |
| 48 | 1 619 P00 220 | Torx Oval-Head Screw 3x10 |
| 49 | 1 603 435 068 | Thread-forming tap. Screw DIN 7500, M4x10, SR10.2 |
| 50 | 2 910 611 020 | Tapping Screw DIN 7981-ST3,9x19-C-H |

Spare parts list

| Item | Part Number | Description | |
|--------|---------------|------------------------|-----------------------|
| 55 | 2 910 611 022 | Tapping Screw | DIN 7981-ST3,9x25-C-H |
| 80 | 1 619 P09 390 | Cover Disc | |
| 808 | 1 619 P00 594 | Nameplate | |
| 810 | 1 607 014 145 | Carbon-Brush Set | |
| 821 | 1 605 806 466 | Gear Housing | |
| 828 | 1 605 805 090 | Bearing Flange | BLACK |
| 840 | 1 607 000 298 | Push-Button | BLACK |
| 841 | 1 600 910 018 | Needle bearing | Ø8xØ12x8 MM |
| 650/10 | 1 602 025 09T | Auxiliary Handle | |
| 650/20 | 1 619 P09 976 | Round Nut With 2 Holes | |
| 650/30 | 2 609 110 015 | Pin-Type Face-Wrench | |
| 650/50 | 1 605 703 113 | Clamping-Flange | M10, 16-20 MM |
| 651 | 2 609 110 050 | Protective Guard | Ø 115 MM |

Illustration - Type - E

0 601 375 043
Stand 03-07
Issue 08-01-28

Fig./Abb. 1

Gerad - Verzahnung

- Vor Demontage des Ankers Kohlebürsten 5mm zurückziehen !
Before the armature is removed the carbon brushes must be withdrawn by at least 5mm !

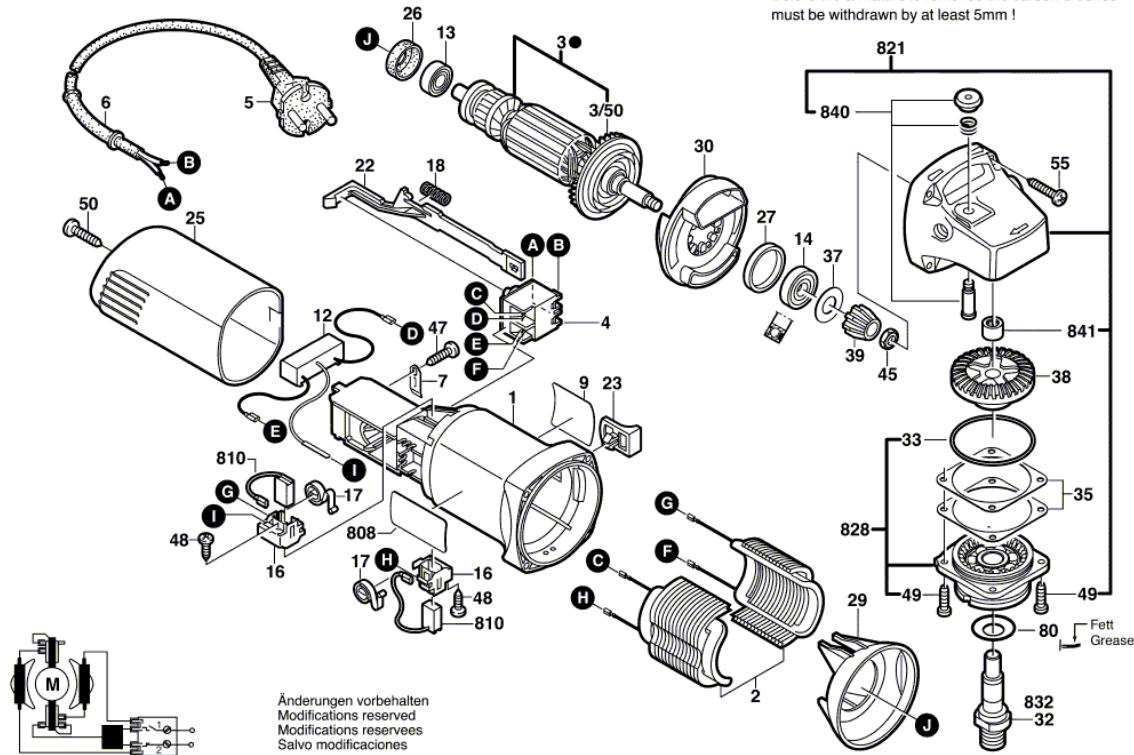
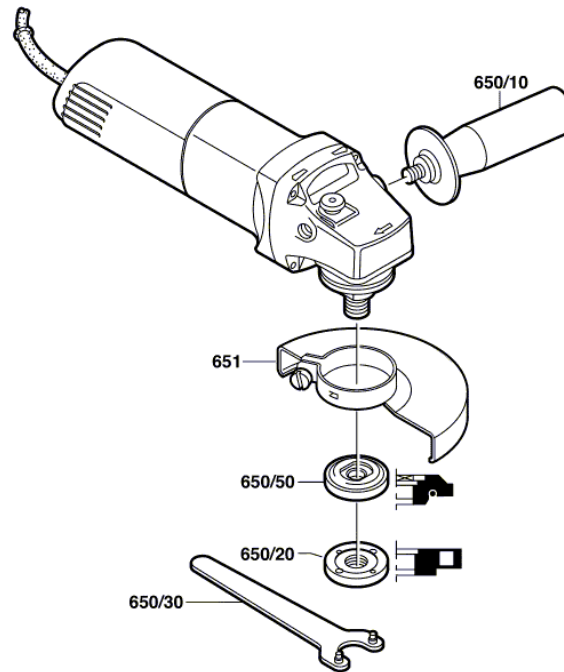


Illustration - Type - E

0 601 375 043
Stand } 03-04-09 **Fig./Abb. 2**
Issue }



Änderungen vorbehalten
Modifications reserved
Modificaciones reservées
Salvo modificaciones