



**BOSCH**

# Angle Grinder

GWS 7-100 | 3 601 C88 084

---

## Table of Content

Spare parts list.....	2
Illustration - Type.....	4

**Spare parts list**

<b>Item</b>	<b>Part Number</b>	<b>Description</b>
1	1 619 P09 415	Motor Housing
3	1 604 010 BK2	Armature
3/40	1 619 P02 801	Fan
4	1 607 200 146	Switch
5	1 604 460 263	Power supply cord H05 W-F CN 2,65m 2 x 0,75mm
6	2 600 703 012	Grommet Ø6,5-Ø6,9x95 MM
7	1 601 302 017	Fastening Clamp
13	1 619 P00 456	Ball Bearing 7x19x6 MM
14	1 619 P00 455	Ball Bearing
16	1 619 P02 845	Brush Holder
16/21	1 619 P02 809	Spiral Spring
18	1 604 611 031	Compression Spring
22	1 619 P02 811	Adjusting Slide
23	1 619 P10 838	Switch Button
24	1 619 P02 828	Brush-Cover
25	1 619 P02 843	Housing Cover
26	1 600 502 023	Intermediate Ring
27	1 600 206 025	Rubber Ring
29	1 619 P02 818	Air-Deflector Ring
30	1 619 P02 819	Air Distributor
32	1 619 P20 124	Grinding Spindle
35	1 619 P02 821	Shim 0,1 MM
35	1 619 P02 822	Shim 0,2 MM
36	1 619 P00 987	Washer
37	1 600 100 033	Cover Disc
38	1 619 P02 823	Crown Gear
39	1 619 P02 825	Bevel Gear
45	2 915 011 007	Hex Nut DIN 934-M6-8-A
47	2 609 110 052	Special Screw
48	1 619 P02 849	Torx Oval-Head Screw 3x8
49	1 603 435 068	Thread-forming tap. Screw DIN 7500, M4x10, SR10.2
50	1 619 P00 105	Torx Oval-Head Screw 4x20
55	1 619 P01 066	Torx Oval-Head Screw 4x25
57	1 619 P02 848	Torx Oval-Head Screw 4x12

Spare parts list

Item	Part Number	Description
80	1 619 P09 390	Cover Disc
802	1 619 P07 239	Field 220-230V
810	1 619 P02 870	Carbon-Brush Set
812	1 619 P07 240	Suppression Capacitor
828	1 619 P07 452	Bearing Flange
831	1 619 P02 872	Gear Housing
840	1 619 P02 873	Push-Button
841	1 600 910 018	Needle bearing Ø8xØ12x8 MM
858	2 910 641 081	Oval-Head Screw DIN7985-M3,5x5-4.8-H
650/10	1 619 P10 681	Auxiliary Handle
650/20	1 619 P09 976	Round Nut With 2 Holes
650/30	1 619 P08 928	Pin-Type Face-Wrench
650/50	1 605 703 113	Clamping-Flange M10, 16-20 MM
651	1 600 A00 XU5	Protective Cover Ø100 MM SILVER
894	1 615 430 020	Grease Tube 225 ML
895	1 605 430 003	Grease Tube 225 ML

Illustration - Type - E

3 601 C88 084  
Stand } 16-06  
Issue } 18-11-05

Fig. /Abb. 1

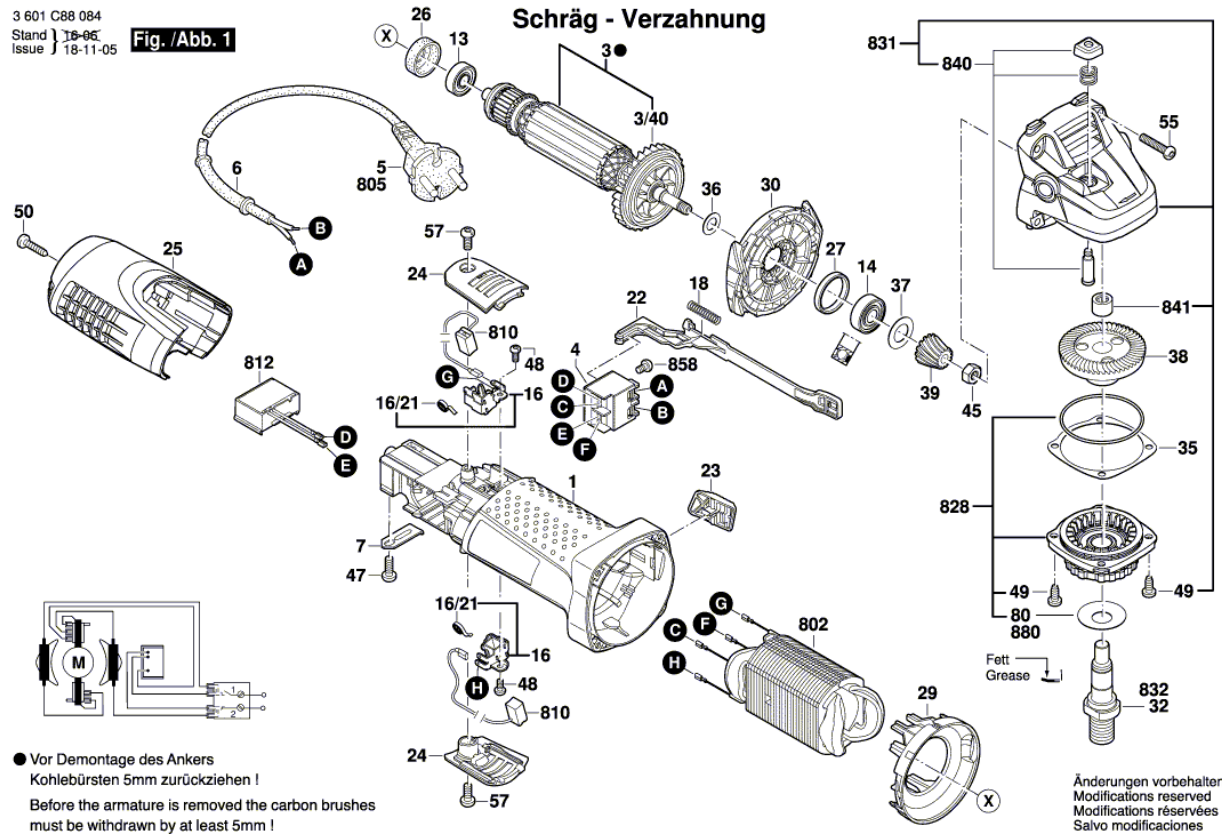
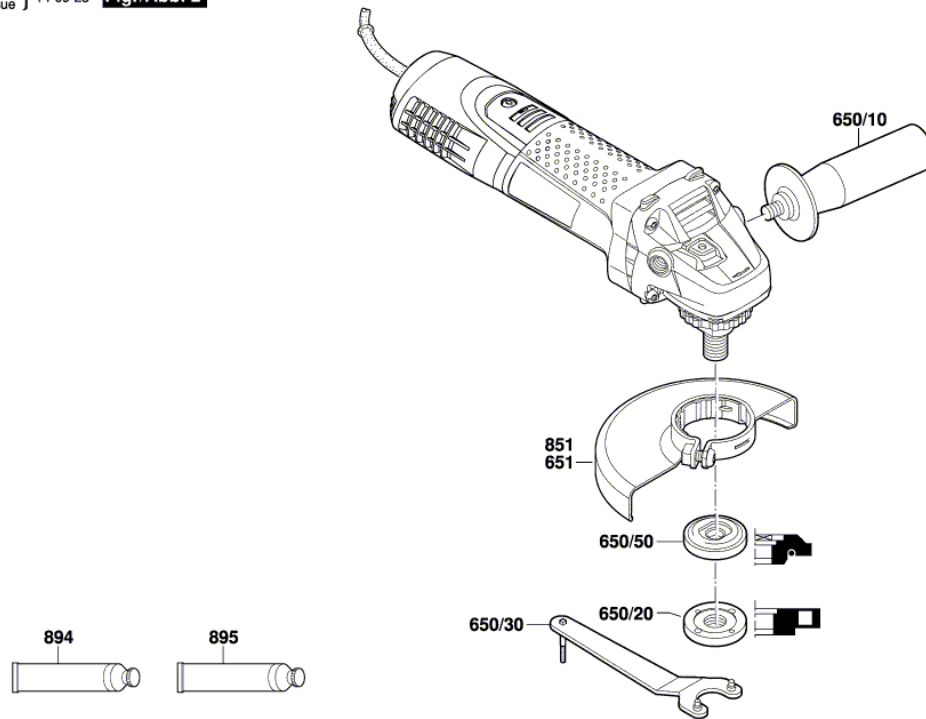


Illustration - Type - E

3 601 C88 084  
Stand } 14-09-23 **Fig./Abb. 2**  
Issue }



Änderungen vorbehalten  
Modifications reserved  
Modifications réservées  
Salvo modificaciones