



BOSCH

Angle Grinder

GWS 7-100 | 3 601 C88 087

Table of Content

Spare parts list.....	2
Illustration - Type.....	4

Spare parts list

Item	Part Number	Description	
1	1 619 P09 415	Motor Housing	
3	1 604 010 BK7	Armature	
3/40	1 619 P02 801	Fan	
4	1 607 200 179	On-Off Switch	
5	1 604 460 263	Power supply cord H05 W-F	CN 2,65m 2 x 0,75mm
6	2 600 703 012	Grommet	Ø6,5-Ø6,9x95 MM
7	1 601 302 017	Fastening Clamp	
9	1 619 P02 853	Manufacturer's nameplate	GWS 7-100
12	1 619 P15 039	Suppression Filter	
13	1 619 P00 456	Ball Bearing	7x19x6 MM
14	1 619 P00 455	Ball Bearing	
16	1 619 P02 845	Brush Holder	
16/21	1 619 P02 809	Spiral Spring	
18	1 604 611 031	Compression Spring	
22	1 619 P02 811	Adjusting Slide	
23	1 619 P10 838	Switch Button	
24	1 619 P02 828	Brush-Cover	
25	1 619 P02 843	Housing Cover	
26	1 619 P14 330	Intermediate Ring	
27	1 600 206 025	Rubber Ring	
29	1 619 P02 818	Air-Deflector Ring	
30	1 619 P02 819	Air Distributor	
32	1 619 P20 124	Grinding Spindle	
33	1 619 P14 257	O-Ring	
35	1 619 P02 821	Shim	0,1 MM
35	1 619 P02 822	Shim	0,2 MM
36	1 619 P00 987	Washer	
37	1 600 100 033	Cover Disc	
38	1 619 P02 823	Crown Gear	
39	1 619 P02 825	Bevel Gear	
45	2 915 011 007	Hex Nut	DIN 934-M6-8-A
47	2 609 110 052	Special Screw	
48	1 619 P02 849	Torx Oval-Head Screw	3x8
49	1 603 435 068	Thread-forming tap. Screw	DIN 7500, M4x10, SR10.2

Spare parts list

Item	Part Number	Description		
50	1 619 P00 105	Torx Oval-Head Screw	4x20	
55	1 619 P01 066	Torx Oval-Head Screw	4x25	
57	1 619 P02 848	Torx Oval-Head Screw	4x12	
80	1 619 P09 390	Cover Disc		
802	1 619 P07 239	Field	220-230V	
808	1 619 P20 578	Nameplate		
810	1 619 P02 870	Carbon-Brush Set		
828	1 619 P07 452	Bearing Flange		
828/1	1 619 P07 440	Ball Bearing		
828/3	2 916 660 013	Retaining clip	DIN 472-32x1,2 MM	
831	1 619 P02 872	Gear Housing		
840	1 619 P02 873	Push-Button		
841	1 600 910 018	Needle bearing	Ø8xØ12x8 MM	
858	2 910 641 081	Oval-Head Screw	DIN7985-M3,5x5-4.8-H	
650/10	1 602 025 09T	Auxiliary Handle		
650/20	1 619 P09 976	Round Nut With 2 Holes		
650/30	2 609 110 015	Pin-Type Face-Wrench		
650/50	1 605 703 113	Clamping-Flange	M10, 16-20 MM	
651	1 600 A00 XU5	Protective Cover	Ø100 MM	SILVER
894	1 615 430 020	Grease Tube	225 ML	
895	1 605 430 003	Grease Tube	225 ML	

Illustration - Type - E

3 601 C88 087
 Stand } 19-02
 Issue } 19-10-02

Fig. /Abb. 1

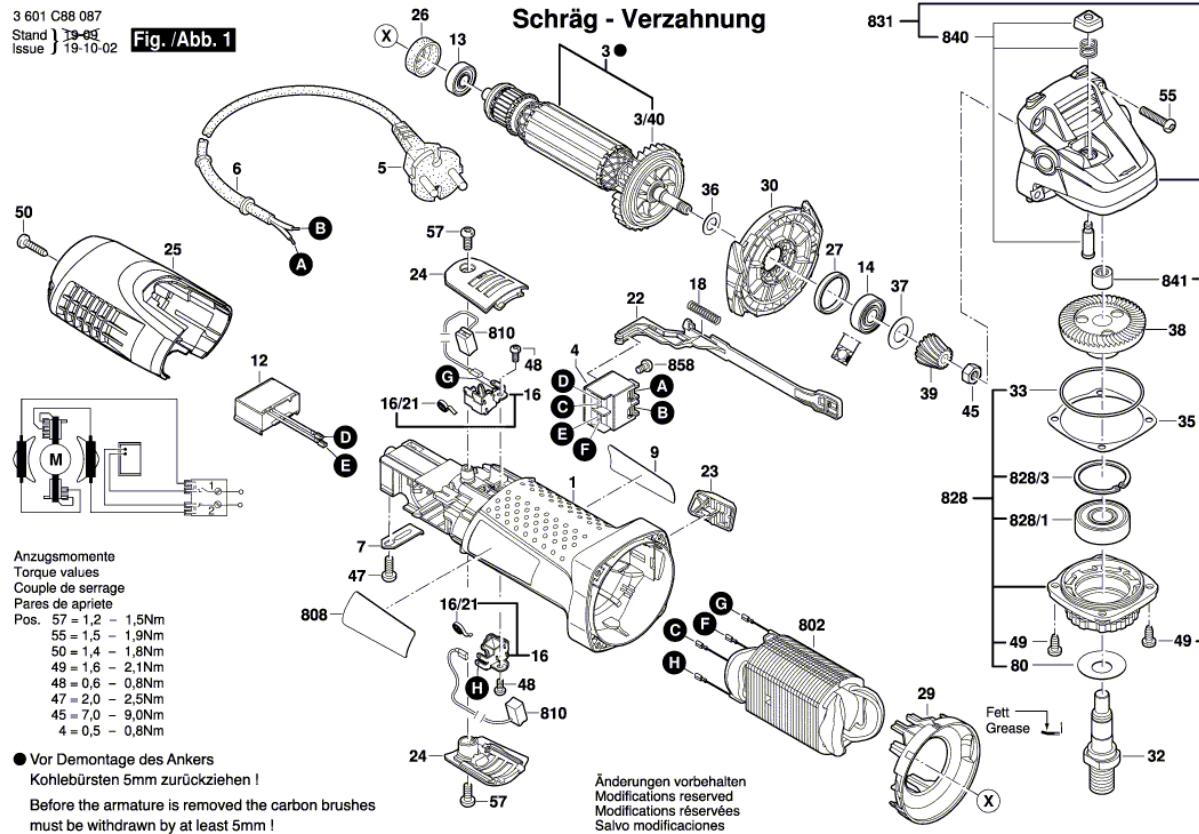
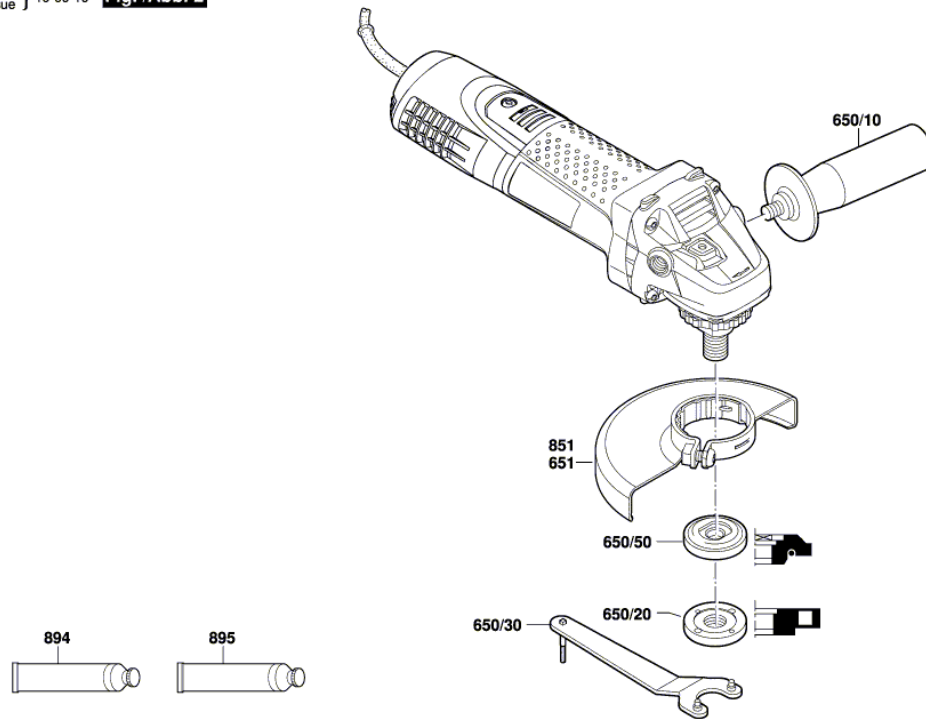


Illustration - Type - E

3 601 C88 087
Stand } 19-09-19
Issue } **Fig. /Abb. 2**



Änderungen vorbehalten
Modifications reserved
Modifications réservées
Salvo modificaciones