



BOSCH

Angle Grinder

GWS 7-115 | 0 601 700 043

Table of Content

Spare parts list.....	2
Illustration - Type.....	4

Spare parts list

Item	Part Number	Description
2	1 604 220 458	Field
3/50	1 606 610 129	Fan
4	1 607 200 086	On-Off Switch
4/10	2 910 110 048	Pan head screw DIN 85-AM3x6-CUZN
5	1 604 460 223	Power supply cord CN 2,65m 2 x 1,0mm H05 RN-F
6	2 600 703 013	Grommet Ø7,6-Ø8,2x95 MM
7	1 601 302 017	Fastening Clamp
9	1 601 118 483	Manufacturer's nameplate
12	1 607 328 039	Suppression Filter
13	2 600 905 032	Ball Bearing 7x19x6
14	1 600 905 032	groove ball bearing 8x22x7
25	1 600 508 017	Housing Cover BLUE
26	1 600 206 036	Rubber Ring
27	1 600 206 025	Rubber Ring
29	1 600 591 025	Air-Deflector Ring
30	1 600 591 014	Air-Deflector Ring
31	1 601 290 007	Clamping Spring
32	1 607 000 D6A	Grinding Spindle
33	3 600 210 124	O-Ring 46,0x1,1 MM RED
35	1 600 136 013	Shim 0,1 MM THICK
35	1 600 136 014	Shim 0,2 MM THICK
35	1 600 136 015	Shim 0,3 MM THICK
38	1 606 333 616	Crown Gear Z=38
39	1 606 333 617	Bevel Gear Z=11
40	1 600 119 011	Retaining clip
41	1 600 910 018	Needle bearing Ø8xØ12x8 MM
45	1 603 300 016	Hex Nut M7, SW10
47	2 912 401 018	Tapping Screw DIN7981-ST3,9x13-C-Z
49	1 603 435 026	Thread-forming tap. Screw
50	2 912 401 420	Tapping Screw DIN7981-ST3,9x19-F-Z
53	1 604 448 013	Connecting Cable L=90 MM WHITE
55	1 603 415 005	Oval-Head Screw
80	1 619 P09 390	Cover Disc
104	1 600 210 044	O-Ring 4,5x1,0 MM BLUE

Spare parts list

Item	Part Number	Description
105	1 601 008 005	Insulating Plate
180	1 611 110 855	Sticker
301/1	1 605 108 213	Motor Housing BLUE
301/16	1 601 323 025	Brush Holder
301/17	1 604 652 013	Spiral Spring
301/18	1 602 026 057	Switch Handle BLACK
301/19	1 604 611 026	Compression Spring
301/20	1 602 319 010	Adjusting Slide BLACK
301/48	2 912 401 005	Tapping Screw DIN7981-ST2,9x9,5C-Z
803	1 604 010 633	Armature With Fan 220-230V
808	1 601 11A 3H3	Nameplate
810	1 607 014 176	Carbon-Brush Set
821	1 605 806 465	Gear Housing SILVER
821/010	1 607 000 253	Push-Button BLACK
828	1 605 805 079	Bearing Flange BLACK
650/50/20	1 600 210 039	O-Ring 20,35x1,78 MM
750/10	1 602 025 09T	Auxiliary Handle
750/20	1 603 340 040	Clamping Nut M14
750/30	1 607 950 043	Pin-Type Face-Wrench
750/50	1 605 703 099	Clamping-Flange Ø22,2x42 MM
751	2 605 510 102	Protective Cover Ø 115MM
752	1 600 A01 6PP	Fast Locking Flange
753	1 605 438 100	Carrying Case

Illustration - Type - E

0 601 700 003 / 048
 Stand 06-04
 Issue 07-09-12 **Fig./Abb. 1**

Gerad - Verzahnung

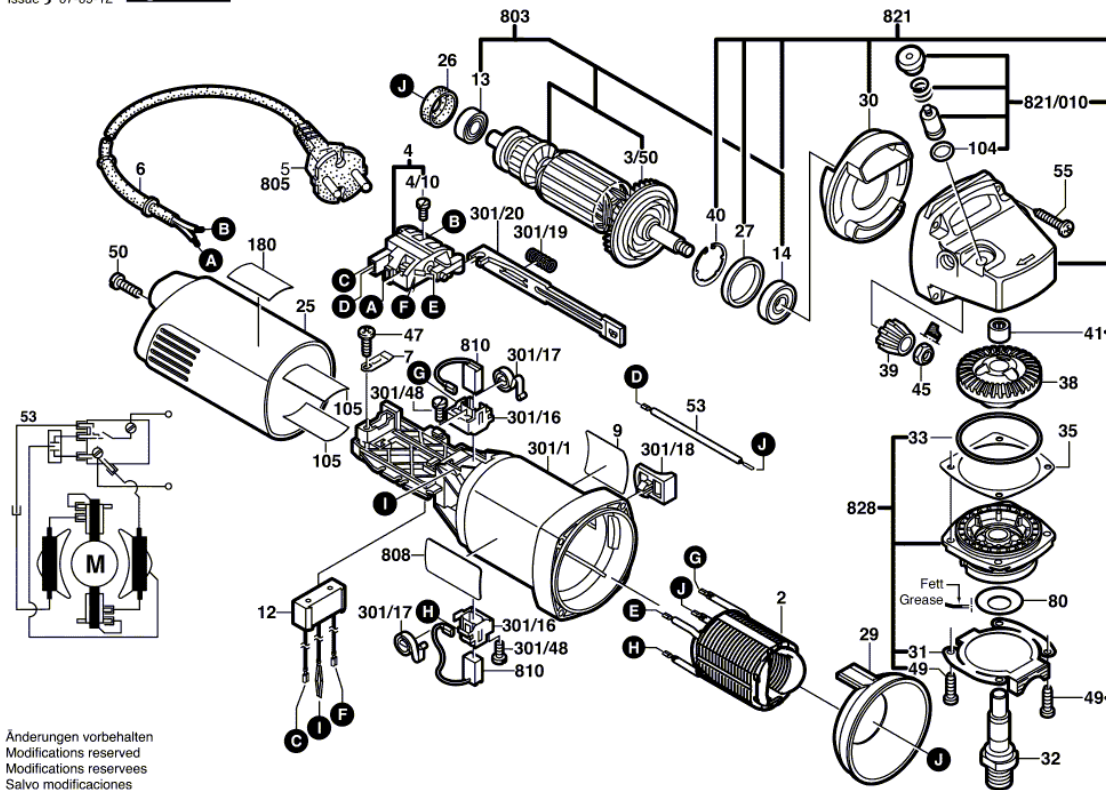
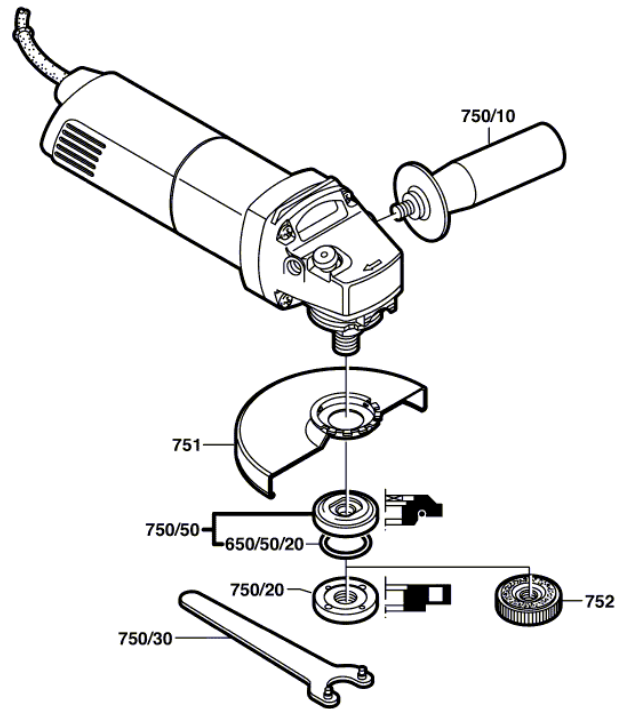
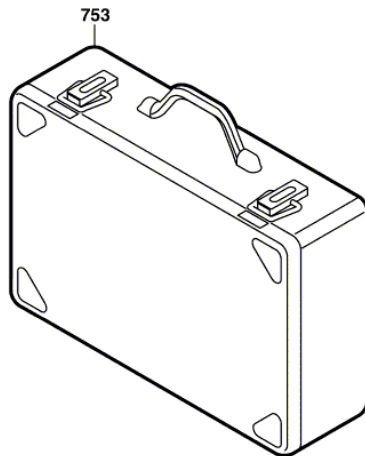


Illustration - Type - E

0 601 700 003 / 048

Stand | 20-21 | **Fig./Abb. 2**
Issue | 00-08-28



Änderungen vorbehalten
Modifications reserved
Modifications reserves
Salvo modificaciones