



**BOSCH**

# Angle Grinder

GWS 7-125 ET | 3 601 C88 584

---

## Table of Content

Spare parts list.....	2
Illustration - Type.....	4

**Spare parts list**

<b>Item</b>	<b>Part Number</b>	<b>Description</b>	
1	1 619 P09 415	Motor Housing	
3	1 604 010 BK2	Armature	
3/40	1 619 P02 801	Fan	
4	1 607 200 146	Switch	
5	1 604 460 263	Power supply cord H05 W-F	CN 2,65m 2 x 0,75mm
6	2 600 703 012	Grommet	Ø6,5-Ø6,9x95 MM
7	1 601 302 017	Fastening Clamp	
13	1 619 P00 456	Ball Bearing	7x19x6 MM
14	1 619 P00 455	Ball Bearing	
16	1 619 P02 845	Brush Holder	
16/21	1 619 P02 809	Spiral Spring	
18	1 604 611 031	Compression Spring	
22	1 619 P02 811	Adjusting Slide	
23	1 619 P10 838	Switch Button	
24	1 619 P02 828	Brush-Cover	
25	1 619 P10 072	Housing Cover	
26	1 600 502 023	Intermediate Ring	
27	1 600 206 025	Rubber Ring	
28/1	1 619 P07 440	Ball Bearing	
28/3	2 916 660 013	Retaining clip	DIN 472-32x1,2 MM
29	1 619 P02 818	Air-Deflector Ring	
30	1 619 P02 819	Air Distributor	
32	1 619 P06 419	Grinding Spindle	M 14, SW 17
33	1 619 P02 820	O-Ring	44,0x1,0 MM
35	1 619 P02 821	Shim	0,1 MM
35	1 619 P02 822	Shim	0,2 MM
36	1 619 P00 987	Washer	
37	1 600 100 033	Cover Disc	
45	2 915 011 007	Hex Nut	DIN 934-M6-8-A
47	2 609 110 052	Special Screw	
48	1 619 P02 849	Torx Oval-Head Screw	3x8
49	1 603 435 068	Thread-forming tap. Screw M4x10, SR10.2	DIN 7500,
50	1 619 P00 105	Torx Oval-Head Screw	4x20
55	1 619 P01 066	Torx Oval-Head Screw	4x25

Spare parts list

Item	Part Number	Description
57	1 619 P02 848	Torx Oval-Head Screw 4x12
80	1 619 P09 390	Cover Disc
802	1 619 P07 239	Field 220-230V
810	1 619 P02 870	Carbon-Brush Set
828	1 619 P07 451	Bearing Flange
831	1 619 P07 276	Gear Housing
838	1 619 P13 518	Set Of Gears
840	1 619 P02 873	Push-Button
841	1 600 910 018	Needle bearing Ø8xØ12x8 MM
858	2 910 641 081	Oval-Head Screw DIN7985-M3,5x5-4.8-H
860	1 619 P07 277	Speed governor
650/10	1 619 P10 681	Auxiliary Handle
650/20	1 603 345 043	Round Nut M14
650/30	1 619 P08 927	Pin-Type Face-Wrench
650/50	2 605 703 014	Clamping Flange Ø22,3xØ42 MM
651	1 600 A00 XU7	Protective Cover Ø125 MM SILVER
894	1 615 430 020	Grease Tube 225 ML
895	1 605 430 003	Grease Tube 225 ML

Illustration - Type - E

3 601 C88 584  
 Stand } 17-09  
 Issue } 15-06-09

Fig./Abb. 1

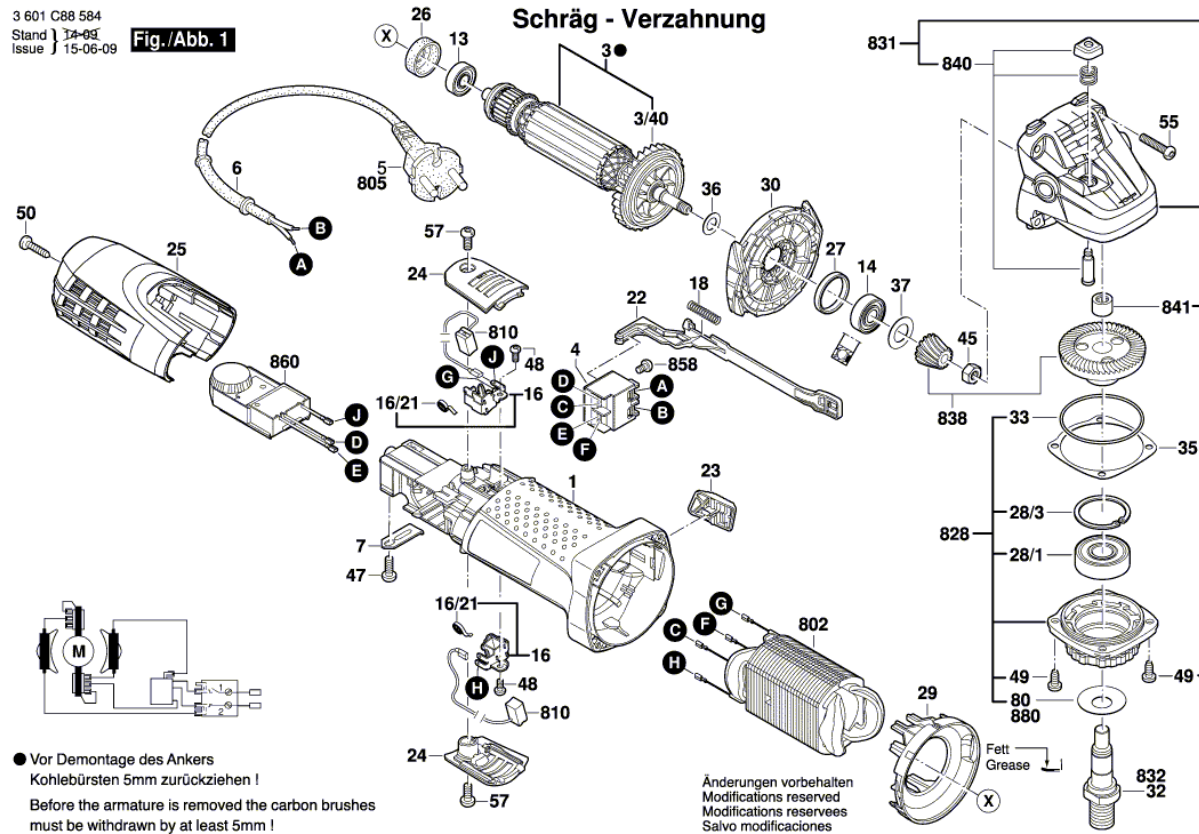
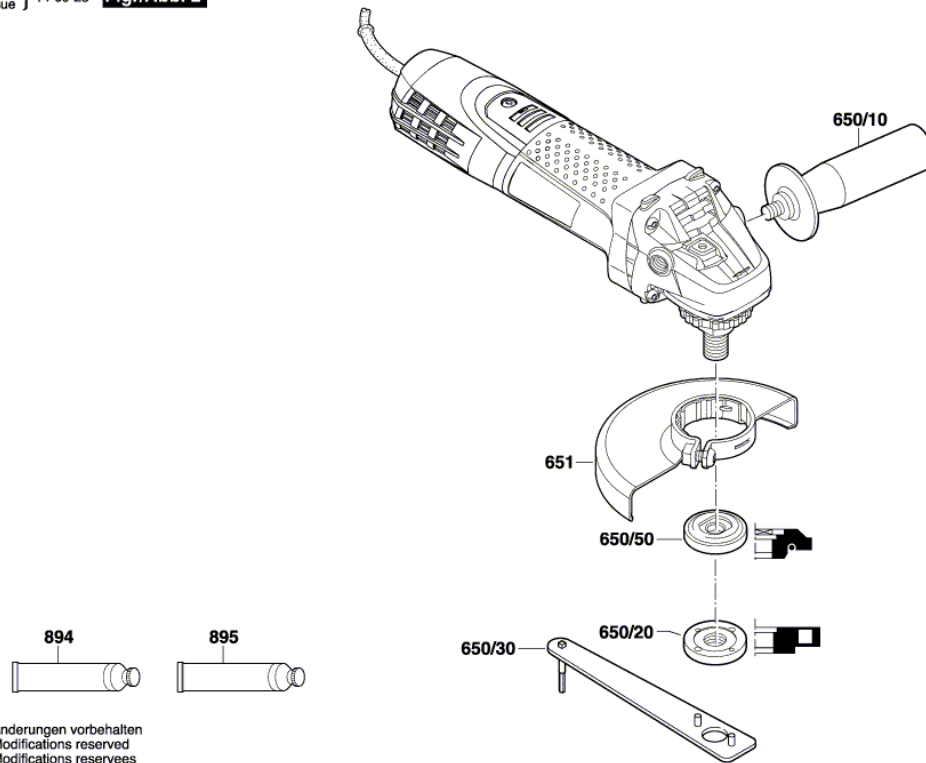


Illustration - Type - E

3 601 C88 584  
Stand } 14-09-23 **Fig./Abb. 2**  
Issue }



Änderungen vorbehalten  
Modifications reserved  
Modifications reserves  
Salvo modificaciones