



BOSCH

Angle Grinder

GWS 8-100 CE | 0 601 378 6R8

Table of Content

Spare parts list.....	2
Illustration - Type.....	4

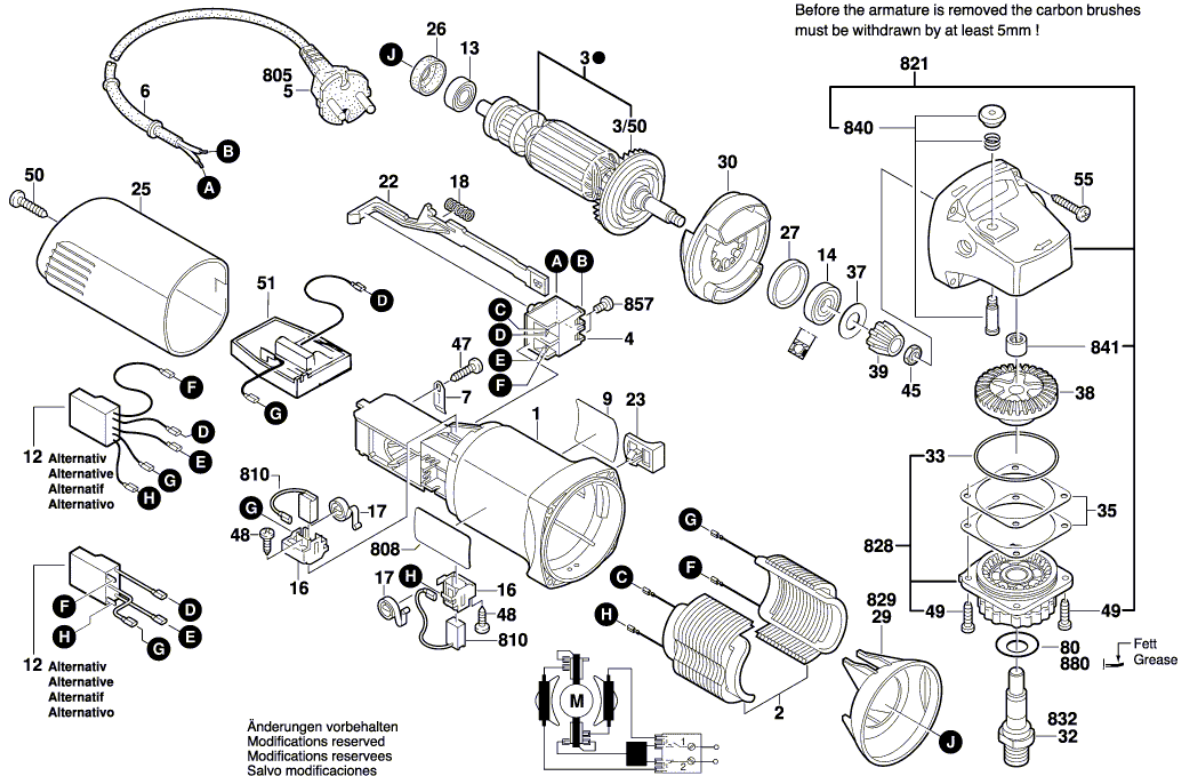
Illustration - Type - E

0 601 377 6E3
 Stand 14-07-22
 Issue 14-07-22

Fig./Abb. 1

Gerad - Verzahnung

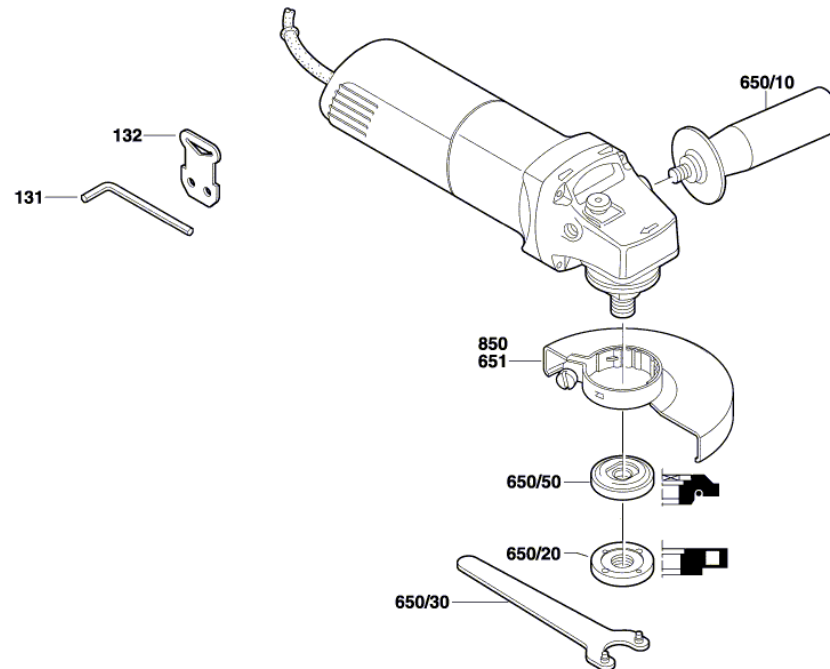
● Vor Demontage des Ankers
 Kohlebürsten 5mm zurückziehen !
 Before the armature is removed the carbon brushes
 must be withdrawn by at least 5mm !



Änderungen vorbehalten
 Modifications reserved
 Modifications reserves
 Salvo modificaciones

Illustration - Type - E

0 601 377 6E3
Stand | 09-01-21
Issue | 09-01-27 **Fig./Abb. 2**



Änderungen vorbehalten
Modifications reserved
Modificacions reserves
Salvo modificaciones