



BOSCH

Angle Grinder

GWS 8-125 CE | 0 601 378 7E3

Table of Content

Spare parts list.....	2
Illustration - Type.....	4

Spare parts list

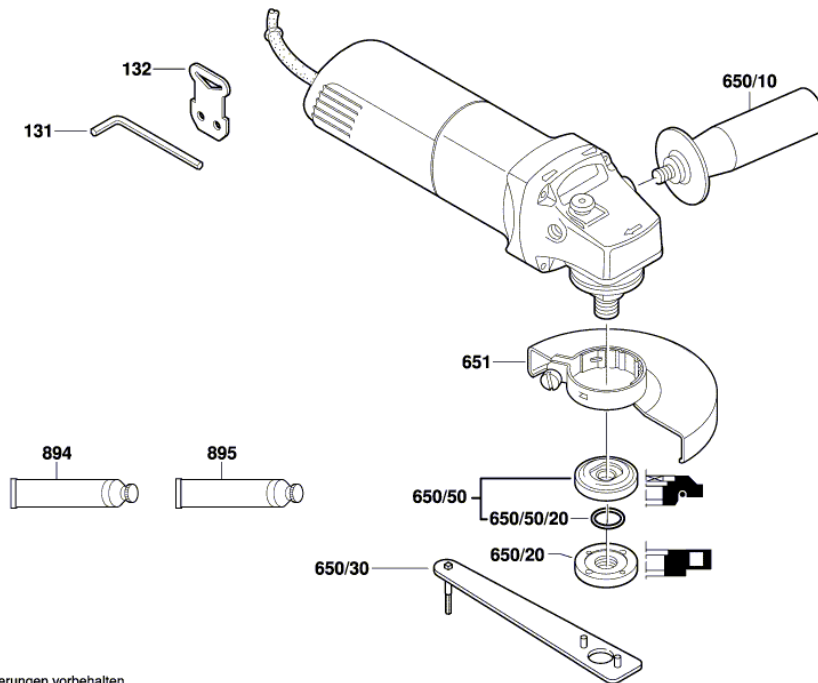
Item	Part Number	Description		
1	1 619 P09 772	Motor Housing		
2	1 604 220 340	Field	220-240V	
3	1 604 010 667	Armature With Fan	220-240V	
3/50	1 606 610 141	Fan		
4	1 607 200 146	Switch		
5	1 604 460 263	Power supply cord H05 W-F	CN 2,65m 2 x 0,75mm	
6	2 600 703 012	Grommet	Ø6,5-Ø6,9x95 MM	
7	1 601 302 017	Fastening Clamp		
9	2 609 130 617	Manufacturer's nameplate	GWS 8-125 CE	
12	2 609 120 008	Suppression Filter		
13	1 619 P08 829	groove ball bearing		
14	1 619 P11 240	groove ball bearing		
16	1 619 P01 811	Brush Holder		
17	1 604 652 013	Spiral Spring		
18	1 604 611 031	Compression Spring		
22	1 602 319 009	Adjusting Slide		
23	1 619 P02 762	Switch Button	BLACK	
25	1 605 500 196	Housing Cover	BLUE	
26	1 600 502 023	Intermediate Ring		
27	1 600 206 025	Rubber Ring		
29	1 619 P09 921	Air-Deflector Ring		
30	1 600 591 024	Air-Deflector Ring		
33	1 600 210 041	O-Ring	42,0x1,1 MM	
35	1 600 136 016	Shim	0,1 MM	THICK
35	1 600 136 017	Shim	0,2 MM	THICK
37	1 600 100 033	Cover Disc		
38	2 609 110 150	Conversion Gear		
39	2 609 110 149	Pinion		
45	2 915 011 007	Hex Nut	DIN 934-M6-8-A	
47	2 609 110 052	Special Screw		
48	1 619 P00 220	Torx Oval-Head Screw	3x10	
49	1 603 435 068	Thread-forming tap. Screw M4x10, SR10.2	DIN 7500,	
50	2 910 611 020	Tapping Screw	DIN 7981-ST3,9x19-C-H	
51	1 607 233 137	Regulator	220V	

Spare parts list

Item	Part Number	Description		
55	2 910 611 022	Tapping Screw	DIN 7981-ST3,9x25-C-H	
808	1 619 P06 697	Nameplate		
810	1 619 P11 715	Carbon-Brush Set		
821	1 605 806 466	Gear Housing		
828	1 619 P02 708	Bearing Flange	BLACK	
832	1 619 P06 419	Grinding Spindle	M 14, SW 17	
840	1 607 000 298	Push-Button	BLACK	
841	1 600 910 018	Needle bearing	Ø8xØ12x8 MM	
857	2 910 641 081	Oval-Head Screw	DIN7985-M3,5x5-4.8-H	
880	1 619 P09 390	Cover Disc		
131	1 619 P01 598	Hex Screw Driver	4x95	
132	3 602 311 050	Key Holder		
650/10	1 602 025 09T	Auxiliary Handle		
650/20	1 603 345 043	Round Nut	M14	
650/30	1 619 P08 927	Pin-Type Face-Wrench		
650/50	2 605 703 014	Clamping Flange	Ø22,3xØ42 MM	
650/50/20	1 600 210 039	O-Ring	20,35x1,78 MM	
651	1 600 A00 XU7	Protective Cover	Ø125 MM	SILVER

Illustration - Type - E

0 601 377 7A3
Stand } 20-01-08
Issue } **Fig. /Abb. 2**



Änderungen vorbehalten
Modifications reserved
Modifications réservées
Salvo modificaciones