

Angle Grinder - 3 601 C88 118 - GWS8-45

www.powertools-aftersaleservice.com



BOSCH

Item	Part Number	Description	Illustration	Price	Quantity	Price Group
	1 1 619 P13 625	Motor Housing	1	-,-	1	19
	3 1 619 P05 230	Armature 110-120V	1	-,-	1	31
3/40	1 619 P02 801	Fan	1	-,-	1	11
	4 1 607 200 146	Switch	1	-,-	1	22
	5 2 604 460 122	Power supply cord USA/CDN 2,15m 2 x 0,82mm SJ 18/2	1	-,-	1	28
	6 2 600 703 013	Grommet Ø7,6-Ø8,2x95 MM	1	-,-	1	13
	7 1 601 302 017	Fastening Clamp	1	-,-	1	10
	9 1 619 P02 982	Manufacturer's nameplate	1	-,-	1	13
	9 1 619 P13 927	Manufacturer's nameplate	1	-,-	1	13
	13 1 619 P00 456	Ball Bearing 7x19x6 MM	1	-,-	1	14
	14 1 619 P00 455	Ball Bearing	1	-,-	1	15
	16 1 619 P02 845	Brush Holder	1	-,-	2	14
16/21	1 619 P02 809	Spiral Spring	1	-,-	2	10
	18 1 604 611 031	Compression Spring	1	-,-	1	13
	20 1 619 P02 994	Warning Plate	1	-,-	1	13
	22 1 619 P02 811	Adjusting Slide	1	-,-	1	11
	23 1 619 P09 290	Switch Button	1	-,-	1	10
	25 1 619 P10 071	Housing Cover	1	-,-	1	16
	26 1 600 502 023	Intermediate Ring	1	-,-	1	12
	27 1 600 206 025	Rubber Ring	1	-,-	1	12
	29 1 619 P02 818	Air-Deflector Ring	1	-,-	1	11
	30 1 619 P02 819	Air Distributor	1	-,-	1	10
	33 1 619 P02 820	O-Ring 44,0x1,0 MM	1	-,-	1	11
	35 1 619 P02 821	Shim 0,1 MM	1	-,-	1	10
	35 1 619 P02 822	Shim 0,2 MM	1	-,-	1	11
	36 1 619 P00 987	Washer	1	-,-	1	10
	37 1 600 100 033	Cover Disc	1	-,-	1	13
	38 1 619 P02 823	Crown Gear	1	-,-	1	21
	39 1 619 P02 825	Bevel Gear	1	-,-	1	17
	45 2 915 011 007	Hex Nut DIN 934-M6-8-A	1	-,-	1	10
	47 2 609 110 052	Special Screw	1	-,-	1	10
	49 1 603 435 068	Thread-forming tap. Screw DIN 7500, M4x10, SR10.2	1	-,-	4	11

Item	Part Number	Description	Illustration	Price	Quantity	Price Group
50	1 619 P00 105	Torx Oval-Head Screw 4x20	1	-,-	1	11
55	1 619 P01 066	Torx Oval-Head Screw 4x25	1	-,-	4	10
57	1 619 P02 848	Torx Oval-Head Screw 4x12	1	-,-	2	11
80	3 600 150 021	Sealing disk	1	-,-	1	15
650/10	1 602 025 027	Auxiliary Handle M10	2	-,-	1	19
650/20	1 605 703 140	Clamping-Flange	2	-,-	1	21
650/20/2	1 600 210 253	O-Ring	2	-,-	1	12
650/30	1 619 P08 927	Pin-Type Face-Wrench	2	-,-	1	16
650/50	3 603 340 503	Round Nut 5/8"	2	-,-	1	28
802	1 619 P07 273	Field 115-127V	1	-,-	1	28
808	1 619 P13 945	Nameplate	1	-,-	1	13
810	1 619 P02 892	Carbon-Brush Set	1	-,-	1	21
823	1 619 P10 838	Switch Button	N/A	-,-	1	11
824	1 619 P14 294	Brush-Cover	1	-,-	1	13
828	1 619 P07 452	Bearing Flange	1	-,-	1	22
831	1 619 P02 872	Gear Housing	1	-,-	1	27
832	1 603 523 122	Grinding Spindle 5/8"	1	-,-	1	33
834	1 619 P14 293	Brush-Cover	1	-,-	1	13
840	1 619 P02 873	Push-Button	1	-,-	1	12
841	1 600 910 018	Needle bearing Ø8xØ12x8 MM	1	-,-	1	17
848	1 619 P14 292	Torx Oval-Head Screw	1	-,-	2	12
851	1 619 P07 516	Protective Guard Ø 115 MM	2	-,-	1	23
858	2 910 641 081	Oval-Head Screw DIN7985-M3,5x5-4.8-H	1	-,-	2	10
894	1 615 430 020	Grease Tube 225 ML	2	-,-	1	29
895	1 605 430 003	Grease Tube 225 ML	2	-,-	1	34

Illustration - Type E

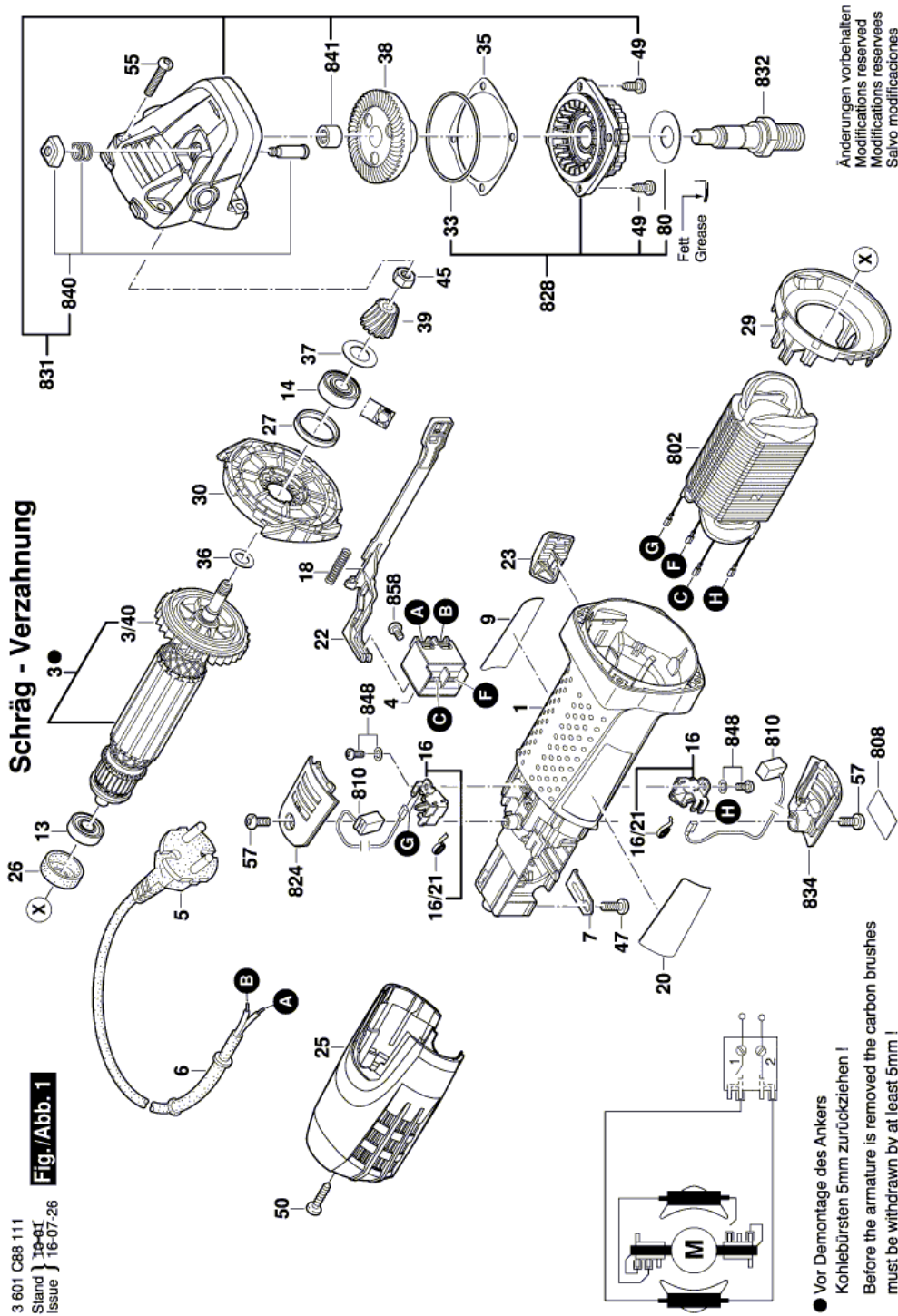
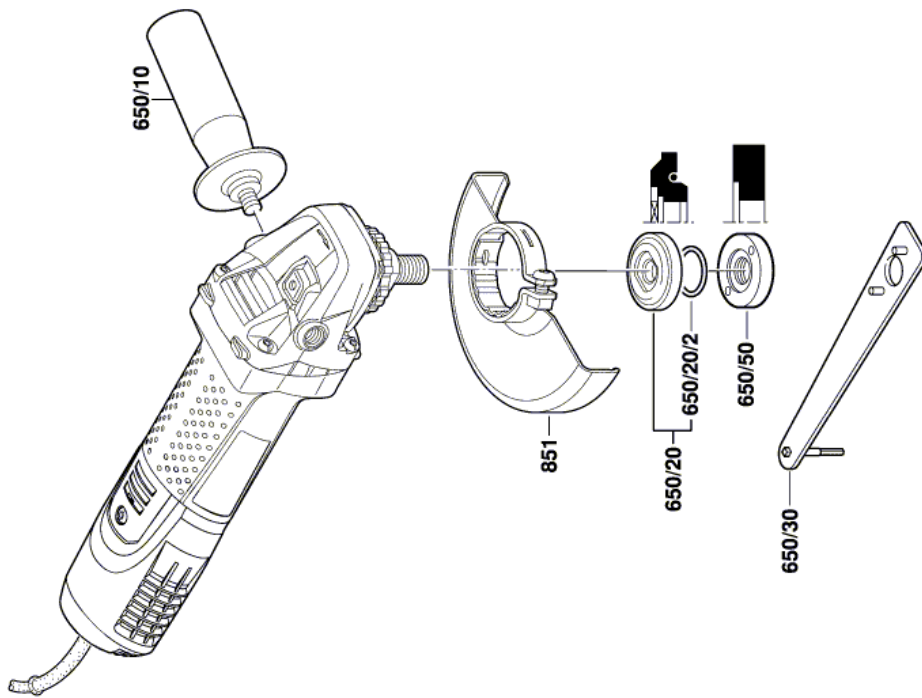


Illustration - Type E



3 601 C88 111
Stand } 74-02
Issue } 16-07-21
Fig./Abb. 2



Anderungen vorbehalten
Modifications reserved
Modificacions reserves
Salvo modificaciones

Information subject to change without further notice.