



BOSCH

Angle Grinder

GWS8-45 | 3 601 C88 11B

Table of Content

Spare parts list.....	2
Illustration - Type.....	4

Spare parts list

Item	Part Number	Description	Illustration
1	1 619 P09 415	Motor Housing	1
3	1 604 010 BK5	Armature	1
3/40	1 619 P02 801	Fan	1
4	1 607 200 146	Switch	1
5	2 604 460 122	Power supply cord USA/CDN 2,15m 2 x 0,82mm SJ 18/2	1
6	2 600 703 013	Grommet Ø7,6-Ø8,2x95 MM	1
7	1 601 302 017	Fastening Clamp	1
9	1 619 P02 982	Manufacturer's nameplate	1
9	1 619 P13 927	Manufacturer's nameplate	1
13	1 619 P00 456	Ball Bearing 7x19x6 MM	1
14	1 619 P00 455	Ball Bearing	1
16	1 619 P13 772	Brush Holder	1
16/21	1 619 P02 809	Spiral Spring	1
18	1 604 611 031	Compression Spring	1
20	1 619 P02 994	Warning Plate	1
22	1 619 P02 811	Adjusting Slide	1
23	1 619 P14 110	Switch Button	1
25	1 619 P10 071	Housing Cover	1
26	1 619 P14 330	Intermediate Ring	1
27	1 600 206 025	Rubber Ring	1
29	1 619 P02 818	Air-Deflector Ring	1
30	1 619 P02 819	Air Distributor	1
32	3 603 523 503	Grinding Spindle 5/8"	1
33	1 619 P14 257	O-Ring	1
35	1 619 P02 821	Shim 0,1 MM	1
35	1 619 P02 822	Shim 0,2 MM	1
36	1 619 P00 987	Washer	1
37	1 600 100 033	Cover Disc	1
38	1 619 P02 823	Crown Gear	1
39	1 619 P02 825	Bevel Gear	1
45	2 915 011 007	Hex Nut DIN 934-M6-8-A	1
47	2 609 110 052	Special Screw	1
49	1 603 435 068	Thread-forming tap. Screw DIN 7500, M4x10, SR10.2	1
50	1 619 P00 105	Torx Oval-Head Screw 4x20	1

Spare parts list

Item	Part Number	Description	Illustration
55	1 619 P01 066	Torx Oval-Head Screw 4x25	1
57	1 619 P02 848	Torx Oval-Head Screw 4x12	1
80	1 619 P09 390	Cover Disc	1
802	1 619 P07 273	Field 115-127V	1
808	1 619 P20 615	Nameplate	1
810	1 619 P02 892	Carbon-Brush Set	1
824	1 619 P14 294	Brush-Cover	1
828	1 619 P07 452	Bearing Flange	1
831	1 619 P02 872	Gear Housing	1
834	1 619 P14 293	Brush-Cover	1
840	1 619 P02 873	Push-Button	1
841	1 600 910 018	Needle bearing Ø8xØ12x8 MM	1
848	1 619 P14 292	Torx Oval-Head Screw	1
858	2 910 641 081	Oval-Head Screw DIN7985-M3,5x5-4.8-H	1
650/10	1 602 025 027	Auxiliary Handle M10	2
650/20	1 605 703 140	Clamping-Flange	2
650/20/2	1 600 210 253	O-Ring	2
650/30	1 619 P08 927	Pin-Type Face-Wrench	2
650/50	3 603 340 503	Round Nut 5/8"	2
851	1 600 A00 XU6	Protective Cover Ø115 MM SILVER	2

Illustration - Type - E

3 601 C88 111
 Stand } 18-11
 Issue } 19-10-16

Fig./Abb. 1

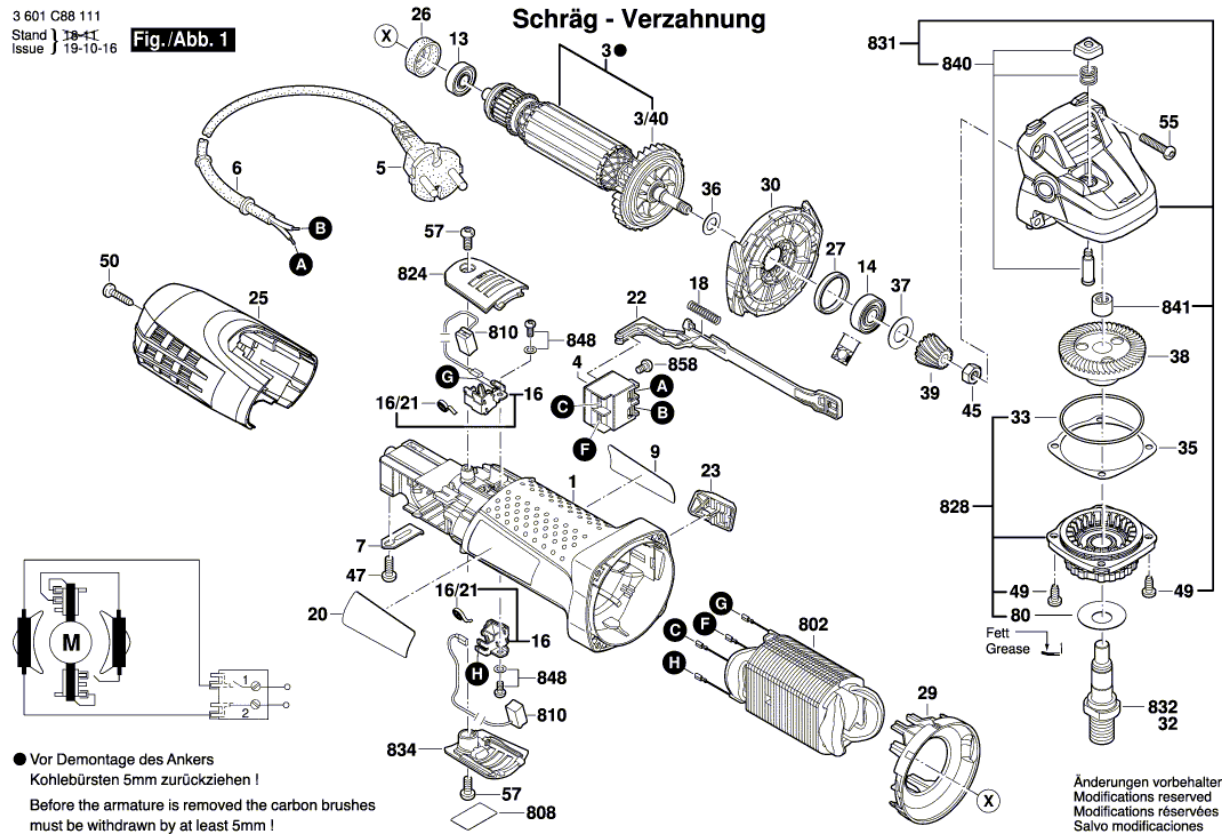


Illustration - Type - E

3 601 C88 111
Stand | 14-02
Issue | 16-07-21 **Fig./Abb. 2**

