



BOSCH

Angle Grinder

GWS 800 | 3 601 CA3 180

Table of Content

Spare parts list.....	2
Illustration - Type.....	4

Angle Grinder | GWS 800 | 3 601 CA3 180

Spare parts list

Item	Part Number	Description
1	1 619 PC0 253	Motor Housing
2	1 619 PC0 254	Field
4	1 619 PC0 256	On-Off Switch
5	1 619 PC1 296	Power supply cord
6	1 619 PC0 258	Cord guard
8	1 619 PC0 262	Nameplate
9	1 619 PC1 298	Manufacturer's nameplate GWS 800
12	1 619 PC0 265	Capacitor
13	1 619 PC0 266	groove ball bearing
14	1 619 PC0 267	groove ball bearing
19	1 619 PC0 270	Screw
26	1 619 PC0 274	Screw
27	1 619 PC0 275	Bearing Flange
28	1 619 PC0 276	O-Ring
29	1 619 PC0 277	Retaining ring
30	1 619 PC0 278	Washer
40	1 619 PC0 288	Hex Nut
42	1 619 PC0 290	Plate
43	1 619 PC0 291	Screw
44	1 619 PC0 292	Intermediate Ring
45	1 619 PC0 293	Bearing Bushing
46	1 619 PC0 294	Screw
47	1 619 PC0 295	Air-Deflector Ring
49	1 619 PC0 297	Adjusting Slide
50	1 619 PC0 298	Switch Button
53	1 619 PC0 300	Housing Cover
56	1 619 PC0 301	Screw
803	1 619 PC1 304	Armature assembly
810	1 619 PC1 300	Carbon-Brush Set
821	1 619 PC1 301	Carbon Brush Holder
824	1 619 PC1 592	Output Shaft
827	1 619 PC1 302	Bearing Flange
832	1 619 PC1 305	Gear Unit
835	1 619 PC1 303	Gear Housing
836	1 619 PC1 306	Push-Button

Spare parts list

Item	Part Number	Description
651	1 619 PC0 302	Protective Cover
652	1 619 PC0 303	Clamping Flange
653	1 619 PC0 304	Round Nut
654	1 619 PC0 305	Pin-Type Face-Wrench
655	1 619 PC0 306	Auxiliary Handle

Illustration - Type - E

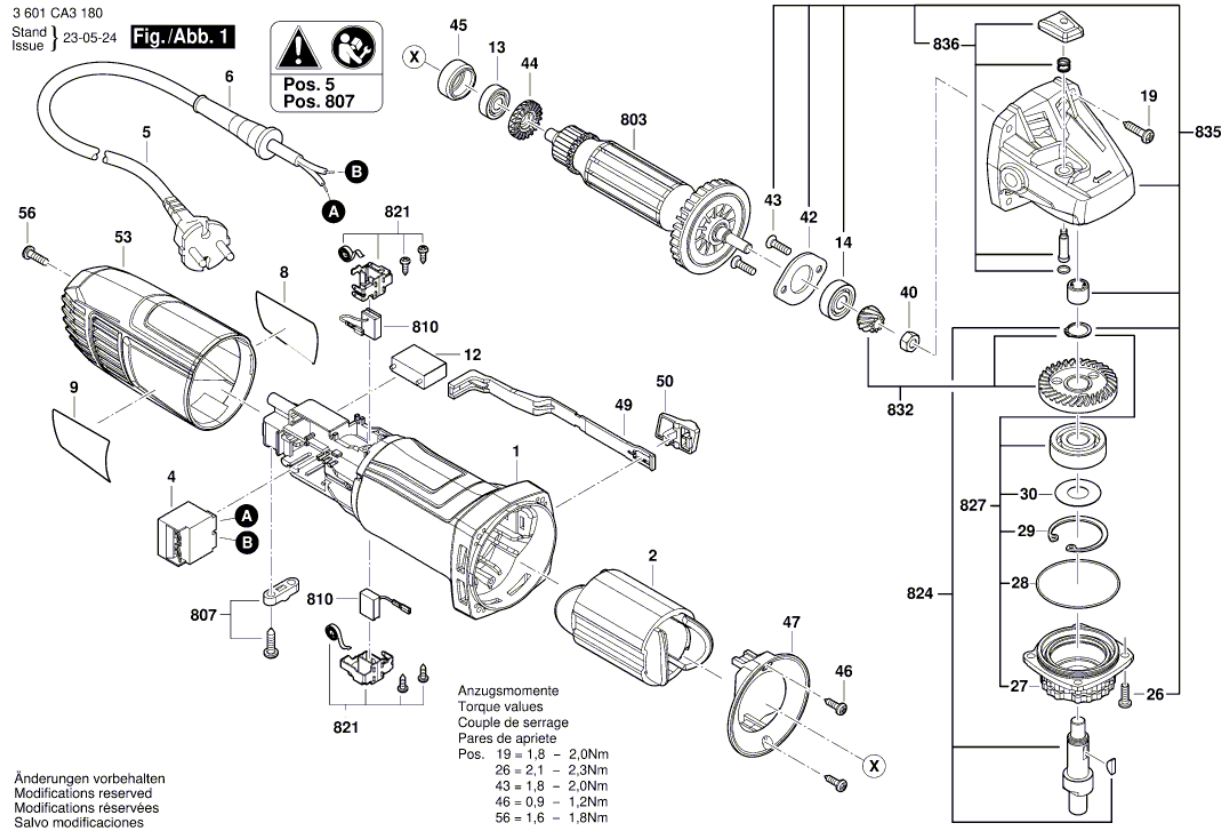
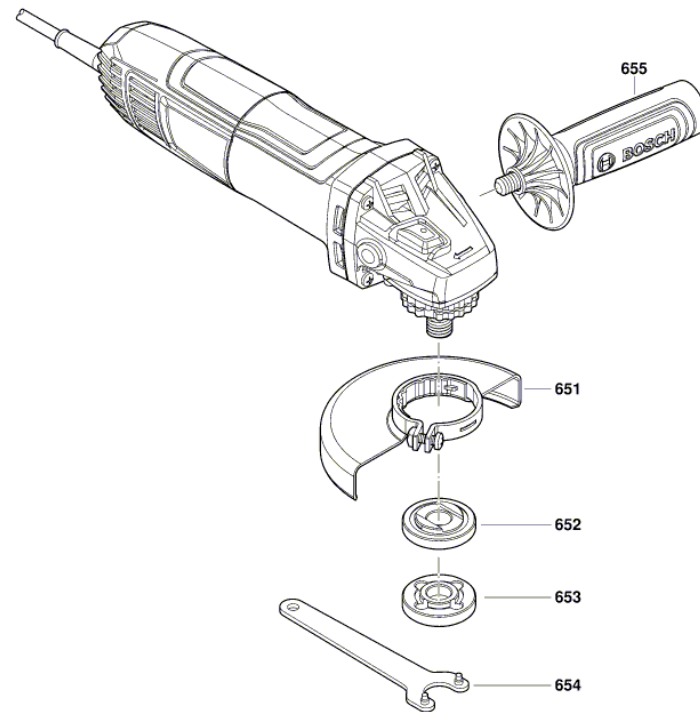


Illustration - Type - E

3 601 CA3 180
Stand } 23-05-02 **Fig./Abb. 2**
Issue }



Änderungen vorbehalten
Modifications reserved
Modifications réservées
Salvo modificaciones