



BOSCH

Angle Grinder

GWS 9-100 P | 3 601 C96 580

Table of Content

Spare parts list.....	2
Illustration - Type.....	4

Spare parts list

Item	Part Number	Description
1	1 619 P10 961	Motor Housing
2	1 604 220 59G	Field
3	1 604 010 BN1	Armature
4	1 607 200 31Y	Switch
5	1 604 460 263	Power supply cord H05 W-F CN 2,65m 2 x 0,75mm
6	2 600 703 012	Grommet Ø6,5-Ø6,9x95 MM
7	1 601 302 017	Fastening Clamp
8	1 619 P15 552	Nameplate
9	1 619 P14 852	Manufacturer's nameplate GWS 9-100 P
12	1 619 P14 822	Suppression Filter
13	1 619 P08 829	groove ball bearing
14	1 619 P13 103	groove ball bearing
16	1 619 P01 811	Brush Holder
17	1 604 652 013	Spiral Spring
25	1 619 P14 667	Housing Cover
26	1 600 502 023	Intermediate Ring
27	1 600 206 025	Rubber Ring
28/1	1 619 P07 440	Ball Bearing
28/3	2 916 660 013	Retaining clip DIN 472-32x1,2 MM
29	1 619 P10 970	Air-Deflector Ring
30	1 619 P14 139	Air Distributor
32	1 603 523 111	Grinding Spindle M10, SW12
33	1 619 P02 820	O-Ring 44,0x1,0 MM
35	1 619 P02 821	Shim 0,1 MM
35	1 619 P02 822	Shim 0,2 MM
36	1 619 P00 987	Washer
37	1 619 P14 544	Rotary shaft lip seal
41	1 600 910 018	Needle bearing Ø8xØ12x8 MM
45	2 915 011 007	Hex Nut DIN 934-M6-8-A
47	2 609 110 052	Special Screw
48	1 619 P00 220	Torx Oval-Head Screw 3x10
49	1 603 435 068	Thread-forming tap. Screw DIN 7500, M4x10, SR10.2
50	1 619 P00 105	Torx Oval-Head Screw 4x20
55	1 619 P01 066	Torx Oval-Head Screw 4x25

Spare parts list

Item	Part Number	Description
80	1 619 P09 390	Cover Disc
318	1 619 P14 813	Switch-Pawl
321	1 619 P10 979	Pin
810	1 619 P11 715	Carbon-Brush Set
828	1 619 P07 451	Bearing Flange
831	1 619 P12 186	Gear Housing
838	1 619 P14 559	Set Of Gears
840	1 619 P12 188	Push Button
858	2 910 641 081	Oval-Head Screw DIN7985-M3,5x5-4.8-H
650/1	1 602 025 09T	Auxiliary Handle
650/2	1 619 P09 976	Round Nut With 2 Holes
650/3	1 619 P08 928	Pin-Type Face-Wrench
650/5	2 605 703 014	Clamping Flange Ø22,3xØ42 MM
651	1 600 A00 XU5	Protective Cover Ø100 MM SILVER
894	1 615 430 020	Grease Tube 225 ML
895	1 605 430 003	Grease Tube 225 ML

Illustration - Type - E

3 601 C96 580
Stand } 19-07
Issue } 21-02-26

Fig. /Abb. 1

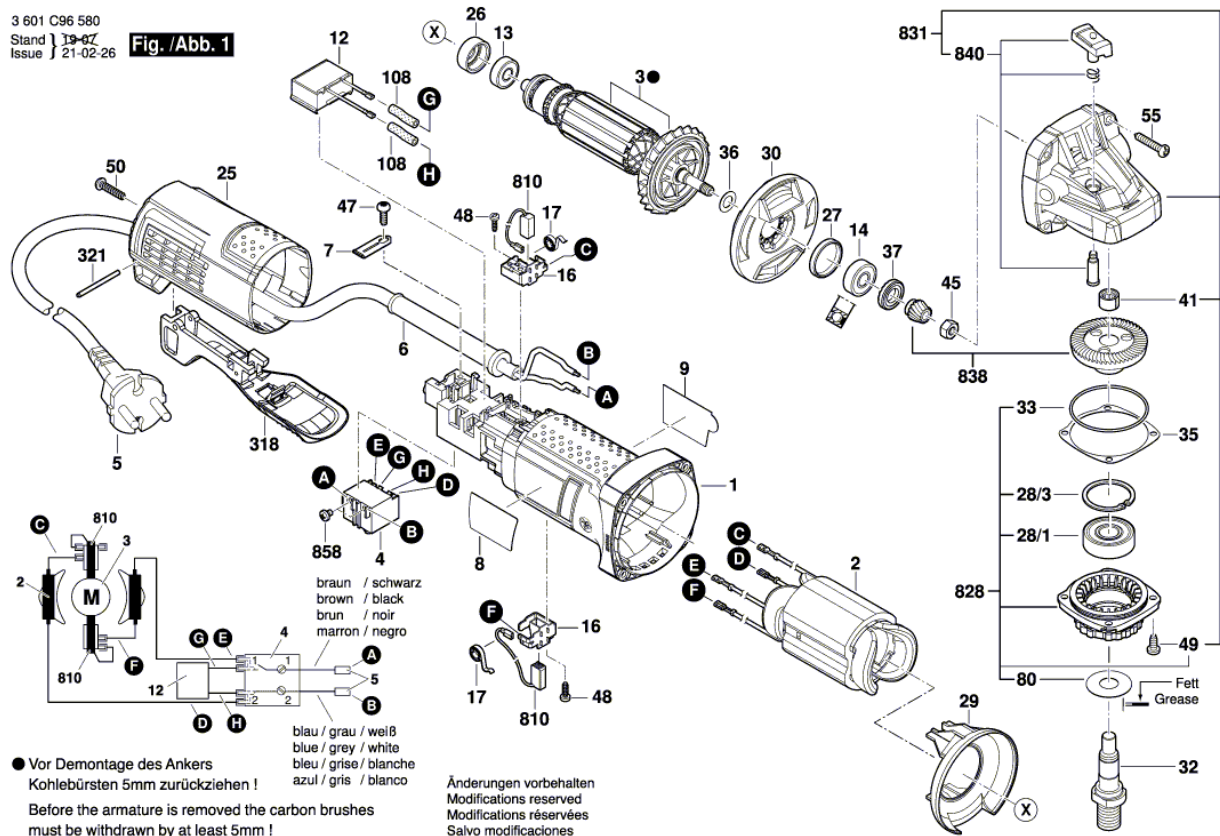
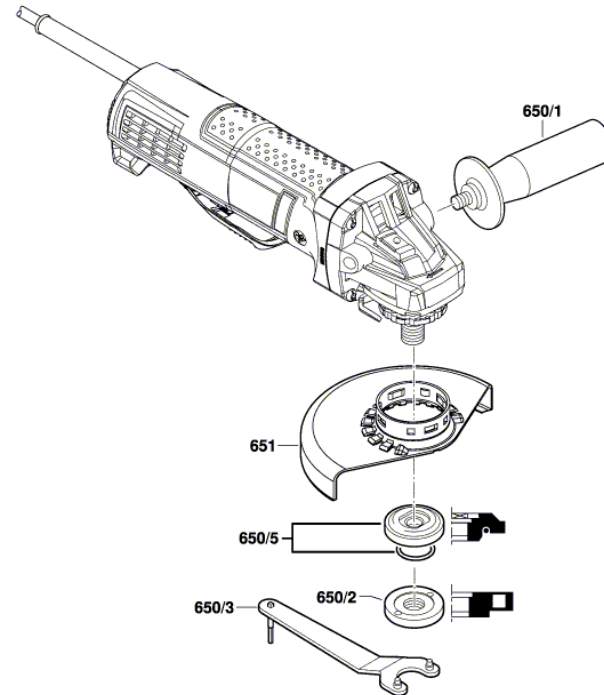


Illustration - Type - E

3 601 C96 580
Stand } 19-07-11 **Fig. /Abb. 2**
Issue }



Änderungen vorbehalten
Modifications reserved
Modifications réservées
Salvo modificaciones

