

## Angle Grinder - 3 601 GB1 010 - GWX10-45E

www.powertools-aftersaleservice.com

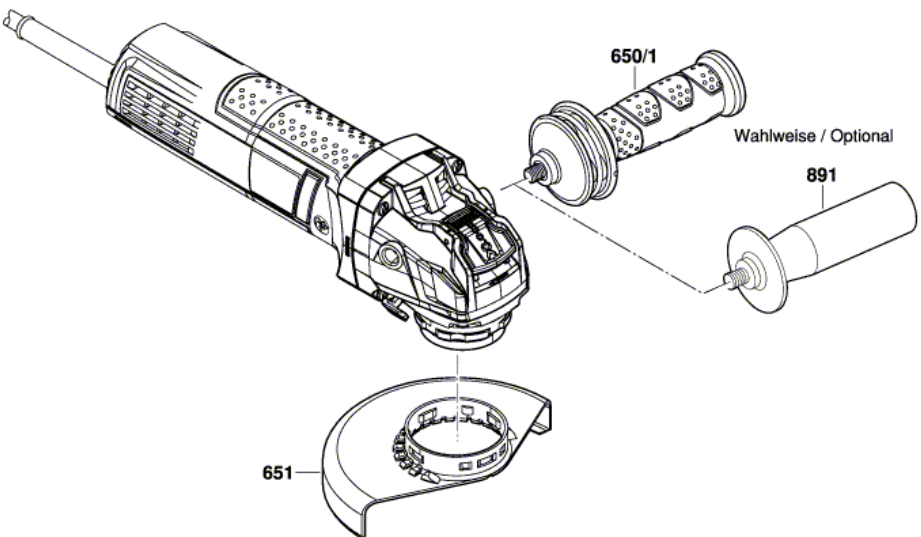


**BOSCH**

Item	Part Number	Description	Illustration	Price	Quantity	Price Group
1	1 619 P10 959	Motor Housing	1	-,-	1	17
2	1 619 P14 676	Field 110V	1	-,-	1	29
3	1 619 P15 108	Armature 110V	1	-,-	1	32
4	1 607 200 31Y	Switch	1	-,-	1	22
5	2 604 460 122	Power supply cord USA/CDN 2,15m 2 x 0,82mm SJ 18/2	1	-,-	1	28
6	2 600 703 013	Grommet Ø7,6-Ø8,2x95 MM	1	-,-	1	13
7	1 601 302 017	Fastening Clamp	1	-,-	1	10
8	1 619 P15 084	Nameplate	1	-,-	1	13
9	1 619 P14 964	Manufacturer's nameplate GWX10-45 E	1	-,-	1	13
13	1 619 P08 829	groove ball bearing	1	-,-	1	19
14	1 619 P13 103	groove ball bearing	1	-,-	1	14
16	1 619 P01 811	Brush Holder	1	-,-	2	14
17	1 604 652 013	Spiral Spring	1	-,-	2	11
18	1 619 P11 487	Compression Spring	1	-,-	1	10
20	1 619 P11 107	Warning Plate	1	-,-	1	13
22	1 619 P10 968	Adjusting Slide	1	-,-	1	10
23	1 619 P13 541	Switch Button	1	-,-	1	10
26	1 600 502 023	Intermediate Ring	1	-,-	1	12
27	1 600 206 025	Rubber Ring	1	-,-	1	12
29	1 619 P10 970	Air-Deflector Ring	1	-,-	1	10
30	1 619 P14 769	Air Distributor	1	-,-	1	11
33	1 619 P02 820	O-Ring 44,0x1,0 MM	1	-,-	1	11
35	1 600 136 013	Shim 0,1 MM THICK	1	-,-	1	13
35	1 600 136 014	Shim 0,2 MM THICK	1	-,-	1	13
35	1 600 136 015	Shim 0,3 MM THICK	1	-,-	1	13
36	1 619 P00 987	Washer	1	-,-	1	10
37	1 600 290 016	Rotary shaft lip seal	1	-,-	1	12
40	1 600 119 011	Retaining clip	1	-,-	1	12
41	1 600 A01 2V6	Plain bearing	1	-,-	1	10
45	2 915 011 007	Hex Nut DIN 934-M6-8-A	1	-,-	1	10
46	1 619 P13 814	Shim	1	-,-	2	10
47	2 609 110 052	Special Screw	1	-,-	1	10
48	1 619 P00 220	Torx Oval-Head Screw 3x10	1	-,-	2	10

Item	Part Number	Description	Illustration	Price	Quantity	Price Group
49	1 603 435 08X	Thread-forming tap. Screw M4x16-St w/ Precote 85-3		1	-,-	4 10
50	1 619 P00 105	Torx Oval-Head Screw 4x20		1	-,-	1 11
54	2 603 490 025	Torx Oval-Head Screw 4x30		1	-,-	1 10
55	1 619 P01 066	Torx Oval-Head Screw 4x25		1	-,-	3 10
56	1 600 A01 2X9	Braking Element		1	-,-	1 12
101	1 600 A01 6PJ	Lever		1	-,-	1 10
102	1 600 A01 2V3	Torsion Spring		1	-,-	1 10
103	1 600 A01 2V4	Straight Pin		1	-,-	1 10
108	1 619 P02 866	Shrinkable Tube		1	-,-	2 10
131	3 600 210 109	O-Ring 47,0x1,5 MM		1	-,-	1 12
650/1	1 602 025 027	Auxiliary Handle M10		2	-,-	1 19
651	1 600 A00 XK8	Protective Cover		2	-,-	1 26
810	1 619 P11 715	Carbon-Brush Set		1	-,-	1 18
825	1 619 P15 592	Housing Cover		1	-,-	1 20
828	1 619 P15 214	Parts Set		1	-,-	1 40
831	1 619 P15 213	Gear Housing		1	-,-	1 34
838	1 619 P15 458	Set Of Gears		1	-,-	1 28
843	1 607 000 742	Catch Lever		1	-,-	1 20
858	2 910 641 081	Oval-Head Screw DIN7985-M3,5x5-4.8-H		1	-,-	1 10
891	1 602 025 052	Auxiliary Handle M10 ANTI-VIBRATION		2	-,-	1 31
894	1 615 430 020	Grease Tube 225 ML		2	-,-	1 29
895	1 605 430 003	Grease Tube 225 ML		2	-,-	1 34





3 601 GB1 010  
Stand }  
Issue } 19-06-12

**Fig. /Abb. 2**

Änderungen vorbehalten  
Modifications reserved  
Modifications réservées  
Salvo modificaciones



Information subject to change without further notice.