



BOSCH

Cordless Angle Grinder

GWX 180-LI | 3 601 JH9 180

Table of Content

Spare parts list.....	2
Illustration - Type.....	4

Cordless Angle Grinder | GWX 180-LI | 3 601 JH9 180

Spare parts list

Item	Part Number	Description	
1	1 619 P15 044	Motor Housing	
2	1 600 A01 A6N	Stator	
3	1 600 A02 4BM	Rotor	
5	1 619 P16 641	Fan	
6	1 619 P16 509	Air-Deflector Ring	
8	1 619 P16 844	Nameplate	
9	1 619 P16 462	Manufacturer's nameplate	GWX 180-LI
18	1 619 P15 338	Switch Handle	
20	1 619 P15 050	Adjusting Slide	
33	1 619 P14 427	O-Ring	
35	1 600 136 013	Shim	0,1 MM THICK
35	1 600 136 014	Shim	0,2 MM THICK
41	1 600 A01 2V6	Plain bearing	
45	1 619 P17 544	Hex Nut	
46	1 609 280 477	Compression Spring	
49	1 603 435 08X	Thread-forming tap. Screw	M4x16-St w/ Precote 85-3
50	2 609 110 201	Torx Flat-Head Screw	3x16
51	1 600 A01 NC3	Electronics Module	
54	2 603 490 025	Torx Oval-Head Screw	4x30
55	1 619 P01 066	Torx Oval-Head Screw	4x25
56	1 600 A01 2X9	Braking Element	
60	1 619 P15 795	Reverse-Transfer Lever	
61	1 619 P15 806	Torsion Spring	
62	3 600 210 109	O-Ring	47,0x1,5 MM
101	1 600 A01 2V1	Lever	
102	1 600 A01 2V3	Torsion Spring	
103	1 600 A01 2V4	Straight Pin	
310/14	1 619 P09 955	groove ball bearing	
310/27	1 600 206 025	Rubber Ring	
310/37	1 600 A00 P17	Holder	
310/40	1 600 119 011	Retaining clip	
310/42	1 600 A01 Z23	Retaining Washer	
310/43	1 600 A01 MB5	profile gasket	
310/7	1 619 P16 508	Air Distributor	

Spare parts list

Item	Part Number	Description
828	1 619 P16 951	Bearing Flange
831	1 619 P16 949	Gear Housing
838	1 619 P16 953	Gear Unit
839	1 607 000 CA5	Bevel Gear Shaft
843	1 607 000 742	Catch Lever
884	1 607 000 CA9	Filter Unit
650/1	1 619 P10 681	Auxiliary Handle
650/1	1 619 P16 111	Auxiliary Handle
651	1 600 A02 5XR	Protective Cover
652	2 607 225 937	Charger CN GAL 1880 CV 220V/14,4-18V
652	2 607 226 267	Fast Charger CN GAL 18V-40
653	1 607 A35 0M0	Battery Pack GBA 18V 4.0Ah
653	2 607 337 069	Battery Pack BBS MR, 18V, 5,0 Ah 48 S
653	2 607 337 263	Battery Pack GBA 18V 6.0 AH
894	1 615 430 020	Grease Tube 225 ML
895	1 605 430 003	Grease Tube 225 ML

Illustration - Type - E

3 601 JH9 101
 Stand | 21-26
 Issue | 22-03-30

Fig./Abb. 1

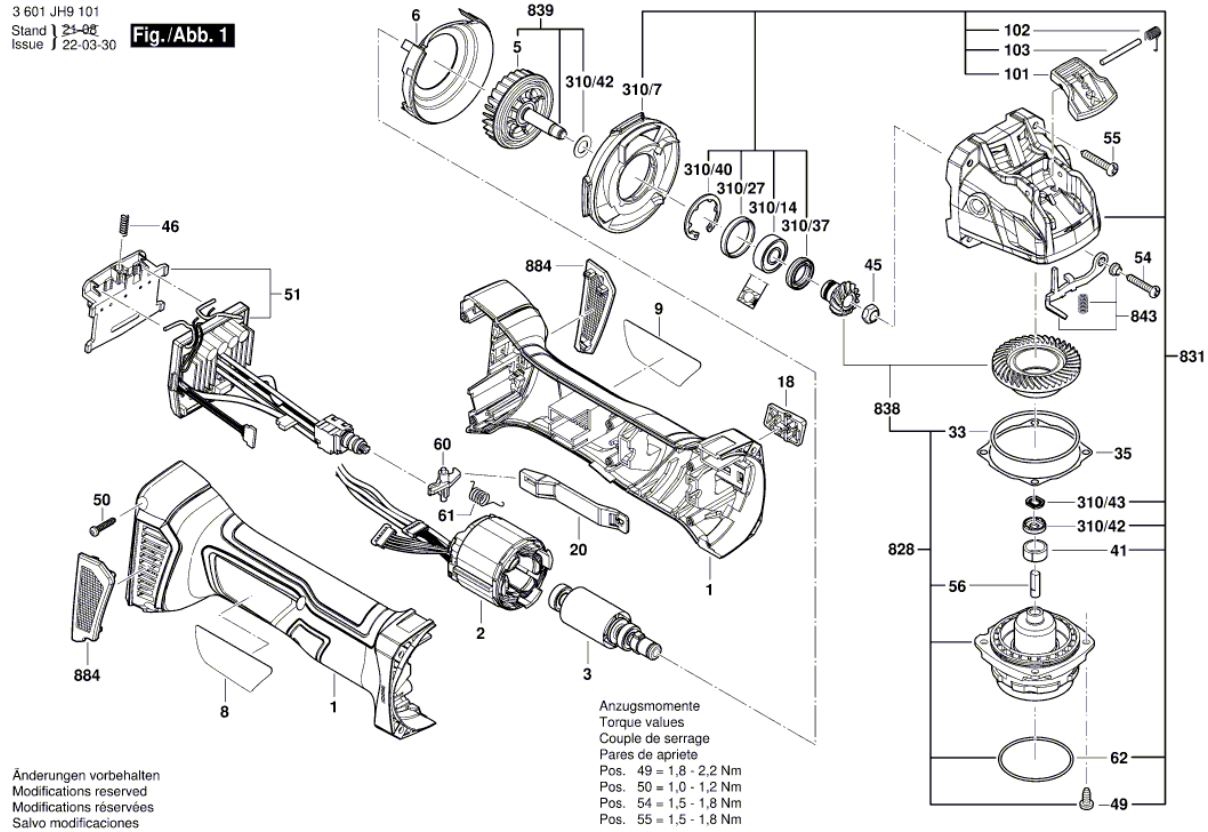
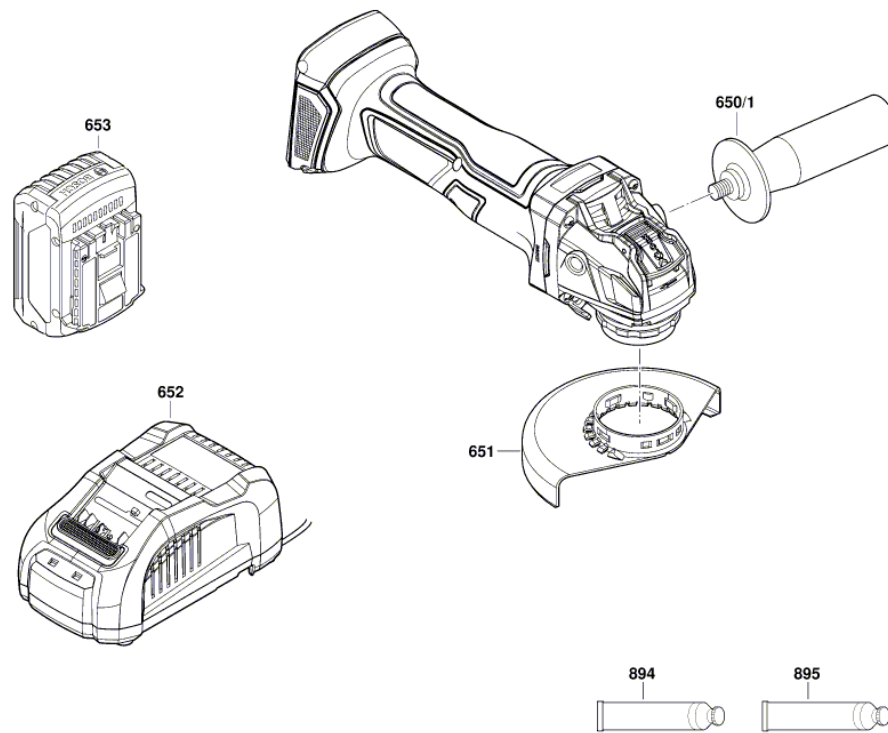


Illustration - Type - E

3 601 JH9 101
Stand } 21-01-26
Issue } **Fig. /Abb. 2**



Änderungen vorbehalten
Modifications reserved
Modifications réservées
Salvo modificaciones