

Cordless Angle Grinder - 3 601 GB0 610 - GWX18V-50...

www.powertools-aftersaleservice.com



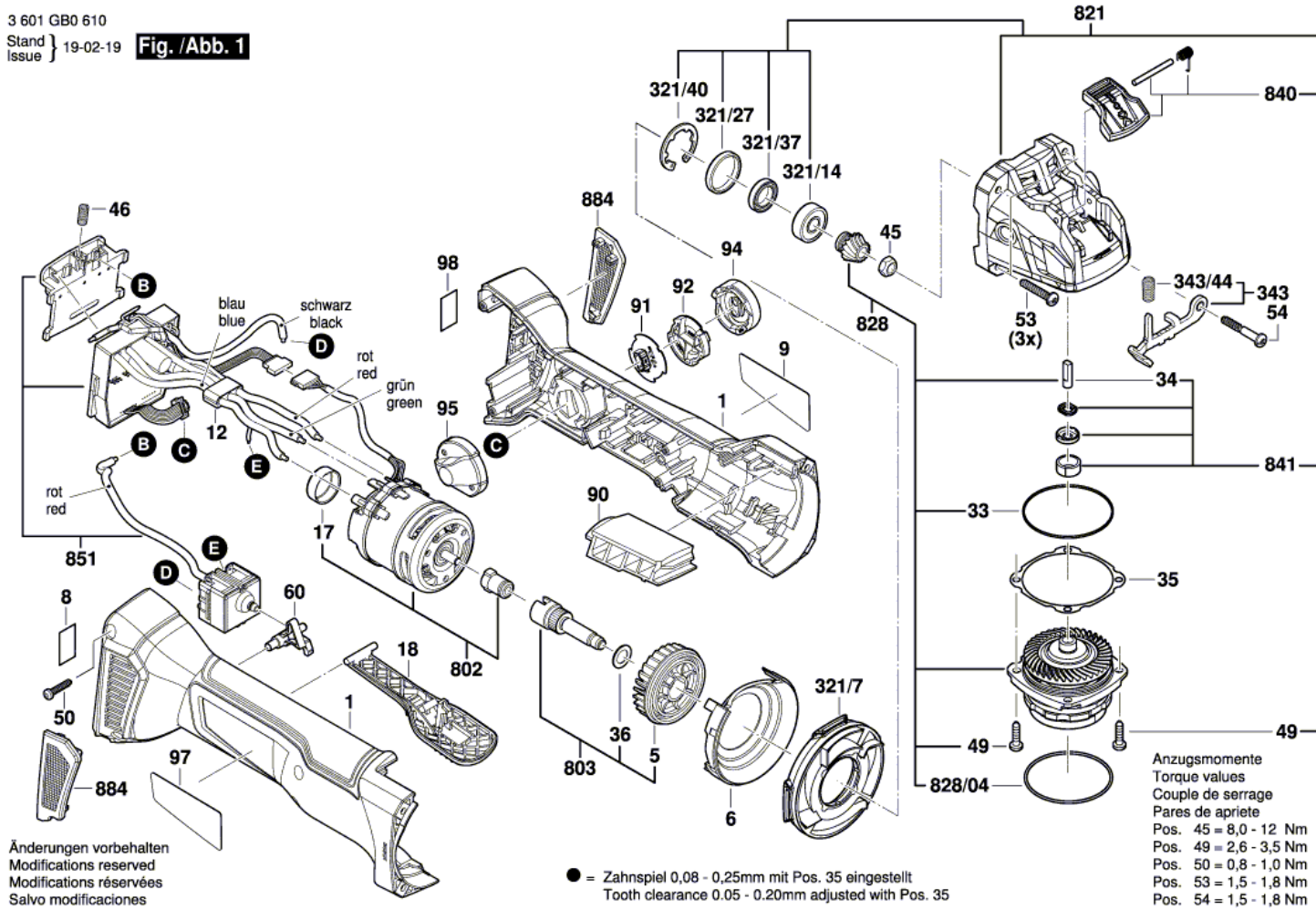
BOSCH

Item	Part Number	Description	Illustration	Price	Quantity	Price Group
1	1 605 108 2EL	Motor Housing	1	-,-	1	30
5	1 606 610 16E	Fan	1	-,-	1	14
6	1 600 591 065	Air-Deflector Ring	1	-,-	1	13
8	1 601 11A 6V3	Nameplate GWX18V-50PC	1	-,-	1	13
9	1 601 11C 2VA	Manufacturer's nameplate	1	-,-	1	13
12	1 600 A00 RK2	Ferrite	1	-,-	1	12
17	1 600 100 P12	Cover	1	-,-	1	11
18	1 600 A00 R9F	Switch-Pawl	1	-,-	1	16
33	1 600 210 035	O-Ring 46,0x1,1 MM	1	-,-	1	11
34	1 600 A01 2X9	Braking Element	1	-,-	1	12
35	1 600 136 013	Shim 0,1 MM THICK	1	-,-	1	13
35	1 600 136 014	Shim 0,2 MM THICK	1	-,-	1	13
35	1 600 136 015	Shim 0,3 MM THICK	1	-,-	1	13
35	1 600 136 020	Shim 0,15 MM THICK	1	-,-	1	13
36	1 610 100 023	Washer	1	-,-	1	10
45	1 603 300 016	Hex Nut M7, SW10	1	-,-	1	11
46	1 609 280 477	Compression Spring	1	-,-	1	11
49	1 603 435 08X	Thread-forming tap. Screw M4x16-St w/ Precote 85-3	1	-,-	4	10
50	1 603 435 071	Thread-forming tap. Screw	1	-,-	4	10
53	1 603 435 078	Torx Oval-Head Screw	1	-,-	3	10
54	1 603 414 026	Torx Oval-Head Screw 4x30	1	-,-	1	10
60	1 600 A00 R9L	Reverse-Transfer Lever	1	-,-	1	11
90	1 600 A00 P2N	Cover	1	-,-	1	12
91	1 607 503 438	Electronics Module	1	-,-	1	26
92	1 600 A00 M53	Cover Panel	1	-,-	1	10
94	1 605 500 2BV	Cover	1	-,-	1	12
95	1 600 A00 P1B	Cover	1	-,-	1	10
97	1 601 11C 2A1	Warning Plate	1	-,-	1	13
98	1 601 11C 16U	Warning Plate	1	-,-	1	13
321/7	1 600 591 05N	Air Distributor	1	-,-	1	12
321/14	1 600 905 032	groove ball bearing 8x22x7	1	-,-	1	18
321/27	1 600 206 025	Rubber Ring	1	-,-	1	12
321/37	1 600 A00 P17	Holder	1	-,-	1	10

Item	Part Number	Description	Illustration	Price	Quantity	Price Group
321/40	1 600 119 011	Retaining clip	1	-,-	1	12
343	1 607 000 742	Catch Lever	1	-,-	1	20
343/44	1 604 611 042	Compression Spring	1	-,-	1	11
650/1	1 602 025 052	Auxiliary Handle M10 ANTI-VIBRATION	2	-,-	1	31
652	2 607 225 921	Charger EU GAL 1880 CV 230/14,4-18V	2	-,-	1	49
653	2 607 337 069	Battery Pack BBS MR, 18V, 5,0 Ah 48 S	2	-,-	1	48
802	1 607 000 CA4	Motor	1	-,-	1	45
803	1 607 000 CA5	Bevel Gear Shaft	1	-,-	1	24
821	1 607 000 D7P	Gear Housing	1	-,-	1	34
828	1 607 000 D5J	Parts Set	1	-,-	1	39
828/04	3 600 210 109	O-Ring 47,0x1,5 MM	1	-,-	1	12
840	1 607 000 D5X	Parts Set	1	-,-	1	19
841	1 607 000 D5Z	Parts Set	1	-,-	1	17
851	1 607 000 D90	Electronics Module	1	-,-	1	47
884	1 607 000 CA9	Filter Unit	1	-,-	1	23
891	2 602 025 067	Auxiliary Handle M10, Ø32,5x105 MM	2	-,-	1	15
892	1 607 000 DG8	Protective Cover	2	-,-	1	-

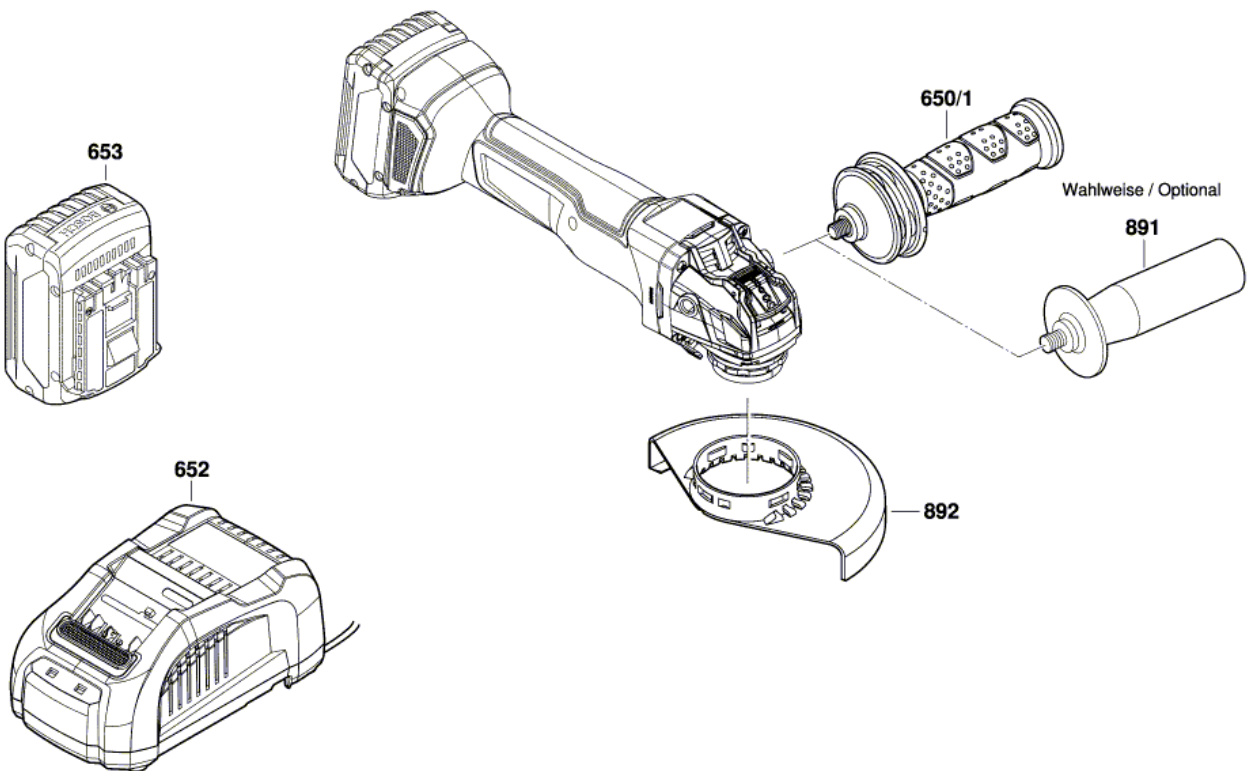
3 601 GB0 610
 Stand } 19-02-19
 Issue }

Fig. /Abb. 1



3 601 GB0 610
Stand } 19-03-21
Issue }

Fig. /Abb. 2



Änderungen vorbehalten
Modifications reserved
Modifications réservées
Salvo modificaciones

Information subject to change without further notice.