

| <u>Ref</u> | <u>Partnumber</u> | <u>Description</u>                 | <u>GX120K1</u> | <u>Serial Numbers</u> |
|------------|-------------------|------------------------------------|----------------|-----------------------|
| 001        | 28400-ZH8-013YA   | STARTER ASSY., RECOIL *R280 *      | 1              | 4142274               |
| 001        | 28400-ZH8-013ZA   | STARTER ASSY., RECOIL *R8 *        | 1              | 4142273               |
| 001        | 28400-ZH8-013ZA   | STARTER ASSY., RECOIL *R8 *        | 1              | 4142273               |
| 002        | 28410-ZH8-003YA   | CASE COMP., RECOIL STARTER *R280 * | 1              | 4142274               |
| 002        | 28410-ZH8-003ZA   | CASE COMP., RECOIL STARTER *R8 *   | 1              | 4142273               |
| 002        | 28410-ZH8-003ZA   | CASE COMP., RECOIL STARTER *R8 *   | 1              | 4142273               |
| 003        | 28420-ZH8-013     | REEL, RECOIL STARTER (NATURAL)     | 1              | 2169650               |
| 003        | 28420-ZH8-013     | REEL, RECOIL STARTER (NATURAL)     | 1              |                       |
| 004        | 28422-ZH8-013     | RATCHET, STARTER                   | 2              | 2169650               |
| 004        | 28422-ZH8-013     | RATCHET, STARTER                   | 2              |                       |
| 005        | 28433-ZH8-003     | GUIDE, RATCHET                     | 1              |                       |
| 006        | 28441-ZH8-003     | SPRING, FRICTION                   | 1              |                       |
| 007        | 28442-ZH8-003     | SPRING, RECOIL STARTER             | 1              |                       |
| <u>Ref</u> | <u>Partnumber</u> | <u>Description</u>                 | <u>GX120K1</u> | <u>Serial Numbers</u> |
| 008        | 28443-ZH8-003     | SPRING, RETURN                     | 2              |                       |
| 009        | 28461-ZH8-003     | GRIP, STARTER                      | 1              |                       |
| 010        | 28462-ZH8-003     | ROPE, RECOIL STARTER               | 1              |                       |
| 012        | 90003-ZH8-003     | SCREW, SETTING                     | 1              |                       |
| 013        | 90008-ZE2-003     | BOLT, FLANGE, 6X10                 | 3              |                       |
| 013        | 90008-ZE2-003     | BOLT, FLANGE, 6X10                 | (3)            |                       |



| <u>Ref</u> | <u>Partnumber</u> | <u>Description</u>            | <u>GX120K1</u> | <u>Serial Numbers</u> |
|------------|-------------------|-------------------------------|----------------|-----------------------|
| 001        | 11347-371-300     | GROMMET, ADJUSTING COVER      | 1              |                       |
| 004        | 19610-ZE0-000ZA   | COVER COMP., FAN *R8 *        | 1              | 4142673               |
| 004        | 19610-ZE0-000ZA   | COVER COMP., FAN *R8 *        | 1              | 4142673               |
| 004        | 19610-ZE0-000ZS   | COVER COMP., FAN *R280 *      | 1              | 4142674               |
| 004        | 19610-ZE0-000ZS   | COVER COMP., FAN *R280 *      | 1              | 4142674               |
| 006        | 19611-ZH7-810     | PLATE COMP., SIDE (OIL ALERT) | 1              |                       |
| 006        | 19611-ZH7-810     | PLATE COMP., SIDE (OIL ALERT) | 1              | 3257377               |
| 009        | 19630-ZH7-000     | SHROUD COMP.                  | 1              |                       |
| 011        | 36100-ZH7-W41     | SWITCH ASSY., ENGINE STOP     | 1              | 2867761               |
| 011        | 36100-ZH7-W41     | SWITCH ASSY., ENGINE STOP     | 1              |                       |
| 012        | 36101-ZE1-010     | CORD, STOP SWITCH (370MM)     | 1              |                       |
| 014        | 90013-883-000     | BOLT, FLANGE, 6X12 (CT200)    | 4              |                       |
| 014        | 90013-883-000     | BOLT, FLANGE, 6X12 (CT200)    | 6              |                       |
| <u>Ref</u> | <u>Partnumber</u> | <u>Description</u>            | <u>GX120K1</u> | <u>Serial Numbers</u> |
| 015        | 90022-888-010     | BOLT, FLANGE, 6X20 (CT200)    | 1              |                       |
| 017        | 34150-ZH7-003     | ALERT UNIT, OIL               | 1              |                       |
| 018        | 95701-0600800     | BOLT, FLANGE, 6X8             | 1              |                       |
| 022        | 90601-ZH7-013     | CLIP, HARNESS                 | 1              |                       |

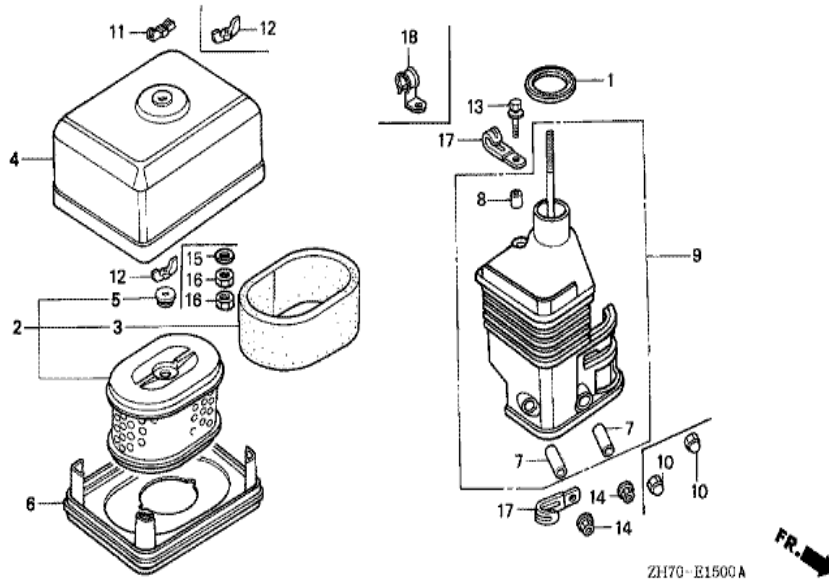


ZH70E1401B

FR. →

| Ref | Partnumber    | Description                | GX120K1 | Serial Numbers |
|-----|---------------|----------------------------|---------|----------------|
| 002 | 16010-ZE1-812 | GASKET SET                 | (1)     |                |
| 002 | 16010-ZE1-812 | GASKET SET                 | 1       |                |
| 003 | 16011-ZE0-005 | VALVE SET, FLOAT           | 1       |                |
| 004 | 16013-ZE0-005 | FLOAT SET                  | 1       |                |
| 005 | 16015-ZE0-831 | CHAMBER SET, FLOAT         | 1       |                |
| 005 | 16015-ZE0-831 | CHAMBER SET, FLOAT         | 1       | BE12A B        |
| 007 | 16024-ZE1-811 | SCREW SET, DRAIN           | 1       |                |
| 008 | 16028-ZE0-005 | SCREW SET                  | 1       |                |
| 009 | 16044-ZE0-005 | CHOKE SET                  | 1       |                |
| 010 | 16100-ZH7-W51 | CARBURETOR ASSY. (BE60B B) | 1       | 3491425        |
| 010 | 16100-ZH7-W51 | CARBURETOR ASSY. (BE60B B) | 1       |                |
| 011 | 16124-ZE0-005 | SCREW, THROTTLE STOP       | 1       |                |
| 012 | 16166-ZH7-W50 | NOZZLE, MAIN               | 1       | BE12A B        |

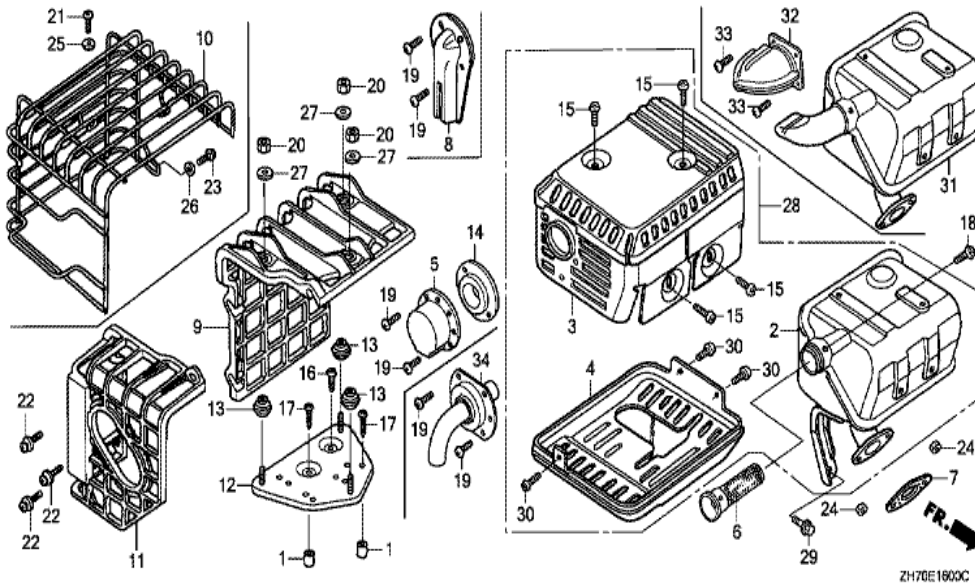
| <u>Ref</u> | <u>Partnumber</u> | <u>Description</u>         | <u>GX120K1</u> | <u>Serial Numbers</u> |
|------------|-------------------|----------------------------|----------------|-----------------------|
| 012        | 16166-ZH7-W50     | NOZZLE, MAIN               | 1              |                       |
| 013        | 16173-001-004     | PACKING, FUEL STRAINER CUP | 1              |                       |
| 014        | 16211-ZE0-000     | INSULATOR, CARBURETOR      | 1              |                       |
| 015        | 16212-ZH7-800     | PACKING, INSULATOR         | 1              |                       |
| 015        | 16212-ZH7-800     | PACKING, INSULATOR         | 1              |                       |
| 016        | 16220-ZE1-020     | SPACER COMP., CARBURETOR   | 1              |                       |
| 016        | 16220-ZE1-020     | SPACER COMP., CARBURETOR   | 1              |                       |
| 017        | 16221-ZH8-801     | PACKING, CARBURETOR        | 1              | 2534177               |
| 017        | 16221-ZH8-801     | PACKING, CARBURETOR        | 1              |                       |
| 020        | 16610-ZE1-000     | LEVER COMP., CHOKE (STD.)  | (1)            |                       |
| 020        | 16610-ZE1-000     | LEVER COMP., CHOKE (STD.)  | 1              |                       |
| 024        | 16953-ZE1-812     | LEVER, COCK                | 1              |                       |
| 025        | 16954-ZE1-812     | PLATE, LEVER SETTING       | 1              | BE12A C               |
| 025        | 16954-ZE1-812     | PLATE, LEVER SETTING       | 1              |                       |
| 026        | 16956-ZE1-811     | SPRING, COCK LEVER         | 1              |                       |
| 027        | 16957-ZE1-812     | PACKING, FUEL COCK         | 1              |                       |
| 028        | 16967-ZE0-811     | CUP, FUEL STRAINER         | 1              |                       |
| 030        | 93500-030061H     | SCREW, PAN, 3X6            | 2              |                       |
| 030        | 93500-030061H     | SCREW, PAN, 3X6            | 2              | BE12A B               |
| 033        | 94305-20122       | PIN, SPRING, 2X12          | 1              |                       |
| 034        | 99101-ZH80550     | JET, MAIN, #55             | (1)            |                       |
| 034        | 99101-ZH80550     | JET, MAIN, #55             | (1)            |                       |
| 034        | 99101-ZH80580     | JET, MAIN, #58             | (1)            |                       |
| 034        | 99101-ZH80580     | JET, MAIN, #58             | (1)            |                       |
| 034        | 99101-ZH80600     | JET, MAIN, #60             | 1              | BE12A B               |
| 034        | 99101-ZH80600     | JET, MAIN, #60             | 1              |                       |
| 035        | 99204-ZE00350     | JET SET, PILOT, #35        | 1              |                       |
| 036        | 16016-ZH7-W01     | SCREW SET, PILOT           | 1              |                       |



ZH70-E1500A



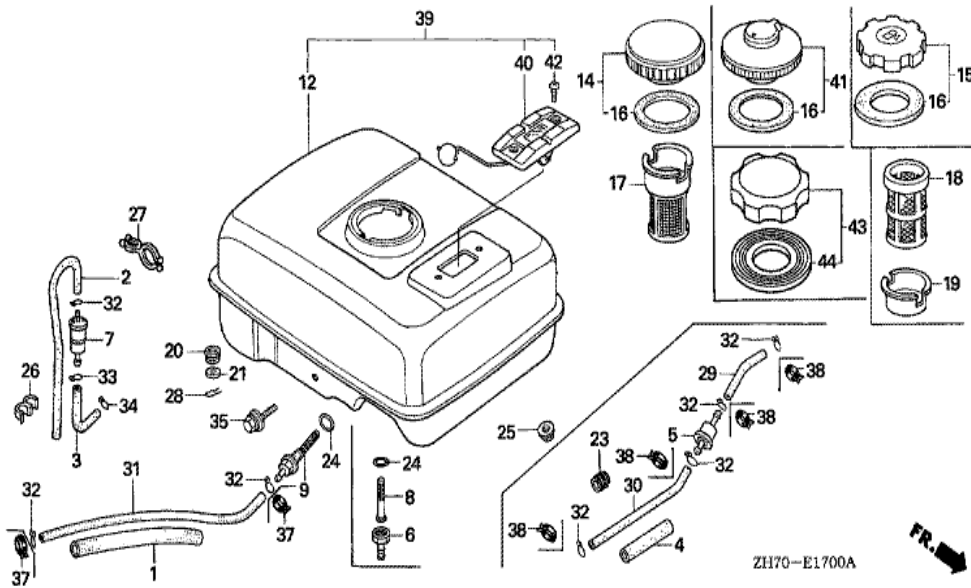
| <u>Ref</u> | <u>Partnumber</u> | <u>Description</u>          | <u>GX120K1</u> | <u>Serial Numbers</u> |
|------------|-------------------|-----------------------------|----------------|-----------------------|
| 001        | 16271-ZE1-000     | PACKING, ELBOW              | 1              |                       |
| 002        | 17210-ZE0-822     | ELEMENT, AIR CLEANER (DUAL) | 1              |                       |
| 003        | 17218-ZE0-821     | FILTER, OUTER               | 1              |                       |
| 004        | 17230-ZE0-820     | COVER, AIR CLEANER (DUAL)   | 1              |                       |
| 005        | 17232-891-000     | GROMMET, AIR CLEANER        | 1              |                       |
| 007        | 17238-ZE0-010     | COLLAR, AIR CLEANER         | 2              |                       |
| 008        | 17239-ZE1-000     | COLLAR B, AIR CLEANER       | 1              |                       |
| 009        | 17410-ZE0-030     | ELBOW COMP., AIR CLEANER    | 1              |                       |
| 012        | 90325-044-000     | NUT, TOOL BOX SETTING       | 1              | 2329087               |
| 012        | 90325-044-000     | NUT, TOOL BOX SETTING       | 2              |                       |
| 013        | 95701-0602000     | BOLT, FLANGE, 6X20          | 1              |                       |
| 014        | 94050-06000       | NUT, FLANGE, 6MM            | 2              |                       |
| 015        | 94101-06800       | WASHER, PLAIN, 6MM          | 1              |                       |
| <u>Ref</u> | <u>Partnumber</u> | <u>Description</u>          | <u>GX120K1</u> | <u>Serial Numbers</u> |
| 015        | 94101-06800       | WASHER, PLAIN, 6MM          | 2              |                       |



ZH70E1800C

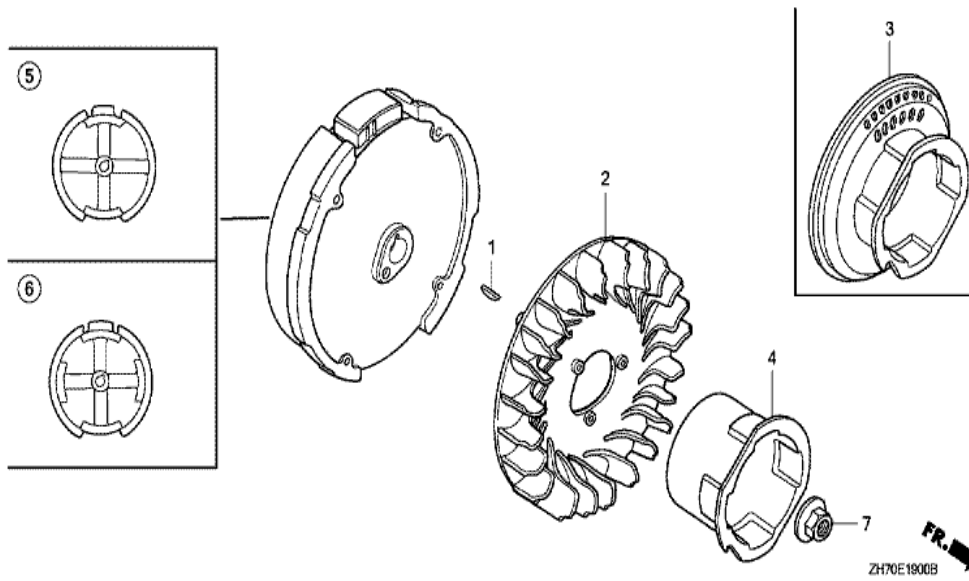
| Ref | Partnumber    | Description                       | GX120K1 | Serial Numbers |
|-----|---------------|-----------------------------------|---------|----------------|
| 001 | 17233-896-701 | COLLAR, AIR CLEANER CASE          | (2)     |                |
| 002 | 18310-ZF1-000 | MUFFLER COMP. (STD.)              | (1)     |                |
| 002 | 18310-ZF1-000 | MUFFLER COMP. (STD.)              | 1       | 3904652        |
| 002 | 18310-ZH8-810 | MUFFLER COMP. (ARRESTER)          | 1       |                |
| 002 | 18310-ZH8-810 | MUFFLER COMP. (ARRESTER)          | (1)     | 3904653        |
| 003 | 18320-ZF1-H01 | PROTECTOR, MUFFLER (STD.) (BLACK) | 1       | 2470941        |
| 003 | 18320-ZF1-H01 | PROTECTOR, MUFFLER (STD.) (BLACK) | 1       |                |
| 005 | 18340-ZE1-010 | DEFLECTOR COMP.                   | 1       |                |
| 006 | 18355-ZE1-000 | ARRESTER, SPARK                   | 1       |                |
| 006 | 18355-ZE1-000 | ARRESTER, SPARK                   | 1       | 3904653        |
| 007 | 18381-ZH8-800 | GASKET, MUFFLER                   | 1       | 2157160        |
| 007 | 18381-ZH8-800 | GASKET, MUFFLER                   | 1       |                |
| 008 | 18431-ZH8-W50 | DEFLECTOR, MUFFLER                | (1)     |                |

| <u>Ref</u> | <u>Partnumber</u> | <u>Description</u>        | <u>GX120K1</u> | <u>Serial Numbers</u> |
|------------|-------------------|---------------------------|----------------|-----------------------|
| 009        | 18433-ZH8-W40     | COVER COMP., MUFFLER      | (1)            |                       |
| 011        | 18434-ZH8-W40     | COVER COMP., RR. MUFFLER  | (1)            |                       |
| 012        | 18436-ZH8-W40     | BASE COMP., MUFFLER COVER | (1)            |                       |
| 013        | 18466-ZH8-W40     | SPACER, MUFFLER COVER     | (3)            |                       |
| 014        | 18522-ZE1-000     | GUIDE, MUFFLER            | 1              |                       |
| 015        | 90050-ZE1-000     | SCREW, TAPPING, 5X8       | 4              |                       |
| 016        | 90050-ZE1-000     | SCREW, TAPPING, 5X8       | (1)            |                       |
| 017        | 90050-ZH8-W40     | SCREW, TAPPING, 5X25      | (2)            |                       |
| 018        | 90055-ZE1-000     | SCREW, TAPPING, 4X6       | 1              |                       |
| 018        | 90055-ZE1-000     | SCREW, TAPPING, 4X6       | 1              | 3904653               |
| 019        | 90002-ZG0-003     | SCREW, TAPPING, 4X8       | 2              |                       |
| 019        | 90002-ZG0-003     | SCREW, TAPPING, 4X8       | 2              | 2249341               |
| 019        | 90055-ZE1-000     | SCREW, TAPPING, 4X6       | 2              |                       |
| 019        | 90055-ZE1-000     | SCREW, TAPPING, 4X6       | 1              | 3904653               |
| 020        | 90302-KF9-900     | NUT, HEX., 5MM            | (3)            |                       |
| 022        | 93891-0602007     | SCREW-WASHER, 6X20        | (3)            |                       |
| 024        | 94001-080000S     | NUT, HEX., 8MM            | 2              |                       |
| 024        | 94001-080000S     | NUT, HEX., 8MM            | 2              |                       |
| 027        | 94103-05700       | WASHER, PLAIN, 5MM        | (3)            |                       |
| 030        | 90055-ZE1-000     | SCREW, TAPPING, 4X6       | 1              | 3904653               |

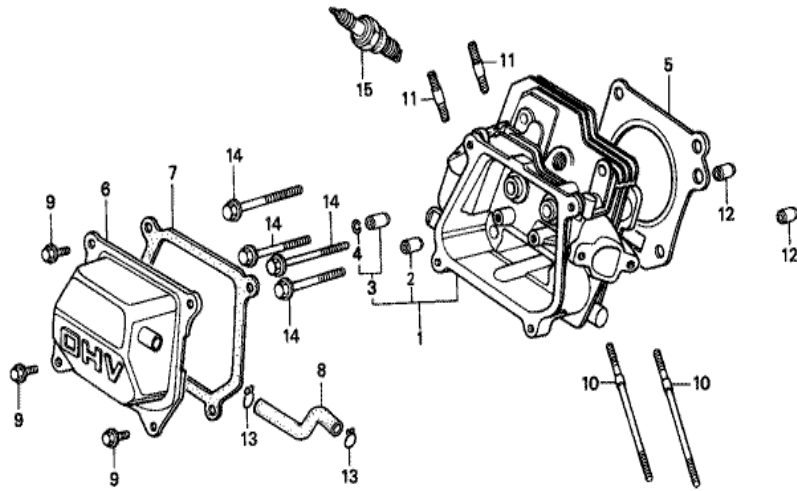


| Ref        | Partnumber        | Description                              | GX120K1        | Serial Numbers        |
|------------|-------------------|--|----------------|-----------------------|
| 001        | 16854-ZH8-000     | RUBBER, SUPPORTER (107MM)                | 1              |                       |
| 009        | 16955-ZE1-000     | JOINT, FUEL TANK                         | 1              |                       |
| 012        | 17510-ZE0-020ZA   | TANK COMP., FUEL *NH31 *                 | 1              |                       |
| 015        | 17620-ZH7-023     | CAP COMP., FUEL FILLER (BLACK)           | 1              | 3053131 4203082       |
| 015        | 17620-ZH7-023     | CAP COMP., FUEL FILLER (BLACK)           | 1              | 4203082               |
| 016        | 17631-ZH7-003     | PACKING, FUEL FILLER CAP (39X58X3)       | 1              | 2421923 4203082       |
| 016        | 17631-ZH7-003     | PACKING, FUEL FILLER CAP (39X58X3)       | 1              | 4203082               |
| 024        | 91353-671-004     | O-RING, 14MM (NOK)                       | 1              |                       |
| 025        | 94050-06000       | NUT, FLANGE, 6MM                         | 2              |                       |
| 031        | 95001-4514040     | TUBE, FUEL, 4.5X140 (95001-45001-60M)    | 1              |                       |
| 032        | 95002-02080       | CLIP, TUBE (B8)                          | 1              |                       |
| 032        | 95002-02080       | CLIP, TUBE (B8)                          | 2              |                       |
| 035        | 95701-0602500     | BOLT, FLANGE, 6X25                       | 1              |                       |
| <u>Ref</u> | <u>Partnumber</u> | <u>Description</u>                       | <u>GX120K1</u> | <u>Serial Numbers</u> |
| 035        | 95701-0602500     | BOLT, FLANGE, 6X25                       | 1              |                       |
| 043        | 17620-Z0T-814     | CAP COMP., FUEL FILLER (CHROME PLATED) ( | 1              | 4203083               |
| 043        | 17620-Z0T-814     | CAP COMP., FUEL FILLER (CHROME PLATED) ( | 1              | 4203083 4203082       |
| 044        | 17631-Z0T-812     | PACKING, FUEL FILLER CAP (39X62X3) (TOUY | 1              | 4203083               |
| 044        | 17631-Z0T-812     | PACKING, FUEL FILLER CAP (39X62X3) (TOUY | (1)            | 4203083               |





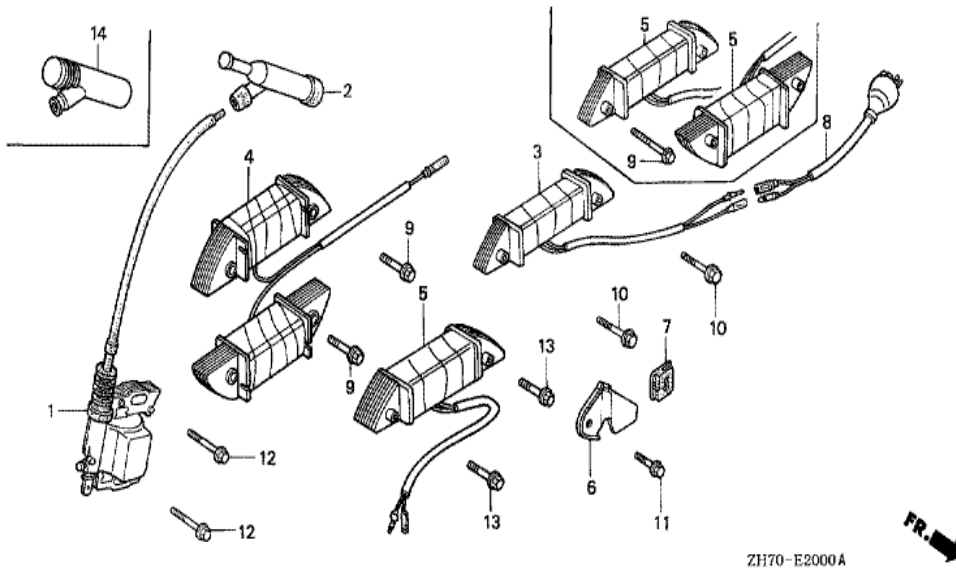
| Ref | Partnumber    | Description                  | GX120K1 | Serial Numbers |
|-----|---------------|------------------------------|---------|----------------|
| 001 | 13331-357-000 | KEY, SPECIAL WOODRUFF, 25X18 | 1       |                |
| 002 | 19511-ZE0-000 | FAN, COOLING                 | 1       |                |
| 004 | 28451-ZH7-003 | PULLEY, STARTER              | 1       |                |
| 004 | 28451-ZH7-003 | PULLEY, STARTER              | 1       | 3917141        |
| 004 | 28451-ZH8-003 | PULLEY, STARTER              | 1       | 3917140        |
| 004 | 28451-ZH8-003 | PULLEY, STARTER              | 1       | 3917140        |
| 005 | 31100-ZE0-010 | FLYWHEEL COMP.               | (1)     |                |
| 005 | 31100-ZE0-010 | FLYWHEEL COMP.               | 1       |                |
| 007 | 90201-878-003 | NUT, SPECIAL, 14MM           | 1       |                |



ZH70-B0200

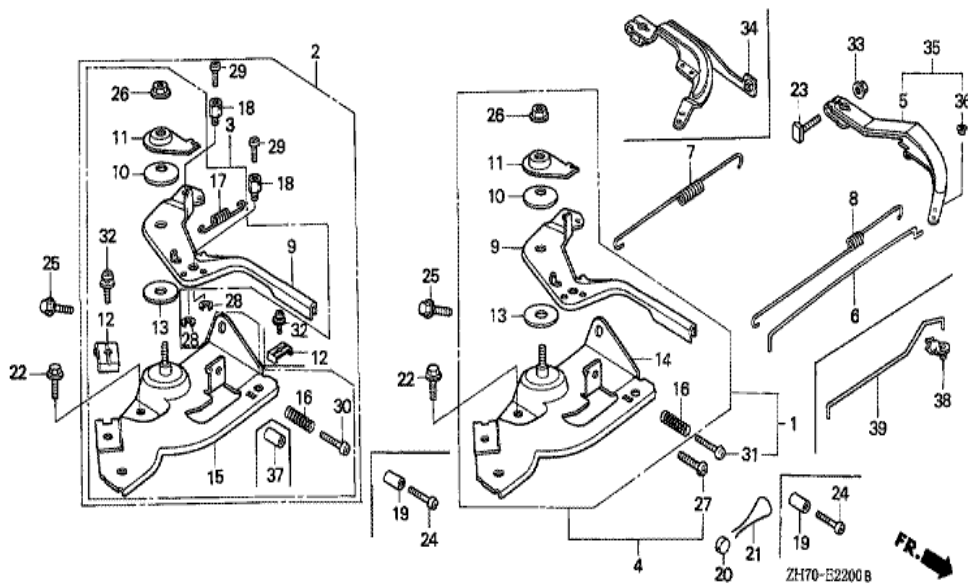


| Ref        | Partnumber        | Description                    | GX120K1        | Serial Numbers        |         |
|------------|-------------------|--------------------------------|----------------|-----------------------|---------|
| 001        | 12210-ZH7-405     | HEAD COMP., CYLINDER           | 1              |                       |         |
| 001        | 12210-ZH7-405     | HEAD COMP., CYLINDER           | 1              |                       |         |
| 002        | 12204-ZE1-306     | GUIDE, IN. VALVE (OS)          | (1)            | 2156735               |         |
| 002        | 12204-ZE1-306     | GUIDE, IN. VALVE (OS)          | (1)            |                       |         |
| 003        | 12205-ZE1-315     | GUIDE, EX. VALVE (OS)          | (1)            |                       |         |
| 004        | 12216-ZE5-300     | CLIP, VALVE GUIDE              | 1              |                       |         |
| 005        | 12251-ZH7-800     | GASKET, CYLINDER HEAD          | 1              | 2157160               |         |
| 005        | 12251-ZH7-800     | GASKET, CYLINDER HEAD          | 1              |                       |         |
| 006        | 12310-ZE1-010     | COVER COMP., HEAD              | 1              | 2533058               | 3909674 |
| 006        | 12310-ZE1-010     | COVER COMP., HEAD              | 1              |                       | 3909674 |
| 006        | 12310-ZE1-020     | COVER COMP., HEAD              | 1              | 3909675               |         |
| 006        | 12310-ZE1-020     | COVER COMP., HEAD              | 1              | 3909675               |         |
| 007        | 12391-ZE1-000     | PACKING, HEAD COVER            | 1              |                       |         |
| <u>Ref</u> | <u>Partnumber</u> | <u>Description</u>             | <u>GX120K1</u> | <u>Serial Numbers</u> |         |
| 008        | 15721-ZH8-000     | TUBE, BREATHER                 | 1              |                       |         |
| 008        | 15721-ZH8-000     | TUBE, BREATHER                 | 1              |                       |         |
| 009        | 90013-883-000     | BOLT, FLANGE, 6X12 (CT200)     | 4              |                       |         |
| 009        | 90013-883-000     | BOLT, FLANGE, 6X12 (CT200)     | 4              | 2299857               |         |
| 010        | 90043-ZE1-020     | BOLT, STUD, 6X112              | 2              | 2400126               |         |
| 010        | 90043-ZE1-020     | BOLT, STUD, 6X112              | 2              |                       |         |
| 011        | 90047-ZE1-000     | BOLT, STUD, 8X32               | 2              |                       |         |
| 012        | 94301-10160       | DOWEL PIN, 10X16               | 2              |                       |         |
| 014        | 95723-0805500     | BOLT, FLANGE, 8X55             | 4              |                       |         |
| 015        | 98079-56846       | PLUG, SPARK (BPR6ES) (NGK)     | 1              | 3491425               |         |
| 015        | 98079-56846       | PLUG, SPARK (BPR6ES) (NGK)     | 1              |                       |         |
| 015        | 98079-56855       | PLUG, SPARK (W20EPR-U) (DENSO) | (1)            |                       |         |
| 015        | 98079-56855       | PLUG, SPARK (W20EPR-U) (DENSO) | 1              |                       |         |

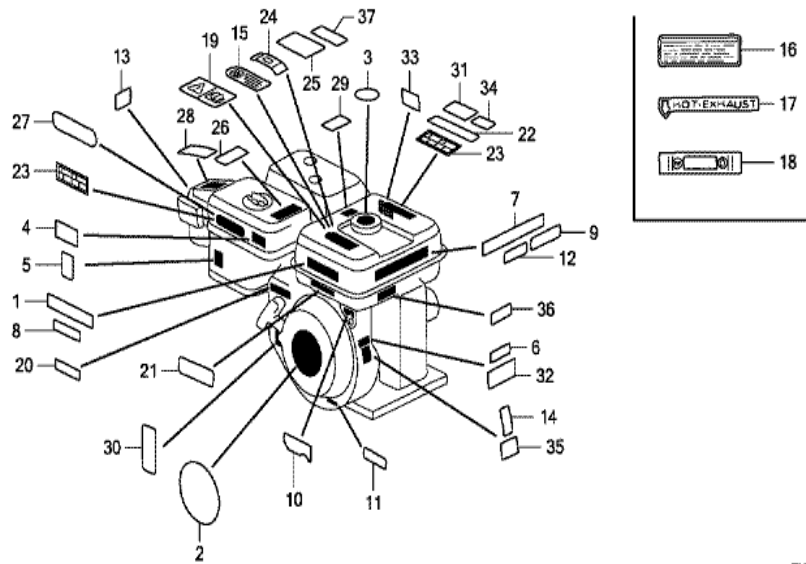


ZH70-E2000A

| Ref | Partnumber    | Description                               | GX120K1 | Serial Numbers |
|-----|---------------|---|---------|----------------|
| 001 | 30500-ZE1-033 | COIL ASSY., IGNITION                      | 1       | 2400126        |
| 001 | 30500-ZE1-033 | COIL ASSY., IGNITION                      | 1       | 4075104        |
| 001 | 30500-ZE1-043 | COIL ASSY., IGNITION                      | 1       | 4075105        |
| 001 | 30500-ZE1-043 | COIL ASSY., IGNITION                      | 1       | 4075105        |
| 002 | 30700-ZE1-013 | CAP ASSY., NOISE SUPPRESSOR (NICHIIWA Y-E | 1       | 3491425        |
| 002 | 30700-ZE1-013 | CAP ASSY., NOISE SUPPRESSOR (NICHIIWA Y-E | 1       |                |
| 012 | 90121-952-000 | BOLT, FLANGE, 6X25 (CT200)                | 2       |                |

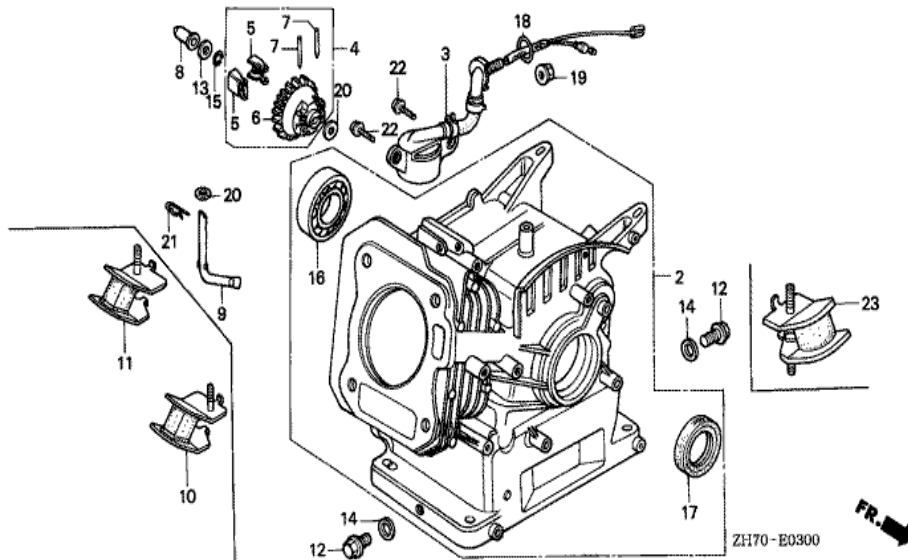


| Ref | Partnumber    | Description                | GX120K1 | Serial Numbers |
|-----|---------------|----------------------------|---------|----------------|
| 003 | 16500-ZH7-820 | CONTROL ASSY. (REMOTE)     | 1       |                |
| 005 | 16551-ZE0-010 | ARM, GOVERNOR              | 1       |                |
| 006 | 16555-ZE0-000 | ROD, GOVERNOR              | 1       |                |
| 007 | 16561-ZE0-020 | SPRING, GOVERNOR           | 1       |                |
| 008 | 16562-ZE0-020 | SPRING, THROTTLE RETURN    | 1       |                |
| 009 | 16571-ZH7-000 | LEVER, CONTROL             | (1)     |                |
| 009 | 16571-ZH7-000 | LEVER, CONTROL             | 1       |                |
| 010 | 16574-ZE1-000 | SPRING, LEVER              | 1       |                |
| 011 | 16575-ZH8-000 | WASHER, CONTROL LEVER      | 1       |                |
| 012 | 16576-891-000 | HOLDER, CABLE              | 1       |                |
| 013 | 16578-ZE1-000 | SPACER, CONTROL LEVER      | 1       |                |
| 015 | 16580-ZH7-810 | BASE COMP., CONTROL (###)  | 1       |                |
| 015 | 16580-ZH7-810 | BASE COMP., CONTROL (###)  | 1       | 3303356        |
| Ref | Partnumber    | Description                | GX120K1 | Serial Numbers |
| 016 | 16584-883-300 | SPRING, CONTROL ADJUSTING  | 1       |                |
| 017 | 16592-ZE1-810 | SPRING, CABLE RETURN       | 1       |                |
| 019 | 16599-ZG1-M10 | COLLAR, STOPPER            | (1)     |                |
| 022 | 90013-883-000 | BOLT, FLANGE, 6X12 (CT200) | 1       |                |
| 023 | 90015-ZE5-010 | BOLT, GOVERNOR ARM         | 1       |                |
| 024 | 90016-ZG9-N30 | SCREW, RECESSED, 5X25      | (1)     |                |
| 024 | 90016-ZG9-N30 | SCREW, RECESSED, 5X25      | (1)     |                |
| 025 | 90022-888-010 | BOLT, FLANGE, 6X20 (CT200) | 1       |                |
| 026 | 90114-SA0-000 | NUT, SELF-LOCK, 6MM        | 1       |                |
| 030 | 93500-050250H | SCREW, PAN, 5X25           | (1)     |                |
| 030 | 93500-050250H | SCREW, PAN, 5X25           | 1       |                |
| 032 | 93500-050160A | SCREW, PAN, 5X16           | 1       |                |
| 032 | 93500-050160A | SCREW, PAN, 5X16           | 1       | 2308557        |
| 033 | 94050-06000   | NUT, FLANGE, 6MM           | 1       |                |

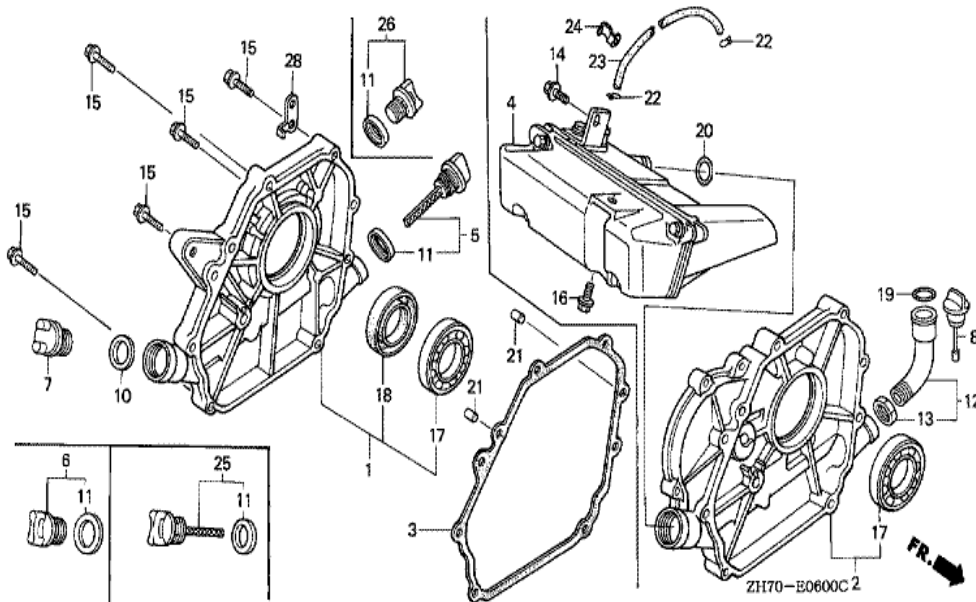


ZH70E2800E

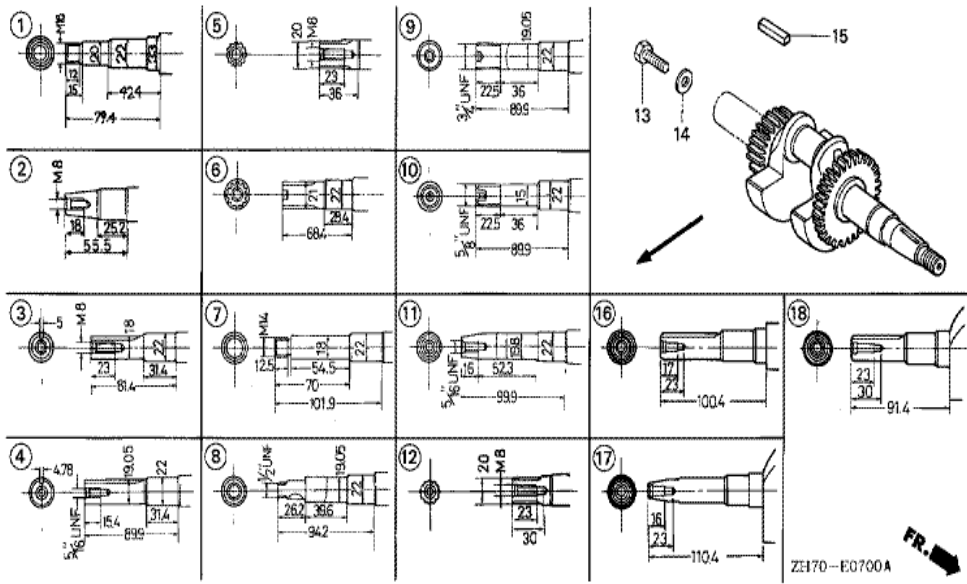
| <u>Ref</u> | <u>Partnumber</u> | <u>Description</u>             | <u>GX120K1</u> | <u>Serial Numbers</u> |         |
|------------|-------------------|--------------------------------|----------------|-----------------------|---------|
| 001        | 87522-ZH9-010     | LABEL, CAUTION (ENGLISH, ETC.) | (1)            |                       |         |
| 001        | 87522-ZH9-010     | LABEL, CAUTION (ENGLISH, ETC.) | 1              |                       |         |
| 002        | 87521-ZH7-010     | EMBLEM                         | 1              | 2185870               | 3841370 |
| 002        | 87521-ZH7-010     | EMBLEM                         | 1              |                       | 3841370 |
| 002        | 87521-ZH7-020     | EMBLEM (4.0)                   | 1              | 3841371               | 4142243 |
| 002        | 87521-ZH7-020     | EMBLEM (4.0)                   | 1              | 3841371               | 4142243 |
| 002        | 87521-ZH7-030     | EMBLEM (4.0)                   | 1              | 4142244               |         |
| 002        | 87521-ZH7-030     | EMBLEM (4.0)                   | 1              | 4142244               |         |
| 005        | 87528-733-E90     | MARK, CHOKE (H=36)             | 1              |                       |         |
| 005        | 87528-733-E90     | MARK, CHOKE (H=36)             | 1              | 2476408               |         |
| 011        | 87532-ZH8-W40     | MARK, THROTTLE INDICATION      | 1              |                       |         |
| 012        | 87532-ZH8-810     | MARK, OIL ALERT (ENGLISH)      | 1              | 2186370               |         |
| 012        | 87532-ZH8-810     | MARK, OIL ALERT (ENGLISH)      | 1              |                       |         |
| <u>Ref</u> | <u>Partnumber</u> | <u>Description</u>             | <u>GX120K1</u> | <u>Serial Numbers</u> |         |
| 019        | 87522-ZH8-W40     | MARK, CAUTION (PICTOGRAPH)     | 1              |                       |         |



| <u>Ref</u> | <u>Partnumber</u> | <u>Description</u>                 | <u>GX120K1</u> | <u>Serial Numbers</u> |
|------------|-------------------|------------------------------------|----------------|-----------------------|
| 002        | 12000-ZH7-415     | BARREL ASSY., CYLINDER (OIL ALERT) | (1)            | 4205163               |
| 002        | 12000-ZH7-415     | BARREL ASSY., CYLINDER (OIL ALERT) | 1              | 4205163               |
| 002        | 12000-ZH7-425     | BARREL ASSY., CYLINDER             | (1)            | 4205164               |
| 002        | 12000-ZH7-425     | BARREL ASSY., CYLINDER             | 1              | 4205164               |
| 003        | 15510-ZE1-033     | SWITCH ASSY., OIL LEVEL            | 1              | 3327461               |
| 003        | 15510-ZE1-033     | SWITCH ASSY., OIL LEVEL            | 1              |                       |
| 004        | 16510-ZE1-000     | GOVERNOR ASSY.                     | 1              |                       |
| 005        | 16511-ZE1-000     | WEIGHT, GOVERNOR                   | 2              |                       |
| 006        | 16512-ZE1-000     | HOLDER, GOVERNOR WEIGHT            | 1              |                       |
| 007        | 16513-ZE1-000     | PIN, GOVERNOR WEIGHT               | 2              |                       |
| 008        | 16531-ZE1-000     | SLIDER, GOVERNOR                   | 1              |                       |
| 009        | 16541-ZE1-000     | SHAFT, GOVERNOR ARM                | 1              |                       |
| 012        | 90131-ZE1-000     | BOLT, DRAIN PLUG                   | 2              |                       |
| <u>Ref</u> | <u>Partnumber</u> | <u>Description</u>                 | <u>GX120K1</u> | <u>Serial Numbers</u> |
| 013        | 90451-ZE1-000     | WASHER, THRUST, 6MM                | 1              |                       |
| 014        | 90601-ZE1-000     | WASHER, DRAIN PLUG, 10.2MM         | 2              |                       |
| 015        | 90602-ZE1-000     | CLIP, GOVERNOR HOLDER              | 1              |                       |
| 016        | 91001-878-003     | BEARING, RADIAL BALL,              | 1              |                       |
| 017        | 91202-ZE6-003     | OIL SEAL, 22X35X6                  | 1              |                       |
| 017        | 91202-ZE6-003     | OIL SEAL, 22X35X6                  | 1              | 4205163               |
| 017        | 91202-ZE6-013     | OIL SEAL, 22X35X6                  | 1              | 4205164               |
| 017        | 91202-ZE6-013     | OIL SEAL, 22X35X6                  | 1              | 4205164               |
| 018        | 91353-671-004     | O-RING, 14MM (NOK)                 | 1              |                       |
| 019        | 94050-10000       | NUT, FLANGE, 10MM                  | 1              |                       |
| 020        | 94101-06800       | WASHER, PLAIN, 6MM                 | 2              |                       |
| 021        | 94251-08000       | PIN, LOCK, 8MM                     | 1              |                       |
| 022        | 95701-0601200     | BOLT, FLANGE, 6X12                 | 2              |                       |

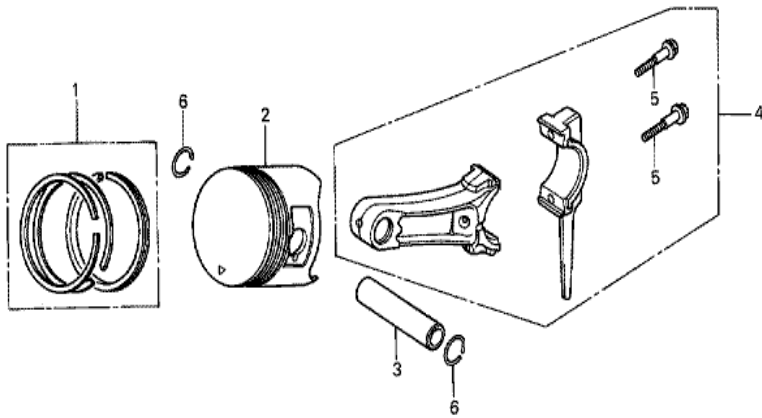


| <u>Ref</u> | <u>Partnumber</u> | <u>Description</u>           | <u>GX120K1</u> | <u>Serial Numbers</u> |         |
|------------|-------------------|------------------------------|----------------|-----------------------|---------|
| 001        | 11300-ZE0-633     | COVER ASSY., CRANKCASE       | 1              | 2902022               | 4223185 |
| 001        | 11300-ZE0-633     | COVER ASSY., CRANKCASE       | 1              |                       | 4223185 |
| 001        | 11300-ZE0-634     | COVER ASSY., CRANKCASE       | 1              | 4223186               |         |
| 001        | 11300-ZE0-634     | COVER ASSY., CRANKCASE       | 1              | 4223186               |         |
| 003        | 11381-ZH7-800     | PACKING, CASE COVER          | 1              | 2272435               |         |
| 003        | 11381-ZH7-800     | PACKING, CASE COVER          | 1              |                       |         |
| 005        | 15600-ZE1-003     | CAP ASSY., OIL FILLER (GRAY) | 1              | 2354643               |         |
| 005        | 15600-ZE1-003     | CAP ASSY., OIL FILLER (GRAY) | 1              |                       |         |
| 006        | 15600-ZG4-003     | CAP ASSY., OIL FILLER        | 1              |                       |         |
| 011        | 15625-ZE1-003     | PACKING, OIL FILLER CAP      | 2              | 2354643               |         |
| 011        | 15625-ZE1-003     | PACKING, OIL FILLER CAP      | 2              |                       |         |
| 015        | 90015-883-000     | BOLT, FLANGE, 6X28 (CT200)   | 7              |                       |         |
| 017        | 91001-878-003     | BEARING, RADIAL BALL,        | 1              |                       |         |
| <u>Ref</u> | <u>Partnumber</u> | <u>Description</u>           | <u>GX120K1</u> | <u>Serial Numbers</u> |         |
| 018        | 91203-ZE0-003     | OIL SEAL, 22X41X6            | 1              |                       |         |
| 018        | 91203-ZE0-003     | OIL SEAL, 22X41X6            | 1              |                       | 4223185 |
| 018        | 91203-ZE0-013     | OIL SEAL, 22X41X6            | 1              | 4228309               |         |
| 018        | 91203-ZE0-013     | OIL SEAL, 22X41X6            | 1              | 4223186               |         |
| 021        | 94301-08140       | DOWEL PIN, 8X14              | 2              |                       |         |



| Ref | Partnumber    | Description          | GX120K1 | Serial Numbers |
|-----|---------------|----------------------|---------|----------------|
| 003 | 13310-ZE0-000 | CRANKSHAFT COMP.     | 1       |                |
| 015 | 90741-883-810 | KEY, 5X5X33 (YELLOW) | 1       |                |



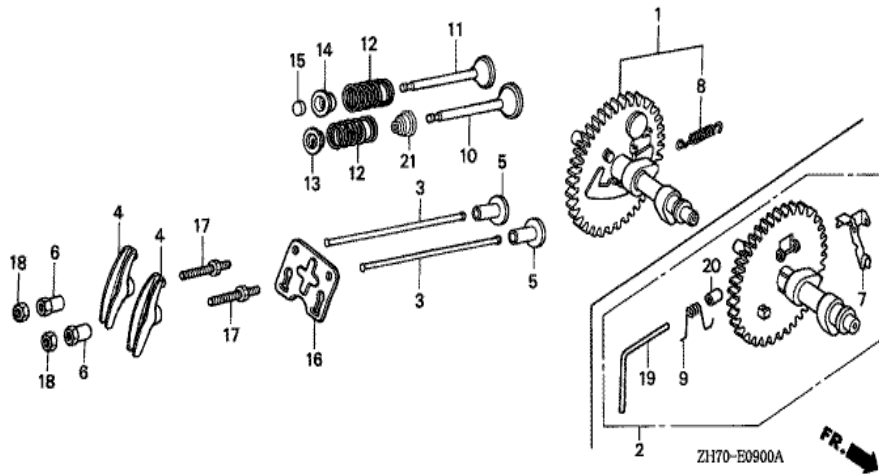


ZH70-E0800



| Ref | Partnumber    | Description                       | GX120K1 | Serial Numbers  |
|-----|---------------|-----------------------------------|---------|-----------------|
| 001 | 13010-ZH7-003 | RING SET, PISTON (STD.) (TEIKOKU) | 1       | 3993726         |
| 001 | 13010-ZH7-003 | RING SET, PISTON (STD.) (TEIKOKU) | 1       | 3993726         |
| 001 | 13010-ZH7-004 | RING SET, PISTON (STD.) (NIPPON)  | 1       | 3993726         |
| 001 | 13010-ZH7-004 | RING SET, PISTON (STD.) (NIPPON)  | 1       | 3993726         |
| 001 | 13010-ZK7-V01 | RING SET, PISTON (STD.) (TEIKOKU) | 1       | 3284617 3993725 |
| 001 | 13010-ZK7-V01 | RING SET, PISTON (STD.) (TEIKOKU) | 1       | 3993725         |
| 001 | 13010-ZK7-V02 | RING SET, PISTON (STD.) (NIPPON)  | 1       | 3284617 3993725 |
| 001 | 13010-ZK7-V02 | RING SET, PISTON (STD.) (NIPPON)  | 1       | 3993725         |
| 001 | 13011-ZH7-003 | RING SET, PISTON (0.25) (TEIKOKU) | (1)     | 3993726         |
| 001 | 13011-ZH7-003 | RING SET, PISTON (0.25) (TEIKOKU) | (1)     | 3993726         |
| 001 | 13011-ZH7-004 | RING SET, PISTON (0.25) (NIPPON)  | (1)     | 3993726         |
| 001 | 13011-ZH7-004 | RING SET, PISTON (0.25) (NIPPON)  | (1)     | 3993726         |
| 001 | 13011-ZK7-V01 | RING SET, PISTON (0.25) (TEIKOKU) | (1)     | 3284617 3993725 |

| <u>Ref</u> | <u>Partnumber</u> | <u>Description</u>                 | <u>GX120K1</u> | <u>Serial Numbers</u> |
|------------|-------------------|------------------------------------|----------------|-----------------------|
| 001        | 13011-ZK7-V01     | RING SET, PISTON (0.25) (TEIKOKU)  | (1)            | 3993725               |
| 001        | 13011-ZK7-V02     | RING SET, PISTON (0.25) (NIPPON)   | (1)            | 3284617 3993725       |
| 001        | 13011-ZK7-V02     | RING SET, PISTON (0.25) (NIPPON)   | (1)            | 3993725               |
| 001        | 13012-ZH7-003     | RING SET, PISTON (0.50) (TEIKOKU)  | (1)            | 3993726               |
| 001        | 13012-ZH7-003     | RING SET, PISTON (0.50) (TEIKOKU)  | (1)            | 3993726               |
| 001        | 13012-ZH7-004     | RING SET, PISTON (0.50) (NIPPON)   | (1)            | 3993726               |
| 001        | 13012-ZH7-004     | RING SET, PISTON (0.50) (NIPPON)   | (1)            | 3993726               |
| 001        | 13012-ZK7-V01     | RING SET, PISTON (0.50) (TEIKOKU)  | (1)            | 3284617 3993725       |
| 001        | 13012-ZK7-V01     | RING SET, PISTON (0.50) (TEIKOKU)  | (1)            | 3993725               |
| 001        | 13012-ZK7-V02     | RING SET, PISTON (0.50) (NIPPON)   | (1)            | 3284617 3993725       |
| 001        | 13012-ZK7-V02     | RING SET, PISTON (0.50) (NIPPON)   | (1)            | 3993725               |
| 001        | 13013-ZH7-003     | RING SET, PISTON (0.75) (TEIKOKU)  | (1)            | 3993726               |
| 001        | 13013-ZH7-003     | RING SET, PISTON (0.75) (TEIKOKU)  | (1)            | 3993726               |
| 001        | 13013-ZH7-004     | RING SET, PISTON (0.75) (NIPPON)   | (1)            | 3993726               |
| 001        | 13013-ZH7-004     | RING SET, PISTON (0.75) (NIPPON)   | (1)            | 3993726               |
| 001        | 13013-ZK7-V01     | RING SET, PISTON (0.75) (TEIKOKU)  | (1)            | 3284617 3993725       |
| 001        | 13013-ZK7-V01     | RING SET, PISTON (0.75) (TEIKOKU)  | (1)            | 3993725               |
| 001        | 13013-ZK7-V02     | RING SET, PISTON (0.75) (NIPPON)   | (1)            | 3284617 3993725       |
| 001        | 13013-ZK7-V02     | RING SET, PISTON (0.75) (NIPPON)   | (1)            | 3993725               |
| 002        | 13101-ZH7-000     | PISTON (STD.)                      | 1              | 3993725               |
| 002        | 13101-ZH7-000     | PISTON (STD.)                      | 1              |                       |
| 002        | 13101-ZH7-010     | PISTON (STD.)                      | 1              | 3993726               |
| 002        | 13101-ZH7-010     | PISTON (STD.)                      | 1              | 3993726               |
| 002        | 13102-ZH7-000     | PISTON (0.25)                      | (1)            | 3993725               |
| 002        | 13102-ZH7-000     | PISTON (0.25)                      | (1)            | 3993725               |
| 002        | 13102-ZH7-010     | PISTON (0.25)                      | (1)            | 3993726               |
| 002        | 13102-ZH7-010     | PISTON (0.25)                      | (1)            | 3993726               |
| 002        | 13103-ZH7-000     | PISTON (0.50)                      | (1)            | 3993725               |
| 002        | 13103-ZH7-000     | PISTON (0.50)                      | (1)            | 3993725               |
| 002        | 13103-ZH7-010     | PISTON (0.50)                      | (1)            | 3993726               |
| 002        | 13103-ZH7-010     | PISTON (0.50)                      | (1)            | 3993726               |
| 002        | 13104-ZH7-000     | PISTON (0.75)                      | (1)            | 3993725               |
| 002        | 13104-ZH7-000     | PISTON (0.75)                      | (1)            | 3993725               |
| <u>Ref</u> | <u>Partnumber</u> | <u>Description</u>                 | <u>GX120K1</u> | <u>Serial Numbers</u> |
| 002        | 13104-ZH7-010     | PISTON (0.75)                      | (1)            | 3993726               |
| 002        | 13104-ZH7-010     | PISTON (0.75)                      | (1)            | 3993726               |
| 003        | 13111-ZE0-000     | PIN, PISTON                        | 1              |                       |
| 004        | 13200-ZE0-000     | ROD ASSY., CONNECTING              | 1              |                       |
| 004        | 132A0-ZE0-000     | ROD ASSY., CONNECTING (UNDER SIZE) | (1)            |                       |
| 005        | 90001-ZE1-000     | BOLT, CONNECTING ROD               | 2              |                       |
| 006        | 90551-ZE0-000     | CLIP, PISTON PIN, 13MM             | 2              |                       |



| <u>Ref</u> | <u>Partnumber</u> | <u>Description</u>         | <u>GX120K1</u> | <u>Serial Numbers</u> |
|------------|-------------------|----------------------------|----------------|-----------------------|
| 001        | 14100-ZE0-812     | CAMSHAFT ASSY.             | 1              |                       |
| 003        | 14410-ZE0-010     | ROD, PUSH                  | 2              |                       |
| 004        | 14431-ZE1-000     | ARM, VALVE ROCKER          | 2              |                       |
| 005        | 14441-ZE1-010     | LIFTER, VALVE              | 2              | 2828019               |
| 005        | 14441-ZE1-010     | LIFTER, VALVE              | 2              |                       |
| 006        | 14451-ZE1-013     | PIVOT, ROCKER ARM          | 2              |                       |
| 006        | 14451-ZE1-013     | PIVOT, ROCKER ARM          | 2              |                       |
| 008        | 14568-ZE1-000     | SPRING, WEIGHT RETURN      | 1              |                       |
| 010        | 14711-ZF0-000     | VALVE, IN.                 | 1              |                       |
| 011        | 14721-ZF0-000     | VALVE, EX.                 | (1)            |                       |
| 011        | 14721-ZF0-000     | VALVE, EX.                 | 1              |                       |
| 012        | 14751-ZF1-000     | SPRING, VALVE              | 2              |                       |
| 013        | 14771-ZE1-000     | RETAINER, IN. VALVE SPRING | 1              |                       |
| <u>Ref</u> | <u>Partnumber</u> | <u>Description</u>         | <u>GX120K1</u> | <u>Serial Numbers</u> |
| 014        | 14773-ZE1-000     | RETAINER, EX. VALVE SPRING | 1              |                       |
| 015        | 14781-ZE1-000     | ROTATOR, VALVE             | 1              |                       |
| 016        | 14791-ZE0-010     | PLATE, PUSH ROD GUIDE      | 1              |                       |
| 017        | 90012-ZE0-010     | BOLT, PIVOT, 8MM           | 2              |                       |
| 018        | 90206-ZE1-000     | NUT, PIVOT ADJUSTING       | 2              |                       |
| 021        | 12209-ZH8-003     | SEAL, VALVE STEM           | 1              |                       |
| 021        | 12209-ZH8-003     | SEAL, VALVE STEM           | 1              | 3993726               |