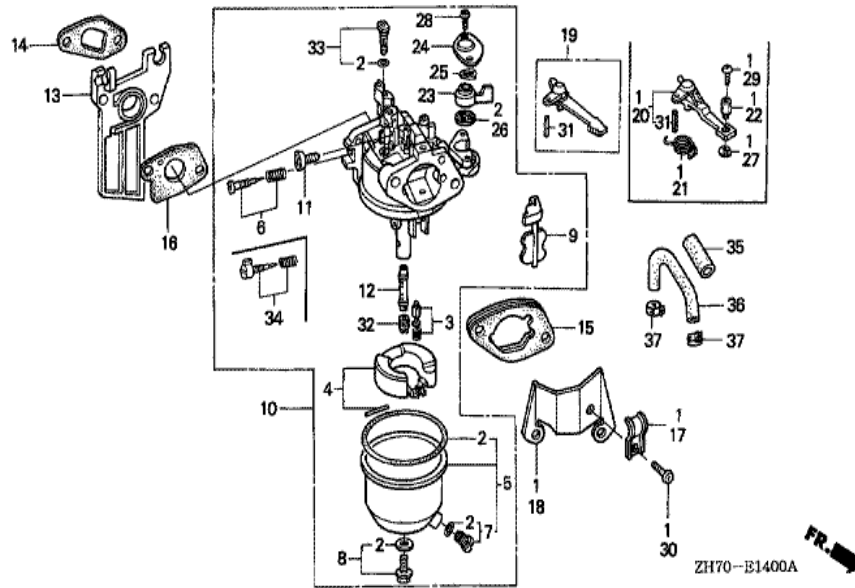




<u>Ref</u>	<u>Partnumber</u>	<u>Description</u>	<u>GX120K1</u>	<u>Serial Numbers</u>
001	28400-ZH8-013ZA	STARTER ASSY., RECOIL *R8 *	1	4142273
001	28400-ZH8-013ZA	STARTER ASSY., RECOIL *R8 *	(1)	
002	28410-ZH8-003ZA	CASE COMP., RECOIL STARTER *R8 *	1	4142273
002	28410-ZH8-003ZA	CASE COMP., RECOIL STARTER *R8 *	(1)	
003	28420-ZH8-003	REEL, RECOIL STARTER (BLACK)	1	2169649
003	28420-ZH8-003	REEL, RECOIL STARTER (BLACK)	(1)	2169649
003	28420-ZH8-013	REEL, RECOIL STARTER (NATURAL)	1	2169650
003	28420-ZH8-013	REEL, RECOIL STARTER (NATURAL)	(1)	2169650
004	28422-ZH8-003	RATCHET, STARTER	2	2169649
004	28422-ZH8-003	RATCHET, STARTER	(2)	2169649
004	28422-ZH8-013	RATCHET, STARTER	2	2169650
004	28422-ZH8-013	RATCHET, STARTER	(2)	2169650
005	28433-ZH8-003	GUIDE, RATCHET	1	
<u>Ref</u>	<u>Partnumber</u>	<u>Description</u>	<u>GX120K1</u>	<u>Serial Numbers</u>
005	28433-ZH8-003	GUIDE, RATCHET	(1)	
006	28441-ZH8-003	SPRING, FRICTION	1	
006	28441-ZH8-003	SPRING, FRICTION	(1)	
007	28442-ZH8-003	SPRING, RECOIL STARTER	1	
007	28442-ZH8-003	SPRING, RECOIL STARTER	(1)	
008	28443-ZH8-003	SPRING, RETURN	2	
008	28443-ZH8-003	SPRING, RETURN	(2)	
009	28461-ZH8-003	GRIP, STARTER	1	
009	28461-ZH8-003	GRIP, STARTER	(1)	
010	28462-ZH8-003	ROPE, RECOIL STARTER	1	
010	28462-ZH8-003	ROPE, RECOIL STARTER	(1)	
011	28470-816-000	ROPE, STARTER	1	
011	28470-816-000	ROPE, STARTER	(1)	
012	90003-ZH8-003	SCREW, SETTING	1	
012	90003-ZH8-003	SCREW, SETTING	(1)	
013	95701-0600800	BOLT, FLANGE, 6X8	(3)	
013	95701-0600800	BOLT, FLANGE, 6X8	(3)	



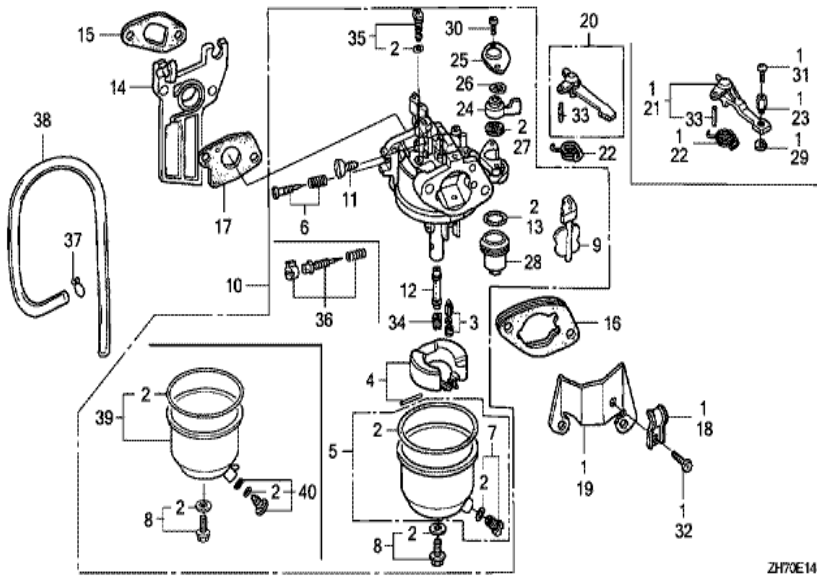
Ref	Partnumber	Description	GX120K1	Serial Numbers
001	11347-371-300	GROMMET, ADJUSTING COVER	1	
002	15520-ZE1-003	ALERT UNIT, OIL	1	2186369
002	15520-ZE1-003	ALERT UNIT, OIL	(1)	2186369
004	19610-ZE0-000ZA	COVER COMP., FAN *R8 *	1	4142673
004	19610-ZE0-000ZA	COVER COMP., FAN *R8 *	(1)	
005	19610-ZE0-810ZA	COVER COMP., FAN (OIL ALERT) *R8 *	1	2186369
005	19610-ZE0-810ZA	COVER COMP., FAN (OIL ALERT) *R8 *	(1)	2186369
006	19612-ZH7-000	PLATE, SIDE (STD.)	(1)	
006	19612-ZH7-000	PLATE, SIDE (STD.)	(1)	
006	19612-ZH7-810	PLATE, SIDE (OIL ALERT)	1	3084882
006	19612-ZH7-810	PLATE, SIDE (OIL ALERT)	(1)	
007	19612-ZH7-820	PLATE, SIDE (LAMP)	(1)	
007	19612-ZH7-820	PLATE, SIDE (LAMP)	(1)	
<u>Ref</u>	<u>Partnumber</u>	<u>Description</u>	<u>GX120K1</u>	<u>Serial Numbers</u>
007	19612-ZH7-830	PLATE, SIDE (ALERT & LAMP)	1	3084882
007	19612-ZH7-830	PLATE, SIDE (ALERT & LAMP)	(1)	
008	19613-ZE1-000	CLAMPER, CORD	1	
008	19613-ZE1-000	CLAMPER, CORD	(1)	
009	19630-ZH7-000	SHROUD COMP.	1	
010	32197-ZH8-003	SUB HARNESS	1	
010	32197-ZH8-003	SUB HARNESS	1	2186370
011	36100-ZE1-015	SWITCH ASSY., ENGINE STOP	1	2867760
011	36100-ZE1-015	SWITCH ASSY., ENGINE STOP	(1)	
012	36101-ZE1-010	CORD, STOP SWITCH (370MM)	1	
014	90013-883-000	BOLT, FLANGE, 6X12 (CT200)	4	
014	90013-883-000	BOLT, FLANGE, 6X12 (CT200)	6	
015	90022-888-010	BOLT, FLANGE, 6X20 (CT200)	1	
016	95701-0600800	BOLT, FLANGE, 6X8	2	2186369
016	95701-0600800	BOLT, FLANGE, 6X8	(2)	2186369
019	36103-ZE1-000	HOLDER, STOP SWITCH CORD	2	



Ref	Partnumber	Description	GX120K1	Serial Numbers
001	06164-ZE0-000	CHOKE KIT, REMOTE CONTROL	(1)	
002	16010-ZE0-025	GASKET SET	(1)	
002	16010-ZE0-025	GASKET SET	1	
002	16010-ZE0-025	GASKET SET	(1)	
003	16011-ZE0-005	VALVE SET, FLOAT	1	
003	16011-ZE0-005	VALVE SET, FLOAT	(1)	
004	16013-ZE0-005	FLOAT SET	1	
004	16013-ZE0-005	FLOAT SET	(1)	
005	16015-ZE1-811	CHAMBER SET, FLOAT	1	BE12B B
005	16015-ZE1-811	CHAMBER SET, FLOAT	(1)	
006	16016-ZE0-005	SCREW SET, PILOT	1	
006	16016-ZE0-005	SCREW SET, PILOT	(1)	
007	16024-ZE1-811	SCREW SET, DRAIN	1	

<u>Ref</u>	<u>Partnumber</u>	<u>Description</u>	<u>GX120K1</u>	<u>Serial Numbers</u>
007	16024-ZE1-811	SCREW SET, DRAIN	(1)	
008	16028-ZE0-005	SCREW SET	1	
008	16028-ZE0-005	SCREW SET	(1)	
009	16044-ZE0-005	CHOKE SET	1	
009	16044-ZE0-005	CHOKE SET	(1)	BE12B B
010	16100-ZH7-810	CARBURETOR ASSY. (BE12B A)	1	2354502
010	16100-ZH7-810	CARBURETOR ASSY. (BE12B A)	(1)	2354502
010	16100-ZH7-811	CARBURETOR ASSY. (BE12B B)	(1)	2354503 2724424
010	16100-ZH7-811	CARBURETOR ASSY. (BE12B B)	(1)	2354503
011	16124-ZE0-005	SCREW, THROTTLE STOP	1	
011	16124-ZE0-005	SCREW, THROTTLE STOP	(1)	
012	16166-ZH7-820	NOZZLE, MAIN	1	BE12B A
012	16166-ZH7-820	NOZZLE, MAIN	(1)	BE12B A
012	16166-ZH7-W50	NOZZLE, MAIN	1	BE12B B
012	16166-ZH7-W50	NOZZLE, MAIN	1	BE12B B
012	16166-ZH7-W50	NOZZLE, MAIN	(1)	BE12B B
013	16211-ZE0-000	INSULATOR, CARBURETOR	1	
014	16212-ZH7-000	PACKING, INSULATOR	1	2272434
014	16212-ZH7-000	PACKING, INSULATOR	(1)	2272434
014	16212-ZH7-800	PACKING, INSULATOR	1	
014	16212-ZH7-800	PACKING, INSULATOR	(1)	2272435
015	16220-ZE1-020	SPACER COMP., CARBURETOR	1	
016	16221-ZE1-000	PACKING, CARBURETOR	1	2272434
016	16221-ZE1-000	PACKING, CARBURETOR	(1)	2272434
016	16221-ZH8-800	PACKING, CARBURETOR	1	2541043
016	16221-ZH8-800	PACKING, CARBURETOR	(1)	
017	16582-883-300	HOLDER, CONTROL CABLE	(1)	
018	16598-ZE0-000	STAY, CHOKE CONTROL	(1)	
019	16610-ZE1-000	LEVER COMP., CHOKE (STD.)	1	
019	16610-ZE1-000	LEVER COMP., CHOKE (STD.)	(1)	
020	16610-ZE1-810	LEVER COMP., CHOKE (REMOTE)	(1)	
021	16615-ZE1-010	SPRING, RETURN	(1)	
022	16617-890-010	HOLDER, CABLE	(1)	

<u>Ref</u>	<u>Partnumber</u>	<u>Description</u>	<u>GX120K1</u>	<u>Serial Numbers</u>
023	16953-ZE1-812	LEVER, COCK	1	
023	16953-ZE1-812	LEVER, COCK	(1)	
024	16954-ZE1-811	PLATE, LEVER SETTING	(1)	
025	16956-ZE1-811	SPRING, COCK LEVER	1	
025	16956-ZE1-811	SPRING, COCK LEVER	(1)	
026	16957-ZE1-812	PACKING, FUEL COCK	1	
026	16957-ZE1-812	PACKING, FUEL COCK	(1)	
027	90605-230-000	CIRCLIP, 5MM	(1)	
028	93500-030081G	SCREW, PAN, 3X8	(2)	BE12B B
028	93500-030081G	SCREW, PAN, 3X8	(2)	
029	93500-040080A	SCREW, PAN, 4X8	(1)	
030	93500-050080A	SCREW, PAN, 5X8	(1)	
031	94305-20122	PIN, SPRING, 2X12	1	
031	94305-20122	PIN, SPRING, 2X12	(1)	
032	99101-ZF50550	JET, MAIN, #55	(1)	
032	99101-ZF50580	JET, MAIN, #58	(1)	
032	99101-ZF50580	JET, MAIN, #58	(1)	
032	99101-ZF50600	JET, MAIN, #60	(1)	BE12B A
032	99101-ZF50600	JET, MAIN, #60	(1)	BE12B A
032	99101-ZH70600	JET, MAIN, #60	1	BE12B B
032	99101-ZH70600	JET, MAIN, #60	(1)	BE12B B
033	99204-ZE00350	JET SET, PILOT, #35	1	
033	99204-ZE00350	JET SET, PILOT, #35	(1)	



ZH70E1401B

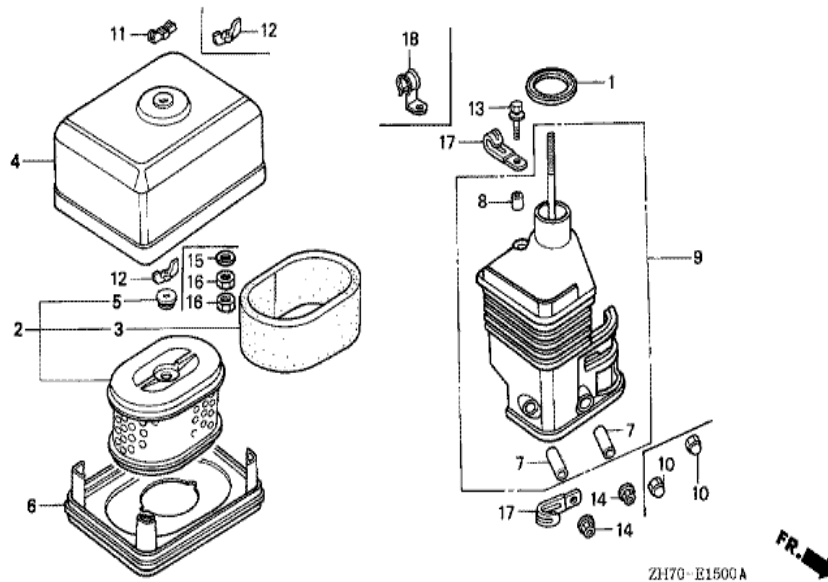


Ref	Partnumber	Description	GX120K1	Serial Numbers
001	06164-ZE0-000	CHOKE KIT, REMOTE CONTROL	(1)	
002	16010-ZE1-812	GASKET SET	(1)	
002	16010-ZE1-812	GASKET SET	(1)	
003	16011-ZE0-005	VALVE SET, FLOAT	1	
003	16011-ZE0-005	VALVE SET, FLOAT	(1)	
004	16013-ZE0-005	FLOAT SET	1	
004	16013-ZE0-005	FLOAT SET	(1)	
005	16015-ZE0-831	CHAMBER SET, FLOAT	1	BE12A B
005	16015-ZE0-831	CHAMBER SET, FLOAT	(1)	
005	16015-ZE0-831	CHAMBER SET, FLOAT	(1)	
005	16015-ZE0-831	CHAMBER SET, FLOAT	(1)	
005	16015-ZE0-831	CHAMBER SET, FLOAT	(1)	
005	16015-ZE1-811	CHAMBER SET, FLOAT	1	BE60B A

<u>Ref</u>	<u>Partnumber</u>	<u>Description</u>	<u>GX120K1</u>	<u>Serial Numbers</u>
005	16015-ZE1-811	CHAMBER SET, FLOAT	(1)	
005	16015-ZE1-811	CHAMBER SET, FLOAT	(1)	
005	16015-ZE1-811	CHAMBER SET, FLOAT	(1)	
006	16016-ZE0-005	SCREW SET, PILOT	1	
006	16016-ZE0-005	SCREW SET, PILOT	(1)	
007	16024-ZE1-811	SCREW SET, DRAIN	1	
007	16024-ZE1-811	SCREW SET, DRAIN	(1)	
008	16028-ZE0-005	SCREW SET	1	
008	16028-ZE0-005	SCREW SET	(1)	
009	16044-ZE0-005	CHOKE SET	1	
009	16044-ZE0-005	CHOKE SET	(1)	BE12A B
010	16100-ZH7-800	CARBURETOR ASSY. (BE13A A)	1	2724424
010	16100-ZH7-800	CARBURETOR ASSY. (BE13A A)	(1)	
010	16100-ZH7-820	CARBURETOR ASSY. (BE12A A)	1	2354880
010	16100-ZH7-820	CARBURETOR ASSY. (BE12A A)	(1)	2354880
010	16100-ZH7-821	CARBURETOR ASSY. (BE12A B)	1	2354881 2724891
010	16100-ZH7-821	CARBURETOR ASSY. (BE12A B)	(1)	2354881
010	16100-ZH7-830	CARBURETOR ASSY. (BE12C A)	(1)	2743606
010	16100-ZH7-830	CARBURETOR ASSY. (BE12C A)	(1)	
011	16124-ZE0-005	SCREW, THROTTLE STOP	1	
011	16124-ZE0-005	SCREW, THROTTLE STOP	(1)	
012	16166-ZH7-800	NOZZLE, MAIN	1	
012	16166-ZH7-800	NOZZLE, MAIN	(1)	
012	16166-ZH7-820	NOZZLE, MAIN	1	BE12A A
012	16166-ZH7-820	NOZZLE, MAIN	(1)	
012	16166-ZH7-W50	NOZZLE, MAIN	1	BE12A B
012	16166-ZH7-W50	NOZZLE, MAIN	(1)	BE12A B
013	16173-001-004	PACKING, FUEL STRAINER CUP	1	
013	16173-001-004	PACKING, FUEL STRAINER CUP	(1)	
014	16211-ZE0-000	INSULATOR, CARBURETOR	1	
015	16212-ZH7-000	PACKING, INSULATOR	1	2272434
015	16212-ZH7-000	PACKING, INSULATOR	(1)	2272434
015	16212-ZH7-800	PACKING, INSULATOR	1	

<u>Ref</u>	<u>Partnumber</u>	<u>Description</u>	<u>GX120K1</u>	<u>Serial Numbers</u>
015	16212-ZH7-800	PACKING, INSULATOR	(1)	2272435
016	16220-ZE1-020	SPACER COMP., CARBURETOR	1	
016	16220-ZE1-020	SPACER COMP., CARBURETOR	1	
017	16221-ZE1-000	PACKING, CARBURETOR	1	
017	16221-ZE1-000	PACKING, CARBURETOR	(1)	2272434
017	16221-ZH8-800	PACKING, CARBURETOR	(1)	2533057
017	16221-ZH8-800	PACKING, CARBURETOR	(1)	
018	16582-883-300	HOLDER, CONTROL CABLE	1	
018	16582-883-300	HOLDER, CONTROL CABLE	(1)	
019	16598-ZE0-000	STAY, CHOKE CONTROL	(1)	
020	16610-ZE1-000	LEVER COMP., CHOKE (STD.)	(1)	
020	16610-ZE1-000	LEVER COMP., CHOKE (STD.)	(1)	
021	16610-ZE1-810	LEVER COMP., CHOKE (REMOTE)	1	
021	16610-ZE1-810	LEVER COMP., CHOKE (REMOTE)	(1)	
022	16615-ZE1-010	SPRING, RETURN	1	
022	16615-ZE1-010	SPRING, RETURN	(1)	
023	16617-890-010	HOLDER, CABLE	1	
023	16617-890-010	HOLDER, CABLE	(1)	
024	16953-ZE1-812	LEVER, COCK	1	
024	16953-ZE1-812	LEVER, COCK	(1)	
025	16954-ZE1-811	PLATE, LEVER SETTING	1	BE12A B
025	16954-ZE1-811	PLATE, LEVER SETTING	(1)	
025	16954-ZE1-812	PLATE, LEVER SETTING	1	BE12A C
025	16954-ZE1-812	PLATE, LEVER SETTING	(1)	
026	16956-ZE1-811	SPRING, COCK LEVER	1	
026	16956-ZE1-811	SPRING, COCK LEVER	(1)	
027	16957-ZE1-812	PACKING, FUEL COCK	1	
027	16957-ZE1-812	PACKING, FUEL COCK	(1)	
028	16967-ZE0-811	CUP, FUEL STRAINER	1	
028	16967-ZE0-811	CUP, FUEL STRAINER	(1)	
029	90605-230-000	CIRCLIP, 5MM	1	
029	90605-230-000	CIRCLIP, 5MM	(1)	
030	93500-030081G	SCREW, PAN, 3X8	2	BE60B A

<u>Ref</u>	<u>Partnumber</u>	<u>Description</u>	<u>GX120K1</u>	<u>Serial Numbers</u>	
030	93500-030081G	SCREW, PAN, 3X8	(2)		
031	93500-040080A	SCREW, PAN, 4X8	1		
031	93500-040080A	SCREW, PAN, 4X8	(1)		
032	93500-050080A	SCREW, PAN, 5X8	1		
032	93500-050080A	SCREW, PAN, 5X8	(1)		
033	94305-20122	PIN, SPRING, 2X12	1		
033	94305-20122	PIN, SPRING, 2X12	(1)		
034	99101-ZF50550	JET, MAIN, #55	(1)		
034	99101-ZF50580	JET, MAIN, #58	(1)		
034	99101-ZF50580	JET, MAIN, #58	(1)		
034	99101-ZF50600	JET, MAIN, #60	1		BE12A A
034	99101-ZF50600	JET, MAIN, #60	1		BE12A A
034	99101-ZF50620	JET, MAIN, #62	(1)		
034	99101-ZF50620	JET, MAIN, #62	(1)		
034	99101-ZH70600	JET, MAIN, #60	1	BE12A B	BE12A C
034	99101-ZH70600	JET, MAIN, #60	1	BE12A B	
034	99101-ZH80550	JET, MAIN, #55	(1)		
034	99101-ZH80550	JET, MAIN, #55	(1)		
034	99101-ZH80580	JET, MAIN, #58	(1)		
034	99101-ZH80580	JET, MAIN, #58	(1)		
034	99101-ZH80600	JET, MAIN, #60	1	BE12A B	
034	99101-ZH80600	JET, MAIN, #60	1		
035	99204-ZE00350	JET SET, PILOT, #35	1		
035	99204-ZE00350	JET SET, PILOT, #35	(1)		

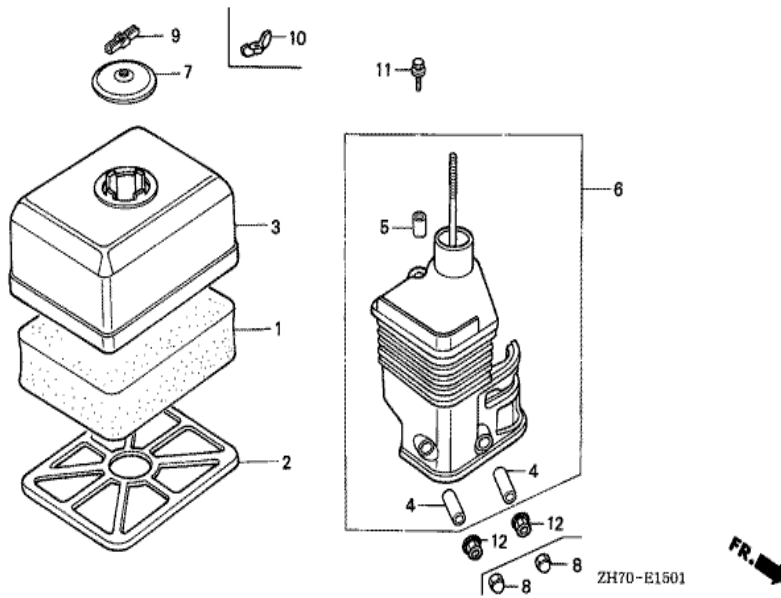


ZH70-E1500A

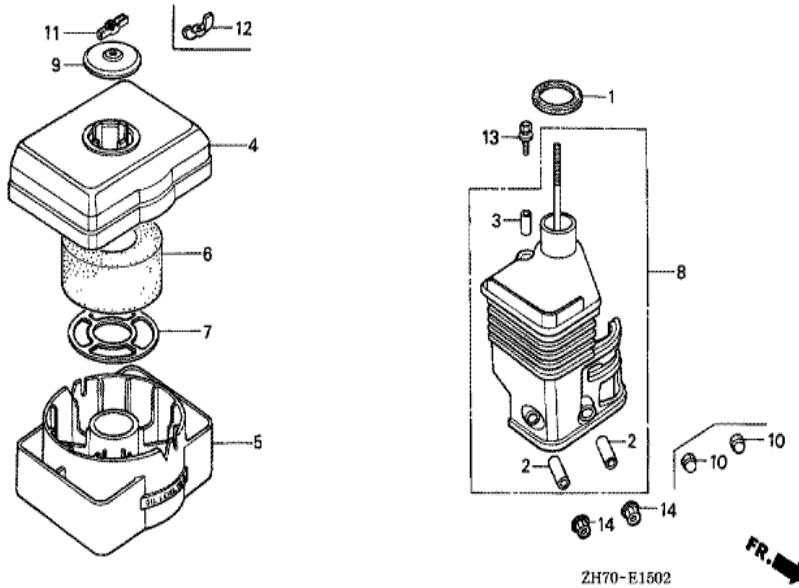


Ref	Partnumber	Description	GX120K1	Serial Numbers
001	16271-ZE1-000	PACKING, ELBOW	1	
001	16271-ZE1-000	PACKING, ELBOW	(1)	
002	17210-ZE0-822	ELEMENT, AIR CLEANER (DUAL)	1	
002	17210-ZE0-822	ELEMENT, AIR CLEANER (DUAL)	(1)	
003	17218-ZE0-821	FILTER, OUTER	1	
003	17218-ZE0-821	FILTER, OUTER	(1)	
004	17230-ZE0-820	COVER, AIR CLEANER (DUAL)	1	
004	17230-ZE0-820	COVER, AIR CLEANER (DUAL)	(1)	
005	17232-891-000	GROMMET, AIR CLEANER	1	
005	17232-891-000	GROMMET, AIR CLEANER	(1)	
006	17235-ZE1-830	NOSE, SILENCER	1	2535087
006	17235-ZE1-830	NOSE, SILENCER	(1)	
007	17238-ZE0-010	COLLAR, AIR CLEANER	2	

<u>Ref</u>	<u>Partnumber</u>	<u>Description</u>	<u>GX120K1</u>	<u>Serial Numbers</u>
007	17238-ZE0-010	COLLAR, AIR CLEANER	(2)	
008	17239-ZE1-000	COLLAR B, AIR CLEANER	1	
008	17239-ZE1-000	COLLAR B, AIR CLEANER	(1)	
009	17410-ZE0-030	ELBOW COMP., AIR CLEANER	1	
009	17410-ZE0-030	ELBOW COMP., AIR CLEANER	(1)	
010	90201-415-000	NUT, CAP, 6MM	2	
010	90201-415-000	NUT, CAP, 6MM	2	2299856
011	90203-PB2-000	NUT, AIR CLEANER COVER (DACRO COATING)	1	2185869
011	90203-PB2-000	NUT, AIR CLEANER COVER (DACRO COATING)	(1)	2185869
011	90203-ZA0-800	NUT, WING, 6MM (BLACK)	1	2185870 2336263
011	90203-ZA0-800	NUT, WING, 6MM (BLACK)	(1)	2185870 2336263
012	90325-044-000	NUT, TOOL BOX SETTING	1	
012	90325-044-000	NUT, TOOL BOX SETTING	1	2329087
012	90325-044-000	NUT, TOOL BOX SETTING	(1)	2336263
012	90325-044-000	NUT, TOOL BOX SETTING	(2)	2336264
013	93494-0602008	BOLT-WASHER, 6X20	1	
013	93494-0602008	BOLT-WASHER, 6X20	1	
014	94050-06000	NUT, FLANGE, 6MM	2	
014	94050-06000	NUT, FLANGE, 6MM	2	2299857
015	94101-06800	WASHER, PLAIN, 6MM	1	
015	94101-06800	WASHER, PLAIN, 6MM	2	2299857



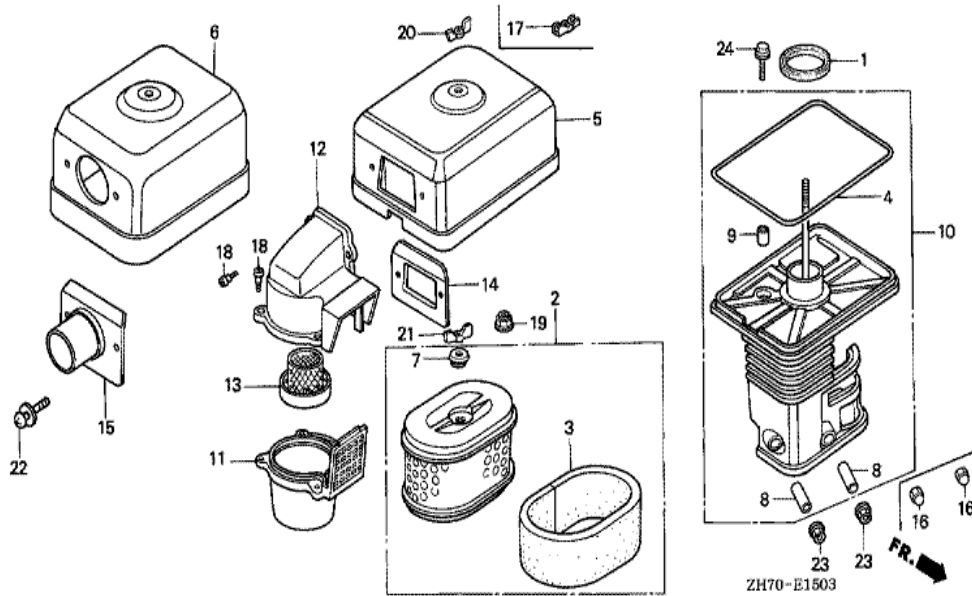
<u>Ref</u>	<u>Partnumber</u>	<u>Description</u>	<u>GX120K1</u>	<u>Serial Numbers</u>
001	17211-ZE1-000	ELEMENT, AIR CLEANER (SEMI DRY)	1	
001	17211-ZE1-000	ELEMENT, AIR CLEANER (SEMI DRY)	(1)	
002	17212-ZE1-000	GRID, AIR CLEANER (SEMI DRY)	1	
002	17212-ZE1-000	GRID, AIR CLEANER (SEMI DRY)	(1)	
003	17231-ZE0-000	COVER, AIR CLEANER (SEMI DRY)	1	
003	17231-ZE0-000	COVER, AIR CLEANER (SEMI DRY)	(1)	
004	17238-ZE0-010	COLLAR, AIR CLEANER	2	
004	17238-ZE0-010	COLLAR, AIR CLEANER	(2)	
005	17239-ZE1-000	COLLAR B, AIR CLEANER	1	
005	17239-ZE1-000	COLLAR B, AIR CLEANER	(1)	
006	17410-ZE0-030	ELBOW COMP., AIR CLEANER	1	
006	17410-ZE0-030	ELBOW COMP., AIR CLEANER	(1)	
006	17410-ZE0-811	ELBOW COMP., AIR CLEANER	(1)	
<u>Ref</u>	<u>Partnumber</u>	<u>Description</u>	<u>GX120K1</u>	<u>Serial Numbers</u>
006	17410-ZE0-811	ELBOW COMP., AIR CLEANER	(1)	
007	17421-ZE1-000	CAP, CLEANER	1	
007	17421-ZE1-000	CAP, CLEANER	(1)	
008	90201-415-000	NUT, CAP, 6MM	2	
008	90201-415-000	NUT, CAP, 6MM	2	2299856
009	90203-PB2-000	NUT, AIR CLEANER COVER (DACRO COATING)	1	2185869
009	90203-PB2-000	NUT, AIR CLEANER COVER (DACRO COATING)	(1)	2185869
009	90203-ZA0-800	NUT, WING, 6MM (BLACK)	1	2185870 2336263
009	90203-ZA0-800	NUT, WING, 6MM (BLACK)	(1)	2185870 2336263
010	90325-044-000	NUT, TOOL BOX SETTING	1	
010	90325-044-000	NUT, TOOL BOX SETTING	(1)	2336264
011	93494-0602008	BOLT-WASHER, 6X20	1	
011	93494-0602008	BOLT-WASHER, 6X20	1	
012	94050-06000	NUT, FLANGE, 6MM	2	
012	94050-06000	NUT, FLANGE, 6MM	2	2299857



ZH70-E1502

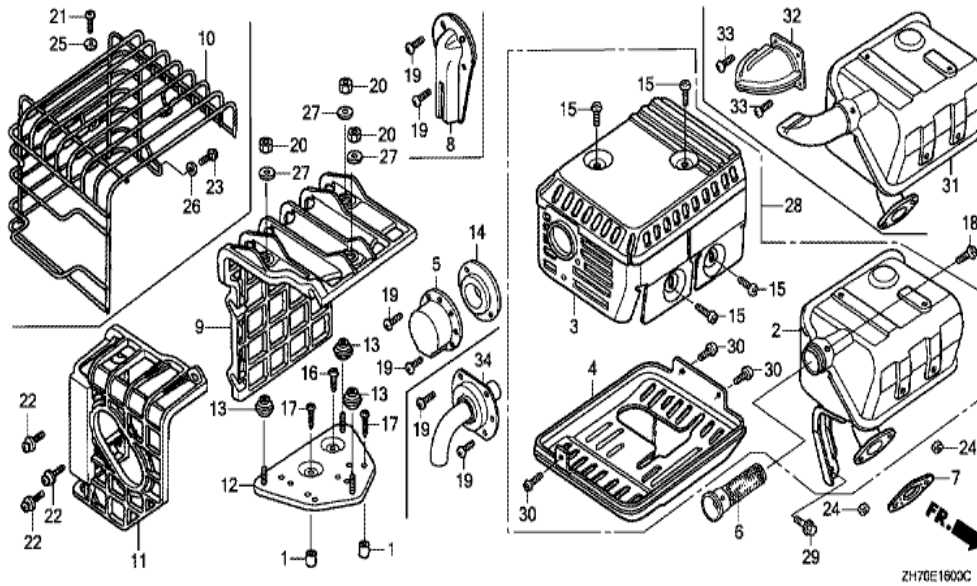


Ref	Partnumber	Description	GX120K1	Serial Numbers
001	16271-ZE1-000	PACKING, ELBOW	1	
001	16271-ZE1-000	PACKING, ELBOW	(1)	
002	17238-ZE0-010	COLLAR, AIR CLEANER	2	
002	17238-ZE0-010	COLLAR, AIR CLEANER	(2)	
003	17239-ZE1-000	COLLAR B, AIR CLEANER	1	
003	17239-ZE1-000	COLLAR B, AIR CLEANER	(1)	
004	17401-ZE1-810	BODY, CLEANER (OIL BATH)	1	
004	17401-ZE1-810	BODY, CLEANER (OIL BATH)	(1)	
005	17402-ZE1-810	PAN, CLEANER OIL (OIL BATH)	1	
005	17402-ZE1-810	PAN, CLEANER OIL (OIL BATH)	(1)	
006	17403-ZE1-810	ELEMENT, AIR CLEANER (OIL BATH)	1	
006	17403-ZE1-810	ELEMENT, AIR CLEANER (OIL BATH)	(1)	
007	17404-841-000	GRID, AIR CLEANER	1	
Ref	Partnumber	Description	GX120K1	Serial Numbers
007	17404-841-000	GRID, AIR CLEANER	(1)	
008	17410-ZE0-811	ELBOW COMP., AIR CLEANER	1	
008	17410-ZE0-811	ELBOW COMP., AIR CLEANER	(1)	
009	17421-ZE1-000	CAP, CLEANER	1	
009	17421-ZE1-000	CAP, CLEANER	(1)	
010	90201-415-000	NUT, CAP, 6MM	2	2299856
011	90203-PB2-000	NUT, AIR CLEANER COVER (DACRO COATING)	1	2185869
011	90203-PB2-000	NUT, AIR CLEANER COVER (DACRO COATING)	(1)	2185869
011	90203-ZA0-800	NUT, WING, 6MM (BLACK)	1	2185870 3228266
011	90203-ZA0-800	NUT, WING, 6MM (BLACK)	(1)	2185870 2336263
012	90325-044-000	NUT, TOOL BOX SETTING	1	
012	90325-044-000	NUT, TOOL BOX SETTING	(1)	2336264
013	93494-0602008	BOLT-WASHER, 6X20	1	
014	94050-06000	NUT, FLANGE, 6MM	2	
014	94050-06000	NUT, FLANGE, 6MM	2	2299857



Ref	Partnumber	Description	GX120K1	Serial Numbers
001	16271-ZE1-000	PACKING, ELBOW	1	
001	16271-ZE1-000	PACKING, ELBOW	(1)	
002	17210-ZE1-822	ELEMENT, AIR CLEANER (DUAL)	1	
002	17210-ZE1-822	ELEMENT, AIR CLEANER (DUAL)	(1)	
003	17218-ZE1-821	FILTER, OUTER	1	
003	17218-ZE1-821	FILTER, OUTER	(1)	
004	17219-733-010	PACKING, AIR CLEANER COVER	1	
004	17219-733-010	PACKING, AIR CLEANER COVER	(1)	
005	17230-ZE1-841	COVER, AIR CLEANER (CYCLONE)	1	
005	17230-ZE1-841	COVER, AIR CLEANER (CYCLONE)	(1)	
007	17232-891-000	GROMMET, AIR CLEANER	1	
007	17232-891-000	GROMMET, AIR CLEANER	(1)	
008	17238-ZE0-010	COLLAR, AIR CLEANER	2	

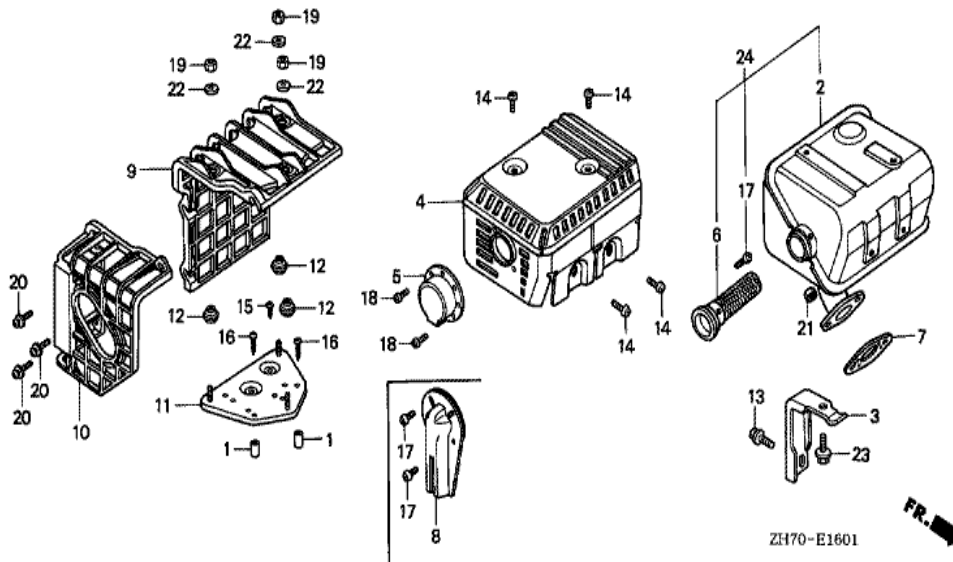
<u>Ref</u>	<u>Partnumber</u>	<u>Description</u>	<u>GX120K1</u>	<u>Serial Numbers</u>
008	17238-ZE0-010	COLLAR, AIR CLEANER	(2)	
009	17239-733-000	COLLAR B, AIR CLEANER	1	
009	17239-733-000	COLLAR B, AIR CLEANER	(1)	
010	17410-ZE0-840	ELBOW COMP., AIR CLEANER	1	
010	17410-ZE0-840	ELBOW COMP., AIR CLEANER	(1)	
011	17470-ZE1-841	CASE, PRE AIR CLEANER	(1)	
012	17475-ZE1-841	CAP, PRE AIR CLEANER	1	
012	17475-ZE1-841	CAP, PRE AIR CLEANER	(1)	
013	17476-ZE1-841	GUIDE, PRE AIR CLEANER	1	
013	17476-ZE1-841	GUIDE, PRE AIR CLEANER	(1)	
014	17478-ZE1-841	PLATE, PRE AIR CLEANER	1	
014	17478-ZE1-841	PLATE, PRE AIR CLEANER	(1)	
016	90201-415-000	NUT, CAP, 6MM	2	2299856
017	90203-PB2-000	NUT, AIR CLEANER COVER (DACRO COATING)	1	2185869
017	90203-PB2-000	NUT, AIR CLEANER COVER (DACRO COATING)	(1)	2185869
017	90203-ZA0-800	NUT, WING, 6MM (BLACK)	1	2185870 2329087
017	90203-ZA0-800	NUT, WING, 6MM (BLACK)	(1)	2185870 2336263
018	90300-GB0-900	BOLT, MUDGUARD	5	
018	90300-GB0-900	BOLT, MUDGUARD	(5)	
020	90325-044-000	NUT, TOOL BOX SETTING	1	
020	90325-044-000	NUT, TOOL BOX SETTING	(1)	2336264
021	90325-044-000	NUT, TOOL BOX SETTING	1	
021	90325-044-000	NUT, TOOL BOX SETTING	(1)	
023	94050-06000	NUT, FLANGE, 6MM	2	
023	94050-06000	NUT, FLANGE, 6MM	2	2299857
024	95700-0602000	BOLT, FLANGE, 6X20	1	
024	95700-0602000	BOLT, FLANGE, 6X20	(1)	
024	95701-0602000	BOLT, FLANGE, 6X20	(1)	
024	95701-0602000	BOLT, FLANGE, 6X20	(1)	



ZH70E1800C

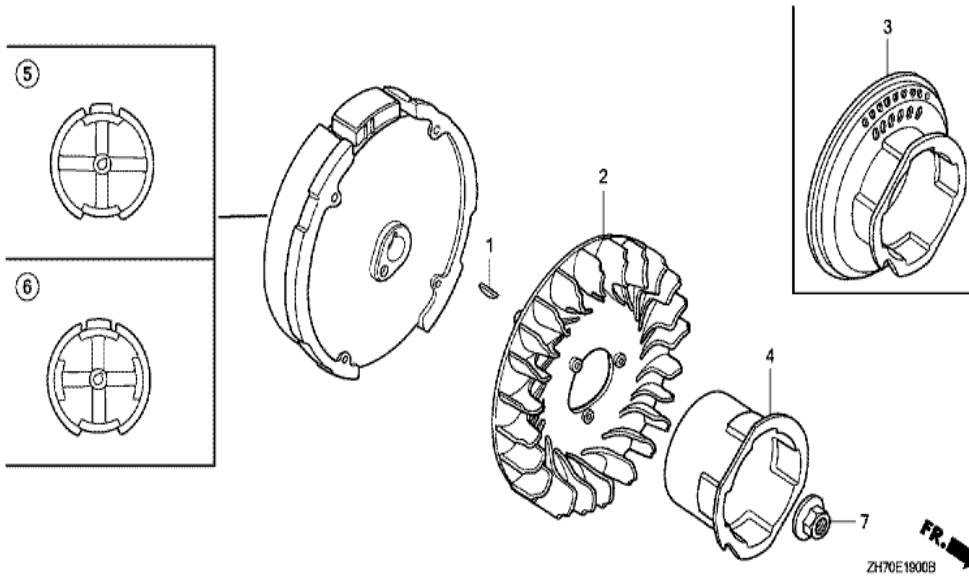
Ref	Partnumber	Description	GX120K1	Serial Numbers	
002	18310-ZF1-000	MUFFLER COMP. (STD.)	(1)		
002	18310-ZF1-000	MUFFLER COMP. (STD.)	(1)		
002	18310-ZH8-810	MUFFLER COMP. (ARRESTER)	1		
002	18310-ZH8-810	MUFFLER COMP. (ARRESTER)	(1)		
003	18320-ZF1-H00	PROTECTOR, MUFFLER (STD.)	1	2029905	2470940
003	18320-ZF1-H00	PROTECTOR, MUFFLER (STD.)	(1)	2029905	
003	18321-ZH8-000	PROTECTOR, UPPER	(1)		2029904
003	18321-ZH8-000	PROTECTOR, UPPER	(1)		2029904
004	18325-ZE1-010	PROTECTOR, LOWER	1		
004	18325-ZE1-010	PROTECTOR, LOWER	(1)		
005	18340-ZE1-010	DEFLECTOR COMP.	1		
005	18340-ZE1-010	DEFLECTOR COMP.	(1)		
006	18355-ZE1-000	ARRESTER, SPARK	1		

<u>Ref</u>	<u>Partnumber</u>	<u>Description</u>	<u>GX120K1</u>	<u>Serial Numbers</u>
006	18355-ZE1-000	ARRESTER, SPARK	(1)	
007	18381-ZH8-000	GASKET, MUFFLER	1	2157159
007	18381-ZH8-000	GASKET, MUFFLER	(1)	2157159
007	18381-ZH8-800	GASKET, MUFFLER	1	2157160
007	18381-ZH8-800	GASKET, MUFFLER	(1)	2157160
014	18522-ZE1-000	GUIDE, MUFFLER	1	
014	18522-ZE1-000	GUIDE, MUFFLER	(1)	
015	90050-ZE1-000	SCREW, TAPPING, 5X8	4	
015	90050-ZE1-000	SCREW, TAPPING, 5X8	(4)	
018	90055-ZE1-000	SCREW, TAPPING, 4X6	1	
018	90055-ZE1-000	SCREW, TAPPING, 4X6	(1)	
019	90002-ZG0-003	SCREW, TAPPING, 4X8	2	2249341
019	90002-ZG0-003	SCREW, TAPPING, 4X8	(2)	2288496
019	90055-ZE1-000	SCREW, TAPPING, 4X6	2	
019	90055-ZE1-000	SCREW, TAPPING, 4X6	(2)	2288495
024	94001-080000S	NUT, HEX., 8MM	2	
024	94001-080000S	NUT, HEX., 8MM	2	
030	90055-ZE1-000	SCREW, TAPPING, 4X6	1	3904653
030	90055-ZE1-000	SCREW, TAPPING, 4X6	(3)	

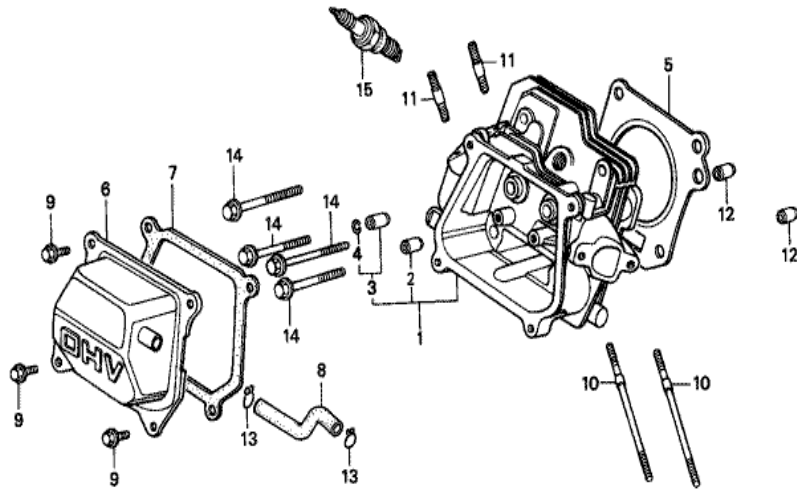


Ref	Partnumber	Description	GX120K1	Serial Numbers	
002	18310-ZE1-821	MUFFLER COMP. (SILENT)	1		
002	18310-ZE1-821	MUFFLER COMP. (SILENT)	(1)		
003	18315-ZE1-000	STAY, MUFFLER	1		
003	18315-ZE1-000	STAY, MUFFLER	(1)		
004	18320-ZF1-H50	PROTECTOR, MUFFLER (SILENT)	1	2030019	2504429
004	18320-ZF1-H50	PROTECTOR, MUFFLER (SILENT)	(1)	2030019	
004	18321-ZH8-820	PROTECTOR, MUFFLER OUTER (SILENT)	(1)		2030018
004	18321-ZH8-820	PROTECTOR, MUFFLER OUTER (SILENT)	(1)		2030018
005	18331-883-810	CAP, MUFFLER	1		
005	18331-883-810	CAP, MUFFLER	(1)		
006	18355-ZE1-810	ARRESTER, SPARK (SILENT)	1		
006	18355-ZE1-810	ARRESTER, SPARK (SILENT)	(1)		
007	18381-ZH8-800	GASKET, MUFFLER	1		
<u>Ref</u>	<u>Partnumber</u>	<u>Description</u>	<u>GX120K1</u>	<u>Serial Numbers</u>	
007	18381-ZH8-800	GASKET, MUFFLER	(1)		
013	90016-ZE1-000	BOLT, FLANGE, 6X13 (CT200)	1		
013	90016-ZE1-000	BOLT, FLANGE, 6X13 (CT200)	(1)		
014	90050-ZE1-000	SCREW, TAPPING, 5X8	4		
014	90050-ZE1-000	SCREW, TAPPING, 5X8	(4)		
017	90055-ZE1-000	SCREW, TAPPING, 4X6	1		
017	90055-ZE1-000	SCREW, TAPPING, 4X6	(1)		
018	90002-ZG0-003	SCREW, TAPPING, 4X8	(2)	2288496	
018	90002-ZG0-003	SCREW, TAPPING, 4X8	(2)	2288496	
018	90055-ZE1-000	SCREW, TAPPING, 4X6	2		3093870
018	90055-ZE1-000	SCREW, TAPPING, 4X6	(2)		2288495
021	94001-080000S	NUT, HEX., 8MM	2		
023	95900-0601200	BOLT, FLANGE, 6X12	1		2504429
023	95900-0601200	BOLT, FLANGE, 6X12	(1)		

<u>Ref</u>	<u>Partnumber</u>	<u>Description</u>	<u>GX120K1</u>	<u>Serial Numbers</u>	
016	17631-ZH7-003	PACKING, FUEL FILLER CAP (39X58X3)	1	2421923	4203082
016	17631-ZH7-003	PACKING, FUEL FILLER CAP (39X58X3)	(1)	2421923	
017	17672-ZE2-W00	FILTER, FUEL	1		1287119
017	17672-ZE2-W00	FILTER, FUEL	(1)		2187119
017	17672-ZE2-W01	FILTER, FUEL	1	2328483	
017	17672-ZE2-W01	FILTER, FUEL	(1)	2328483	
018	17672-880-000	FILTER, FUEL	1		2328482
018	17672-880-000	FILTER, FUEL	(1)	2187120	2328482
019	17673-893-000	HOLDER, FUEL FILTER	1		
019	17673-893-000	HOLDER, FUEL FILTER	(1)	2187120	2328482
024	91353-671-004	O-RING, 14MM (NOK)	1		
024	91353-671-004	O-RING, 14MM (NOK)	(1)		
025	94050-06000	NUT, FLANGE, 6MM	2		
025	94050-06000	NUT, FLANGE, 6MM	(2)		
031	95001-4514040	TUBE, FUEL, 4.5X140 (95001-45001-60M)	1		
031	95001-4514040	TUBE, FUEL, 4.5X140 (95001-45001-60M)	(1)		
032	95002-02080	CLIP, TUBE (B8)	1		
032	95002-02080	CLIP, TUBE (B8)	(2)		
035	95900-0602500	BOLT, FLANGE, 6X25	(1)		
035	95900-0602500	BOLT, FLANGE, 6X25	(1)		



Ref	Partnumber	Description	GX120K1	Serial Numbers
001	13331-357-000	KEY, SPECIAL WOODRUFF, 25X18	1	
002	19511-ZE0-000	FAN, COOLING	1	
003	28450-ZH7-811	PULLEY COMP., STARTER	1	
003	28450-ZH7-811	PULLEY COMP., STARTER	(1)	
004	28451-ZH8-003	PULLEY, STARTER	1	3917140
004	28451-ZH8-003	PULLEY, STARTER	(1)	
005	31100-ZE0-000	FLYWHEEL COMP.	(1)	
005	31100-ZE0-010	FLYWHEEL COMP.	(1)	
005	31100-ZE0-010	FLYWHEEL COMP.	(1)	
006	31100-ZE0-810	FLYWHEEL COMP. (LAMP)	(1)	
007	90201-878-003	NUT, SPECIAL, 14MM	1	

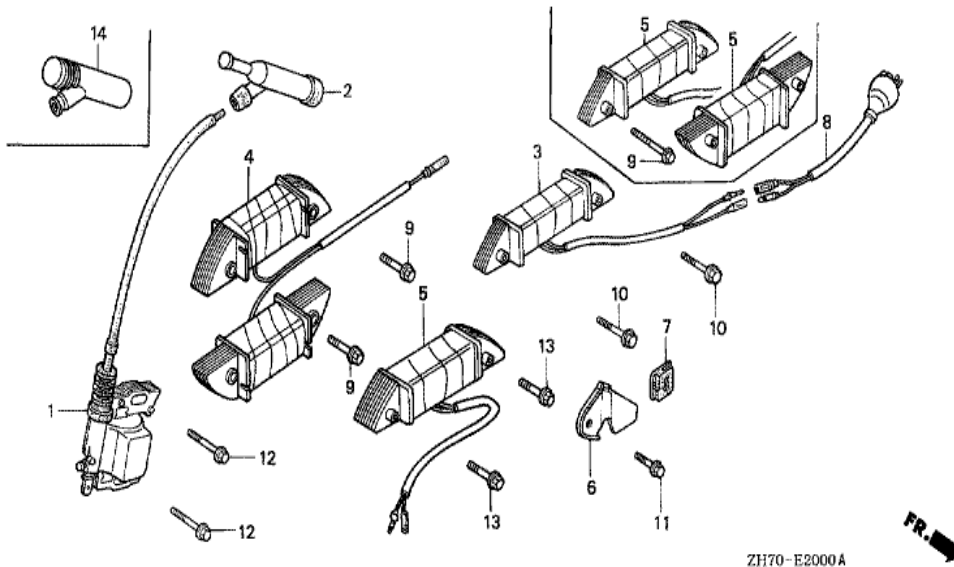


ZH70-B0200



Ref	Partnumber	Description	GX120K1	Serial Numbers
001	12210-ZH7-000	HEAD COMP., CYLINDER	1	
002	12204-ZE1-305	GUIDE, IN. VALVE (OS)	(1)	2156734
002	12204-ZE1-306	GUIDE, IN. VALVE (OS)	(1)	2156735
002	12204-ZE1-306	GUIDE, IN. VALVE (OS)	(1)	2156735
003	12205-ZE1-315	GUIDE, EX. VALVE (OS)	(1)	
004	12216-ZE5-300	CLIP, VALVE GUIDE	1	
005	12251-ZF0-000	GASKET, CYLINDER HEAD	1	
005	12251-ZF0-000	GASKET, CYLINDER HEAD	(1)	2157159
005	12251-ZH7-800	GASKET, CYLINDER HEAD	1	2157160
005	12251-ZH7-800	GASKET, CYLINDER HEAD	(1)	2157160
006	12310-ZE1-000	COVER COMP., HEAD	1	
006	12310-ZE1-000	COVER COMP., HEAD	1	2115473
006	12310-ZE1-000	COVER COMP., HEAD	(1)	2115474

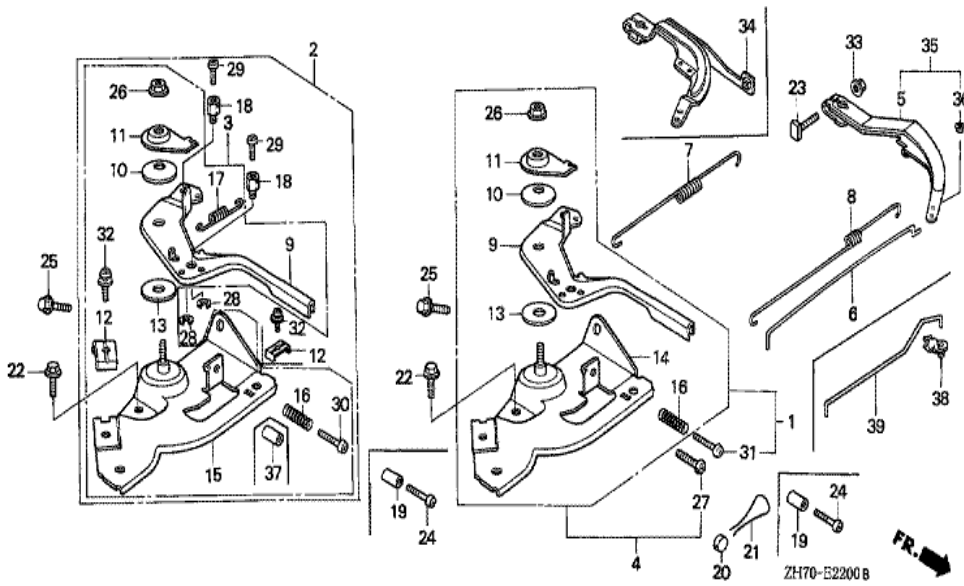
<u>Ref</u>	<u>Partnumber</u>	<u>Description</u>	<u>GX120K1</u>	<u>Serial Numbers</u>
006	12310-ZE1-840	COVER COMP., HEAD (BREATHING TUBE)	1	2575980
006	12310-ZE1-840	COVER COMP., HEAD (BREATHING TUBE)	(1)	2115474
007	12391-ZE1-000	PACKING, HEAD COVER	1	
008	15721-ZE1-840	TUBE, BREATHING	1	
008	15721-ZE1-840	TUBE, BREATHING	(1)	2115474
008	15721-ZH8-000	TUBE, BREATHING	1	
008	15721-ZH8-000	TUBE, BREATHING	1	2115473
009	90013-883-000	BOLT, FLANGE, 6X12 (CT200)	4	2299857
009	90016-ZE1-000	BOLT, FLANGE, 6X13 (CT200)	4	2299856
009	90016-ZE1-000	BOLT, FLANGE, 6X13 (CT200)	4	2299856
010	90043-ZE1-010	BOLT, STUD, 6X109	2	2400125
010	90043-ZE1-010	BOLT, STUD, 6X109	2	
011	90047-ZE1-000	BOLT, STUD, 8X32	2	
012	94301-10160	DOWEL PIN, 10X16	2	
013	95002-80000	CLIP, TUBE (C12)	2	
013	95002-80000	CLIP, TUBE (C12)	(2)	2115474
014	95723-0805500	BOLT, FLANGE, 8X55	4	
015	98079-55841	PLUG, SPARK (BP5ES) (NGK)	1	
015	98079-55841	PLUG, SPARK (BP5ES) (NGK)	(1)	
015	98079-55846	PLUG, SPARK (BPR5ES) (NGK)	(1)	
015	98079-55846	PLUG, SPARK (BPR5ES) (NGK)	(1)	
015	98079-55854	PLUG, SPARK (W16EP-U) (DENSO)	1	
015	98079-55854	PLUG, SPARK (W16EP-U) (DENSO)	(1)	
015	98079-55855	PLUG, SPARK (W16EPR-U) (DENSO)	(1)	
015	98079-55855	PLUG, SPARK (W16EPR-U) (DENSO)	(1)	
015	98079-56841	PLUG, SPARK (BP6ES) (NGK)	(1)	
015	98079-56841	PLUG, SPARK (BP6ES) (NGK)	(1)	
015	98079-56846	PLUG, SPARK (BPR6ES) (NGK)	1	3491425
015	98079-56846	PLUG, SPARK (BPR6ES) (NGK)	(1)	
015	98079-56854	PLUG, SPARK (W20EP-U) (DENSO)	1	3491424
015	98079-56854	PLUG, SPARK (W20EP-U) (DENSO)	(1)	
015	98079-56855	PLUG, SPARK (W20EPR-U) (DENSO)	(1)	
015	98079-56855	PLUG, SPARK (W20EPR-U) (DENSO)	1	3491425
<u>Ref</u>	<u>Partnumber</u>	<u>Description</u>	<u>GX120K1</u>	<u>Serial Numbers</u>
015	98079-56855	PLUG, SPARK (W20EPR-U) (DENSO)	(1)	



ZH70-E2000A

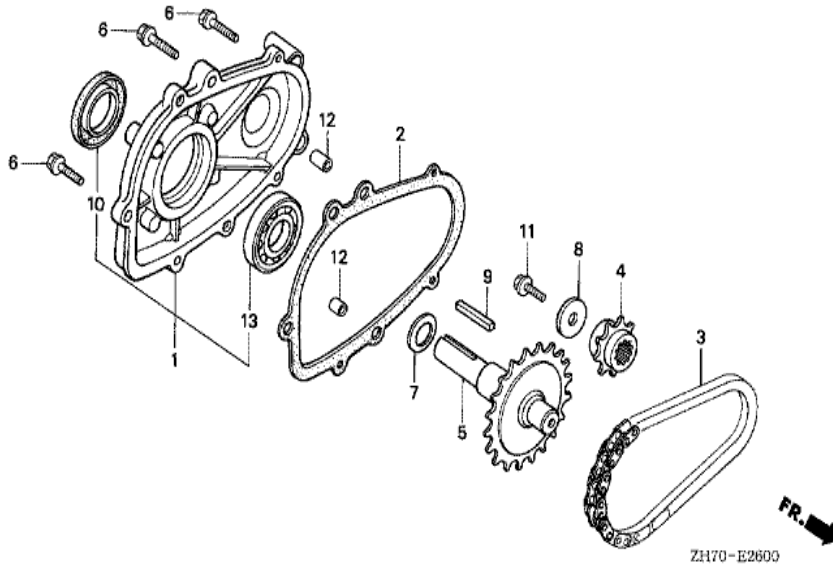


Ref	Partnumber	Description	GX120K1	Serial Numbers
001	30500-ZE1-023	COIL ASSY., IGNITION	1	2400125
001	30500-ZE1-023	COIL ASSY., IGNITION	(1)	
002	30600-ZE1-013	TERMINAL ASSY., HIGH TENSION (NICHIWA Y-	1	
002	30600-ZE1-013	TERMINAL ASSY., HIGH TENSION (NICHIWA Y-	(1)	
002	30700-ZE1-013	CAP ASSY., NOISE SUPPRESSOR (NICHIWA Y-E	1	3491425
002	30700-ZE1-013	CAP ASSY., NOISE SUPPRESSOR (NICHIWA Y-E	(1)	
003	31510-ZE1-003	COIL ASSY., LAMP (12V/15W)	(1)	
003	31510-ZE1-821	COIL ASSY., LAMP (6V/15W)	(1)	
003	31510-ZE1-821	COIL ASSY., LAMP (6V/15W)	(1)	
003	31610-ZH7-003	COIL ASSY., LAMP (12V/15W)	(1)	
003	31610-ZH7-003	COIL ASSY., LAMP (12V/15W)	(1)	
004	31510-ZE1-711	COIL ASSY., LAMP (12V/50W)	1	
004	31510-ZE1-711	COIL ASSY., LAMP (12V/50W)	(1)	
<u>Ref</u>	<u>Partnumber</u>	<u>Description</u>	<u>GX120K1</u>	<u>Serial Numbers</u>
005	31510-ZE1-811	COIL ASSY., LAMP (12V/25W)	1	
005	31510-ZE1-811	COIL ASSY., LAMP (12V/25W)	(1)	
005	31510-ZE1-831	COIL ASSY., LAMP (6V/25W)	(1)	
005	31510-ZE1-831	COIL ASSY., LAMP (6V/25W)	(1)	
006	31511-ZE1-000	CLAMPER, CORD	1	
006	31511-ZE1-000	CLAMPER, CORD	(1)	
007	31512-ZE1-000	GROMMET, CORD	1	
007	31512-ZE1-000	GROMMET, CORD	(1)	
008	32105-ZE1-000	CABLE, DOUBLE CONNECTOR	(1)	
009	90015-883-000	BOLT, FLANGE, 6X28 (CT200)	4	
009	90015-883-000	BOLT, FLANGE, 6X28 (CT200)	(4)	
010	90018-ZE1-000	BOLT, FLANGE, 6X23 (CT200)	(2)	
011	90019-883-000	BOLT, FLANGE, 5X10	1	
011	90019-883-000	BOLT, FLANGE, 5X10	(1)	
012	90121-952-000	BOLT, FLANGE, 6X25 (CT200)	2	
013	90015-883-000	BOLT, FLANGE, 6X28 (CT200)	2	
013	90015-883-000	BOLT, FLANGE, 6X28 (CT200)	(2)	

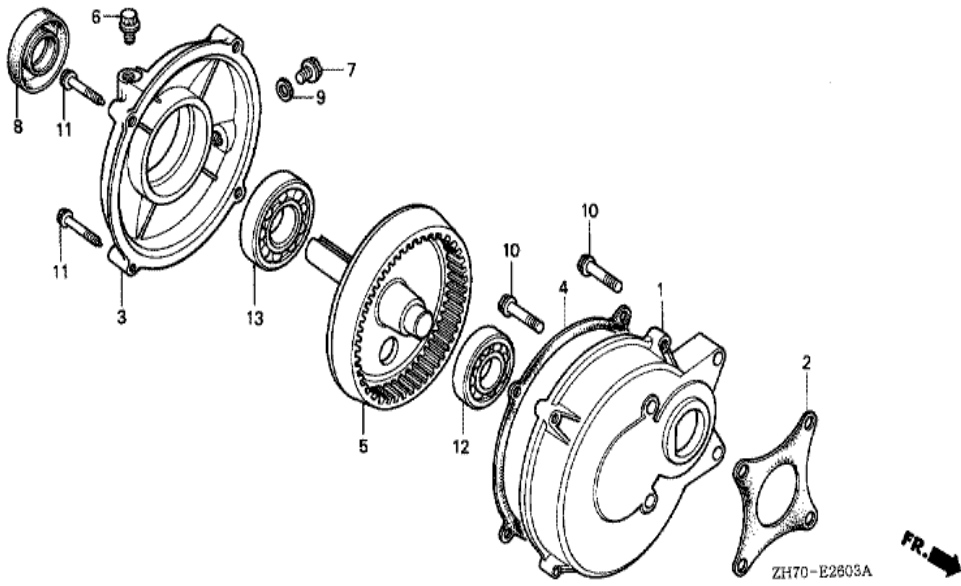


Ref	Partnumber	Description	GX120K1	Serial Numbers
001	16500-ZH7-000	CONTROL ASSY.	1	
001	16500-ZH7-000	CONTROL ASSY.	(1)	
001	16500-ZH7-860	CONTROL ASSY.	(1)	
001	16500-ZH7-860	CONTROL ASSY.	(1)	
002	16500-ZH7-810	CONTROL ASSY. (REMOTE)	1	2423947
002	16500-ZH7-810	CONTROL ASSY. (REMOTE)	(1)	
003	16500-ZH7-820	CONTROL ASSY. (REMOTE)	1	
003	16500-ZH7-820	CONTROL ASSY. (REMOTE)	(1)	
004	16500-ZH7-830	CONTROL ASSY. (LOCK TYPE)	(1)	
005	16551-ZE0-010	ARM, GOVERNOR	1	
006	16555-ZE0-000	ROD, GOVERNOR	1	
007	16561-ZE0-020	SPRING, GOVERNOR	1	
008	16562-ZE0-020	SPRING, THROTTLE RETURN	1	

<u>Ref</u>	<u>Partnumber</u>	<u>Description</u>	<u>GX120K1</u>	<u>Serial Numbers</u>
009	16571-ZH7-000	LEVER, CONTROL	(1)	
009	16571-ZH7-000	LEVER, CONTROL	(1)	
009	16571-ZH7-860	LEVER, CONTROL	(1)	
009	16571-ZH7-860	LEVER, CONTROL	(1)	
010	16574-ZE1-000	SPRING, LEVER	1	
010	16574-ZE1-000	SPRING, LEVER	(1)	
011	16575-ZH8-000	WASHER, CONTROL LEVER	1	
011	16575-ZH8-000	WASHER, CONTROL LEVER	(1)	
012	16576-891-000	HOLDER, CABLE	1	
012	16576-891-000	HOLDER, CABLE	(1)	
013	16578-ZE1-000	SPACER, CONTROL LEVER	1	
013	16578-ZE1-000	SPACER, CONTROL LEVER	(1)	
014	16580-ZH7-000	BASE COMP., CONTROL (###)	1	
014	16580-ZH7-000	BASE COMP., CONTROL (###)	(1)	
015	16580-ZH7-810	BASE COMP., CONTROL (###)	1	3303356
015	16580-ZH7-810	BASE COMP., CONTROL (###)	(1)	
016	16584-883-300	SPRING, CONTROL ADJUSTING	1	
016	16584-883-300	SPRING, CONTROL ADJUSTING	(1)	
017	16592-ZE1-810	SPRING, CABLE RETURN	1	
017	16592-ZE1-810	SPRING, CABLE RETURN	(1)	
018	16594-883-010	HOLDER, WIRE	1	
018	16594-883-010	HOLDER, WIRE	(1)	
020	16727-705-000	END, LOCK	1	3093871
020	16727-705-000	END, LOCK	(1)	
021	16729-705-010	WIRE, LOCK	1	3093871
021	16729-705-010	WIRE, LOCK	(1)	
022	90013-883-000	BOLT, FLANGE, 6X12 (CT200)	1	
023	90015-ZE5-010	BOLT, GOVERNOR ARM	1	
025	90022-888-010	BOLT, FLANGE, 6X20 (CT200)	1	
026	90114-SA0-000	NUT, SELF-LOCK, 6MM	1	
026	90114-SA0-000	NUT, SELF-LOCK, 6MM	(1)	
027	90121-ZE0-000	SCREW, LOCK PAN	1	3093871
027	90121-ZE0-000	SCREW, LOCK PAN	(1)	
<u>Ref</u>	<u>Partnumber</u>	<u>Description</u>	<u>GX120K1</u>	<u>Serial Numbers</u>
028	90605-230-000	CIRCLIP, 5MM	1	
028	90605-230-000	CIRCLIP, 5MM	(1)	
029	93500-040060H	SCREW, PAN, 4X6	1	
029	93500-040060H	SCREW, PAN, 4X6	(1)	
030	93500-050250H	SCREW, PAN, 5X25	(1)	
030	93500-050250H	SCREW, PAN, 5X25	(1)	
031	93500-050280A	SCREW, PAN, 5X28	(1)	2812716
031	93500-050280A	SCREW, PAN, 5X28	(1)	
032	93500-050160A	SCREW, PAN, 5X16	1	2308557
032	93500-050160A	SCREW, PAN, 5X16	(1)	2311705
032	93893-0501600	SCREW-WASHER, 5X16	1	2311704
032	93893-0501600	SCREW-WASHER, 5X16	(1)	2311704
033	94050-06000	NUT, FLANGE, 6MM	1	



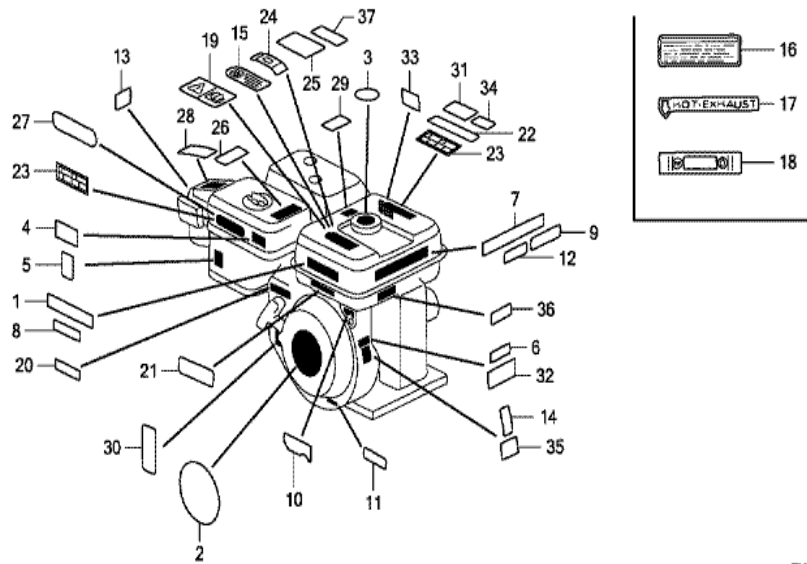
Ref	Partnumber	Description	GX120K1	Serial Numbers
002	11521-ZE1-610	PACKING, CHAIN CASE	1	2272434
002	11521-ZE1-610	PACKING, CHAIN CASE	(1)	2272434
002	11521-ZH8-800	PACKING, CHAIN CASE COVER	1	
002	11521-ZH8-800	PACKING, CHAIN CASE COVER	(1)	2272435



ZH70-E2803A

FR. →

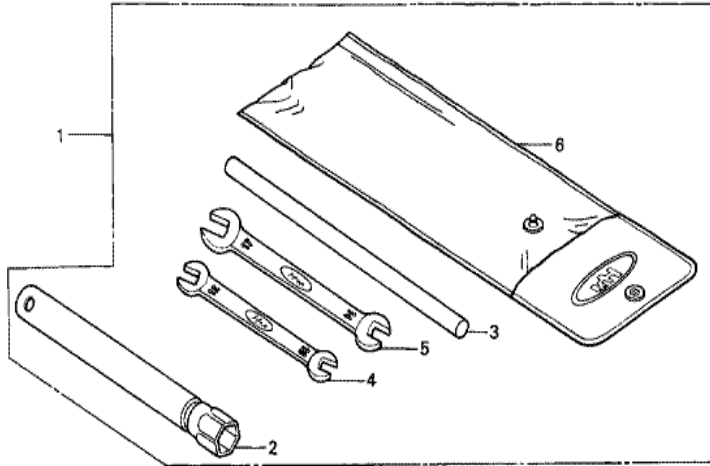
Ref	Partnumber	Description	GX120K1	Serial Numbers
002	21591-ZH8-740	PACKING, REDUCTION CASE	1	
002	21591-ZH8-740	PACKING, REDUCTION CASE	(1)	
004	21692-ZH8-800	PACKING, REDUCTION COVER	1	
004	21692-ZH8-800	PACKING, REDUCTION COVER	(1)	



ZH70E2800E

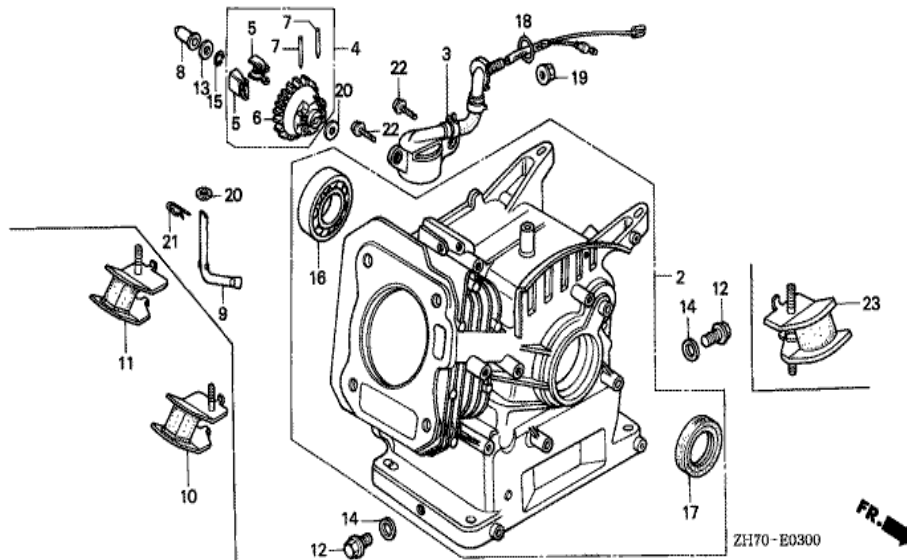
Ref	Partnumber	Description	GX120K1	Serial Numbers
001	87101-733-000	MARK, TOP	1	
001	87101-733-000	MARK, TOP	(1)	
001	87522-ZH9-000	LABEL, CAUTION (ENGLISH, ETC.)	(1)	
001	87522-ZH9-000	LABEL, CAUTION (ENGLISH, ETC.)	(1)	
001	87522-ZH9-820	LABEL, CAUTION (THAI)	1	4411054
001	87522-ZH9-820	LABEL, CAUTION (THAI)	(1)	
001	87525-ZH7-000	EMBLEM, UPPER (INTERNAL)	(1)	
001	87525-ZH7-000	EMBLEM, UPPER (INTERNAL)	(1)	
001	87525-ZH7-810	EMBLEM, UPPER (EXTERNAL)	(1)	
001	87525-ZH7-810	EMBLEM, UPPER (EXTERNAL)	(1)	
002	87521-ZH7-000	EMBLEM (INTERNAL)	1	2185869
002	87521-ZH7-000	EMBLEM (INTERNAL)	(1)	2185869
002	87521-ZH7-010	EMBLEM	1	2185870 3841370

<u>Ref</u>	<u>Partnumber</u>	<u>Description</u>	<u>GX120K1</u>	<u>Serial Numbers</u>
002	87521-ZH7-010	EMBLEM	(1)	2185870
002	87521-ZH7-810	EMBLEM (EXTERNAL)	(1)	2185869
002	87521-ZH7-810	EMBLEM (EXTERNAL)	(1)	2185869
002	87521-ZH7-830	EMBLEM (THAI)	(1)	2185869
002	87521-ZH7-830	EMBLEM (THAI)	(1)	2185869
002	87521-ZH7-831	EMBLEM (THAI)	1	2185870 3463997
002	87521-ZH7-831	EMBLEM (THAI)	(1)	2185870
003	87522-ZE1-010	LABEL, FUEL WARNING	1	2688781
003	87522-ZE1-010	LABEL, FUEL WARNING	(1)	2299936
003	87522-ZE1-810	MARK, CAUTION	1	2421922
003	87522-ZE1-810	MARK, CAUTION	(1)	2421922
004	87524-883-690	MARK, AIR CLEANER CAUTION (OIL BATH) (AR	1	
004	87524-883-690	MARK, AIR CLEANER CAUTION (OIL BATH) (AR	(1)	
005	87528-ZE1-000	MARK, CHOKE	1	2413831
005	87528-ZE1-000	MARK, CHOKE	(1)	2299936
005	87528-ZE1-690	MARK, CHOKE (THAI)	(1)	
005	87528-ZE1-690	MARK, CHOKE (THAI)	(1)	
005	87528-ZE1-810	MARK, CHOKE	(1)	
005	87528-ZE1-810	MARK, CHOKE	(1)	
006	87530-ZH7-000	LABEL, SPECIFICATION (INTERNAL)	1	4070274
006	87530-ZH7-000	LABEL, SPECIFICATION (INTERNAL)	(1)	
006	87530-ZH7-810	LABEL, SPECIFICATION (EXTERNAL)	1	2299936
006	87530-ZH7-810	LABEL, SPECIFICATION (EXTERNAL)	(1)	2299936
006	87530-ZH7-820	LABEL, SPECIFICATION (INTERNAL/L-TYPE)	(1)	
006	87530-ZH7-820	LABEL, SPECIFICATION (INTERNAL/L-TYPE)	(1)	
006	87530-ZH7-830	LABEL, SPECIFICATION (THAI)	(1)	2299936
006	87530-ZH7-830	LABEL, SPECIFICATION (THAI)	(1)	2299936
009	87532-ZB4-G60	MARK, OIL ALERT (GERMAN)	1	
009	87532-ZB4-G60	MARK, OIL ALERT (GERMAN)	(1)	2311047
009	87532-ZB4-H50	MARK, OIL ALERT (FRENCH)	1	2311047
009	87532-ZB4-H50	MARK, OIL ALERT (FRENCH)	(1)	2311047
010	87532-ZE1-000	MARK, OIL ALERT (INTERNAL)	(1)	2186369
010	87532-ZE1-810	MARK, OIL ALERT (EXTERNAL)	(1)	2186369
<u>Ref</u>	<u>Partnumber</u>	<u>Description</u>	<u>GX120K1</u>	<u>Serial Numbers</u>
010	87532-ZE1-810	MARK, OIL ALERT (EXTERNAL)	(1)	2186369
012	87532-ZH8-000	MARK, OIL ALERT	1	
012	87532-ZH8-000	MARK, OIL ALERT	1	2183670
012	87532-ZH8-810	MARK, OIL ALERT (ENGLISH)	1	2186370
012	87532-ZH8-810	MARK, OIL ALERT (ENGLISH)	1	2186370
013	87534-ZE1-000	LABEL, AIR CLEANER CAUTION	(1)	
013	87534-ZE1-841	LABEL, AIR CLEANER CAUTION	(1)	
013	87534-ZE1-841	LABEL, AIR CLEANER CAUTION	(1)	
014	87530-ZH7-000	LABEL, SPECIFICATION (INTERNAL)	1	
014	87530-ZH7-000	LABEL, SPECIFICATION (INTERNAL)	(1)	
014	87530-ZH7-810	LABEL, SPECIFICATION (EXTERNAL)	(1)	2299936
014	87530-ZH7-810	LABEL, SPECIFICATION (EXTERNAL)	(1)	2299936
014	87530-ZH7-820	LABEL, SPECIFICATION (INTERNAL/L-TYPE)	1	4077491
014	87530-ZH7-820	LABEL, SPECIFICATION (INTERNAL/L-TYPE)	(1)	

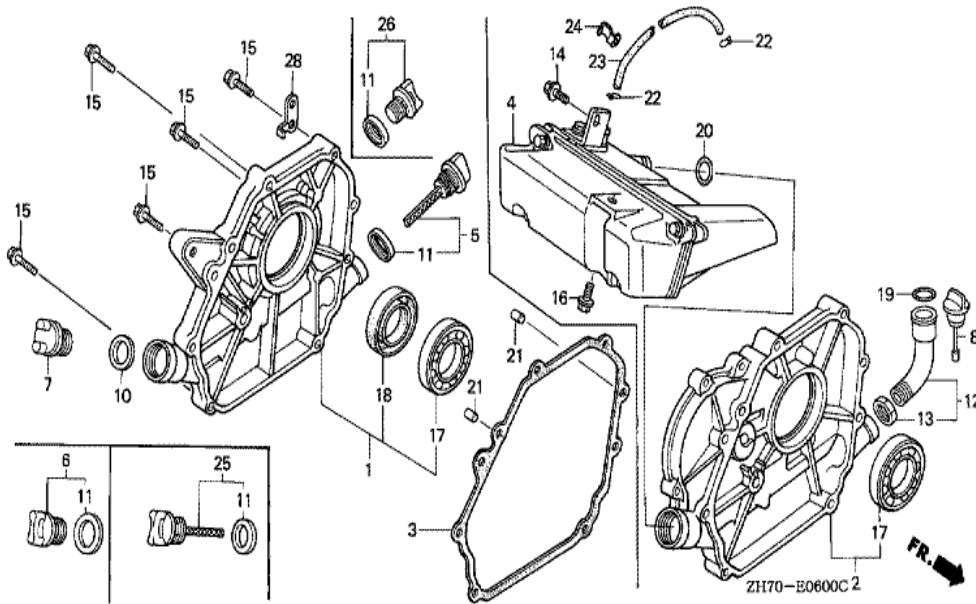


ZH70-E2900

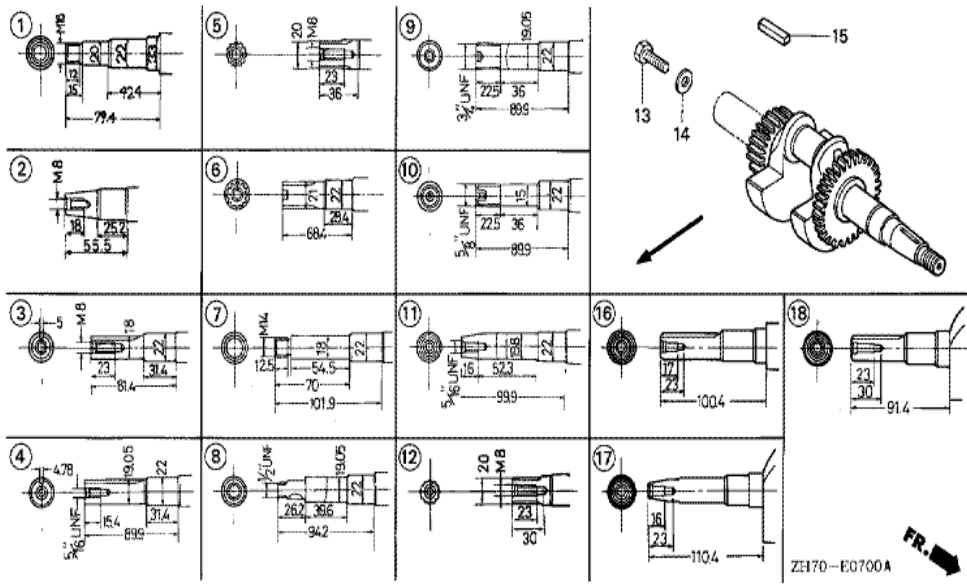
Ref	Partnumber	Description	GX120K1	Serial Numbers
001	89000-ZE1-000	TOOL KIT	(1)	
002	89218-ZE1-000	WRENCH COMP., SPARK PLUG	(1)	
003	89219-805-000	HANDLE, BOX WRENCH	(1)	
004	99001-10120	SPANNER, 10X12	(1)	
005	99001-14170	SPANNER, 14X17	(1)	
006	99008-02300	BAG, TOOL, 230MM	(1)	



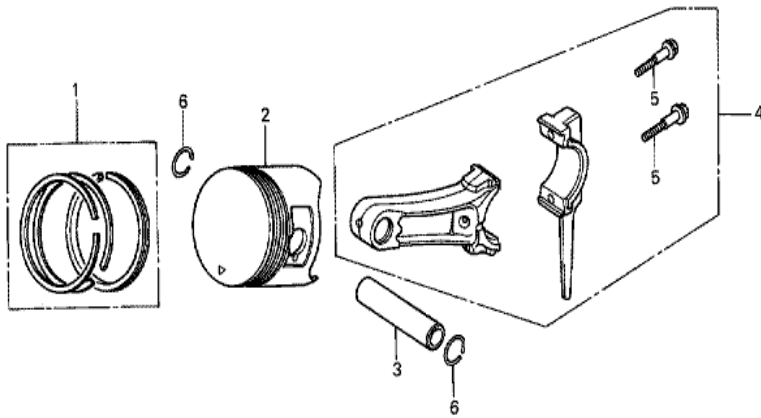
Ref	Partnumber	Description	GX120K1	Serial Numbers
002	12000-ZF0-405	BARREL ASSY., CYLINDER	1	
002	12000-ZF0-405	BARREL ASSY., CYLINDER	(1)	
002	12000-ZH7-405	BARREL ASSY., CYLINDER	(1)	
002	12000-ZH7-405	BARREL ASSY., CYLINDER	(1)	
003	15510-ZE1-003	SWITCH ASSY., OIL LEVEL	1	2186369
003	15510-ZE1-003	SWITCH ASSY., OIL LEVEL	(1)	2186369
003	15510-ZE1-013	SWITCH ASSY., OIL LEVEL	1	2186370 2867760
003	15510-ZE1-013	SWITCH ASSY., OIL LEVEL	(1)	2186370
004	16510-ZE1-000	GOVERNOR ASSY.	1	
005	16511-ZE1-000	WEIGHT, GOVERNOR	2	
006	16512-ZE1-000	HOLDER, GOVERNOR WEIGHT	1	
007	16513-ZE1-000	PIN, GOVERNOR WEIGHT	2	
008	16531-ZE1-000	SLIDER, GOVERNOR	1	
<u>Ref</u>	<u>Partnumber</u>	<u>Description</u>	<u>GX120K1</u>	<u>Serial Numbers</u>
009	16541-ZE1-000	SHAFT, GOVERNOR ARM	1	
012	90131-ZE1-000	BOLT, DRAIN PLUG	2	
013	90451-ZE1-000	WASHER, THRUST, 6MM	1	
013	90451-ZE1-000	WASHER, THRUST, 6MM	(1)	
014	90601-ZE1-000	WASHER, DRAIN PLUG, 10.2MM	2	
015	90602-ZE1-000	CLIP, GOVERNOR HOLDER	1	
016	91001-878-003	BEARING, RADIAL BALL,	1	
016	91001-878-003	BEARING, RADIAL BALL,	(1)	
017	91202-ZE6-003	OIL SEAL, 22X35X6	1	
017	91202-ZE6-003	OIL SEAL, 22X35X6	(1)	
018	91353-671-004	O-RING, 14MM (NOK)	1	
018	91353-671-004	O-RING, 14MM (NOK)	(1)	
019	94050-10000	NUT, FLANGE, 10MM	1	
019	94050-10000	NUT, FLANGE, 10MM	(1)	
020	94101-06800	WASHER, PLAIN, 6MM	2	
021	94251-08000	PIN, LOCK, 8MM	1	
022	95701-0601200	BOLT, FLANGE, 6X12	2	
022	95701-0601200	BOLT, FLANGE, 6X12	(2)	



<u>Ref</u>	<u>Partnumber</u>	<u>Description</u>	<u>GX120K1</u>	<u>Serial Numbers</u>
001	11300-ZE0-640	COVER ASSY., CRANKCASE	1	4228308
001	11300-ZE0-640	COVER ASSY., CRANKCASE	1	
003	11381-ZE0-000	PACKING, CASE COVER	1	
003	11381-ZE0-000	PACKING, CASE COVER	1	2272434
003	11381-ZH7-800	PACKING, CASE COVER	1	2272435
003	11381-ZH7-800	PACKING, CASE COVER	1	2272435
005	15600-ZE1-000	CAP ASSY., OIL FILLER (GRAY)	1	
007	15620-ZG4-910	CAP, OIL FILLER	1	
010	15621-896-010	PACKING, OIL FILLER CAP	1	
011	15625-ZE1-000	PACKING, OIL FILLER CAP	1	
015	90015-883-000	BOLT, FLANGE, 6X28 (CT200)	7	
017	91001-878-003	BEARING, RADIAL BALL,	1	
018	91203-ZE0-003	OIL SEAL, 22X41X6	1	
<u>Ref</u>	<u>Partnumber</u>	<u>Description</u>	<u>GX120K1</u>	<u>Serial Numbers</u>
021	94301-08140	DOWEL PIN, 8X14	2	



Ref	Partnumber	Description	GX120K1	Serial Numbers
008	13310-ZE0-641	CRANKSHAFT COMP.	1	

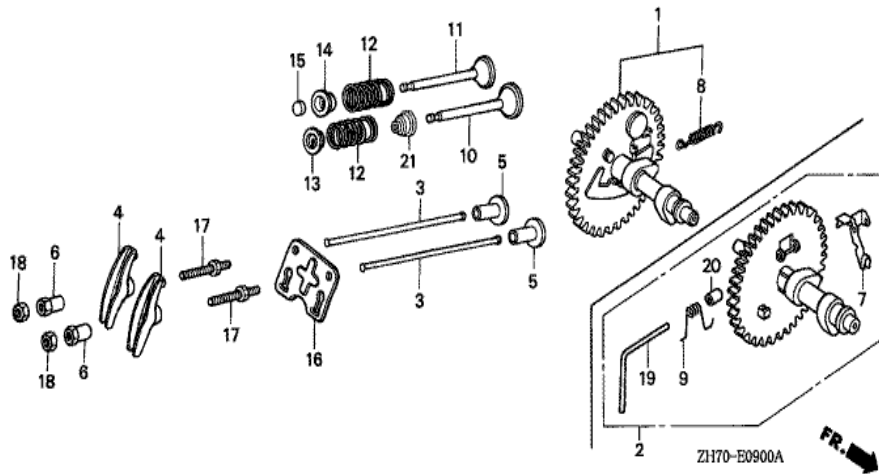


Z170-E0800

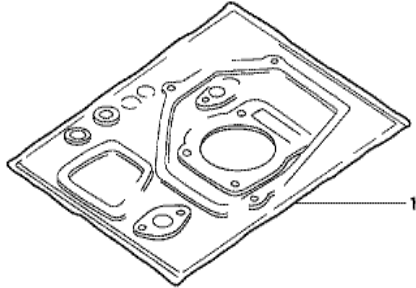


Ref	Partnumber	Description	GX120K1	Serial Numbers
001	13010-ZE6-003	RING SET, PISTON (STD.)	1	3284616
001	13010-ZE6-004	RING SET, PISTON (STD.)	1	3284616
001	13010-ZE6-004	RING SET, PISTON (STD.)	1	3284616
001	13010-ZE6-013	RING SET, PISTON (STD.) (NIPPON)	1	3284616
001	13010-ZE6-013	RING SET, PISTON (STD.) (NIPPON)	1	
001	13010-ZE6-014	RING SET, PISTON (STD.) (TEIKOKU)	1	3284616
001	13010-ZE6-014	RING SET, PISTON (STD.) (TEIKOKU)	1	
001	13010-ZK7-V01	RING SET, PISTON (STD.) (TEIKOKU)	1	3284617 3993725
001	13010-ZK7-V01	RING SET, PISTON (STD.) (TEIKOKU)	1	3284617
001	13010-ZK7-V02	RING SET, PISTON (STD.) (NIPPON)	1	3284617 3993725
001	13010-ZK7-V02	RING SET, PISTON (STD.) (NIPPON)	1	3284617
001	13011-ZE6-003	RING SET, PISTON (0.25)	(1)	3284616
001	13011-ZE6-003	RING SET, PISTON (0.25)	(1)	3284616

<u>Ref</u>	<u>Partnumber</u>	<u>Description</u>	<u>GX120K1</u>	<u>Serial Numbers</u>
001	13011-ZE6-004	RING SET, PISTON (0.25)	(1)	3284616
001	13011-ZE6-004	RING SET, PISTON (0.25)	(1)	3284616
001	13011-ZE6-013	RING SET, PISTON (0.25) (NIPPON)	(1)	3284616
001	13011-ZE6-013	RING SET, PISTON (0.25) (NIPPON)	(1)	
001	13011-ZE6-014	RING SET, PISTON (0.25) (TEIKOKU)	(1)	3284616
001	13011-ZE6-014	RING SET, PISTON (0.25) (TEIKOKU)	(1)	
001	13011-ZK7-V01	RING SET, PISTON (0.25) (TEIKOKU)	(1)	3284617 3993725
001	13011-ZK7-V01	RING SET, PISTON (0.25) (TEIKOKU)	(1)	3284617
001	13011-ZK7-V02	RING SET, PISTON (0.25) (NIPPON)	(1)	3284617 3993725
001	13011-ZK7-V02	RING SET, PISTON (0.25) (NIPPON)	(1)	3284617
001	13012-ZE6-003	RING SET, PISTON (0.50)	(1)	3284616
001	13012-ZE6-003	RING SET, PISTON (0.50)	(1)	3284616
001	13012-ZE6-004	RING SET, PISTON (0.50)	(1)	3284616
001	13012-ZE6-004	RING SET, PISTON (0.50)	(1)	3284616
001	13012-ZE6-013	RING SET, PISTON (0.50) (NIPPON)	(1)	3284616
001	13012-ZE6-013	RING SET, PISTON (0.50) (NIPPON)	(1)	
001	13012-ZE6-014	RING SET, PISTON (0.50) (TEIKOKU)	(1)	3284616
001	13012-ZE6-014	RING SET, PISTON (0.50) (TEIKOKU)	(1)	
001	13012-ZK7-V01	RING SET, PISTON (0.50) (TEIKOKU)	(1)	3284617 3993725
001	13012-ZK7-V01	RING SET, PISTON (0.50) (TEIKOKU)	(1)	3284617
001	13012-ZK7-V02	RING SET, PISTON (0.50) (NIPPON)	(1)	3284617 3993725
001	13012-ZK7-V02	RING SET, PISTON (0.50) (NIPPON)	(1)	3284617
001	13013-ZE6-003	RING SET, PISTON (0.75)	(1)	3284616
001	13013-ZE6-003	RING SET, PISTON (0.75)	(1)	3284616
001	13013-ZE6-004	RING SET, PISTON (0.75)	(1)	3284616
001	13013-ZE6-004	RING SET, PISTON (0.75)	(1)	3284616
001	13013-ZE6-013	RING SET, PISTON (0.75) (NIPPON)	(1)	3284616
001	13013-ZE6-013	RING SET, PISTON (0.75) (NIPPON)	(1)	
001	13013-ZE6-014	RING SET, PISTON (0.75) (TEIKOKU)	(1)	3284616
001	13013-ZE6-014	RING SET, PISTON (0.75) (TEIKOKU)	(1)	
001	13013-ZK7-V01	RING SET, PISTON (0.75) (TEIKOKU)	(1)	3284617 3993725
001	13013-ZK7-V01	RING SET, PISTON (0.75) (TEIKOKU)	(1)	3284617
001	13013-ZK7-V02	RING SET, PISTON (0.75) (NIPPON)	(1)	3284617 3993725
<u>Ref</u>	<u>Partnumber</u>	<u>Description</u>	<u>GX120K1</u>	<u>Serial Numbers</u>
001	13013-ZK7-V02	RING SET, PISTON (0.75) (NIPPON)	(1)	3284617
002	13101-ZH7-000	PISTON (STD.)	1	3993725
002	13101-ZH7-000	PISTON (STD.)	1	
002	13102-ZH7-000	PISTON (0.25)	(1)	3993725
002	13102-ZH7-000	PISTON (0.25)	(1)	
002	13103-ZH7-000	PISTON (0.50)	(1)	3993725
002	13103-ZH7-000	PISTON (0.50)	(1)	
002	13104-ZH7-000	PISTON (0.75)	(1)	3993725
002	13104-ZH7-000	PISTON (0.75)	(1)	
003	13111-ZE0-000	PIN, PISTON	1	
004	13200-ZE0-000	ROD ASSY., CONNECTING	1	
004	132A0-ZE0-000	ROD ASSY., CONNECTING (UNDER SIZE)	(1)	
005	90001-ZE1-000	BOLT, CONNECTING ROD	2	
006	90551-ZE0-000	CLIP, PISTON PIN, 13MM	2	



<u>Ref</u>	<u>Partnumber</u>	<u>Description</u>	<u>GX120K1</u>	<u>Serial Numbers</u>
001	14100-ZE0-812	CAMSHAFT ASSY.	1	
003	14410-ZE0-010	ROD, PUSH	2	
004	14431-ZE1-000	ARM, VALVE ROCKER	2	
005	14441-ZE1-000	LIFTER, VALVE	2	
006	14451-ZE1-003	PIVOT, ROCKER ARM	2	
008	14568-ZE1-000	SPRING, WEIGHT RETURN	1	
010	14711-ZF0-000	VALVE, IN.	1	
011	14721-ZE0-810	VALVE, EX. (STELLITE)	(1)	
011	14721-ZF0-000	VALVE, EX.	(1)	
011	14721-ZF0-000	VALVE, EX.	(1)	
011	14721-ZH7-810	VALVE, EX. (STELLITE)	(1)	
011	14721-ZH7-810	VALVE, EX. (STELLITE)	(1)	
012	14751-ZF1-000	SPRING, VALVE	2	
<u>Ref</u>	<u>Partnumber</u>	<u>Description</u>	<u>GX120K1</u>	<u>Serial Numbers</u>
013	14771-ZE1-000	RETAINER, IN. VALVE SPRING	1	
014	14773-ZE1-000	RETAINER, EX. VALVE SPRING	1	
015	14781-ZE1-000	ROTATOR, VALVE	1	
016	14791-ZE0-010	PLATE, PUSH ROD GUIDE	1	
017	90012-ZE0-010	BOLT, PIVOT, 8MM	2	
018	90206-ZE1-000	NUT, PIVOT ADJUSTING	2	



HENG-X0003

<u>Ref</u>	<u>Partnumber</u>	<u>Description</u>	<u>GX120K1</u>	<u>Serial Numbers</u>
001	061A1-ZH7-010	GASKET KIT	1	
001	061A1-ZH7-010	GASKET KIT	1	
001	061A1-ZH7-700	GASKET KIT	1	
001	061A1-ZH7-700	GASKET KIT	1	
001	061A1-ZH7-710	GASKET KIT	1	
001	061A1-ZH7-710	GASKET KIT	1	
001	061A1-ZH7-720	GASKET KIT	1	
001	061A1-ZH7-720	GASKET KIT	1	