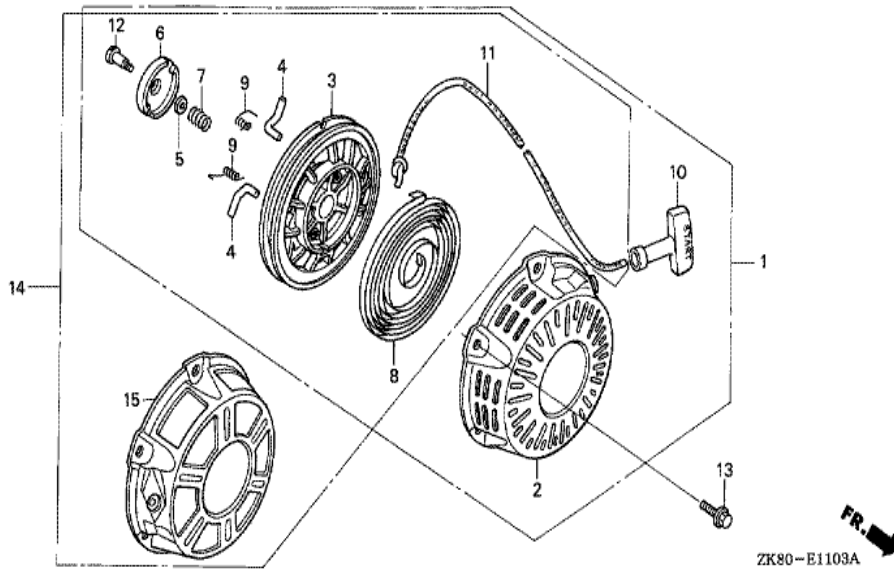


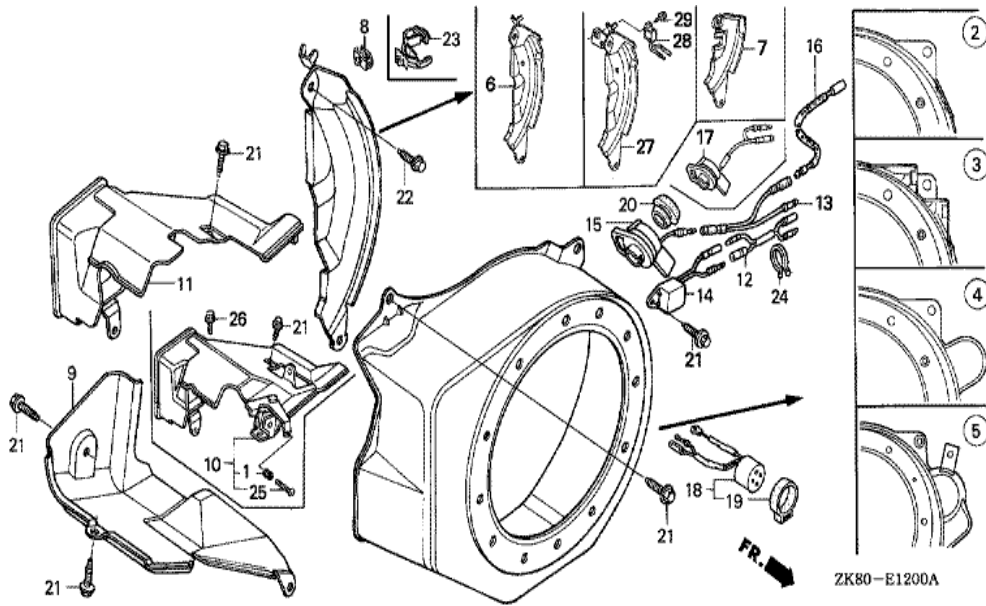
ZK80-E1100



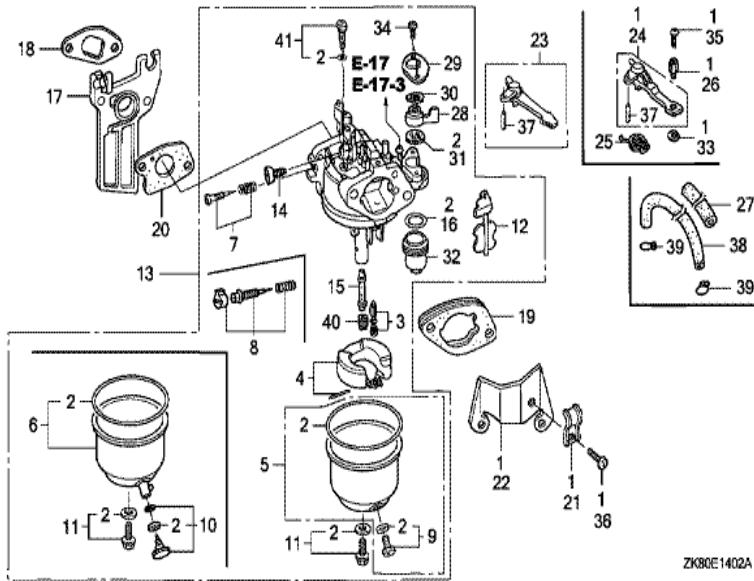
<u>Ref</u>	<u>Partnumber</u>	<u>Description</u>	<u>GX160K1</u>	<u>Serial Numbers</u>
001	28400-ZH8-013YA	STARTER ASSY., RECOIL *R280 *	1	
001	28400-ZH8-013YA	STARTER ASSY., RECOIL *R280 *	1	8805657
004	28410-ZH8-003YA	CASE COMP., RECOIL STARTER *R280 *	1	
004	28410-ZH8-003YA	CASE COMP., RECOIL STARTER *R280 *	1	8805657
005	28420-ZH8-013	REEL, RECOIL STARTER (NATURAL)	1	
005	28420-ZH8-013	REEL, RECOIL STARTER (NATURAL)	1	8805657
006	28422-ZH8-013	RATCHET, STARTER	2	
006	28422-ZH8-013	RATCHET, STARTER	2	8805657
007	28433-ZH8-003	GUIDE, RATCHET	1	
007	28433-ZH8-003	GUIDE, RATCHET	1	8805657
008	28441-ZH8-003	SPRING, FRICTION	1	
008	28441-ZH8-003	SPRING, FRICTION	1	8805657
009	28442-ZH8-003	SPRING, RECOIL STARTER	1	
<u>Ref</u>	<u>Partnumber</u>	<u>Description</u>	<u>GX160K1</u>	<u>Serial Numbers</u>
009	28442-ZH8-003	SPRING, RECOIL STARTER	1	8805657
010	28443-ZH8-003	SPRING, RETURN	2	
010	28443-ZH8-003	SPRING, RETURN	2	8805657
011	28461-ZH8-003	GRIP, STARTER	1	
011	28461-ZH8-003	GRIP, STARTER	1	8805657
012	28462-ZH8-003	ROPE, RECOIL STARTER	1	
012	28462-ZH8-003	ROPE, RECOIL STARTER	1	8805657
013	90003-ZH8-003	SCREW, SETTING	1	
013	90003-ZH8-003	SCREW, SETTING	1	8805657
014	90008-ZE2-003	BOLT, FLANGE, 6X10	3	
014	90008-ZE2-003	BOLT, FLANGE, 6X10	3	8805657



<u>Ref</u>	<u>Partnumber</u>	<u>Description</u>	<u>GX160K1</u>	<u>Serial Numbers</u>
001	28400-ZH8-023YA	STARTER ASSY., RECOIL *R280 *	1	
001	28400-ZH8-023YA	STARTER ASSY., RECOIL *R280 *	1	8805658
002	28410-ZH8-003YA	CASE COMP., RECOIL STARTER *R280 *	1	
002	28410-ZH8-003YA	CASE COMP., RECOIL STARTER *R280 *	1	8805658
003	28421-ZH8-801	REEL, RECOIL STARTER (BLACK)	1	
003	28421-ZH8-801	REEL, RECOIL STARTER (BLACK)	1	8805658
004	28422-ZH8-801	RATCHET, STARTER	2	
004	28422-ZH8-801	RATCHET, STARTER	2	8805658
005	28431-ZH8-801	PLATE, FRICTION	1	
005	28431-ZH8-801	PLATE, FRICTION	1	8805658
006	28433-ZH8-801	GUIDE, RATCHET	1	
006	28433-ZH8-801	GUIDE, RATCHET	1	8805658
007	28441-ZH8-801	SPRING, FRICTION	1	
<u>Ref</u>	<u>Partnumber</u>	<u>Description</u>	<u>GX160K1</u>	<u>Serial Numbers</u>
007	28441-ZH8-801	SPRING, FRICTION	1	8805658
008	28442-ZH8-003	SPRING, RECOIL STARTER	1	
008	28442-ZH8-003	SPRING, RECOIL STARTER	1	8805658
009	28443-ZH8-801	SPRING, RETURN	2	
009	28443-ZH8-801	SPRING, RETURN	2	8805658
010	28461-ZH8-003	GRIP, STARTER	1	
010	28461-ZH8-003	GRIP, STARTER	1	8805658
011	28462-ZH8-003	ROPE, RECOIL STARTER	1	
011	28462-ZH8-003	ROPE, RECOIL STARTER	1	8805658
012	90003-ZH8-801	SCREW, SETTING	1	
012	90003-ZH8-801	SCREW, SETTING	1	8805658
013	90008-ZE2-003	BOLT, FLANGE, 6X10	3	
013	90008-ZE2-003	BOLT, FLANGE, 6X10	3	8805658



Ref	Partnumber	Description	GX160K1	Serial Numbers
005	19610-ZE1-830ZG	COVER COMP., FAN (STARTER MOTOR) *R280 *	1	
007	19612-ZH8-840	PLATE, SIDE (STARTER MOTOR)	1	
009	19630-ZH8-000	SHROUD COMP.	1	
009	19630-ZH8-000	SHROUD COMP.	1	
021	90013-883-000	BOLT, FLANGE, 6X12 (CT200)	4	
021	90013-883-000	BOLT, FLANGE, 6X12 (CT200)	6	
022	90121-952-000	BOLT, FLANGE, 6X25 (CT200)	1	
022	90121-952-000	BOLT, FLANGE, 6X25 (CT200)	1	

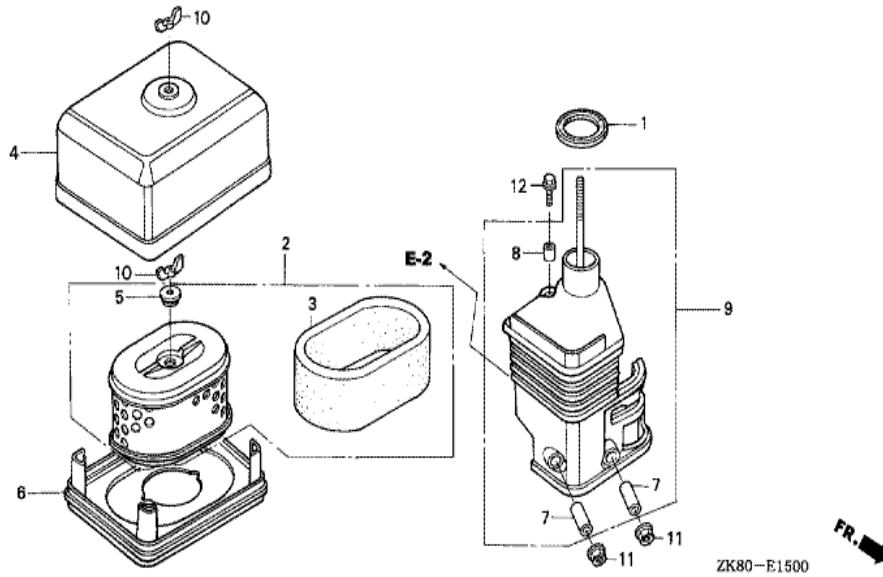


FR. →

ZK80E1402A

Ref	Partnumber	Description	GX160K1	Serial Numbers
002	16010-ZE1-812	GASKET SET	1	
003	16011-ZE0-005	VALVE SET, FLOAT	1	
004	16013-ZE0-005	FLOAT SET	1	
005	16015-ZE0-831	CHAMBER SET, FLOAT	1	
008	16016-ZH7-W01	SCREW SET, PILOT	1	
009	16024-ZE1-811	SCREW SET, DRAIN	1	
011	16028-ZE0-005	SCREW SET	1	
012	16044-ZE0-005	CHOKE SET	1	
013	16100-ZH8-W51	CARBURETOR ASSY. (BE65B B/C)	1	
013	16100-ZH8-W51	CARBURETOR ASSY. (BE65B B/C)	1	
014	16124-ZE0-005	SCREW, THROTTLE STOP	1	
015	16166-ZH8-W50	NOZZLE, MAIN	(1)	
015	16166-ZH8-W50	NOZZLE, MAIN	1	

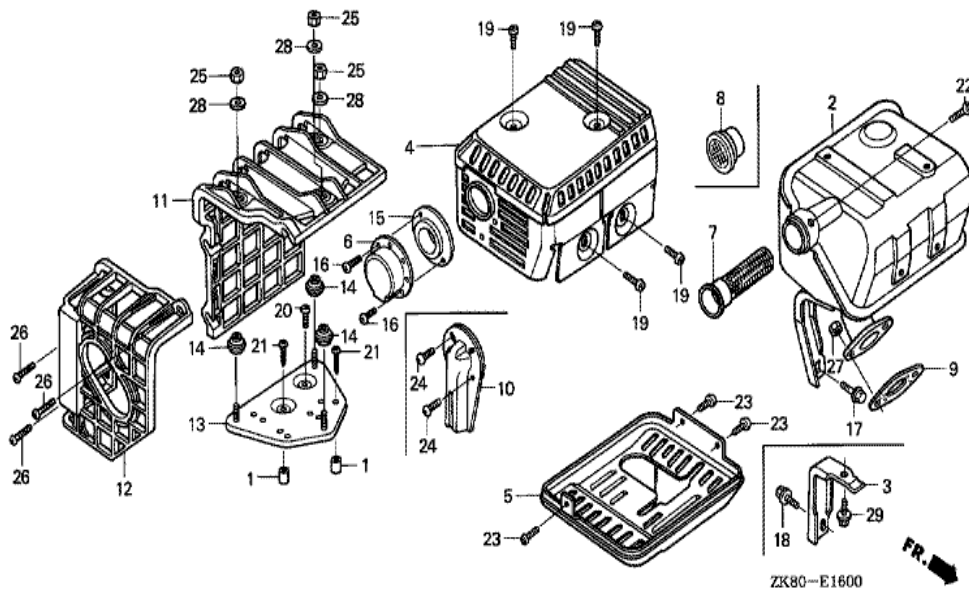
<u>Ref</u>	<u>Partnumber</u>	<u>Description</u>	<u>GX160K1</u>	<u>Serial Numbers</u>
016	16173-001-004	PACKING, FUEL STRAINER CUP	1	
017	16211-ZE1-000	INSULATOR, CARBURETOR	1	
018	16212-ZH8-800	PACKING, INSULATOR	1	
019	16220-ZE1-020	SPACER COMP., CARBURETOR	1	
019	16220-ZE1-020	SPACER COMP., CARBURETOR	1	
020	16221-ZH8-801	PACKING, CARBURETOR	1	
023	16610-ZE1-000	LEVER COMP., CHOKE (STD.)	1	
028	16953-ZE1-812	LEVER, COCK	1	
029	16954-ZE1-812	PLATE, LEVER SETTING	1	
030	16956-ZE1-811	SPRING, COCK LEVER	1	
031	16957-ZE1-812	PACKING, FUEL COCK	1	
032	16967-ZE0-811	CUP, FUEL STRAINER	1	
034	93500-030061H	SCREW, PAN, 3X6	2	
037	94305-20122	PIN, SPRING, 2X12	1	
040	99101-ZH80650	JET, MAIN, #65	(1)	
040	99101-ZH80650	JET, MAIN, #65	(1)	
040	99101-ZH80680	JET, MAIN, #68	(1)	
040	99101-ZH80680	JET, MAIN, #68	(1)	
040	99101-ZH80700	JET, MAIN, #70	(1)	
040	99101-ZH80700	JET, MAIN, #70	1	
041	99204-ZE00350	JET SET, PILOT, #35	1	



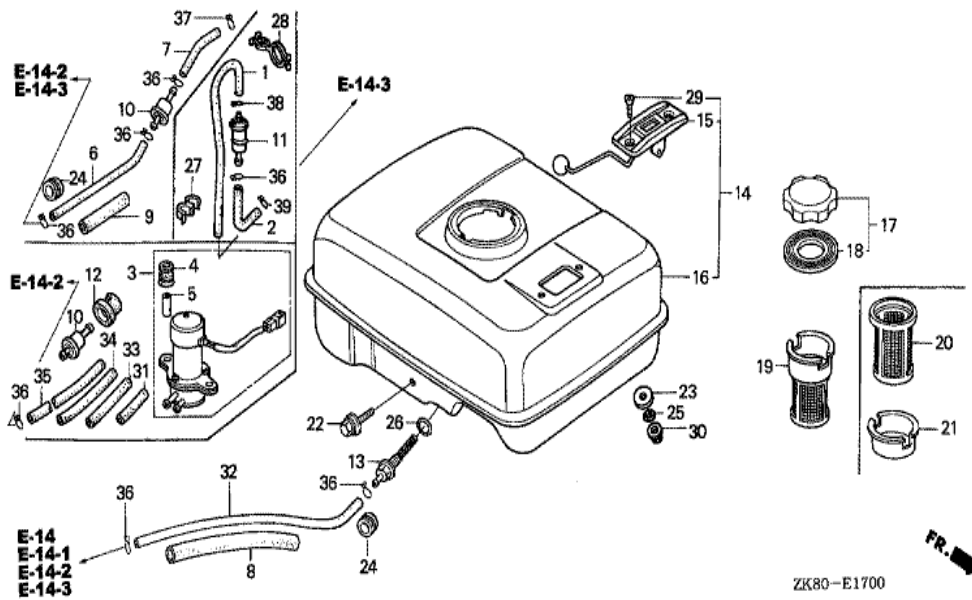
ZK80-E1500

FR. →

Ref	Partnumber	Description	GX160K1	Serial Numbers
001	16271-ZE1-000	PACKING, ELBOW	1	
002	17210-ZE1-822	ELEMENT, AIR CLEANER (DUAL)	1	
003	17218-ZE1-821	FILTER, OUTER	1	
004	17230-ZE1-820	COVER, AIR CLEANER (DUAL)	1	
005	17232-891-000	GROMMET, AIR CLEANER	1	
007	17238-ZE7-010	COLLAR, AIR CLEANER	2	
008	17239-ZE1-000	COLLAR B, AIR CLEANER	1	
009	17410-ZE1-020	ELBOW COMP., AIR CLEANER	1	
010	90325-044-000	NUT, TOOL BOX SETTING	2	
011	94050-06000	NUT, FLANGE, 6MM	2	
012	95701-0602000	BOLT, FLANGE, 6X20	1	

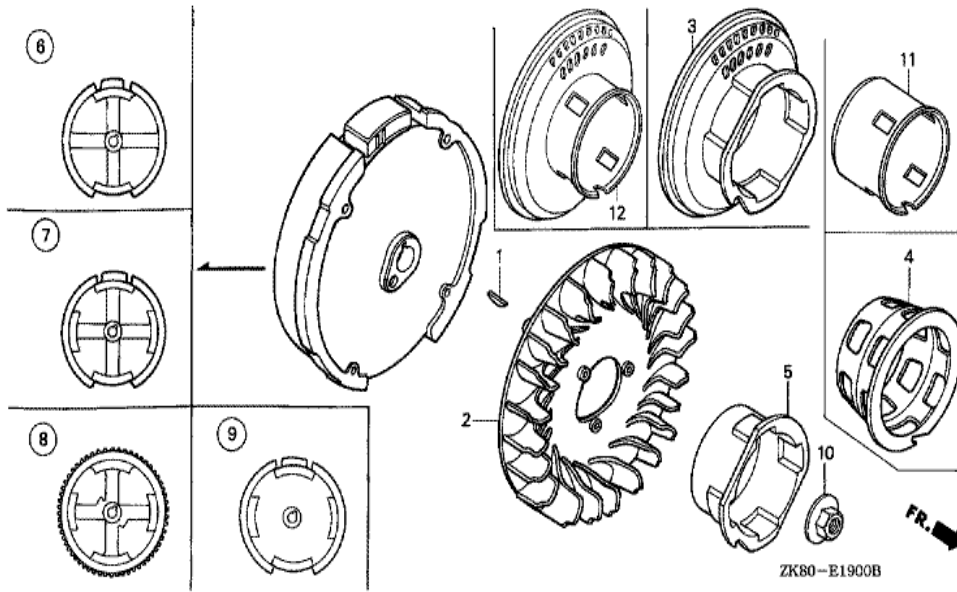


Ref	Partnumber	Description	GX160K1	Serial Numbers
002	18310-ZF1-000	MUFFLER COMP. (STD.)	(1)	
002	18310-ZF1-000	MUFFLER COMP. (STD.)	1	
002	18310-ZH8-810	MUFFLER COMP. (ARRESTER)	(1)	
002	18310-ZH8-810	MUFFLER COMP. (ARRESTER)	(1)	
004	18320-ZF1-H01	PROTECTOR, MUFFLER (STD.) (BLACK)	1	
007	18355-ZE1-000	ARRESTER, SPARK	1	
007	18355-ZE1-000	ARRESTER, SPARK	(1)	
009	18381-ZH8-800	GASKET, MUFFLER	1	
019	90050-ZE1-000	SCREW, TAPPING, 5X8	4	
022	90055-ZE1-000	SCREW, TAPPING, 4X6	1	
022	90055-ZE1-000	SCREW, TAPPING, 4X6	(1)	
027	94001-080000S	NUT, HEX., 8MM	2	



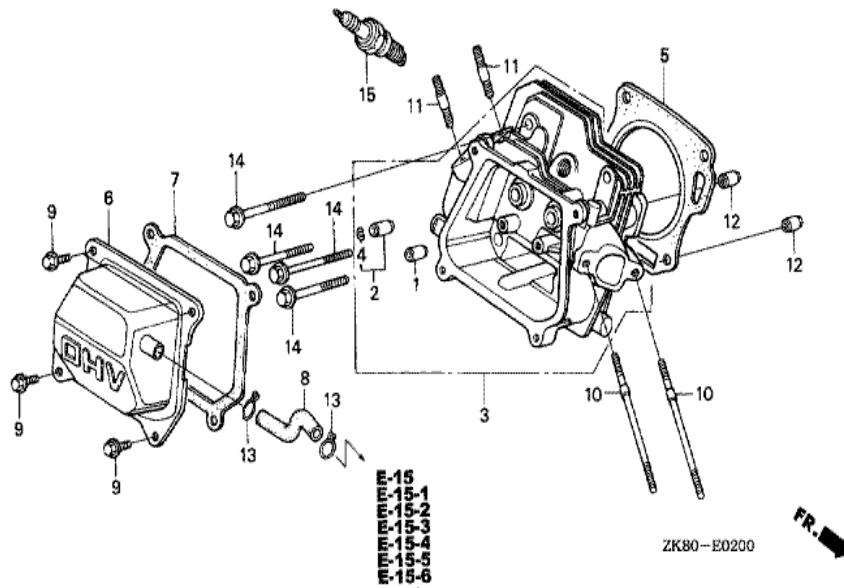
ZK80-E1700

Ref	Partnumber	Description	GX160K1	Serial Numbers
008	16854-ZH8-000	RUBBER, SUPPORTER (107MM)	1	
013	16955-ZE1-000	JOINT, FUEL TANK	1	
016	17510-ZE1-020ZA	TANK COMP., FUEL *NH31 *	1	
017	17620-Z0T-305	CAP COMP., FUEL FILLER (CHROME PLATED)	1	
017	17620-Z0T-305	CAP COMP., FUEL FILLER (CHROME PLATED)	(1)	
018	17631-Z0T-812	PACKING, FUEL FILLER CAP (39X62X3) (TOUY)	1	
022	90004-ZH7-003	BOLT, FLANGE, 6X29	1	
026	91353-671-004	O-RING, 14MM (NOK)	1	
030	94050-06000	NUT, FLANGE, 6MM	2	
032	95001-4514040	TUBE, FUEL, 4.5X140 (95001-45001-60M)	1	
036	95002-02080	CLIP, TUBE (B8)	1	
036	95002-02080	CLIP, TUBE (B8)	2	

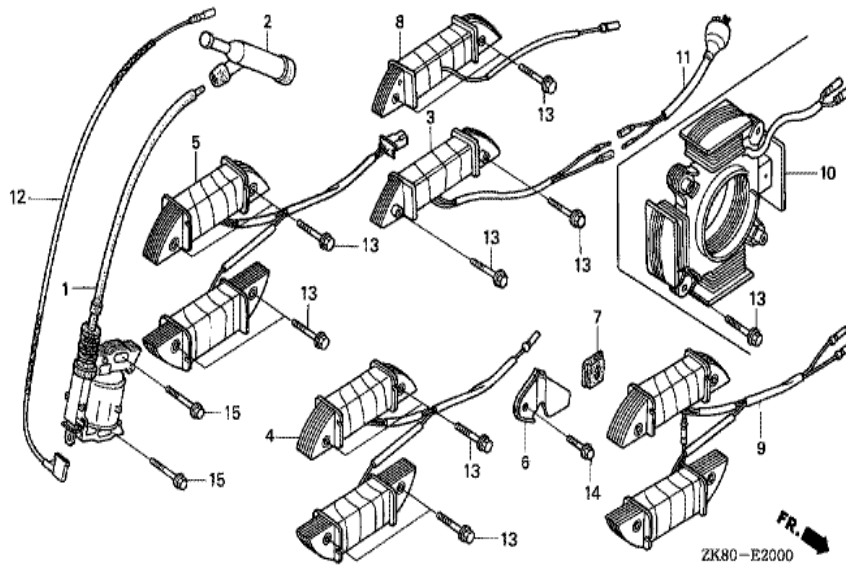


ZK80-E1900B

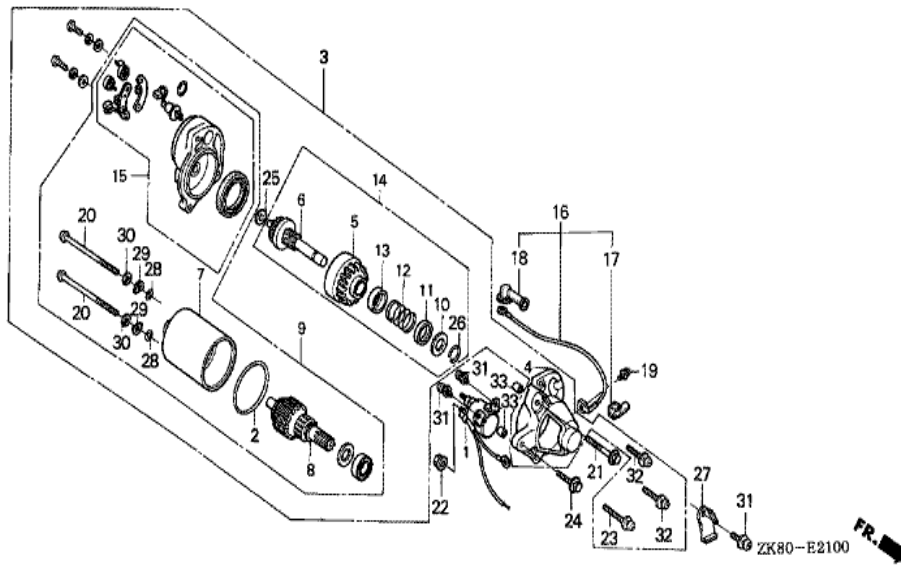
Ref	Partnumber	Description	GX160K1	Serial Numbers
001	13331-357-000	KEY, SPECIAL WOODRUFF, 25X18	1	
002	19511-ZE1-000	FAN, COOLING	1	
005	28451-ZH8-003	PULLEY, STARTER	1	
005	28451-ZH8-003	PULLEY, STARTER	1	8805657
008	31100-ZE1-821	FLYWHEEL COMP. (STARTER MOTOR)	1	
010	90201-878-003	NUT, SPECIAL, 14MM	1	
011	28451-ZH8-801	PULLEY, STARTER	1	
011	28451-ZH8-801	PULLEY, STARTER	1	8805658



Ref	Partnumber	Description	GX160K1	Serial Numbers
001	12204-ZE1-306	GUIDE, IN. VALVE (OS)	(1)	
002	12205-ZE1-315	GUIDE, EX. VALVE (OS)	(1)	
003	12210-ZH8-405	HEAD COMP., CYLINDER	1	
003	12210-ZH8-405	HEAD COMP., CYLINDER	1	2010091
004	12216-ZE5-300	CLIP, VALVE GUIDE	1	
005	12251-ZF1-800	GASKET, CYLINDER HEAD	1	
006	12310-ZE1-020	COVER COMP., HEAD	(1)	
006	12310-ZE1-020	COVER COMP., HEAD	1	
007	12391-ZE1-000	PACKING, HEAD COVER	1	
008	15721-ZH8-000	TUBE, BREATHER	(1)	
008	15721-ZH8-000	TUBE, BREATHER	1	
009	90013-883-000	BOLT, FLANGE, 6X12 (CT200)	4	
010	90043-ZE1-020	BOLT, STUD, 6X112	2	
<u>Ref</u>	<u>Partnumber</u>	<u>Description</u>	<u>GX160K1</u>	<u>Serial Numbers</u>
010	90043-ZE1-020	BOLT, STUD, 6X112	2	
011	90047-ZE1-000	BOLT, STUD, 8X32	2	
012	94301-10160	DOWEL PIN, 10X16	2	
014	95723-0806000	BOLT, FLANGE, 8X60	4	2010106
014	95723-0806000	BOLT, FLANGE, 8X60	4	
015	98079-55846	PLUG, SPARK (BPR5ES) (NGK)	(1)	
015	98079-55846	PLUG, SPARK (BPR5ES) (NGK)	(1)	
015	98079-55855	PLUG, SPARK (W16EPR-U) (DENSO)	(1)	
015	98079-55855	PLUG, SPARK (W16EPR-U) (DENSO)	(1)	
015	98079-56846	PLUG, SPARK (BPR6ES) (NGK)	(1)	
015	98079-56846	PLUG, SPARK (BPR6ES) (NGK)	1	
015	98079-56855	PLUG, SPARK (W20EPR-U) (DENSO)	(1)	
015	98079-56855	PLUG, SPARK (W20EPR-U) (DENSO)	1	

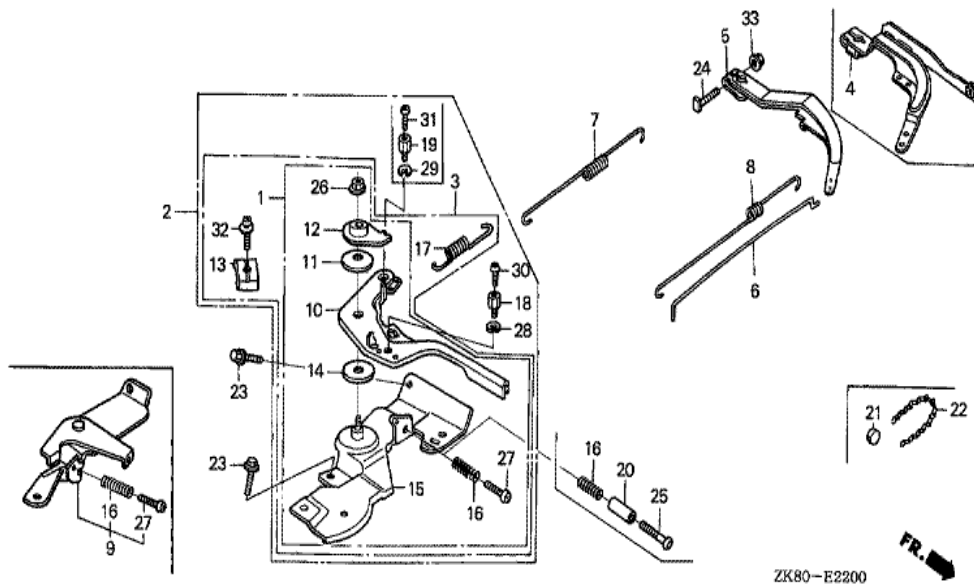


Ref	Partnumber	Description	GX160K1	Serial Numbers
001	30500-ZE1-043	COIL ASSY., IGNITION	1	8954625
001	30500-ZE1-053	COIL ASSY., IGNITION	1	8954626
001	30500-ZE1-053	COIL ASSY., IGNITION	1	8954626
002	30700-ZE1-013	CAP ASSY., NOISE SUPPRESSOR (NICHIIWA Y-E	(1)	
002	30700-ZE1-013	CAP ASSY., NOISE SUPPRESSOR (NICHIIWA Y-E	1	
006	31511-ZE1-000	CLAMPER, CORD	1	
007	31512-ZE1-000	GROMMET, CORD	1	
008	31630-ZE1-003	COIL ASSY., CHARGE (1A)	1	
012	36101-ZB2-010	CORD, STOP SWITCH (395MM)	1	
013	90015-883-000	BOLT, FLANGE, 6X28 (CT200)	2	
014	90019-883-000	BOLT, FLANGE, 5X10	1	
015	90121-952-000	BOLT, FLANGE, 6X25 (CT200)	2	



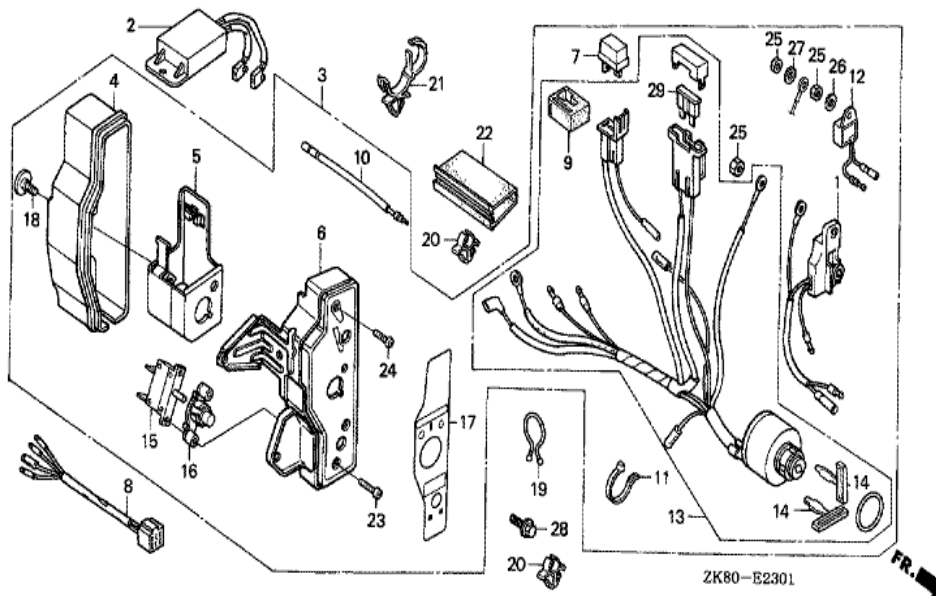
Ref	Partnumber	Description	GX160K1	Serial Numbers
001	31204-ZE1-003	SWITCH COMP., STARTING MAGNET	1	
002	31206-KN7-670	O-RING	1	
003	31210-ZE1-023	MOTOR UNIT, STARTER (SM-11203) (162MM)	1	
004	31212-ZE1-003	COVER COMP., GEAR	1	
005	31214-ZE1-003	PINION ASSY.	1	
006	31215-ZE1-003	SHAFT UNIT, GEAR	1	
007	31216-ZE1-003	YOKE ASSY.	1	
008	31217-ZE1-013	ROTOR ASSY.	1	
009	31220-ZE1-013	MOTOR ONLY	1	
010	31221-ZE1-003	PIECE A, STOPPER	1	
011	31222-ZE1-003	PIECE B, STOPPER	1	
012	31223-ZE1-003	SPRING, RETURN	1	
013	31224-ZE1-003	COVER, SPRING	1	

<u>Ref</u>	<u>Partnumber</u>	<u>Description</u>	<u>GX160K1</u>	<u>Serial Numbers</u>
014	31230-ZE1-003	GEAR ASSY.	1	
015	31235-ZE1-013	BRACKET COMP., FR.	1	
016	32410-ZE1-000	CORD, MAGNET SWITCH	1	
017	32411-ZE1-000	COVER, MAGNETIC SWITCH	1	
018	32411-253-000	COVER, STARTER MOTOR TERMINAL	1	
019	90010-ZE1-003	SCREW-WASHER, 5X8	1	
020	90012-ZE1-003	BOLT, SETTING	2	
021	90017-883-000	BOLT, FLANGE, 6X32 (CT200)	1	
022	90071-MB0-000	NUT-WASHER, 6MM	2	
023	90115-GB4-700	SCREW-WASHER, 5X30	1	
024	90121-952-000	BOLT, FLANGE, 6X25 (CT200)	1	
025	90502-187-701	WASHER, PINION	1	
026	90603-ZE1-003	CIRCLIP, 10.2MM	1	
027	90631-ZE1-003	HOLDER, HARNESS	1	
028	91301-ZE1-003	O-RING	2	
029	91402-ZE6-003	WASHER, SPECIAL	2	
030	91403-ZE6-003	WASHER, SPRING	2	
031	93892-0501408	SCREW-WASHER, 5X14	3	
032	93892-0502008	SCREW-WASHER, 5X20	2	
033	94301-08100	DOWEL PIN, 8X10	2	



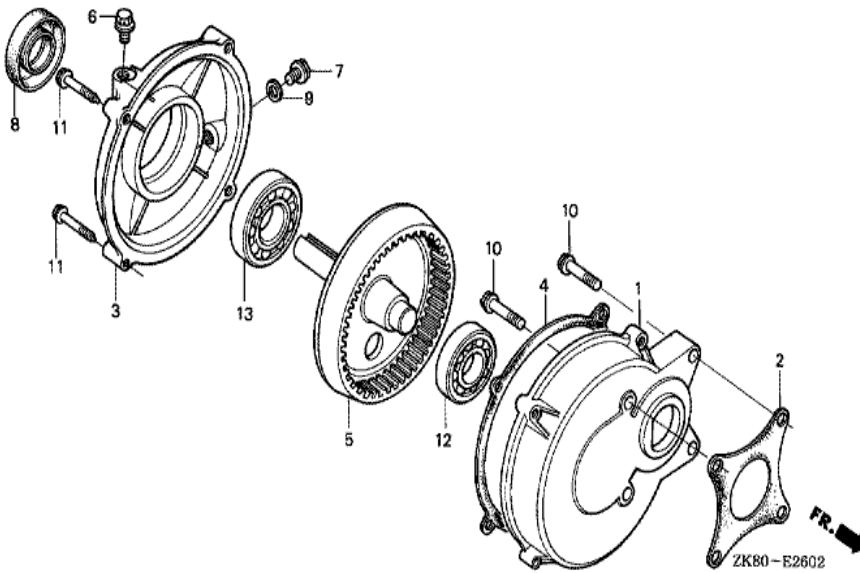
ZK80-E2200

<u>Ref</u>	<u>Partnumber</u>	<u>Description</u>	<u>GX160K1</u>	<u>Serial Numbers</u>
003	16500-ZH8-823	CONTROL ASSY. (REMOTE)	(1)	
003	16500-ZH8-823	CONTROL ASSY. (REMOTE)	1	
005	16551-ZE0-010	ARM, GOVERNOR	1	
005	16551-ZE0-010	ARM, GOVERNOR	1	
006	16555-ZE1-000	ROD, GOVERNOR	1	
007	16561-ZE1-020	SPRING, GOVERNOR	1	
008	16562-ZE1-020	SPRING, THROTTLE RETURN	1	
010	16571-ZH8-020	LEVER, CONTROL	(1)	
010	16571-ZH8-020	LEVER, CONTROL	1	
011	16574-ZE1-000	SPRING, LEVER	1	
012	16575-ZH8-000	WASHER, CONTROL LEVER	1	
013	16576-891-000	HOLDER, CABLE	1	
014	16578-ZE1-000	SPACER, CONTROL LEVER	1	
<u>Ref</u>	<u>Partnumber</u>	<u>Description</u>	<u>GX160K1</u>	<u>Serial Numbers</u>
015	16580-ZH8-813	BASE COMP., CONTROL (REMOTE)	1	
015	16580-ZH8-813	BASE COMP., CONTROL (REMOTE)	1	
016	16584-883-300	SPRING, CONTROL ADJUSTING	1	
017	16592-ZE1-810	SPRING, CABLE RETURN	1	
023	90013-883-000	BOLT, FLANGE, 6X12 (CT200)	2	
024	90015-ZE5-010	BOLT, GOVERNOR ARM	1	
026	90114-SA0-000	NUT, SELF-LOCK, 6MM	1	
027	93500-050250H	SCREW, PAN, 5X25	(1)	
027	93500-050250H	SCREW, PAN, 5X25	1	
032	93500-050160A	SCREW, PAN, 5X16	1	
033	94050-06000	NUT, FLANGE, 6MM	1	

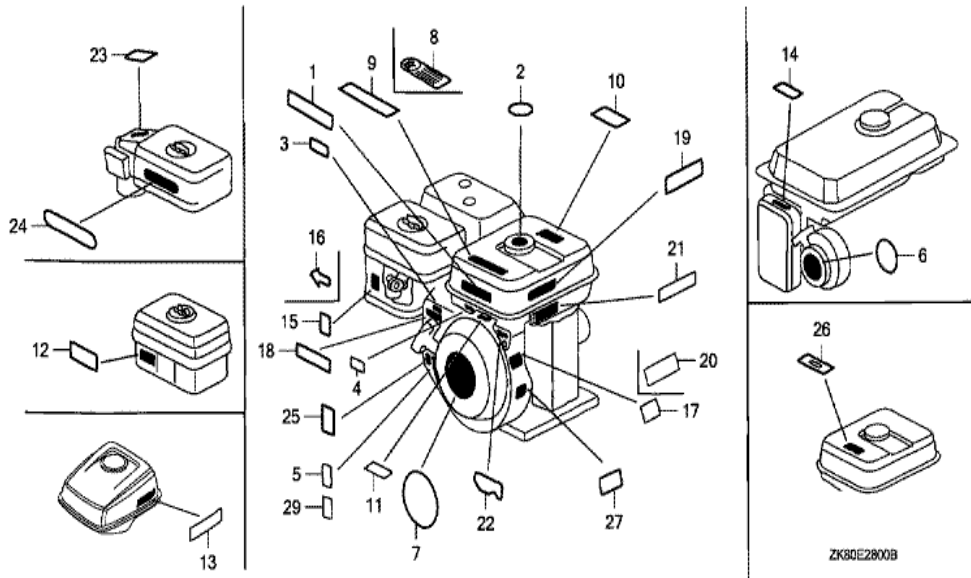


Ref	Partnumber	Description	GX160K1	Serial Numbers
003	31610-ZE1-835ZG	BOX ASSY., CONTROL (EXP-ALERT) *R280*	1	
003	31610-ZE1-835ZG	BOX ASSY., CONTROL (EXP-ALERT) *R280*	1	
004	31612-ZE2-003	CASE, CONTROL	1	
005	31614-ZE2-003	BRACKET, CASE MOUNTING	1	
006	31615-ZE1-003ZG	PANEL COMP., CONTROL *R280 *	1	
007	31700-124-008	RECTIFIER ASSY., SILICON (SHINDENGEN)	1	
009	32127-738-700	SUSPENSION, COUPLER	1	
010	32197-ZE1-003	HARNESS, SUB WIRE	1	
011	32902-892-003	BAND	1	
012	34150-ZH7-003	ALERT UNIT, OIL	1	
013	35100-ZE1-812	SWITCH ASSY., COMBINATION	1	
014	35111-880-003	KEY COMP.	2	
014	35111-880-013	KEY COMP. (HONDA LOCK)	2	8808887

<u>Ref</u>	<u>Partnumber</u>	<u>Description</u>	<u>GX160K1</u>	<u>Serial Numbers</u>
014	35111-880-013	KEY COMP. (HONDA LOCK)	2	8808887
015	38240-VA3-900	PROTECTOR, CIRCUIT (1.0A)	1	
016	38250-ZA8-701	LENS ASSY., PROTECTOR	1	
017	87529-ZE2-812	MARK, CONTROL BOX (EXP)	1	
017	87529-ZE2-812	MARK, CONTROL BOX (EXP)	1	
018	90380-MA6-010	SCREW, SPECIAL, 6X12	1	
019	90630-751-000	CLIP, PURSE LOCK	1	
020	90682-ZE1-000	CLIP, CORD	2	
021	90690-SA0-003	STRAP, WIRE HARNESS, 25MM (BLACK)	1	
022	91406-ZE2-003	TUBE, FASTENER, 30MM	1	
023	93500-030120H	SCREW, PAN, 3X12	2	
024	93500-040120H	SCREW, PAN, 4X12	1	
025	94001-043900S	NUT, HEX., 4MM	(1)	
025	94001-043900S	NUT, HEX., 4MM	2	
026	94101-04800	WASHER, PLAIN, 4MM	1	
027	94111-04800	WASHER, SPRING, 4MM	1	
028	95701-0601000	BOLT, FLANGE, 6X10	(1)	
028	95701-0601000	BOLT, FLANGE, 6X10	1	
029	98200-30500	FUSE, BLADE (5A)	1	

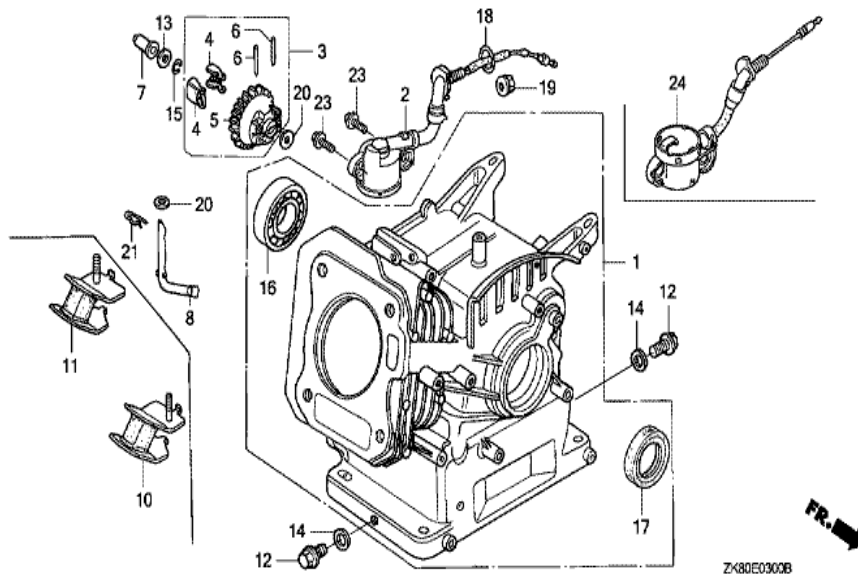


<u>Ref</u>	<u>Partnumber</u>	<u>Description</u>	<u>GX160K1</u>	<u>Serial Numbers</u>
001	21521-883-741	CASE, REDUCTION	1	
002	21591-ZH8-740	PACKING, REDUCTION CASE	1	
003	21621-883-741	COVER, REDUCTION	1	
004	21692-ZH8-800	PACKING, REDUCTION COVER	1	
005	23710-883-740	SHAFT, P.T.O. (86T)	1	
006	90002-883-740	BOLT, BREATHING	1	
007	90131-883-000	BOLT, DRAIN PLUG, 12X15	1	
008	91201-Z0T-801	OIL SEAL, 25X41X6 (NOK)	1	
008	91201-Z0T-801	OIL SEAL, 25X41X6 (NOK)	1	
009	94109-12000	WASHER, DRAIN PLUG, 12MM	1	
010	95701-0803208	BOLT, FLANGE, 8X32	4	
011	95701-0803500	BOLT, FLANGE, 8X35	4	
012	96100-6204000	BEARING, RADIAL BALL, 6204	1	
<u>Ref</u>	<u>Partnumber</u>	<u>Description</u>	<u>GX160K1</u>	<u>Serial Numbers</u>
013	96100-6305000	BEARING, RADIAL BALL, 6305	1	

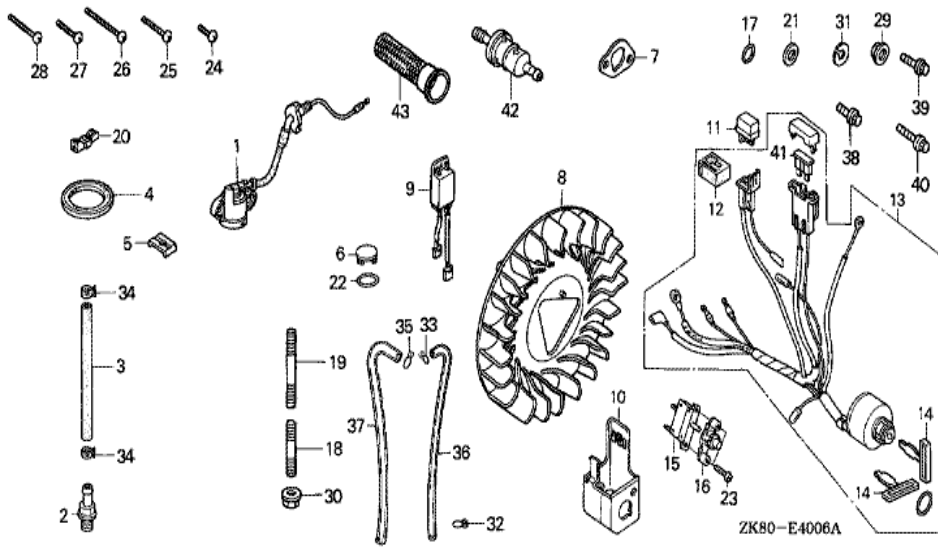


ZK80E2800B

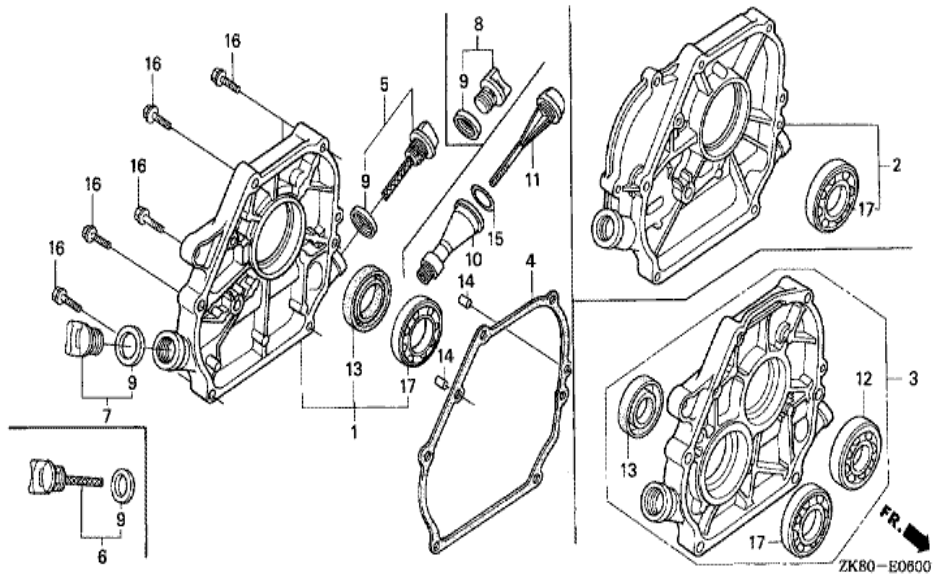
Ref	Partnumber	Description	GX160K1	Serial Numbers
007	87521-ZH8-030	EMBLEM (GX160 5.5)	(1)	
007	87521-ZH8-030	EMBLEM (GX160 5.5)	1	
009	87522-ZH9-010	LABEL, CAUTION (ENGLISH, ETC.)	(1)	
009	87522-ZH9-010	LABEL, CAUTION (ENGLISH, ETC.)	1	
015	87528-ZE1-810	MARK, CHOKE	(1)	
015	87528-ZE1-810	MARK, CHOKE	1	
019	87532-ZH8-810	MARK, OIL ALERT (ENGLISH)	(1)	
019	87532-ZH8-810	MARK, OIL ALERT (ENGLISH)	1	



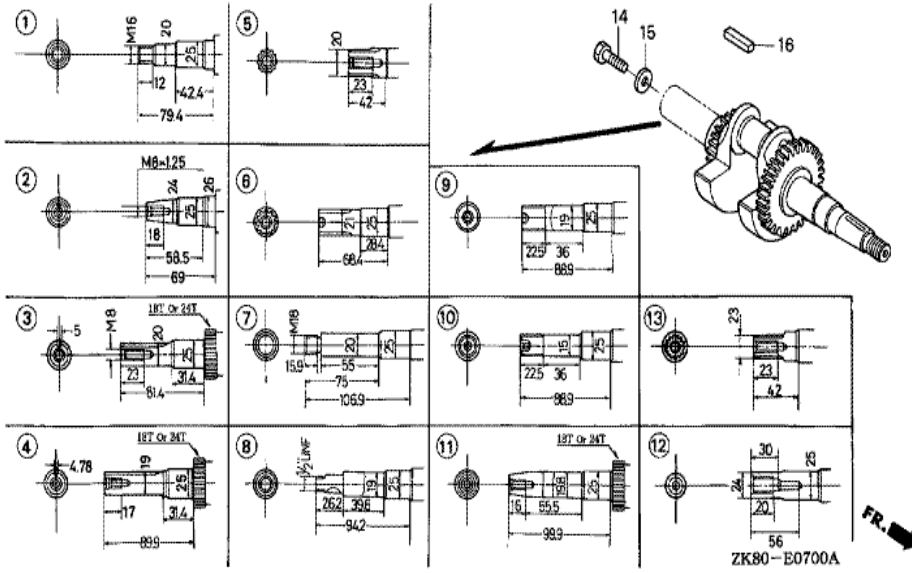
<u>Ref</u>	<u>Partnumber</u>	<u>Description</u>	<u>GX160K1</u>	<u>Serial Numbers</u>
001	12000-ZH8-426	BARREL ASSY., CYLINDER (OIL ALERT)	(1)	
001	12000-ZH8-426	BARREL ASSY., CYLINDER (OIL ALERT)	1	
002	15510-ZE1-033	SWITCH ASSY., OIL LEVEL	1	
003	16510-ZE1-000	GOVERNOR ASSY.	1	
003	16510-ZE1-000	GOVERNOR ASSY.	1	
004	16511-ZE1-000	WEIGHT, GOVERNOR	2	
005	16512-ZE1-000	HOLDER, GOVERNOR WEIGHT	1	
006	16513-ZE1-000	PIN, GOVERNOR WEIGHT	2	
007	16531-ZE1-000	SLIDER, GOVERNOR	1	
008	16541-ZE1-000	SHAFT, GOVERNOR ARM	1	
012	90131-ZE1-000	BOLT, DRAIN PLUG	2	
013	90451-ZE1-000	WASHER, THRUST, 6MM	1	
014	90601-ZE1-000	WASHER, DRAIN PLUG, 10.2MM	2	
<u>Ref</u>	<u>Partnumber</u>	<u>Description</u>	<u>GX160K1</u>	<u>Serial Numbers</u>
015	90602-ZE1-000	CLIP, GOVERNOR HOLDER	1	
016	91001-ZF1-003	BEARING, RADIAL BALL (6205TMB) (NTN)	1	
016	91001-ZF1-003	BEARING, RADIAL BALL (6205TMB) (NTN)	1	
016	91001-ZF1-004	BEARING, RADIAL BALL (6205SH) (KOYO)	1	
016	91001-ZF1-004	BEARING, RADIAL BALL (6205SH) (KOYO)	1	
017	91201-ZOT-801	OIL SEAL, 25X41X6 (NOK)	1	
018	91353-671-004	O-RING, 14MM (NOK)	1	
019	94050-10000	NUT, FLANGE, 10MM	1	
020	94101-06800	WASHER, PLAIN, 6MM	2	
021	94251-08000	PIN, LOCK, 8MM	1	
023	95701-0601200	BOLT, FLANGE, 6X12	2	



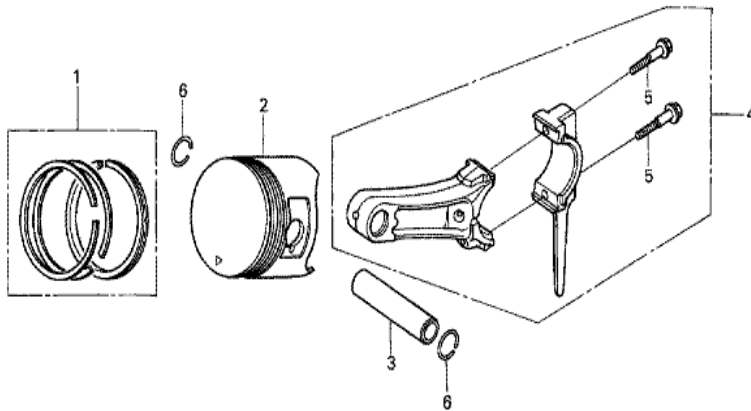
Ref	Partnumber	Description	GX160K1	Serial Numbers
014	35111-880-013	KEY COMP. (HONDA LOCK)	1	
014	35111-880-013	KEY COMP. (HONDA LOCK)	2	



Ref	Partnumber	Description	GX160K1	Serial Numbers
001	11300-ZE1-634	COVER ASSY., CRANKCASE	1	
001	11300-ZE1-634	COVER ASSY., CRANKCASE	1	
004	11381-ZH8-801	PACKING, CASE COVER (NON ASBESTOS)	1	
005	15600-ZE1-003	CAP ASSY., OIL FILLER (GRAY)	1	
007	15600-ZG4-003	CAP ASSY., OIL FILLER	1	
009	15625-ZE1-003	PACKING, OIL FILLER CAP	1	
009	15625-ZE1-003	PACKING, OIL FILLER CAP	2	
013	91201-ZOT-801	OIL SEAL, 25X41X6 (NOK)	1	
013	91202-883-005	OIL SEAL, 25X41X6	1	
013	91202-883-005	OIL SEAL, 25X41X6	1	
014	94301-08140	DOWEL PIN, 8X14	2	
016	95701-0803200	BOLT, FLANGE, 8X32	6	
017	96100-6205000	BEARING, RADIAL BALL, 6205	1	



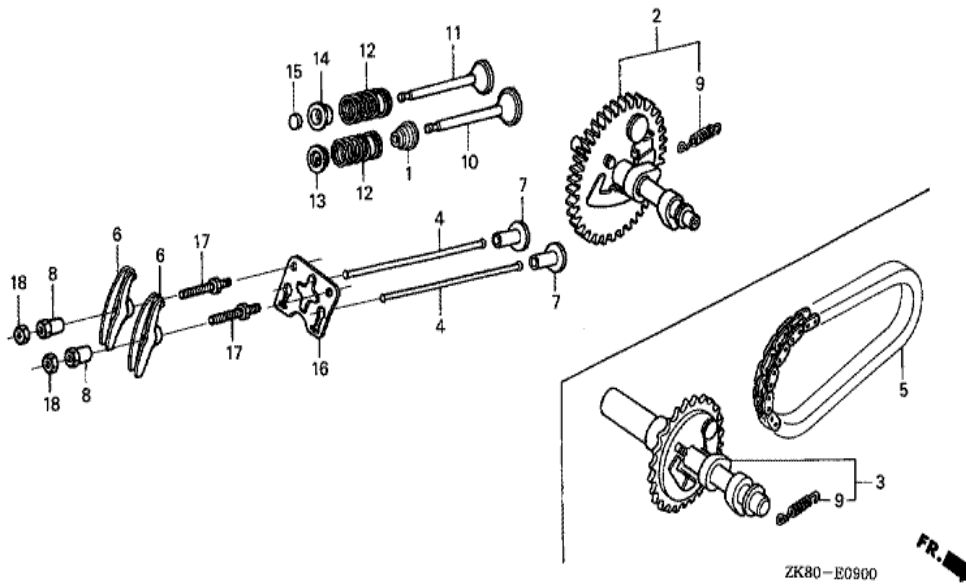
Ref	Partnumber	Description	GX160K1	Serial Numbers
006	13310-ZE1-622	CRANKSHAFT COMP.	1	



ZK80-E0800



<u>Ref</u>	<u>Partnumber</u>	<u>Description</u>	<u>GX160K1</u>	<u>Serial Numbers</u>
001	13010-ZL0-003	RING SET, PISTON (STD.) (TEIKOKU)	1	
001	13010-ZL0-003	RING SET, PISTON (STD.) (TEIKOKU)	1	
001	13010-ZL0-004	RING SET, PISTON (STD.) (NIPPON)	1	2010096
001	13010-ZL0-004	RING SET, PISTON (STD.) (NIPPON)	1	
001	13011-ZL0-003	RING SET, PISTON (0.25) (TEIKOKU)	(1)	2010096
001	13011-ZL0-003	RING SET, PISTON (0.25) (TEIKOKU)	(1)	
001	13011-ZL0-004	RING SET, PISTON (0.25) (NIPPON)	(1)	2010096
001	13011-ZL0-004	RING SET, PISTON (0.25) (NIPPON)	(1)	
001	13012-ZL0-003	RING SET, PISTON (0.50) (TEIKOKU)	(1)	2010096
001	13012-ZL0-003	RING SET, PISTON (0.50) (TEIKOKU)	(1)	
001	13012-ZL0-004	RING SET, PISTON (0.50) (NIPPON)	(1)	
001	13012-ZL0-004	RING SET, PISTON (0.50) (NIPPON)	(1)	
001	13013-ZL0-003	RING SET, PISTON (0.75) (TEIKOKU)	(1)	2010096
<u>Ref</u>	<u>Partnumber</u>	<u>Description</u>	<u>GX160K1</u>	<u>Serial Numbers</u>
001	13013-ZL0-003	RING SET, PISTON (0.75) (TEIKOKU)	(1)	
001	13013-ZL0-004	RING SET, PISTON (0.75) (NIPPON)	(1)	2010096
001	13013-ZL0-004	RING SET, PISTON (0.75) (NIPPON)	(1)	
002	13101-ZH8-010	PISTON (STD.)	1	2010096
002	13101-ZH8-010	PISTON (STD.)	1	
002	13102-ZH8-010	PISTON (0.25)	(1)	2010096
002	13102-ZH8-010	PISTON (0.25)	(1)	
002	13103-ZH8-010	PISTON (0.50)	(1)	2010096
002	13103-ZH8-010	PISTON (0.50)	(1)	
002	13104-ZH8-010	PISTON (0.75)	(1)	2010096
002	13104-ZH8-010	PISTON (0.75)	(1)	
003	13111-ZE1-000	PIN, PISTON	1	
004	13200-ZE1-010	ROD ASSY., CONNECTING (STD.)	1	
004	132A0-ZE1-000	ROD ASSY., CONNECTING (0.25 UNDER SIZE)	(1)	
004	132A0-ZE1-000	ROD ASSY., CONNECTING (0.25 UNDER SIZE)	(1)	
005	90001-ZE1-000	BOLT, CONNECTING ROD	2	
006	90551-ZE1-000	CLIP, PISTON PIN, 18MM	2	



ZK80-E0900



<u>Ref</u>	<u>Partnumber</u>	<u>Description</u>	<u>GX160K1</u>	<u>Serial Numbers</u>
001	12209-ZH8-003	SEAL, VALVE STEM	1	
002	14100-ZE1-812	CAMSHAFT ASSY.	1	
002	14100-ZE1-812	CAMSHAFT ASSY.	1	
004	14410-ZE1-010	ROD, PUSH	2	
006	14431-ZE1-000	ARM, VALVE ROCKER	2	
007	14441-ZE1-010	LIFTER, VALVE	2	
008	14451-ZE1-013	PIVOT, ROCKER ARM	2	
009	14568-ZE1-000	SPRING, WEIGHT RETURN	1	
010	14711-ZF1-000	VALVE, IN.	1	
011	14721-ZF1-000	VALVE, EX.	1	
011	14721-ZF1-000	VALVE, EX.	1	
012	14751-ZF1-000	SPRING, VALVE	2	
013	14771-ZE1-000	RETAINER, IN. VALVE SPRING	1	
<u>Ref</u>	<u>Partnumber</u>	<u>Description</u>	<u>GX160K1</u>	<u>Serial Numbers</u>
014	14773-ZE1-000	RETAINER, EX. VALVE SPRING	1	
014	14773-ZE1-000	RETAINER, EX. VALVE SPRING	1	
015	14781-ZE1-000	ROTATOR, VALVE	1	
016	14791-ZE1-010	PLATE, PUSH ROD GUIDE	1	
017	90012-ZE0-010	BOLT, PIVOT, 8MM	2	
018	90206-ZE1-000	NUT, PIVOT ADJUSTING	2	