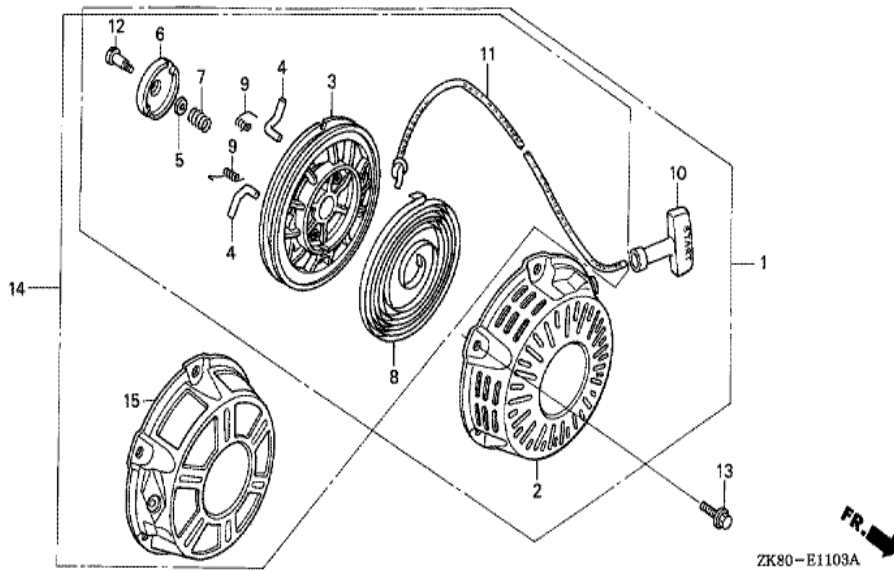




ZK80-E1100

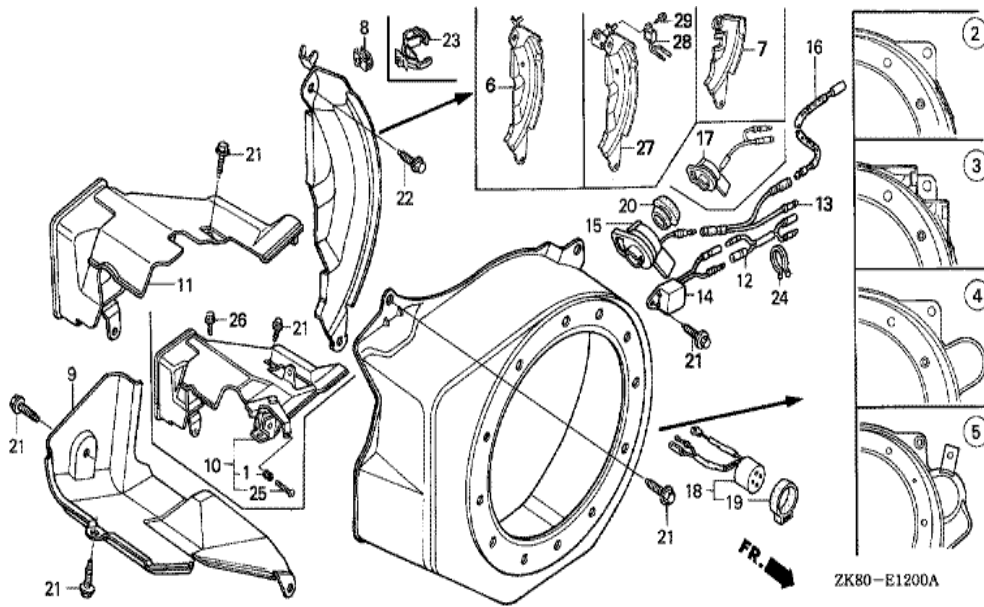
FR. →

| Ref | Partnumber      | Description                        | GX160K1 | Serial Numbers |
|-----|-----------------|------------------------------------|---------|----------------|
| 001 | 28400-ZH8-013YA | STARTER ASSY., RECOIL *R280 *      | 1       | 8805657        |
| 004 | 28410-ZH8-003YA | CASE COMP., RECOIL STARTER *R280 * | 1       | 8805657        |
| 005 | 28420-ZH8-013   | REEL, RECOIL STARTER (NATURAL)     | 1       | 8805657        |
| 006 | 28422-ZH8-013   | RATCHET, STARTER                   | 2       | 8805657        |
| 007 | 28433-ZH8-003   | GUIDE, RATCHET                     | 1       | 8805657        |
| 008 | 28441-ZH8-003   | SPRING, FRICTION                   | 1       | 8805657        |
| 009 | 28442-ZH8-003   | SPRING, RECOIL STARTER             | 1       | 8805657        |
| 010 | 28443-ZH8-003   | SPRING, RETURN                     | 2       | 8805657        |
| 011 | 28461-ZH8-003   | GRIP, STARTER                      | 1       | 8805657        |
| 012 | 28462-ZH8-003   | ROPE, RECOIL STARTER               | 1       | 8805657        |
| 013 | 90003-ZH8-003   | SCREW, SETTING                     | 1       | 8805657        |
| 014 | 90008-ZE2-003   | BOLT, FLANGE, 6X10                 | 3       | 8805657        |

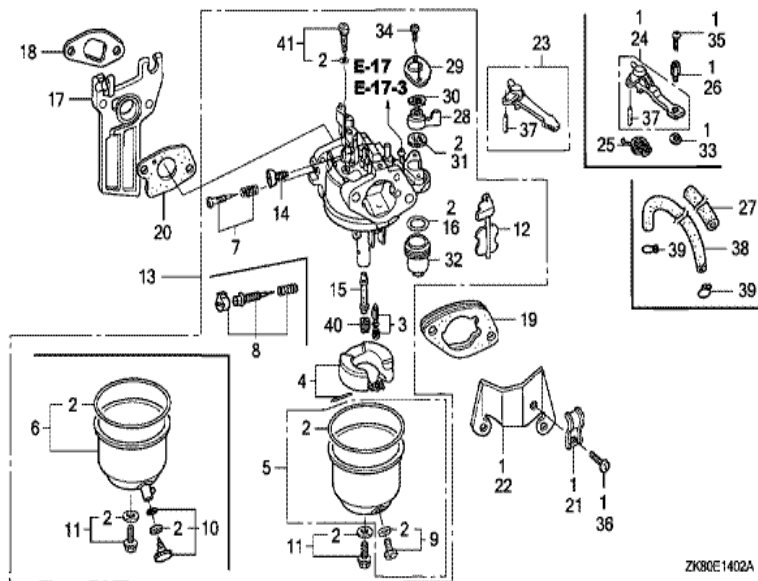


ZK80-E1103A

| Ref | Partnumber      | Description                        | GX160K1 | Serial Numbers |
|-----|-----------------|------------------------------------|---------|----------------|
| 001 | 28400-ZH8-023YA | STARTER ASSY., RECOIL *R280 *      | 1       | 8805658        |
| 002 | 28410-ZH8-003YA | CASE COMP., RECOIL STARTER *R280 * | 1       | 8805658        |
| 003 | 28421-ZH8-801   | REEL, RECOIL STARTER (BLACK)       | 1       | 8805658        |
| 004 | 28422-ZH8-801   | RATCHET, STARTER                   | 2       | 8805658        |
| 005 | 28431-ZH8-801   | PLATE, FRICTION                    | 1       | 8805658        |
| 006 | 28433-ZH8-801   | GUIDE, RATCHET                     | 1       | 8805658        |
| 007 | 28441-ZH8-801   | SPRING, FRICTION                   | 1       | 8805658        |
| 008 | 28442-ZH8-003   | SPRING, RECOIL STARTER             | 1       | 8805658        |
| 009 | 28443-ZH8-801   | SPRING, RETURN                     | 2       | 8805658        |
| 010 | 28461-ZH8-003   | GRIP, STARTER                      | 1       | 8805658        |
| 011 | 28462-ZH8-003   | ROPE, RECOIL STARTER               | 1       | 8805658        |
| 012 | 90003-ZH8-801   | SCREW, SETTING                     | 1       | 8805658        |
| 013 | 90008-ZE2-003   | BOLT, FLANGE, 6X10                 | 3       | 8805658        |



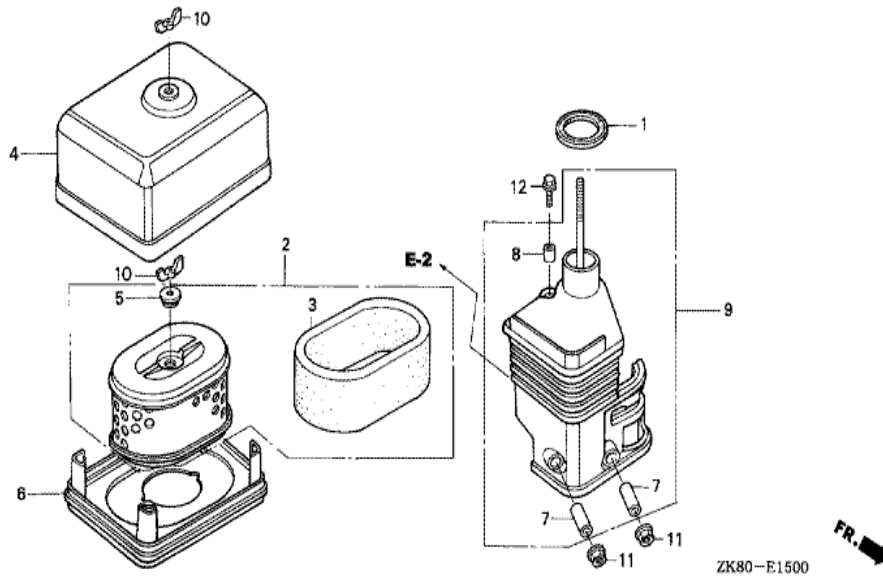
| Ref | Partnumber      | Description                              | GX160K1 | Serial Numbers |
|-----|-----------------|--|---------|----------------|
| 005 | 19610-ZE1-830ZG | COVER COMP., FAN (STARTER MOTOR) *R280 * | 1       |                |
| 007 | 19612-ZH8-840   | PLATE, SIDE (STARTER MOTOR)              | 1       |                |
| 009 | 19630-ZH8-000   | SHROUD COMP.                             | 1       |                |
| 021 | 90013-883-000   | BOLT, FLANGE, 6X12 (CT200)               | 6       |                |
| 022 | 90121-952-000   | BOLT, FLANGE, 6X25 (CT200)               | 1       |                |



ZK80E1402A

FR. →

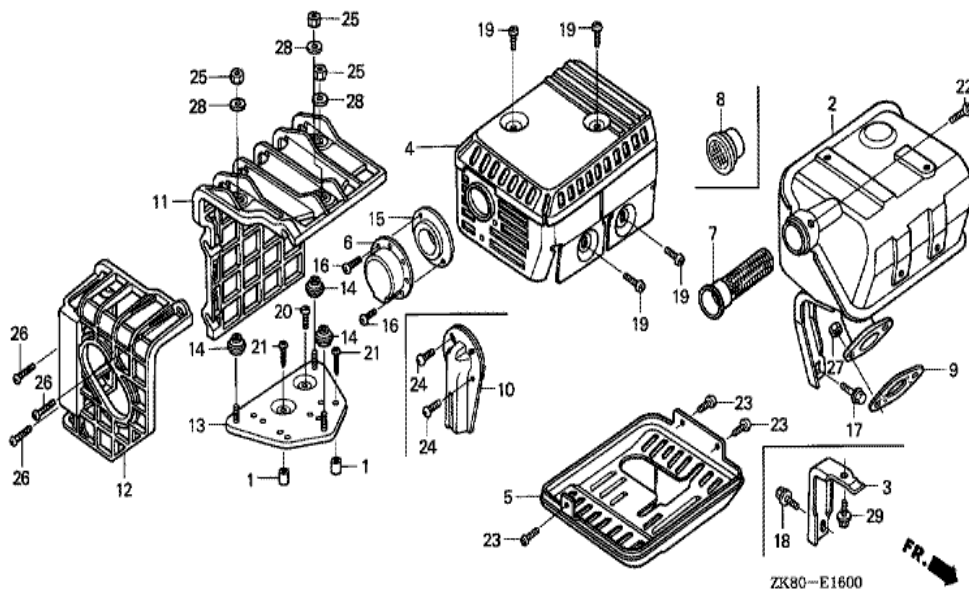
| Ref | Partnumber    | Description                  | GX160K1 | Serial Numbers |
|-----|---------------|------------------------------|---------|----------------|
| 002 | 16010-ZE1-812 | GASKET SET                   | 1       |                |
| 003 | 16011-ZE0-005 | VALVE SET, FLOAT             | 1       |                |
| 004 | 16013-ZE0-005 | FLOAT SET                    | 1       |                |
| 005 | 16015-ZE0-831 | CHAMBER SET, FLOAT           | 1       |                |
| 008 | 16016-ZH7-W01 | SCREW SET, PILOT             | 1       |                |
| 009 | 16024-ZE1-811 | SCREW SET, DRAIN             | 1       |                |
| 011 | 16028-ZE0-005 | SCREW SET                    | 1       |                |
| 012 | 16044-ZE0-005 | CHOKE SET                    | 1       |                |
| 013 | 16100-ZH8-W51 | CARBURETOR ASSY. (BE65B B/C) | 1       |                |
| 014 | 16124-ZE0-005 | SCREW, THROTTLE STOP         | 1       |                |
| 015 | 16166-ZH8-W50 | NOZZLE, MAIN                 | 1       |                |
| 016 | 16173-001-004 | PACKING, FUEL STRAINER CUP   | 1       |                |
| 017 | 16211-ZE1-000 | INSULATOR, CARBURETOR        | 1       |                |
| Ref | Partnumber    | Description                  | GX160K1 | Serial Numbers |
| 018 | 16212-ZH8-800 | PACKING, INSULATOR           | 1       |                |
| 019 | 16220-ZE1-020 | SPACER COMP., CARBURETOR     | 1       |                |
| 020 | 16221-ZH8-801 | PACKING, CARBURETOR          | 1       |                |
| 023 | 16610-ZE1-000 | LEVER COMP., CHOKE (STD.)    | 1       |                |
| 028 | 16953-ZE1-812 | LEVER, COCK                  | 1       |                |
| 029 | 16954-ZE1-812 | PLATE, LEVER SETTING         | 1       |                |
| 030 | 16956-ZE1-811 | SPRING, COCK LEVER           | 1       |                |
| 031 | 16957-ZE1-812 | PACKING, FUEL COCK           | 1       |                |
| 032 | 16967-ZE0-811 | CUP, FUEL STRAINER           | 1       |                |
| 034 | 93500-030061H | SCREW, PAN, 3X6              | 2       |                |
| 037 | 94305-20122   | PIN, SPRING, 2X12            | 1       |                |
| 040 | 99101-ZH80650 | JET, MAIN, #65               | 1       |                |
| 040 | 99101-ZH80680 | JET, MAIN, #68               | 1       |                |
| 040 | 99101-ZH80700 | JET, MAIN, #70               | 1       |                |
| 041 | 99204-ZE00350 | JET SET, PILOT, #35          | 1       |                |



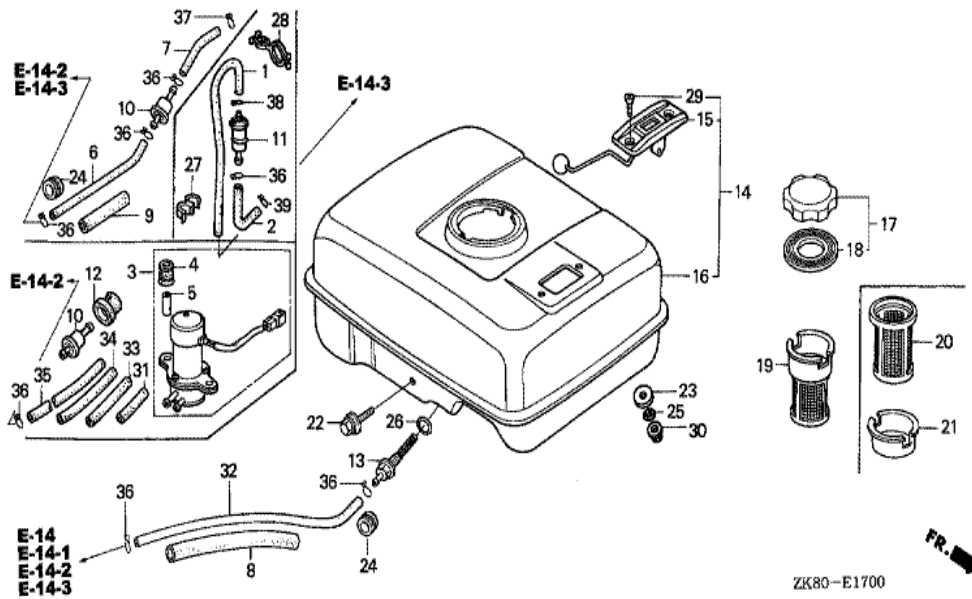
ZK80-E1500

FR. →

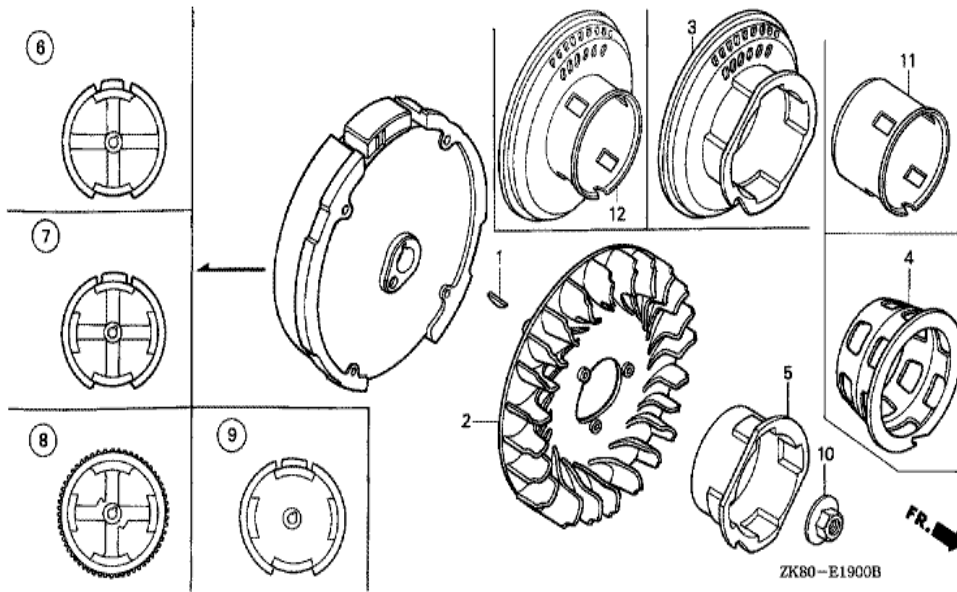
| <u>Ref</u> | <u>Partnumber</u> | <u>Description</u>          | <u>GX160K1</u> | <u>Serial Numbers</u> |
|------------|-------------------|-----------------------------|----------------|-----------------------|
| 001        | 16271-ZE1-000     | PACKING, ELBOW              | 1              |                       |
| 002        | 17210-ZE1-822     | ELEMENT, AIR CLEANER (DUAL) | 1              |                       |
| 003        | 17218-ZE1-821     | FILTER, OUTER               | 1              |                       |
| 004        | 17230-ZE1-820     | COVER, AIR CLEANER (DUAL)   | 1              |                       |
| 005        | 17232-891-000     | GROMMET, AIR CLEANER        | 1              |                       |
| 007        | 17238-ZE7-010     | COLLAR, AIR CLEANER         | 2              |                       |
| 008        | 17239-ZE1-000     | COLLAR B, AIR CLEANER       | 1              |                       |
| 009        | 17410-ZE1-020     | ELBOW COMP., AIR CLEANER    | 1              |                       |
| 010        | 90325-044-000     | NUT, TOOL BOX SETTING       | 2              |                       |
| 011        | 94050-06000       | NUT, FLANGE, 6MM            | 2              |                       |
| 012        | 95701-0602000     | BOLT, FLANGE, 6X20          | 1              |                       |



| Ref | Partnumber    | Description                       | GX160K1 | Serial Numbers |
|-----|---------------|-----------------------------------|---------|----------------|
| 001 | 17233-896-701 | COLLAR, AIR CLEANER CASE          | (2)     |                |
| 002 | 18310-ZF1-000 | MUFFLER COMP. (STD.)              | 1       |                |
| 004 | 18320-ZF1-H01 | PROTECTOR, MUFFLER (STD.) (BLACK) | 1       |                |
| 009 | 18381-ZH8-800 | GASKET, MUFFLER                   | 1       |                |
| 011 | 18433-ZH8-W40 | COVER COMP., MUFFLER              | (1)     |                |
| 012 | 18434-ZH8-W40 | COVER COMP., RR. MUFFLER          | (1)     |                |
| 013 | 18436-ZH8-W40 | BASE COMP., MUFFLER COVER         | (1)     |                |
| 014 | 18466-ZH8-W40 | SPACER, MUFFLER COVER             | (3)     |                |
| 019 | 90050-ZE1-000 | SCREW, TAPPING, 5X8               | 4       |                |
| 020 | 90050-ZE1-000 | SCREW, TAPPING, 5X8               | (1)     |                |
| 021 | 90050-ZH8-W40 | SCREW, TAPPING, 5X25              | (2)     |                |
| 025 | 90302-KF9-900 | NUT, HEX., 5MM                    | (3)     |                |
| 026 | 93891-0602007 | SCREW-WASHER, 6X20                | (3)     |                |
| Ref | Partnumber    | Description                       | GX160K1 | Serial Numbers |
| 027 | 94001-080000S | NUT, HEX., 8MM                    | 2       |                |
| 028 | 94103-05700   | WASHER, PLAIN, 5MM                | (3)     |                |



| Ref | Partnumber      | Description                              | GX160K1 | Serial Numbers |
|-----|-----------------|--|---------|----------------|
| 008 | 16854-ZH8-000   | RUBBER, SUPPORTER (107MM)                | 1       |                |
| 013 | 16955-ZE1-000   | JOINT, FUEL TANK                         | 1       |                |
| 016 | 17510-ZE1-020ZA | TANK COMP., FUEL *NH31 *                 | 1       |                |
| 016 | 17510-ZE1-020ZF | TANK COMP., FUEL *NH1 *                  | 1       |                |
| 017 | 17620-ZOT-305   | CAP COMP., FUEL FILLER (CHROME PLATED)   | 1       |                |
| 018 | 17631-ZOT-812   | PACKING, FUEL FILLER CAP (39X62X3) (TOUY | 1       |                |
| 022 | 90004-ZH7-003   | BOLT, FLANGE, 6X29                       | 1       |                |
| 026 | 91353-671-004   | O-RING, 14MM (NOK)                       | 1       |                |
| 030 | 94050-06000     | NUT, FLANGE, 6MM                         | 2       |                |
| 032 | 95001-4514040   | TUBE, FUEL, 4.5X140 (95001-45001-60M)    | 1       |                |
| 036 | 95002-02080     | CLIP, TUBE (B8)                          | 2       |                |



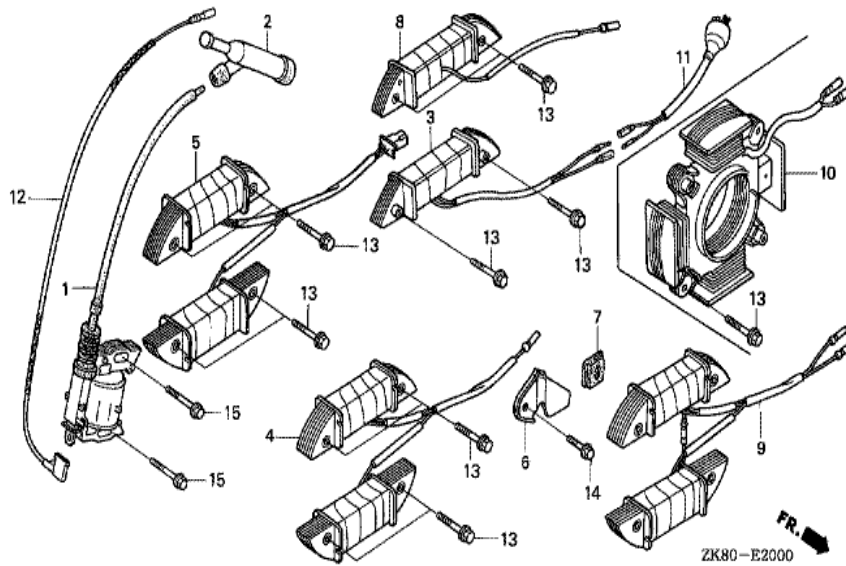
ZK80-E1900B

| Ref | Partnumber    | Description                    | GX160K1 | Serial Numbers |
|-----|---------------|--------------------------------|---------|----------------|
| 001 | 13331-357-000 | KEY, SPECIAL WOODRUFF, 25X18   | 1       |                |
| 002 | 19511-ZE1-000 | FAN, COOLING                   | 1       |                |
| 005 | 28451-ZH8-003 | PULLEY, STARTER                | 1       | 8805657        |
| 008 | 31100-ZE1-821 | FLYWHEEL COMP. (STARTER MOTOR) | 1       |                |
| 010 | 90201-878-003 | NUT, SPECIAL, 14MM             | 1       |                |
| 011 | 28451-ZH8-801 | PULLEY, STARTER                | 1       | 8805658        |

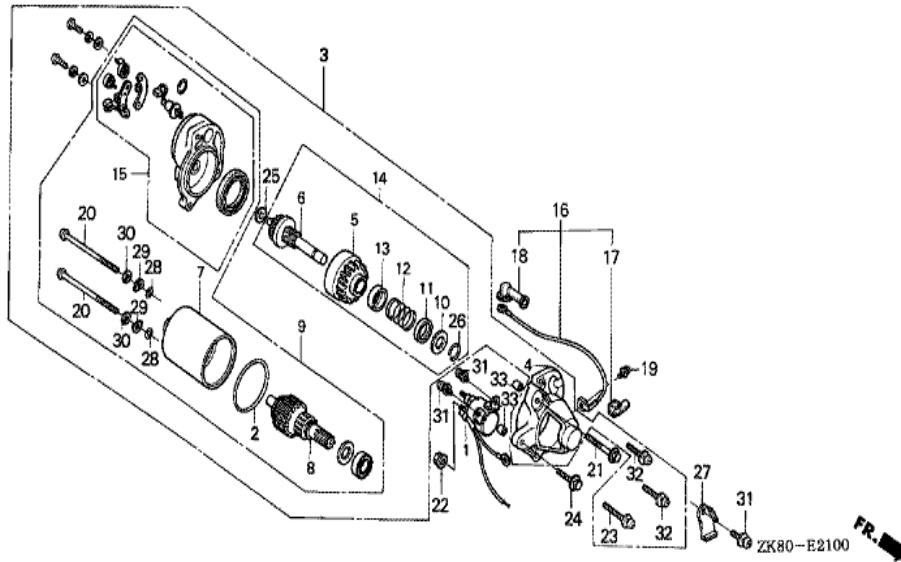




| Ref | Partnumber    | Description                    | GX160K1 | Serial Numbers |
|-----|---------------|--------------------------------|---------|----------------|
| 001 | 12204-ZE1-306 | GUIDE, IN. VALVE (OS)          | (1)     |                |
| 002 | 12205-ZE1-315 | GUIDE, EX. VALVE (OS)          | (1)     |                |
| 003 | 12210-ZH8-405 | HEAD COMP., CYLINDER           | 1       |                |
| 004 | 12216-ZE5-300 | CLIP, VALVE GUIDE              | 1       |                |
| 005 | 12251-ZF1-800 | GASKET, CYLINDER HEAD          | 1       |                |
| 006 | 12310-ZE1-020 | COVER COMP., HEAD              | 1       |                |
| 007 | 12391-ZE1-000 | PACKING, HEAD COVER            | 1       |                |
| 008 | 15721-ZH8-000 | TUBE, BREATHER                 | 1       |                |
| 009 | 90013-883-000 | BOLT, FLANGE, 6X12 (CT200)     | 4       |                |
| 010 | 90043-ZE1-020 | BOLT, STUD, 6X112              | 2       |                |
| 011 | 90047-ZE1-000 | BOLT, STUD, 8X32               | 2       |                |
| 012 | 94301-10160   | DOWEL PIN, 10X16               | 2       |                |
| 014 | 95723-0806000 | BOLT, FLANGE, 8X60             | 4       |                |
| Ref | Partnumber    | Description                    | GX160K1 | Serial Numbers |
| 015 | 98079-56846   | PLUG, SPARK (BPR6ES) (NGK)     | 1       |                |
| 015 | 98079-56855   | PLUG, SPARK (W20EPR-U) (DENSO) | 1       |                |

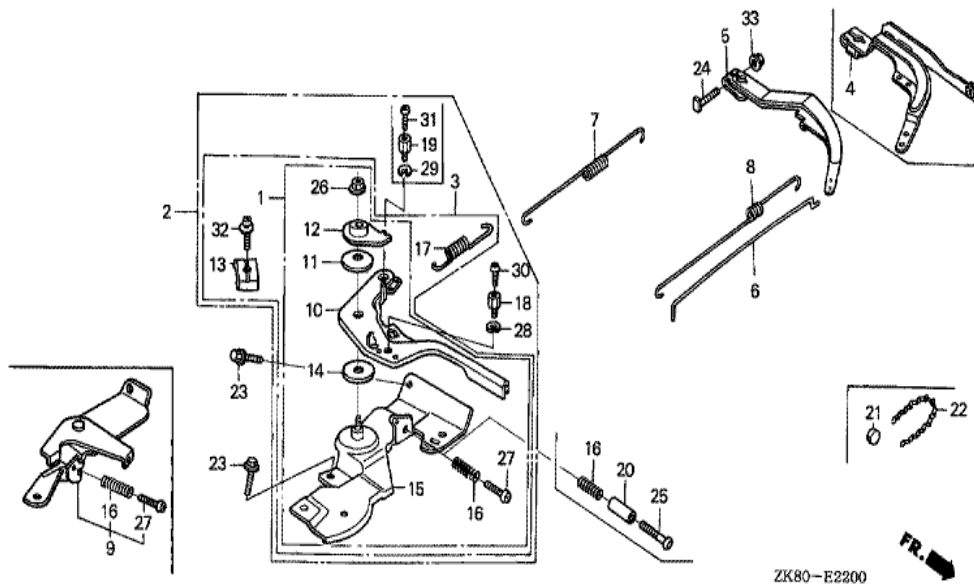


| Ref | Partnumber    | Description                               | GX160K1 | Serial Numbers |
|-----|---------------|---|---------|----------------|
| 001 | 30500-ZE1-043 | COIL ASSY., IGNITION                      | 1       | 8954625        |
| 001 | 30500-ZE1-053 | COIL ASSY., IGNITION                      | 1       | 8954626        |
| 002 | 30700-ZE1-013 | CAP ASSY., NOISE SUPPRESSOR (NICHIIWA Y-E | 1       |                |
| 006 | 31511-ZE1-000 | CLAMPER, CORD                             | 1       |                |
| 007 | 31512-ZE1-000 | GROMMET, CORD                             | 1       |                |
| 008 | 31630-ZE1-003 | COIL ASSY., CHARGE (1A)                   | 1       |                |
| 012 | 36101-ZB2-010 | CORD, STOP SWITCH (395MM)                 | 1       |                |
| 013 | 90015-883-000 | BOLT, FLANGE, 6X28 (CT200)                | 2       |                |
| 014 | 90019-883-000 | BOLT, FLANGE, 5X10                        | 1       |                |
| 015 | 90121-952-000 | BOLT, FLANGE, 6X25 (CT200)                | 2       |                |



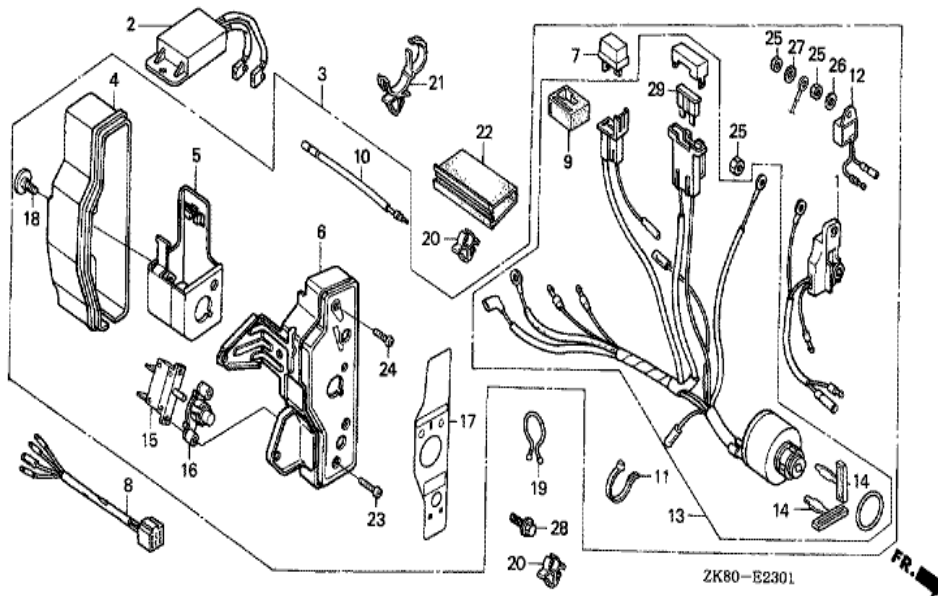
| Ref | Partnumber    | Description                            | GX160K1 | Serial Numbers |
|-----|---------------|--|---------|----------------|
| 001 | 31204-ZE1-003 | SWITCH COMP., STARTING MAGNET          | 1       |                |
| 002 | 31206-KN7-670 | O-RING                                 | 1       |                |
| 003 | 31210-ZE1-023 | MOTOR UNIT, STARTER (SM-11203) (162MM) | 1       |                |
| 004 | 31212-ZE1-003 | COVER COMP., GEAR                      | 1       |                |
| 005 | 31214-ZE1-003 | PINION ASSY.                           | 1       |                |
| 006 | 31215-ZE1-003 | SHAFT UNIT, GEAR                       | 1       |                |
| 007 | 31216-ZE1-003 | YOKE ASSY.                             | 1       |                |
| 008 | 31217-ZE1-013 | ROTOR ASSY.                            | 1       |                |
| 009 | 31220-ZE1-013 | MOTOR ONLY                             | 1       |                |
| 010 | 31221-ZE1-003 | PIECE A, STOPPER                       | 1       |                |
| 011 | 31222-ZE1-003 | PIECE B, STOPPER                       | 1       |                |
| 012 | 31223-ZE1-003 | SPRING, RETURN                         | 1       |                |
| 013 | 31224-ZE1-003 | COVER, SPRING                          | 1       |                |

| <u>Ref</u> | <u>Partnumber</u> | <u>Description</u>            | <u>GX160K1</u> | <u>Serial Numbers</u> |
|------------|-------------------|-------------------------------|----------------|-----------------------|
| 014        | 31230-ZE1-003     | GEAR ASSY.                    | 1              |                       |
| 015        | 31235-ZE1-013     | BRACKET COMP., FR.            | 1              |                       |
| 016        | 32410-ZE1-000     | CORD, MAGNET SWITCH           | 1              |                       |
| 017        | 32411-ZE1-000     | COVER, MAGNETIC SWITCH        | 1              |                       |
| 018        | 32411-253-000     | COVER, STARTER MOTOR TERMINAL | 1              |                       |
| 019        | 90010-ZE1-003     | SCREW-WASHER, 5X8             | 1              |                       |
| 020        | 90012-ZE1-003     | BOLT, SETTING                 | 2              |                       |
| 021        | 90017-883-000     | BOLT, FLANGE, 6X32 (CT200)    | 1              |                       |
| 022        | 90071-MB0-000     | NUT-WASHER, 6MM               | 2              |                       |
| 023        | 90115-GB4-700     | SCREW-WASHER, 5X30            | 1              |                       |
| 024        | 90121-952-000     | BOLT, FLANGE, 6X25 (CT200)    | 1              |                       |
| 025        | 90502-187-701     | WASHER, PINION                | 1              |                       |
| 026        | 90603-ZE1-003     | CIRCLIP, 10.2MM               | 1              |                       |
| 027        | 90631-ZE1-003     | HOLDER, HARNESS               | 1              |                       |
| 028        | 91301-ZE1-003     | O-RING                        | 2              |                       |
| 029        | 91402-ZE6-003     | WASHER, SPECIAL               | 2              |                       |
| 030        | 91403-ZE6-003     | WASHER, SPRING                | 2              |                       |
| 031        | 93892-0501408     | SCREW-WASHER, 5X14            | 3              |                       |
| 032        | 93892-0502008     | SCREW-WASHER, 5X20            | 2              |                       |
| 033        | 94301-08100       | DOWEL PIN, 8X10               | 2              |                       |

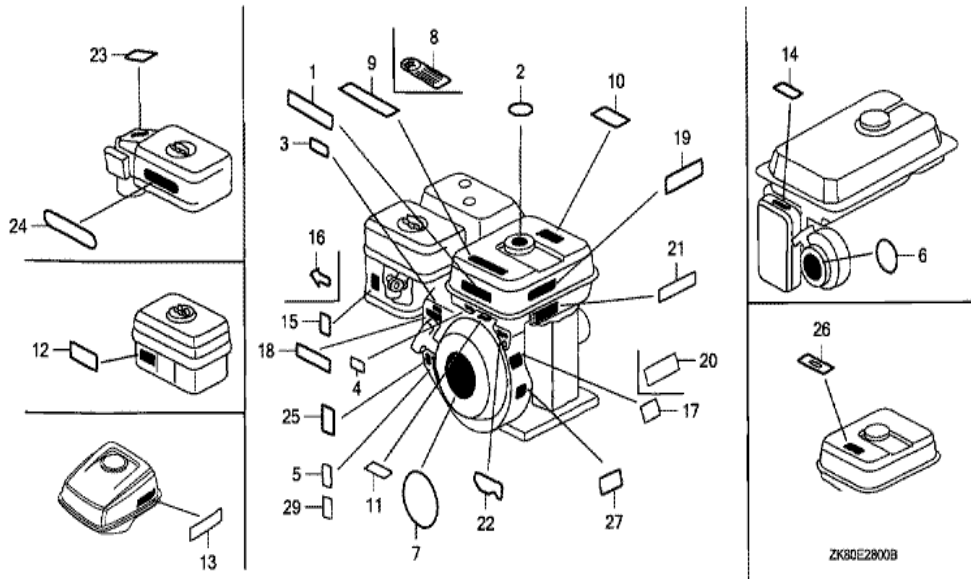


ZK80-E2200

| Ref | Partnumber    | Description                  | GX160K1 | Serial Numbers |
|-----|---------------|------------------------------|---------|----------------|
| 003 | 16500-ZH8-823 | CONTROL ASSY. (REMOTE)       | 1       |                |
| 005 | 16551-ZE0-010 | ARM, GOVERNOR                | 1       |                |
| 006 | 16555-ZE1-000 | ROD, GOVERNOR                | 1       |                |
| 007 | 16561-ZE1-020 | SPRING, GOVERNOR             | 1       |                |
| 008 | 16562-ZE1-020 | SPRING, THROTTLE RETURN      | 1       |                |
| 010 | 16571-ZH8-020 | LEVER, CONTROL               | 1       |                |
| 011 | 16574-ZE1-000 | SPRING, LEVER                | 1       |                |
| 012 | 16575-ZH8-000 | WASHER, CONTROL LEVER        | 1       |                |
| 013 | 16576-891-000 | HOLDER, CABLE                | 1       |                |
| 014 | 16578-ZE1-000 | SPACER, CONTROL LEVER        | 1       |                |
| 015 | 16580-ZH8-813 | BASE COMP., CONTROL (REMOTE) | 1       |                |
| 016 | 16584-883-300 | SPRING, CONTROL ADJUSTING    | 1       |                |
| 017 | 16592-ZE1-810 | SPRING, CABLE RETURN         | 1       |                |
| Ref | Partnumber    | Description                  | GX160K1 | Serial Numbers |
| 020 | 16599-ZG1-M10 | COLLAR, STOPPER              | (1)     |                |
| 023 | 90013-883-000 | BOLT, FLANGE, 6X12 (CT200)   | 2       |                |
| 024 | 90015-ZE5-010 | BOLT, GOVERNOR ARM           | 1       |                |
| 025 | 90016-ZG9-N30 | SCREW, RECESSED, 5X25        | (1)     |                |
| 026 | 90114-SAO-000 | NUT, SELF-LOCK, 6MM          | 1       |                |
| 027 | 93500-050250H | SCREW, PAN, 5X25             | 1       |                |
| 032 | 93500-050160A | SCREW, PAN, 5X16             | 1       |                |
| 033 | 94050-06000   | NUT, FLANGE, 6MM             | 1       |                |

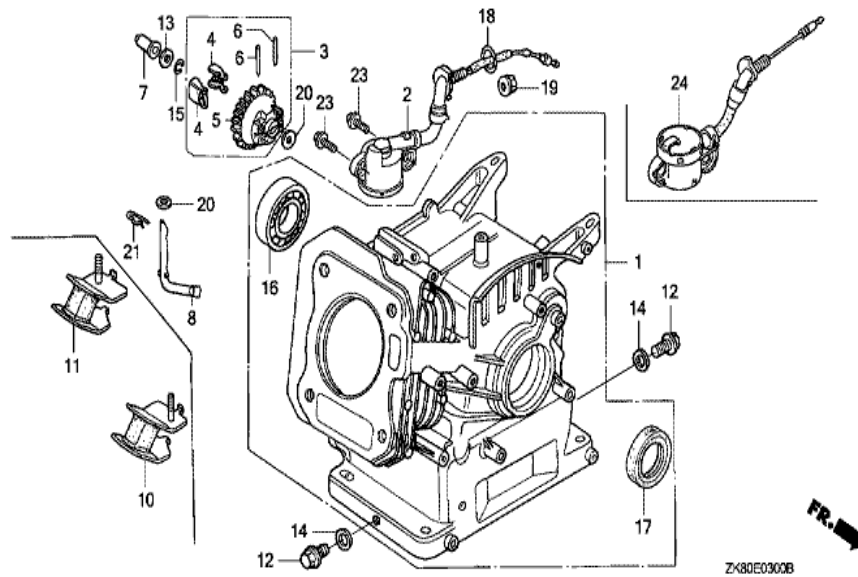


| Ref | Partnumber      | Description                              | GX160K1 | Serial Numbers |
|-----|-----------------|--|---------|----------------|
| 003 | 31610-ZK8-W42ZF | BOX ASSY., CONTROL (EXTERNAL-ALERT) *R28 | 1       |                |
| 004 | 31612-ZE2-003   | CASE, CONTROL                            | 1       |                |
| 005 | 31614-ZE2-003   | BRACKET, CASE MOUNTING                   | 1       |                |
| 006 | 31615-ZE1-003ZG | PANEL COMP., CONTROL *R280 *             | 1       |                |
| 007 | 31700-124-008   | RECTIFIER ASSY., SILICON (SHINDENGEN)    | 1       |                |
| 009 | 32127-738-700   | SUSPENSION, COUPLER                      | 1       |                |
| 010 | 32197-ZE1-003   | HARNESS, SUB WIRE                        | 1       |                |
| 011 | 32902-892-003   | BAND                                     | 1       |                |
| 012 | 34150-ZH7-003   | ALERT UNIT, OIL                          | 1       |                |
| 013 | 35100-ZE1-812   | SWITCH ASSY., COMBINATION                | 1       |                |
| 014 | 35111-880-003   | KEY COMP.                                | 2       |                |
| 014 | 35111-880-013   | KEY COMP. (HONDA LOCK)                   | 2       | 8808887        |
| 015 | 38240-VA3-900   | PROTECTOR, CIRCUIT (1.0A)                | 1       |                |
| Ref | Partnumber      | Description                              | GX160K1 | Serial Numbers |
| 016 | 38250-ZA8-701   | LENS ASSY., PROTECTOR                    | 1       |                |
| 017 | 87529-ZH9-W41   | MARK, CONTROL BOX (ENGLISH)              | 1       |                |
| 018 | 90380-MA6-010   | SCREW, SPECIAL, 6X12                     | 1       |                |
| 019 | 90630-751-000   | CLIP, PURSE LOCK                         | 1       |                |
| 020 | 90682-ZE1-000   | CLIP, CORD                               | 2       |                |
| 021 | 90690-SA0-003   | STRAP, WIRE HARNESS, 25MM (BLACK)        | 1       |                |
| 022 | 91406-ZE2-003   | TUBE, FASTENER, 30MM                     | 1       |                |
| 023 | 93500-030120H   | SCREW, PAN, 3X12                         | 2       |                |
| 024 | 93500-040120H   | SCREW, PAN, 4X12                         | 1       |                |
| 025 | 94001-043900S   | NUT, HEX., 4MM                           | 2       |                |
| 026 | 94101-04800     | WASHER, PLAIN, 4MM                       | 1       |                |
| 027 | 94111-04800     | WASHER, SPRING, 4MM                      | 1       |                |
| 028 | 95701-0601000   | BOLT, FLANGE, 6X10                       | 1       |                |
| 029 | 98200-30500     | FUSE, BLADE (5A)                         | 1       |                |



ZK80E2800B

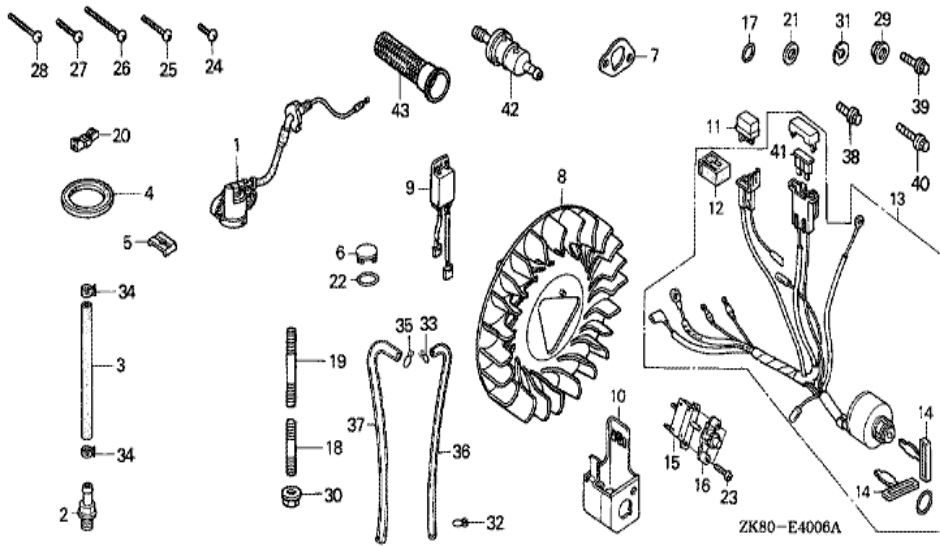
| Ref | Partnumber    | Description                | GX160K1 | Serial Numbers |
|-----|---------------|----------------------------|---------|----------------|
| 004 | 87135-ZE2-020 | LABEL, E-SPEC (15.5X27.5)  | 1       |                |
| 007 | 87521-ZH8-030 | EMBLEM (GX160 5.5)         | 1       |                |
| 010 | 87522-ZH8-W41 | MARK, CAUTION (PICTOGRAPH) | 1       |                |
| 015 | 87528-733-E90 | MARK, CHOKE (H=36)         | 1       | 8759179        |
| 015 | 87528-733-E91 | MARK, CHOKE (H=34)         | 1       | 8759180        |
| 018 | 87532-ZH8-W40 | MARK, THROTTLE INDICATION  | 1       |                |



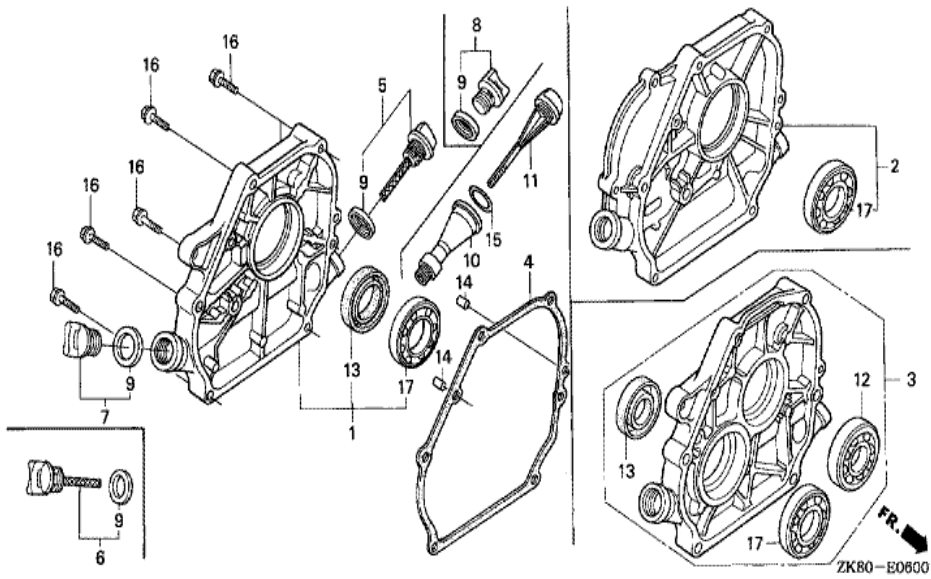
Z480E03008

| Ref | Partnumber    | Description                          | GX160K1 | Serial Numbers |
|-----|---------------|--------------------------------------|---------|----------------|
| 001 | 12000-ZH8-426 | BARREL ASSY., CYLINDER (OIL ALERT)   | 1       |                |
| 002 | 15510-ZE1-033 | SWITCH ASSY., OIL LEVEL              | 1       |                |
| 003 | 16510-ZE1-000 | GOVERNOR ASSY.                       | 1       |                |
| 004 | 16511-ZE1-000 | WEIGHT, GOVERNOR                     | 2       |                |
| 005 | 16512-ZE1-000 | HOLDER, GOVERNOR WEIGHT              | 1       |                |
| 006 | 16513-ZE1-000 | PIN, GOVERNOR WEIGHT                 | 2       |                |
| 007 | 16531-ZE1-000 | SLIDER, GOVERNOR                     | 1       |                |
| 008 | 16541-ZE1-000 | SHAFT, GOVERNOR ARM                  | 1       |                |
| 012 | 90131-ZE1-000 | BOLT, DRAIN PLUG                     | 2       |                |
| 013 | 90451-ZE1-000 | WASHER, THRUST, 6MM                  | 1       |                |
| 014 | 90601-ZE1-000 | WASHER, DRAIN PLUG, 10.2MM           | 2       |                |
| 015 | 90602-ZE1-000 | CLIP, GOVERNOR HOLDER                | 1       |                |
| 016 | 91001-ZF1-003 | BEARING, RADIAL BALL (6205TMB) (NTN) | 1       |                |
| Ref | Partnumber    | Description                          | GX160K1 | Serial Numbers |
| 016 | 91001-ZF1-004 | BEARING, RADIAL BALL (6205SH) (KOYO) | 1       |                |
| 017 | 91201-Z0T-801 | OIL SEAL, 25X41X6 (NOK)              | 1       |                |
| 018 | 91353-671-004 | O-RING, 14MM (NOK)                   | 1       |                |
| 019 | 94050-10000   | NUT, FLANGE, 10MM                    | 1       |                |
| 020 | 94101-06800   | WASHER, PLAIN, 6MM                   | 2       |                |
| 021 | 94251-08000   | PIN, LOCK, 8MM                       | 1       |                |
| 023 | 95701-0601200 | BOLT, FLANGE, 6X12                   | 2       |                |

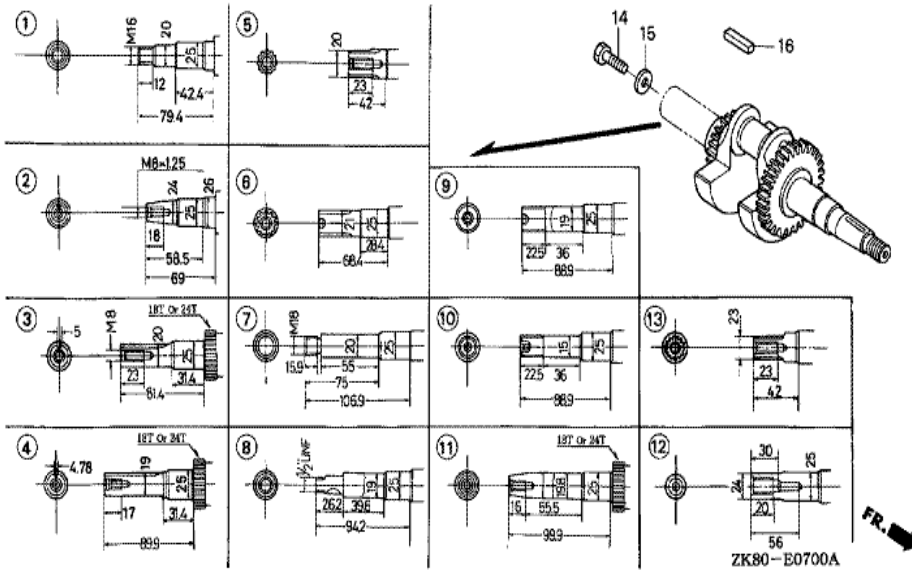




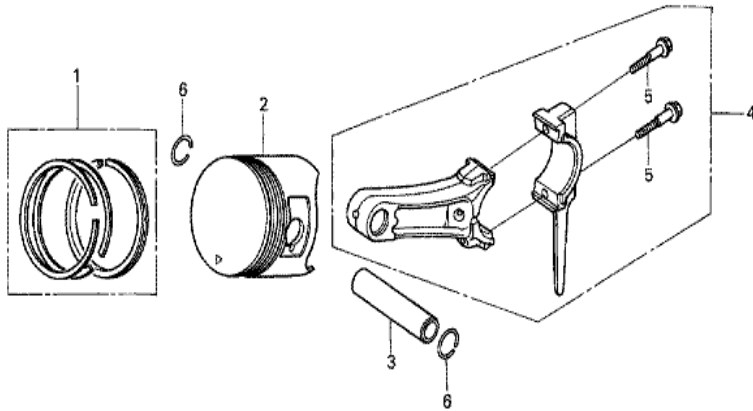
| Ref | Partnumber    | Description            | GX160K1 | Serial Numbers |
|-----|---------------|------------------------|---------|----------------|
| 014 | 35111-880-013 | KEY COMP. (HONDA LOCK) |         | 2              |



| Ref | Partnumber    | Description                        | GX160K1 | Serial Numbers |
|-----|---------------|------------------------------------|---------|----------------|
| 001 | 11300-ZE1-634 | COVER ASSY., CRANKCASE             | 1       |                |
| 004 | 11381-ZH8-801 | PACKING, CASE COVER (NON ASBESTOS) | 1       |                |
| 005 | 15600-ZE1-003 | CAP ASSY., OIL FILLER (GRAY)       | 1       |                |
| 007 | 15600-ZG4-003 | CAP ASSY., OIL FILLER              | 1       |                |
| 009 | 15625-ZE1-003 | PACKING, OIL FILLER CAP            | 2       |                |
| 013 | 91201-ZOT-801 | OIL SEAL, 25X41X6 (NOK)            | 1       |                |
| 014 | 94301-08140   | DOWEL PIN, 8X14                    | 2       |                |
| 016 | 95701-0803200 | BOLT, FLANGE, 8X32                 | 6       |                |
| 017 | 96100-6205000 | BEARING, RADIAL BALL, 6205         | 1       |                |



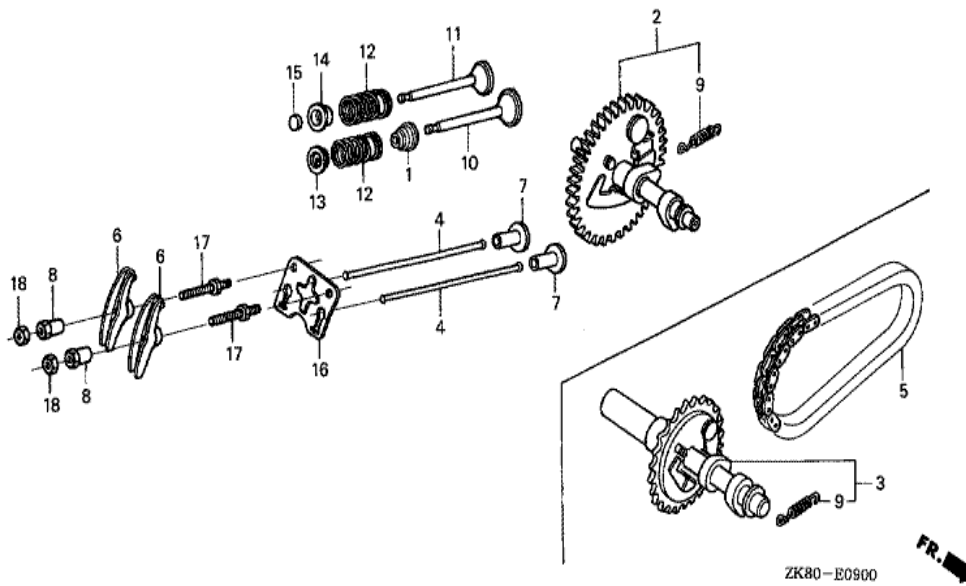
| Ref | Partnumber    | Description            | GX160K1 | Serial Numbers |
|-----|---------------|------------------------|---------|----------------|
| 003 | 13310-ZE1-000 | CRANKSHAFT COMP. (24T) | 1       |                |
| 016 | 90741-883-810 | KEY, 5X5X33 (YELLOW)   | 1       |                |



ZK80-E0800



| <u>Ref</u> | <u>Partnumber</u> | <u>Description</u>                      | <u>GX160K1</u> | <u>Serial Numbers</u> |
|------------|-------------------|---|----------------|-----------------------|
| 001        | 13010-ZL0-003     | RING SET, PISTON (STD.) (TEIKOKU)       | 1              |                       |
| 001        | 13010-ZL0-004     | RING SET, PISTON (STD.) (NIPPON)        | 1              |                       |
| 001        | 13011-ZL0-003     | RING SET, PISTON (0.25) (TEIKOKU)       | (1)            |                       |
| 001        | 13011-ZL0-004     | RING SET, PISTON (0.25) (NIPPON)        | (1)            |                       |
| 001        | 13012-ZL0-003     | RING SET, PISTON (0.50) (TEIKOKU)       | (1)            |                       |
| 001        | 13012-ZL0-004     | RING SET, PISTON (0.50) (NIPPON)        | (1)            |                       |
| 001        | 13013-ZL0-003     | RING SET, PISTON (0.75) (TEIKOKU)       | (1)            |                       |
| 001        | 13013-ZL0-004     | RING SET, PISTON (0.75) (NIPPON)        | (1)            |                       |
| 002        | 13101-ZH8-010     | PISTON (STD.)                           | 1              |                       |
| 002        | 13102-ZH8-010     | PISTON (0.25)                           | (1)            |                       |
| 002        | 13103-ZH8-010     | PISTON (0.50)                           | (1)            |                       |
| 002        | 13104-ZH8-010     | PISTON (0.75)                           | (1)            |                       |
| 003        | 13111-ZE1-000     | PIN, PISTON                             | 1              |                       |
| <u>Ref</u> | <u>Partnumber</u> | <u>Description</u>                      | <u>GX160K1</u> | <u>Serial Numbers</u> |
| 004        | 13200-ZE1-010     | ROD ASSY., CONNECTING (STD.)            | 1              |                       |
| 004        | 132A0-ZE1-000     | ROD ASSY., CONNECTING (0.25 UNDER SIZE) | (1)            |                       |
| 005        | 90001-ZE1-000     | BOLT, CONNECTING ROD                    | 2              |                       |
| 006        | 90551-ZE1-000     | CLIP, PISTON PIN, 18MM                  | 2              |                       |



ZK80-E0900



| Ref | Partnumber    | Description                | GX160K1 | Serial Numbers |
|-----|---------------|----------------------------|---------|----------------|
| 001 | 12209-ZH8-003 | SEAL, VALVE STEM           | 1       |                |
| 002 | 14100-ZE1-812 | CAMSHAFT ASSY.             | 1       |                |
| 004 | 14410-ZE1-010 | ROD, PUSH                  | 2       |                |
| 006 | 14431-ZE1-000 | ARM, VALVE ROCKER          | 2       |                |
| 007 | 14441-ZE1-010 | LIFTER, VALVE              | 2       |                |
| 008 | 14451-ZE1-013 | PIVOT, ROCKER ARM          | 2       |                |
| 009 | 14568-ZE1-000 | SPRING, WEIGHT RETURN      | 1       |                |
| 010 | 14711-ZF1-000 | VALVE, IN.                 | 1       |                |
| 011 | 14721-ZF1-000 | VALVE, EX.                 | 1       |                |
| 012 | 14751-ZF1-000 | SPRING, VALVE              | 2       |                |
| 013 | 14771-ZE1-000 | RETAINER, IN. VALVE SPRING | 1       |                |
| 014 | 14773-ZE1-000 | RETAINER, EX. VALVE SPRING | 1       |                |
| 015 | 14781-ZE1-000 | ROTATOR, VALVE             | 1       |                |
| Ref | Partnumber    | Description                | GX160K1 | Serial Numbers |
| 016 | 14791-ZE1-010 | PLATE, PUSH ROD GUIDE      | 1       |                |
| 017 | 90012-ZE0-010 | BOLT, PIVOT, 8MM           | 2       |                |
| 018 | 90206-ZE1-000 | NUT, PIVOT ADJUSTING       | 2       |                |