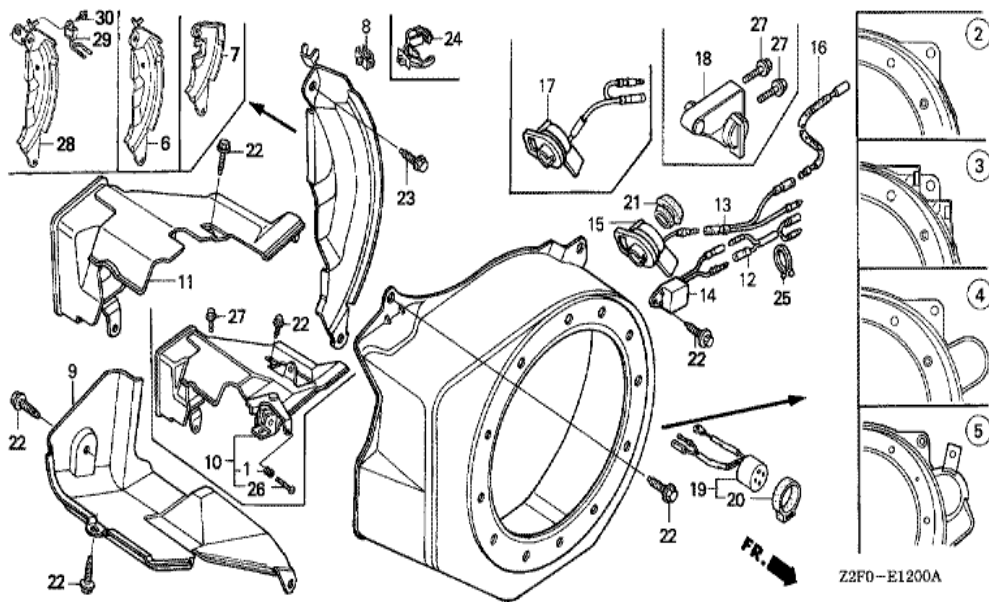
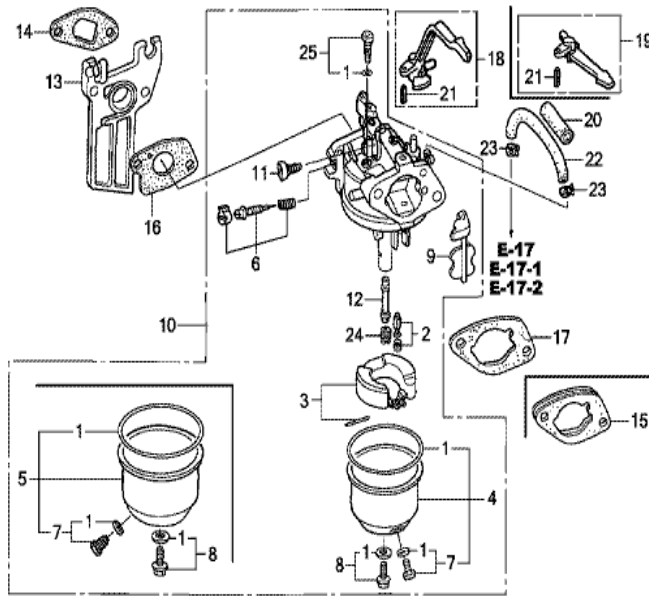


<u>Ref</u>	<u>Partnumber</u>	<u>Description</u>	<u>GX160K1</u>	<u>Serial Numbers</u>
001	28400-Z0T-003ZB	STARTER ASSY., RECOIL *R280*	1	1721558
001	28400-ZH8-023YA	STARTER ASSY., RECOIL *R280 *	1	
001	28400-ZH8-023YA	STARTER ASSY., RECOIL *R280 *	1	1625955
001	28400-ZH8-033YA	STARTER ASSY., RECOIL *R280*	(1)	1625956
001	28400-ZH8-033YA	STARTER ASSY., RECOIL *R280*	1	1625956 1721557
004	28410-ZH8-003YA	CASE COMP., RECOIL STARTER *R280 *	1	
005	28421-Z0T-003	REEL, RECOIL STARTER	1	1721558
005	28421-ZH8-801	REEL, RECOIL STARTER (BLACK)	1	1052605
005	28421-ZH8-801	REEL, RECOIL STARTER (BLACK)	1	1721557
006	28422-ZH8-801	RATCHET, STARTER	2	
007	28431-ZH8-801	PLATE, FRICTION	1	
008	28433-ZH8-801	GUIDE, RATCHET	1	
009	28441-ZH8-801	SPRING, FRICTION	1	
<u>Ref</u>	<u>Partnumber</u>	<u>Description</u>	<u>GX160K1</u>	<u>Serial Numbers</u>
010	28442-ZH8-003	SPRING, RECOIL STARTER	1	
011	28443-ZH8-801	SPRING, RETURN	2	
012	28461-ZH8-003	GRIP, STARTER	1	
012	28461-ZH8-003	GRIP, STARTER	1	1625955
012	28461-ZH8-013	KNOB, RECOIL STARTER	(1)	1625956
012	28461-ZH8-013	KNOB, RECOIL STARTER	1	1625956
013	28462-ZH8-003	ROPE, RECOIL STARTER	1	
015	90003-ZH8-801	SCREW, SETTING	1	
016	90008-ZE2-003	BOLT, FLANGE, 6X10	3	



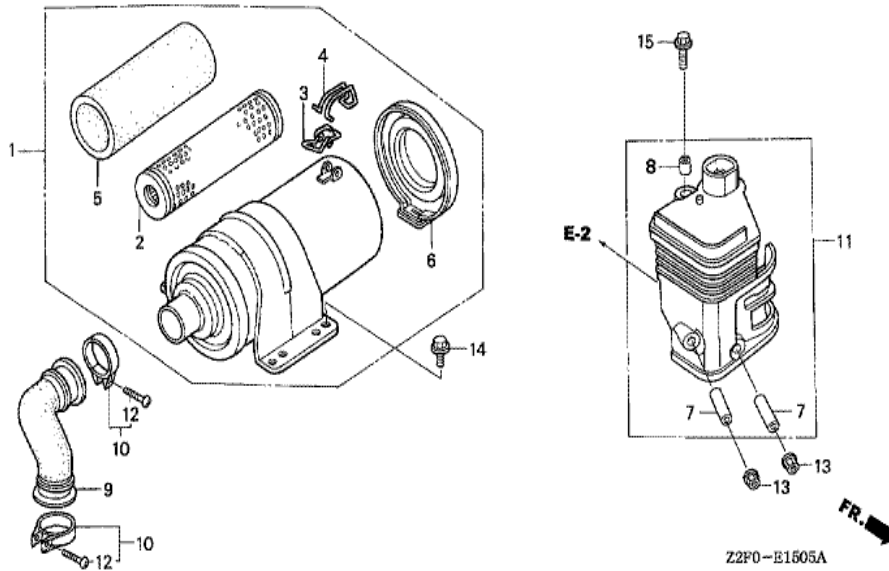
Z3F0-E1200A

Ref	Partnumber	Description	GX160K1	Serial Numbers
002	19610-ZK8-V00ZD	COVER COMP., FAN *R280 *	1	
002	19610-ZK8-V00ZD	COVER COMP., FAN *R280 *	1	
006	19612-ZK8-V00	PLATE, SIDE	1	
006	19612-ZK8-V00	PLATE, SIDE	1	
015	36100-ZE1-015	SWITCH ASSY., ENGINE STOP	1	1085499
015	36100-ZE1-015	SWITCH ASSY., ENGINE STOP	1	
022	90013-883-000	BOLT, FLANGE, 6X12 (CT200)	4	
023	90022-888-010	BOLT, FLANGE, 6X20 (CT200)	1	

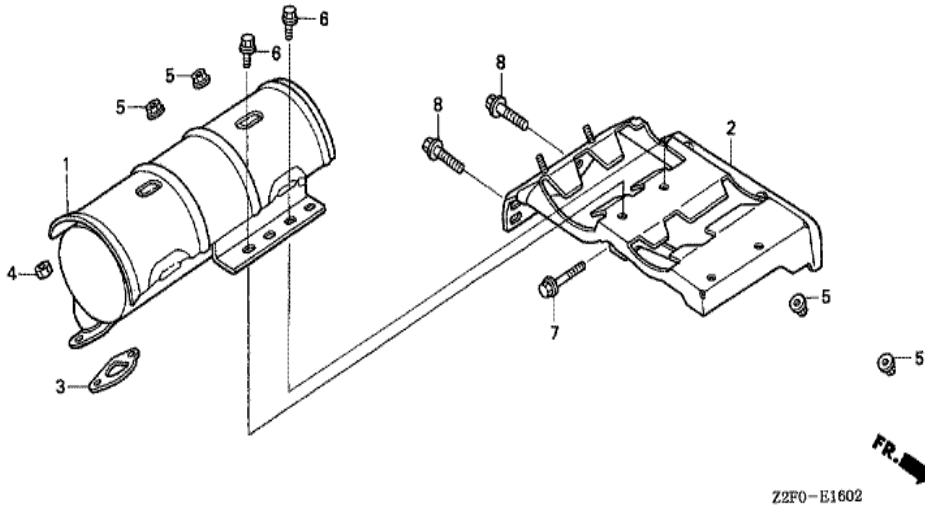


FR. →  
Z2F0E1403A

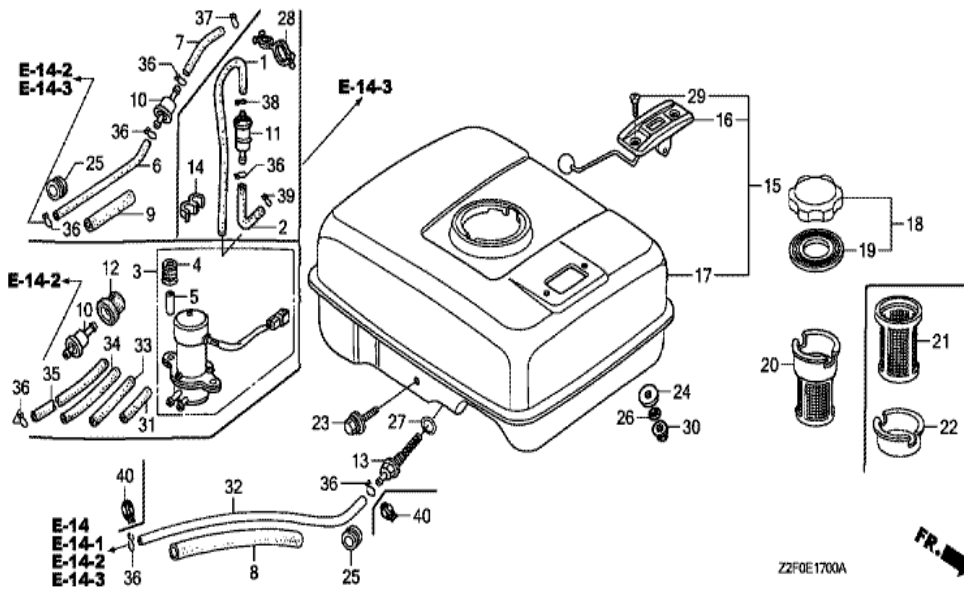
Ref	Partnumber	Description	GX160K1	Serial Numbers
001	16010-ZB1-015	GASKET SET	1	
002	16011-ZE0-005	VALVE SET, FLOAT	1	
003	16013-ZE0-005	FLOAT SET	1	
005	16015-ZE1-811	CHAMBER SET, FLOAT	1	
006	16016-ZH7-W01	SCREW SET, PILOT	1	
007	16024-ZE1-811	SCREW SET, DRAIN	1	
008	16028-ZE0-005	SCREW SET	1	
009	16044-ZK8-V00	CHOKE SET	1	
009	16044-ZK8-V00	CHOKE SET	1	
010	16100-ZK8-T51	CARBURETOR ASSY. (BE67C A)	1	
010	16100-ZK8-T51	CARBURETOR ASSY. (BE67C A)	1	
011	16124-ZE0-005	SCREW, THROTTLE STOP	1	
012	16166-ZK8-V01	NOZZLE, MAIN	1	
Ref	Partnumber	Description	GX160K1	Serial Numbers
012	16166-ZK8-V01	NOZZLE, MAIN	1	
013	16211-ZE1-000	INSULATOR, CARBURETOR	1	
014	16212-ZH8-800	PACKING, INSULATOR	1	
015	16220-ZE1-020	SPACER COMP., CARBURETOR	1	
016	16221-ZH8-801	PACKING, CARBURETOR	1	
019	16610-ZE1-000	LEVER COMP., CHOKE (STD.)	1	
020	16854-ZH8-000	RUBBER, SUPPORTER (107MM)	1	
021	94305-20122	PIN, SPRING, 2X12	1	
022	95001-4540060	TUBE, FUEL, 4.5X400 (95001-450 (95001-45	1	
023	95002-4080008	CLAMP, TUBE (D8)	2	
024	99101-ZH80620	JET, MAIN, #62	(1)	
024	99101-ZH80650	JET, MAIN, #65	(1)	
024	99101-ZH80680	JET, MAIN, #68	1	
025	99204-ZE20380	JET SET, PILOT, #38	1	
025	99204-ZE20380	JET SET, PILOT, #38	1	



Ref	Partnumber	Description	GX160K1	Serial Numbers
001	17200-ZK7-V01	CLEANER ASSY., AIR	1	
002	17210-ZK7-V01	ELEMENT COMP., AIR CLEANER	1	
003	17216-PM4-300	CLIP A, WIRE	1	
004	17217-PM4-300	CLIP B, WIRE	1	
005	17218-ZK7-V01	FILTER, OUTER	1	
006	17230-ZK7-V01	COVER COMP., AIR CLEANER	1	
007	17238-ZE7-010	COLLAR, AIR CLEANER	2	
008	17239-ZE1-000	COLLAR B, AIR CLEANER	1	
009	17251-ZE0-S10	TUBE, AIR CLEANER CONNECTING	1	
010	17255-758-000	BAND, AIR CLEANER CONNECTING TUBE	2	
011	17410-ZE1-P30	ELBOW COMP., AIR CLEANER	1	
012	93500-040200A	SCREW, PAN, 4X20	2	
013	94050-06000	NUT, FLANGE, 6MM	2	
Ref	Partnumber	Description	GX160K1	Serial Numbers
014	95701-0601600	BOLT, FLANGE, 6X16	2	
015	95701-0602000	BOLT, FLANGE, 6X20	1	

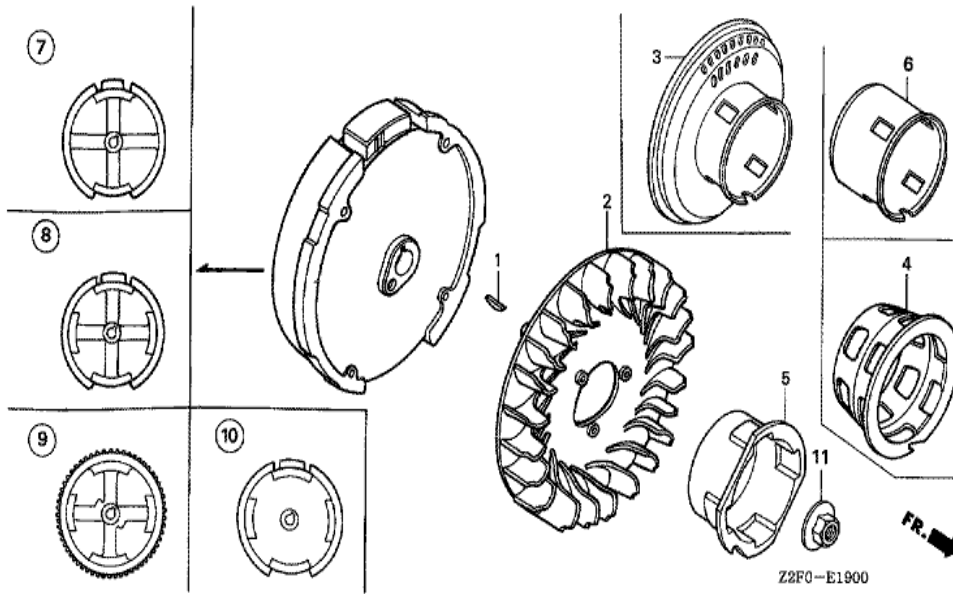


Ref	Partnumber	Description	GX160K1	Serial Numbers
001	18310-ZK7-V01	MUFFLER COMP.	1	
002	18338-ZK8-V01	STAY COMP., MUFFLER	1	
003	18381-ZH8-800	GASKET, MUFFLER	1	
004	94001-080000S	NUT, HEX., 8MM	2	
005	94050-06000	NUT, FLANGE, 6MM	4	
006	95701-0601600	BOLT, FLANGE, 6X16	2	
007	95701-0602500	BOLT, FLANGE, 6X25	1	
008	95701-0802000	BOLT, FLANGE, 8X20	2	



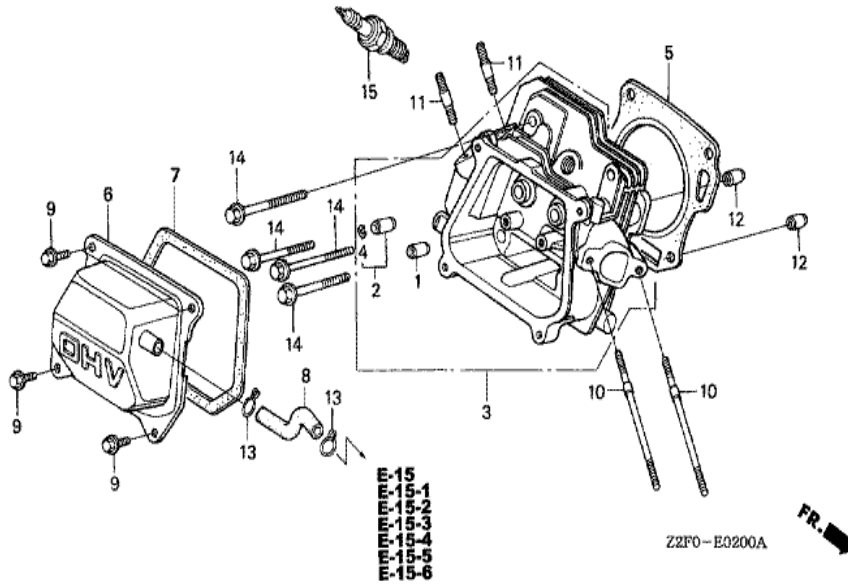
ZZF0E1700A

Ref	Partnumber	Description	GX160K1	Serial Numbers
001	16198-ZG0-U00	TUBE A, AIR VENT	1	
002	16199-KCR-000	TUBE	1	
011	16910-ZG0-U02	STRAINER COMP., FUEL	1	
014	17205-PC6-000	CLAMP, TUBE, 7.5X2	1	
028	91473-PA1-003	CLIP, WATER HOSE	1	
036	95002-02080	CLIP, TUBE (B8)	1	
038	95002-02100	CLIP, TUBE (B10)	1	
039	95002-50000	CLIP, TUBE (C9)	1	



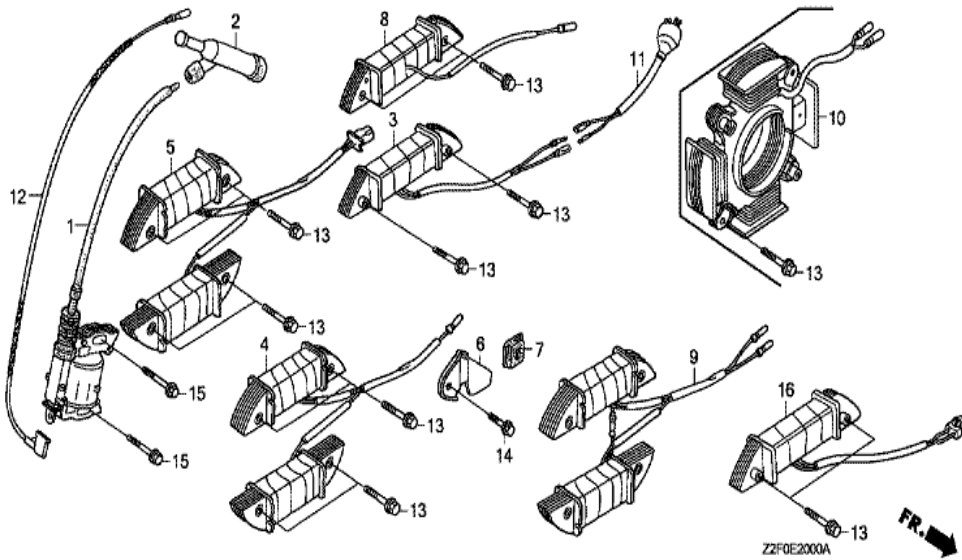
Z2F0-E1900

Ref	Partnumber	Description	GX160K1	Serial Numbers
001	13331-357-000	KEY, SPECIAL WOODRUFF, 25X18	1	
002	19511-ZE1-000	FAN, COOLING	1	
006	28451-ZH8-801	PULLEY, STARTER	1	
007	31100-ZE1-010	FLYWHEEL COMP.	1	
011	90201-878-003	NUT, SPECIAL, 14MM	1	

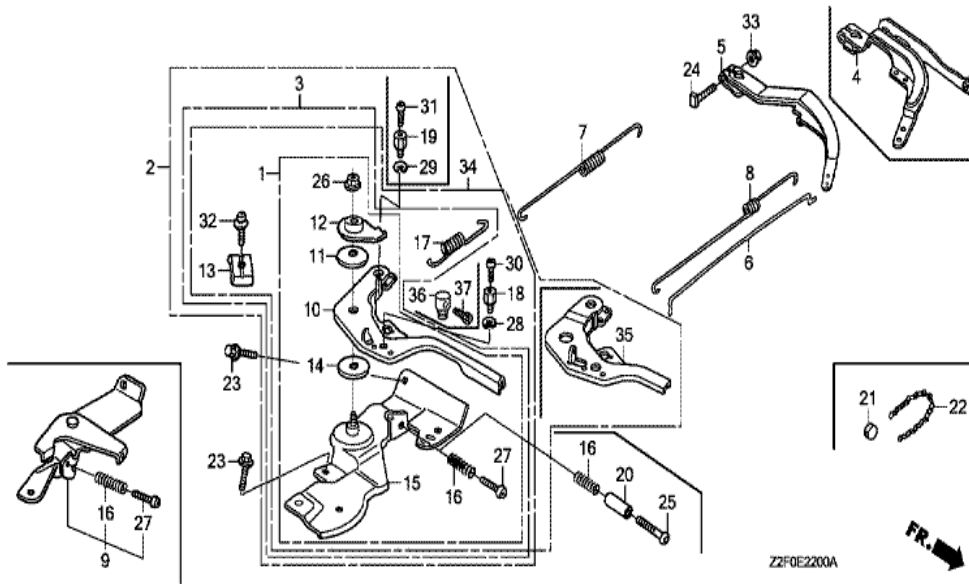


Ref	Partnumber	Description	GX160K1	Serial Numbers
001	12204-ZE1-306	GUIDE, IN. VALVE (OS)	1	
002	12205-ZE1-315	GUIDE, EX. VALVE (OS)	1	
003	12210-ZH8-405	HEAD COMP., CYLINDER	1	1237986
003	12210-ZH8-405	HEAD COMP., CYLINDER	1	1237986
003	12210-ZH8-415	HEAD COMP., CYLINDER	1	1237987
004	12216-ZE5-300	CLIP, VALVE GUIDE	1	
005	12251-ZF1-800	GASKET, CYLINDER HEAD	1	
006	12310-ZE1-020	COVER COMP., HEAD	1	
007	12391-ZE1-000	PACKING, HEAD COVER	1	
008	15721-ZH8-000	TUBE, BREATHER	(1)	
008	15721-ZH8-000	TUBE, BREATHER	1	
009	90013-883-000	BOLT, FLANGE, 6X12 (CT200)	4	
010	90043-ZE1-020	BOLT, STUD, 6X112	2	
<u>Ref</u>	<u>Partnumber</u>	<u>Description</u>	<u>GX160K1</u>	<u>Serial Numbers</u>
010	90043-ZE1-020	BOLT, STUD, 6X112	2	
011	90047-ZE1-000	BOLT, STUD, 8X32	2	
012	94301-10160	DOWEL PIN, 10X16	2	
014	95701-0806000	BOLT, FLANGE, 8X60	4	1349665
014	95723-0806000	BOLT, FLANGE, 8X60	4	
014	95723-0806000	BOLT, FLANGE, 8X60	4	1349664
015	98079-54846	PLUG, SPARK (BPR4ES) (NGK)	1	
015	98079-54855	PLUG, SPARK (W14EPR-U) (DENSO)	1	
015	98079-54855	PLUG, SPARK (W14EPR-U) (DENSO)	1	

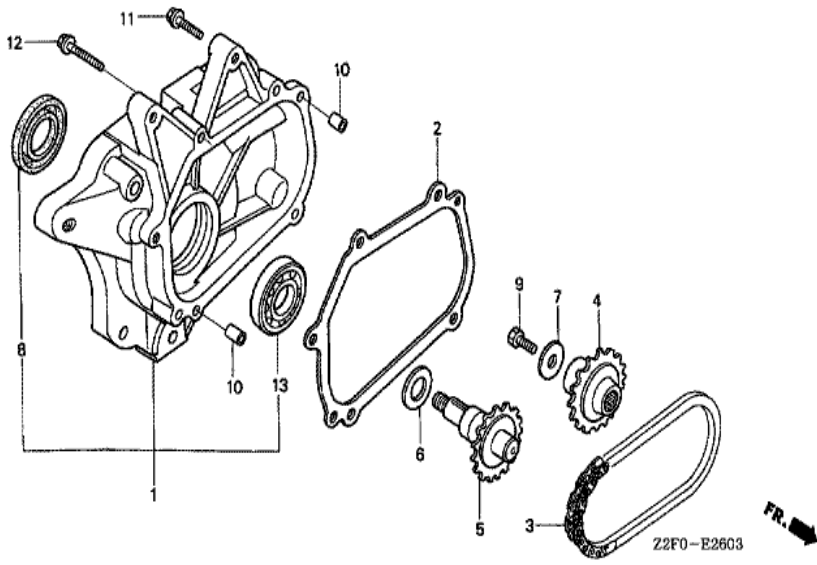




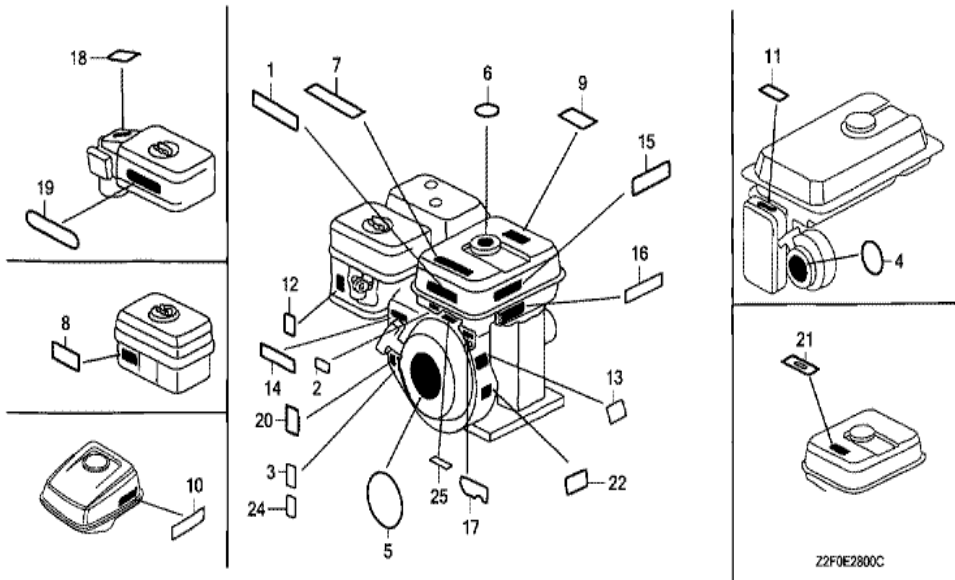
Ref	Partnumber	Description	GX160K1	Serial Numbers
001	30500-ZE1-043	COIL ASSY., IGNITION	1	1049706
001	30500-ZE1-053	COIL ASSY., IGNITION	(1)	1049707 1067684
001	30500-ZE1-053	COIL ASSY., IGNITION	1	1049707 1067684
001	30500-ZE1-063	COIL ASSY., IGNITION	1	1067685
001	30500-ZE1-063	COIL ASSY., IGNITION	1	1067685 1346318
001	30500-ZE1-073	COIL ASSY., IGNITION	1	
001	30500-ZE1-073	COIL ASSY., IGNITION	1	1346319
002	30700-ZE1-013	CAP ASSY., NOISE SUPPRESSOR (NICHIIWA Y-E	(1)	
002	30700-ZE1-013	CAP ASSY., NOISE SUPPRESSOR (NICHIIWA Y-E	1	
012	36101-ZE1-010	CORD, STOP SWITCH (370MM)	(1)	
012	36101-ZE1-010	CORD, STOP SWITCH (370MM)	1	
015	90121-952-000	BOLT, FLANGE, 6X25 (CT200)	2	



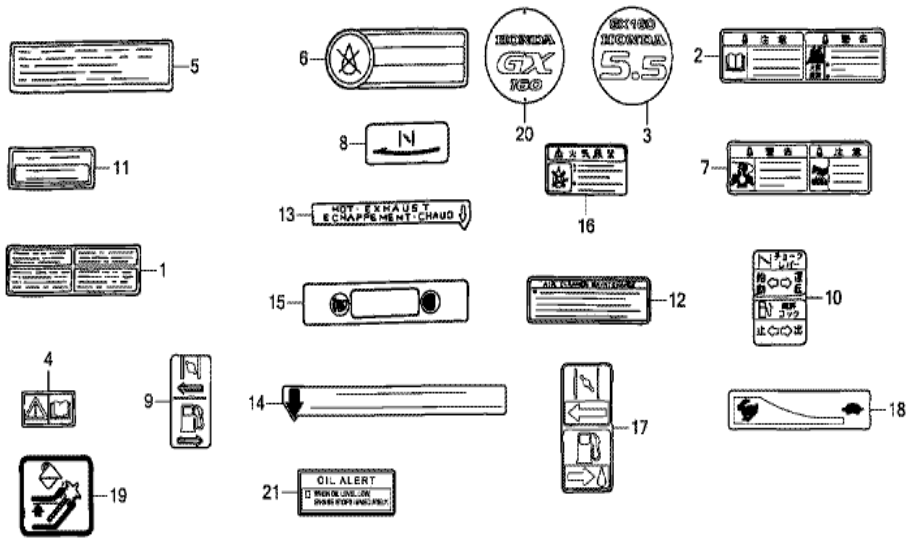
<u>Ref</u>	<u>Partnumber</u>	<u>Description</u>	<u>GX160K1</u>	<u>Serial Numbers</u>
002	16500-ZH8-863	CONTROL ASSY. (REMOTE)	1	
002	16500-ZH8-863	CONTROL ASSY. (REMOTE)	1	
005	16550-ZK7-V00	ARM COMP., GOVERNOR	1	
006	16555-ZE1-000	ROD, GOVERNOR	1	
007	16561-ZH8-940	SPRING, GOVERNOR	1	
007	16561-ZH8-940	SPRING, GOVERNOR	1	
008	16562-ZE1-020	SPRING, THROTTLE RETURN	1	
010	16571-ZH8-S02	LEVER, CONTROL	1	
010	16571-ZH8-S02	LEVER, CONTROL	1	
011	16574-ZE1-000	SPRING, LEVER	1	
012	16575-ZH8-000	WASHER, CONTROL LEVER	1	
013	16576-891-000	HOLDER, CABLE	1	
014	16578-ZE1-000	SPACER, CONTROL LEVER	1	
<u>Ref</u>	<u>Partnumber</u>	<u>Description</u>	<u>GX160K1</u>	<u>Serial Numbers</u>
015	16580-ZH8-813	BASE COMP., CONTROL (REMOTE)	(1)	
015	16580-ZH8-813	BASE COMP., CONTROL (REMOTE)	1	
016	16584-883-300	SPRING, CONTROL ADJUSTING	1	
017	16592-ZE1-810	SPRING, CABLE RETURN	1	
018	16594-883-010	HOLDER, WIRE	1	
023	90013-883-000	BOLT, FLANGE, 6X12 (CT200)	2	
024	90015-ZE5-010	BOLT, GOVERNOR ARM	1	
026	90114-SA0-000	NUT, SELF-LOCK, 6MM	1	
027	93500-050250H	SCREW, PAN, 5X25	(1)	
027	93500-050250H	SCREW, PAN, 5X25	1	
028	90605-230-000	CIRCLIP, 5MM	1	
030	93500-040060H	SCREW, PAN, 4X6	1	
032	93500-050160A	SCREW, PAN, 5X16	1	
033	94050-06000	NUT, FLANGE, 6MM	1	



Ref	Partnumber	Description	GX160K1	Serial Numbers
001	11500-ZK7-V00	COVER ASSY., CHAIN CASE	1	
002	11521-ZK7-V00	PACKING, CHAIN CASE COVER	1	
003	14411-ZK7-V01	CHAIN, P.T.O. DRIVE	1	
004	23121-ZK7-V00	SPROCKET, DRIVE (17T)	1	
005	23151-ZK7-V00	SHAFT, P.T.O. (16T)	1	
006	90456-ZE1-000	SPRING, THRUST	1	
007	90471-ZE1-610	WASHER, 8MM	1	
008	91252-888-003	OIL SEAL, 25X38X7 (ARAI)	1	
009	92101-080250A	BOLT, HEX., 8X25	1	
010	94303-08140	DOWEL PIN, 8X14	2	
011	95701-0803500	BOLT, FLANGE, 8X35	4	
012	95701-0805500	BOLT, FLANGE, 8X55	1	
013	96100-6005000	BEARING, RADIAL BALL, 6005	1	

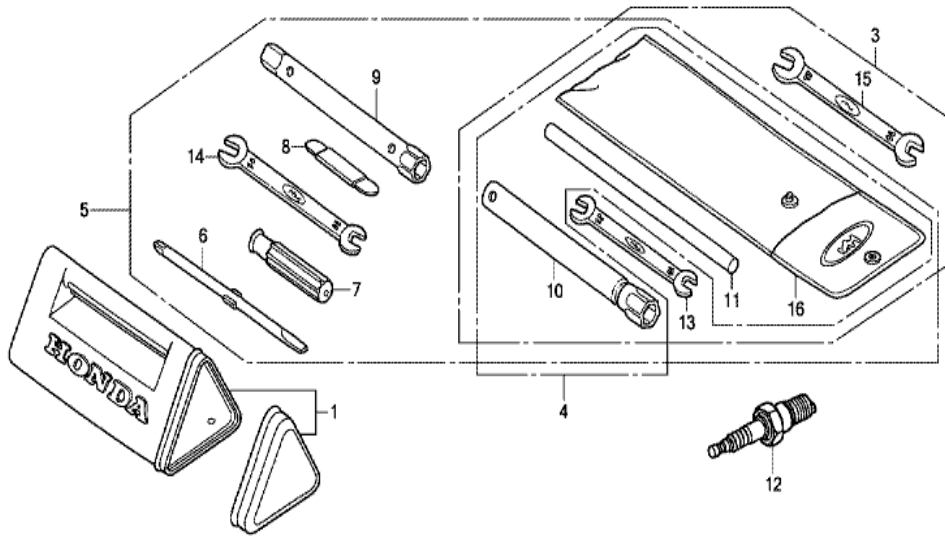


Ref	Partnumber	Description	GX160K1	Serial Numbers
003	87135-ZE2-020	LABEL, E-SPEC (15.5X27.5)	1	1165999
003	87135-ZE2-020	LABEL, E-SPEC (15.5X27.5)	1	1165999
005	87521-ZH8-030	EMBLEM (GX160 5.5)	1	
005	87521-ZH8-030	EMBLEM (GX160 5.5)	1	1314912
005	87521-ZH8-040	EMBLEM (GX160)	1	
005	87521-ZH8-040	EMBLEM (GX160)	1	1314913
012	87528-ZE1-810	MARK, CHOKE	(1)	
012	87528-ZE1-810	MARK, CHOKE	1	
024	87114-ZH7-000	LABEL, WARNING (NOT CERTIFIED FOR SALE)	1	
024	87114-ZH7-000	LABEL, WARNING (NOT CERTIFIED FOR SALE)	1	1055702



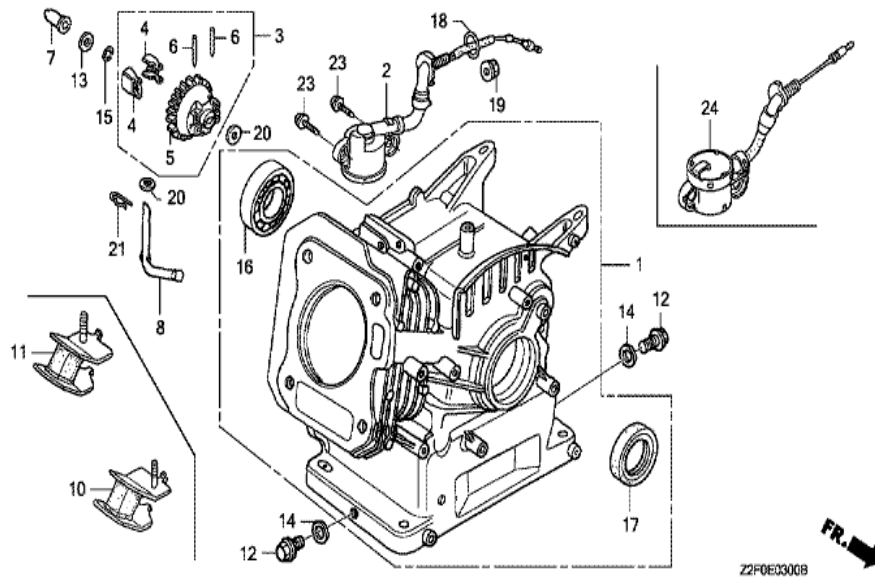
Z2F0E2801D

Ref	Partnumber	Description	GX160K1	Serial Numbers
002	87520-ZH8-000	MARK A, COMBINATION (JAPANESE)	1	
007	87526-ZH8-000	MARK B, COMBINATION (JAPANESE)	1	

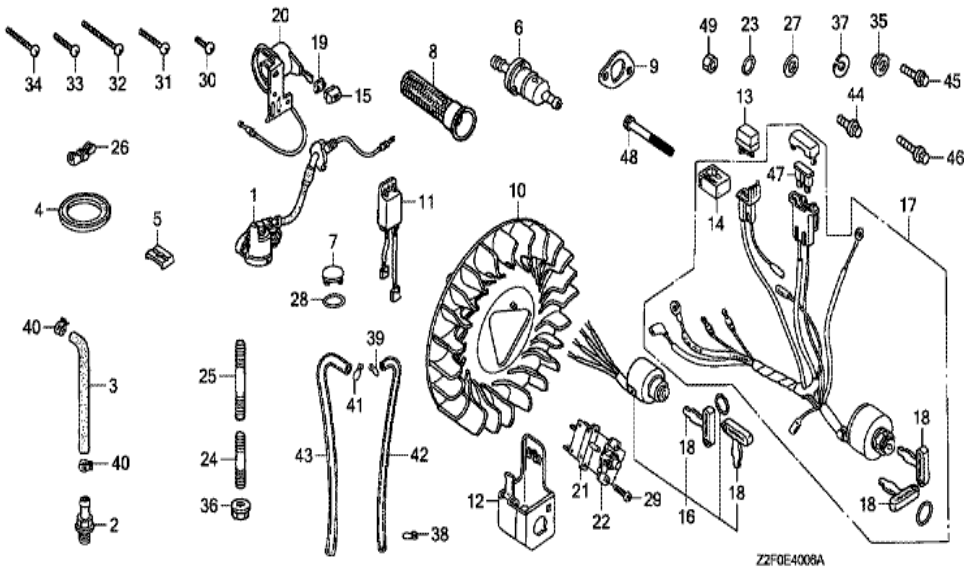


Z2F0E2900A

Ref	Partnumber	Description	GX160K1	Serial Numbers
010	89218-ZE1-000	WRENCH COMP., SPARK PLUG	(1)	
010	89218-ZE1-000	WRENCH COMP., SPARK PLUG	1	

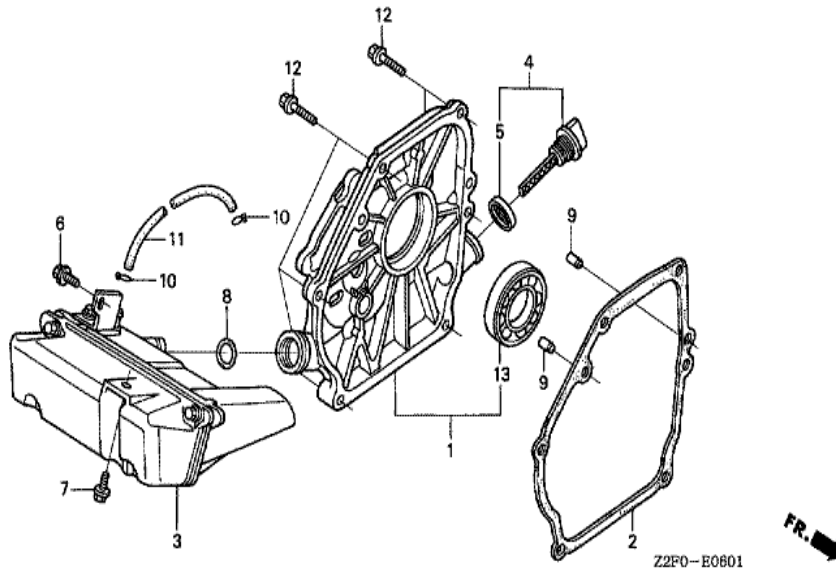


<u>Ref</u>	<u>Partnumber</u>	<u>Description</u>	<u>GX160K1</u>	<u>Serial Numbers</u>
001	12000-ZH8-425	BARREL ASSY., CYLINDER	1	
003	16510-ZE1-000	GOVERNOR ASSY.	1	
003	16510-ZE1-000	GOVERNOR ASSY.	1	
004	16511-ZE1-000	WEIGHT, GOVERNOR	2	
005	16512-ZE1-000	HOLDER, GOVERNOR WEIGHT	1	
006	16513-ZE1-000	PIN, GOVERNOR WEIGHT	2	
007	16531-ZE1-000	SLIDER, GOVERNOR	1	
008	16541-ZE1-000	SHAFT, GOVERNOR ARM	1	
012	90131-ZE1-000	BOLT, DRAIN PLUG	2	
013	90451-ZE1-000	WASHER, THRUST, 6MM	1	
014	90601-ZE1-000	WASHER, DRAIN PLUG, 10.2MM	2	
015	90602-ZE1-000	CLIP, GOVERNOR HOLDER	1	
016	91001-Z1T-003	BEARING, RADIAL BALL, 6205 (NSK)	1	
<u>Ref</u>	<u>Partnumber</u>	<u>Description</u>	<u>GX160K1</u>	<u>Serial Numbers</u>
016	91001-ZF1-003	BEARING, RADIAL BALL (6205TMB) (NTN)	1	
016	91001-ZF1-003	BEARING, RADIAL BALL (6205TMB) (NTN)	1	
016	91001-ZF1-004	BEARING, RADIAL BALL (6205SH) (KOYO)	1	
016	91001-ZF1-004	BEARING, RADIAL BALL (6205SH) (KOYO)	1	
017	91201-ZOT-801	OIL SEAL, 25X41X6 (NOK)	1	
020	94101-06800	WASHER, PLAIN, 6MM	2	
021	94251-08000	PIN, LOCK, 8MM	1	

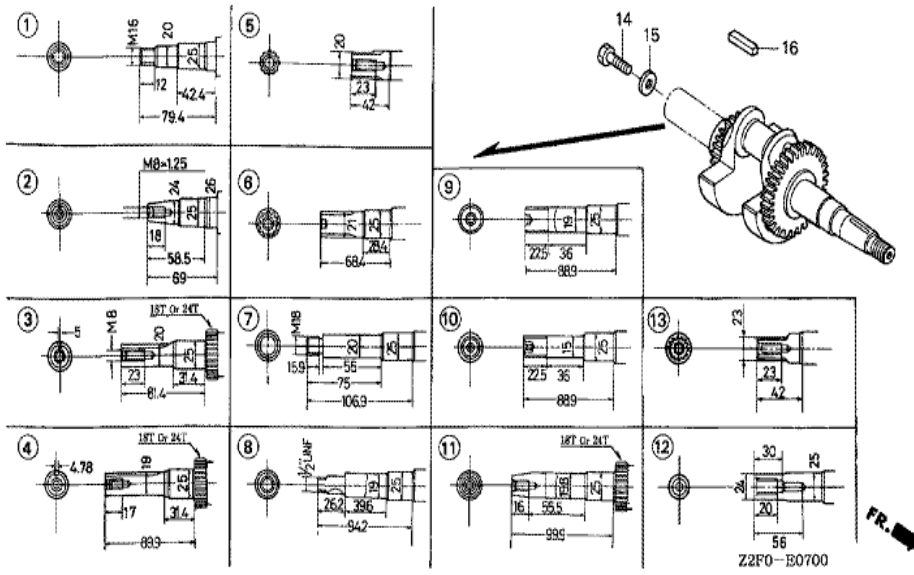


Ref	Partnumber	Description	GX160K1	Serial Numbers
024	90001-ZK7-V00	BOLT, STUD, 10X32	3	
025	90002-ZK7-V00	BOLT, STUD, 10X60	1	
036	94050-10000	NUT, FLANGE, 10MM	4	

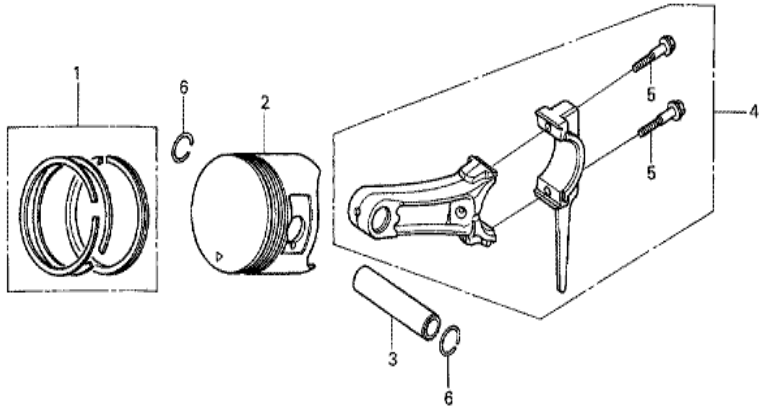




Ref	Partnumber	Description	GX160K1	Serial Numbers
001	11300-ZK8-V00	COVER ASSY., CRANKCASE	1	
002	11381-ZK8-V00	PACKING, CASE COVER	1	
003	15500-ZK8-V00	TANK ASSY., OIL	1	
004	15600-ZE1-003	CAP ASSY., OIL FILLER (GRAY)	1	
005	15625-ZE1-003	PACKING, OIL FILLER CAP	1	
006	90014-952-000	BOLT, FLANGE, 6X14 (CT200)	1	
007	90029-888-000	BOLT, FLANGE, 6X16 (CT200)	1	
008	91304-MJ0-003	O-RING, 15.8X2.4 (SHOWA)	1	
009	94303-08140	DOWEL PIN, 8X14	2	
010	95002-02070	CLIP, TUBE (B7)	2	
011	95005-3513010	TUBE, 3.5X130 (95005-35001-10M)	1	
012	95701-0803200	BOLT, FLANGE, 8X32	6	
013	96100-6205000	BEARING, RADIAL BALL, 6205	1	



Ref	Partnumber	Description	GX160K1	Serial Numbers
013	13310-ZK8-V00	CRANKSHAFT COMP. (L=235.9)	1	
014	92101-080250A	BOLT, HEX., 8X25	1	
014	92101-080250A	BOLT, HEX., 8X25	1	

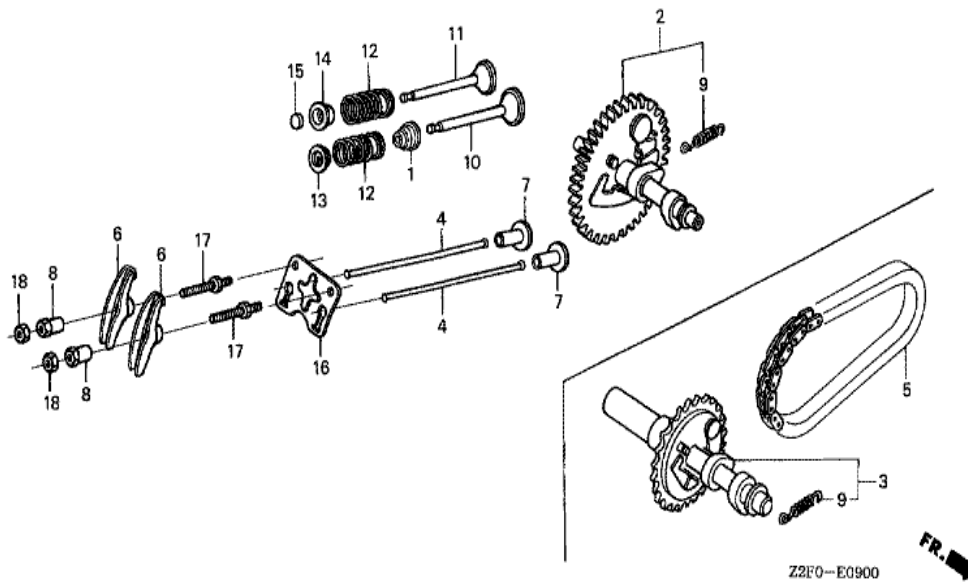


Z2F0-E0800



Ref	Partnumber	Description	GX160K1	Serial Numbers
001	13010-Z4K-004	RING SET, PISTON (STD.) (TPR)	1	1314913
001	13010-ZL0-003	RING SET, PISTON (STD.) (TEIKOKU)	1	1335725
001	13010-ZL0-003	RING SET, PISTON (STD.) (TEIKOKU)	1	1314912
001	13010-ZL0-004	RING SET, PISTON (STD.) (NIPPON)	1	1335725
001	13010-ZL0-004	RING SET, PISTON (STD.) (NIPPON)	1	1314912
001	13011-Z4K-004	RING SET, PISTON (0.25) (TPR)	(1)	1335726
001	13011-Z4K-004	RING SET, PISTON (0.25) (TPR)	(1)	1314913
001	13011-ZL0-003	RING SET, PISTON (0.25) (TEIKOKU)	(1)	1314912
001	13011-ZL0-003	RING SET, PISTON (0.25) (TEIKOKU)	(1)	1314912
001	13011-ZL0-004	RING SET, PISTON (0.25) (NIPPON)	(1)	1335725
001	13011-ZL0-004	RING SET, PISTON (0.25) (NIPPON)	(1)	1314912
001	13012-Z4K-004	RING SET, PISTON (0.50) (TPR)	(1)	1314913
001	13012-Z4K-004	RING SET, PISTON (0.50) (TPR)	(1)	1314913

<u>Ref</u>	<u>Partnumber</u>	<u>Description</u>	<u>GX160K1</u>	<u>Serial Numbers</u>
001	13012-ZL0-003	RING SET, PISTON (0.50) (TEIKOKU)	(1)	
001	13012-ZL0-003	RING SET, PISTON (0.50) (TEIKOKU)	(1)	1314912
001	13012-ZL0-004	RING SET, PISTON (0.50) (NIPPON)	(1)	1335725
001	13012-ZL0-004	RING SET, PISTON (0.50) (NIPPON)	(1)	1314912
001	13013-Z4K-004	RING SET, PISTON (0.75) (TPR)	(1)	1314913
001	13013-Z4K-004	RING SET, PISTON (0.75) (TPR)	(1)	1314913
001	13013-ZL0-003	RING SET, PISTON (0.75) (TEIKOKU)	(1)	1335725
001	13013-ZL0-003	RING SET, PISTON (0.75) (TEIKOKU)	(1)	1314912
001	13013-ZL0-004	RING SET, PISTON (0.75) (NIPPON)	(1)	1314912
001	13013-ZL0-004	RING SET, PISTON (0.75) (NIPPON)	(1)	1314912
002	13101-ZH8-010	PISTON (STD.)	1	
002	13101-ZH8-010	PISTON (STD.)	1	1314912
002	13101-ZH8-020	PISTON (STD.)	1	1314913
002	13101-ZH8-020	PISTON (STD.)	1	1314913
002	13102-ZH8-010	PISTON (0.25)	(1)	
002	13102-ZH8-010	PISTON (0.25)	(1)	1314912
002	13102-ZH8-020	PISTON (0.25)	(1)	1314913
002	13102-ZH8-020	PISTON (0.25)	(1)	1314913
002	13103-ZH8-010	PISTON (0.50)	(1)	1314912
002	13103-ZH8-010	PISTON (0.50)	(1)	1314912
002	13103-ZH8-020	PISTON (0.50)	(1)	1314913
002	13103-ZH8-020	PISTON (0.50)	(1)	1314913
002	13104-ZH8-010	PISTON (0.75)	(1)	
002	13104-ZH8-010	PISTON (0.75)	(1)	1314912
002	13104-ZH8-020	PISTON (0.75)	(1)	
002	13104-ZH8-020	PISTON (0.75)	(1)	1314913
003	13111-ZE1-000	PIN, PISTON	1	
004	13200-ZE1-010	ROD ASSY., CONNECTING (STD.)	1	
004	13200-ZE1-010	ROD ASSY., CONNECTING (STD.)	1	1596553
004	13200-ZE1-020	ROD ASSY., CONNECTING (STD.)	1	1596554
004	13200-ZE1-020	ROD ASSY., CONNECTING (STD.)	1	1596554
005	90001-ZE1-000	BOLT, CONNECTING ROD	2	
006	90551-ZE1-000	CLIP, PISTON PIN, 18MM	2	



<u>Ref</u>	<u>Partnumber</u>	<u>Description</u>	<u>GX160K1</u>	<u>Serial Numbers</u>
001	12209-ZH8-003	SEAL, VALVE STEM	1	
002	14100-ZH8-C30	CAMSHAFT ASSY.	1	
002	14100-ZH8-C30	CAMSHAFT ASSY.	1	
004	14410-ZE1-010	ROD, PUSH	2	
006	14431-ZE1-000	ARM, VALVE ROCKER	2	
007	14441-ZE1-010	LIFTER, VALVE	2	
008	14451-ZE1-013	PIVOT, ROCKER ARM	2	
009	14568-ZE1-000	SPRING, WEIGHT RETURN	1	
010	14711-ZF1-000	VALVE, IN.	1	
011	14721-ZF1-000	VALVE, EX.	1	
012	14751-ZF1-000	SPRING, VALVE	2	
013	14771-ZE1-000	RETAINER, IN. VALVE SPRING	1	
014	14773-ZE1-000	RETAINER, EX. VALVE SPRING	1	
<u>Ref</u>	<u>Partnumber</u>	<u>Description</u>	<u>GX160K1</u>	<u>Serial Numbers</u>
015	14781-ZE1-000	ROTATOR, VALVE	1	
016	14791-ZE1-010	PLATE, PUSH ROD GUIDE	1	
017	90012-ZE0-010	BOLT, PIVOT, 8MM	2	
018	90206-ZE1-000	NUT, PIVOT ADJUSTING	2	

GX160K1(KR)

EOP-1 GASKET KIT



HENG-X0003

<u>Ref</u>	<u>Partnumber</u>	<u>Description</u>	<u>GX160K1</u>	<u>Serial Numbers</u>
001	06111-ZK8-V00	GASKET KIT	1	