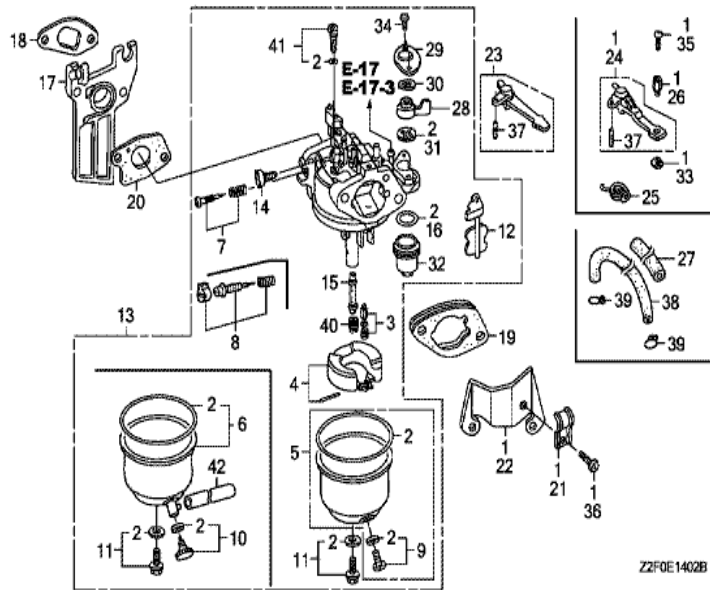


| Ref | Partnumber    | Description        | GX160K1 | Serial Numbers |
|-----|---------------|--------------------|---------|----------------|
| 003 | 28414-ZK8-V71 | CASE B, STARTER    | 1       |                |
| 016 | 90008-ZE2-003 | BOLT, FLANGE, 6X10 | 3       |                |



| Ref | Partnumber      | Description                              | GX160K1 | Serial Numbers |
|-----|-----------------|--|---------|----------------|
| 004 | 19610-ZE1-820ZG | COVER COMP., FAN (STARTER MOTOR) *R280 * | 1       |                |
| 007 | 19612-ZH8-840   | PLATE, SIDE (STARTER MOTOR)              | 1       |                |
| 009 | 19630-ZH8-000   | SHROUD COMP.                             | 1       |                |
| 012 | 32105-ZH8-V10   | CABLE, DOUBLE CONNECTOR                  | 1       |                |
| 014 | 34150-ZH7-003   | ALERT UNIT, OIL                          | 1       |                |
| 022 | 90013-883-000   | BOLT, FLANGE, 6X12 (CT200)               | 6       |                |
| 023 | 90121-952-000   | BOLT, FLANGE, 6X25 (CT200)               | 1       |                |
| 025 | 90630-751-000   | CLIP, PURSE LOCK                         | 1       |                |
| 027 | 95701-0600800   | BOLT, FLANGE, 6X8                        | 1       |                |

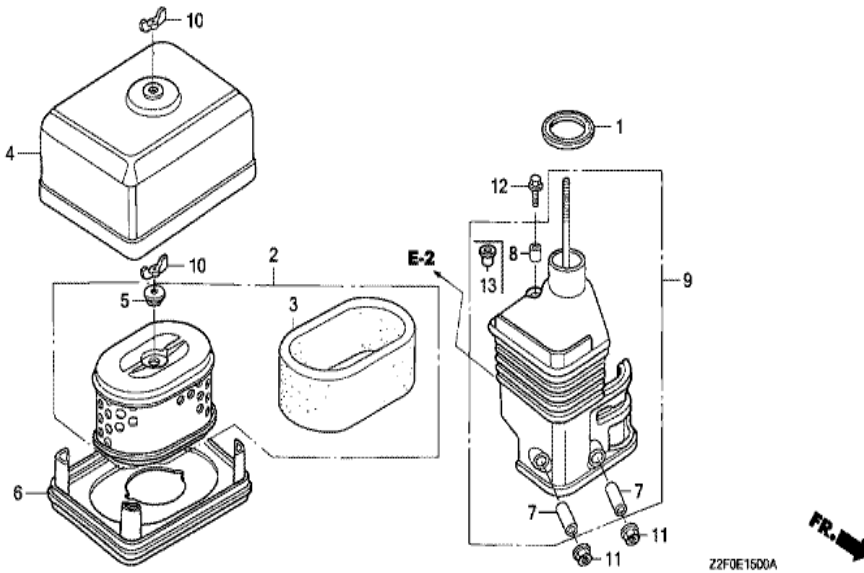


ZZFOE1402B



| Ref | Partnumber    | Description                  | GX160K1 | Serial Numbers |
|-----|---------------|------------------------------|---------|----------------|
| 002 | 16010-ZE1-812 | GASKET SET                   | 1       |                |
| 003 | 16011-ZE0-005 | VALVE SET, FLOAT             | 1       |                |
| 004 | 16013-ZE0-005 | FLOAT SET                    | 1       |                |
| 005 | 16015-ZE0-831 | CHAMBER SET, FLOAT           | 1       |                |
| 008 | 16016-ZH7-W01 | SCREW SET, PILOT             | 1       |                |
| 009 | 16024-ZE1-811 | SCREW SET, DRAIN             | 1       |                |
| 011 | 16028-ZE0-005 | SCREW SET                    | 1       |                |
| 012 | 16044-ZE0-005 | CHOKE SET                    | 1       |                |
| 013 | 16100-ZH8-W51 | CARBURETOR ASSY. (BE65B B/C) | 1       |                |
| 014 | 16124-ZE0-005 | SCREW, THROTTLE STOP         | 1       |                |
| 015 | 16166-ZH8-W50 | NOZZLE, MAIN                 | 1       |                |
| 016 | 16173-001-004 | PACKING, FUEL STRAINER CUP   | 1       |                |
| 017 | 16211-ZE1-000 | INSULATOR, CARBURETOR        | 1       |                |

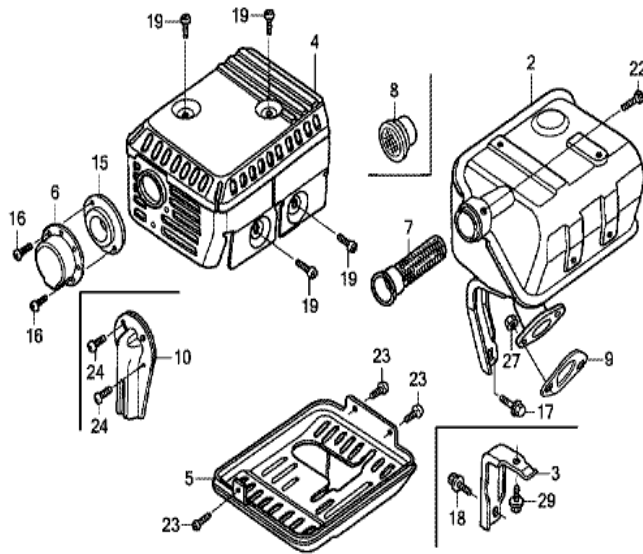
| <u>Ref</u> | <u>Partnumber</u> | <u>Description</u>          | <u>GX160K1</u> | <u>Serial Numbers</u> |
|------------|-------------------|-----------------------------|----------------|-----------------------|
| 018        | 16212-ZH8-800     | PACKING, INSULATOR          | 1              |                       |
| 019        | 16220-ZE1-020     | SPACER COMP., CARBURETOR    | 1              |                       |
| 020        | 16221-ZH8-801     | PACKING, CARBURETOR         | 1              |                       |
| 021        | 16582-883-300     | HOLDER, CONTROL CABLE       | 1              |                       |
| 022        | 16598-ZE1-000     | STAY, CHOKE CONTROL         | 1              |                       |
| 024        | 16610-ZE1-810     | LEVER COMP., CHOKE (REMOTE) | 1              |                       |
| 025        | 16615-ZE1-010     | SPRING, RETURN              | 1              |                       |
| 026        | 16617-890-010     | HOLDER, CABLE               | 1              |                       |
| 028        | 16953-ZE1-812     | LEVER, COCK                 | 1              |                       |
| 029        | 16954-ZE1-812     | PLATE, LEVER SETTING        | 1              |                       |
| 030        | 16956-ZE1-811     | SPRING, COCK LEVER          | 1              |                       |
| 031        | 16957-ZE1-812     | PACKING, FUEL COCK          | 1              |                       |
| 032        | 16967-ZE0-811     | CUP, FUEL STRAINER          | 1              |                       |
| 033        | 90605-230-000     | CIRCLIP, 5MM                | 1              |                       |
| 034        | 93500-030061H     | SCREW, PAN, 3X6             | 2              |                       |
| 035        | 93500-040080A     | SCREW, PAN, 4X8             | 1              |                       |
| 036        | 93500-050080A     | SCREW, PAN, 5X8             | 1              |                       |
| 037        | 94305-20122       | PIN, SPRING, 2X12           | 1              |                       |
| 040        | 99101-ZH80650     | JET, MAIN, #65              | (1)            |                       |
| 040        | 99101-ZH80680     | JET, MAIN, #68              | (1)            |                       |
| 040        | 99101-ZH80700     | JET, MAIN, #70              | 1              |                       |
| 041        | 99204-ZE00350     | JET SET, PILOT, #35         | 1              |                       |



Z2F0E15D0A

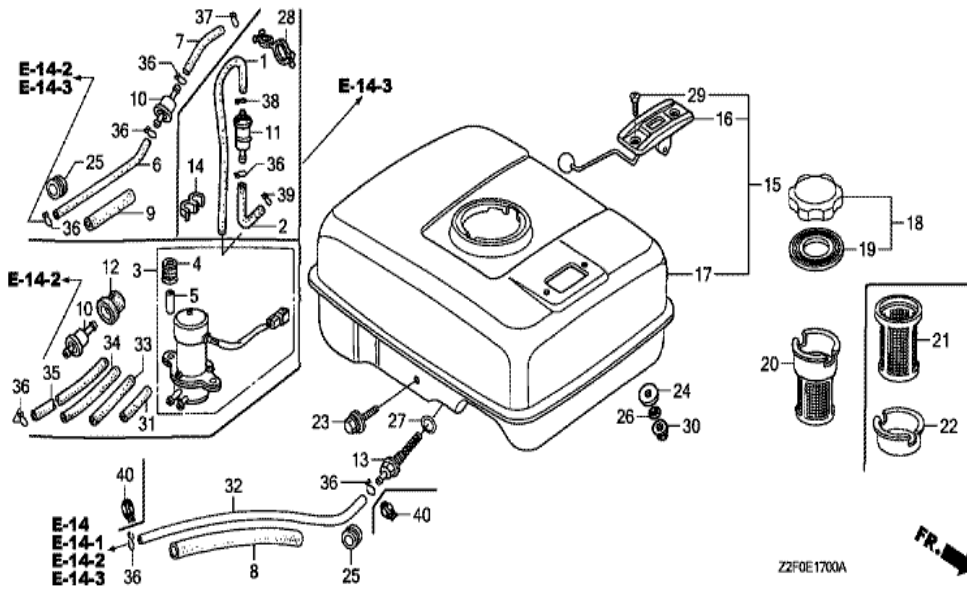
FR. →

| <u>Ref</u> | <u>Partnumber</u> | <u>Description</u>          | <u>GX160K1</u> | <u>Serial Numbers</u> |
|------------|-------------------|-----------------------------|----------------|-----------------------|
| 001        | 16271-ZE1-000     | PACKING, ELBOW              | 1              |                       |
| 002        | 17210-ZE1-822     | ELEMENT, AIR CLEANER (DUAL) | 1              |                       |
| 003        | 17218-ZE1-821     | FILTER, OUTER               | 1              |                       |
| 004        | 17230-ZE1-820     | COVER, AIR CLEANER (DUAL)   | 1              |                       |
| 005        | 17232-891-000     | GROMMET, AIR CLEANER        | 1              |                       |
| 006        | 17235-ZE1-831     | NOSE, SILENCER              | 1              |                       |
| 007        | 17238-ZE7-010     | COLLAR, AIR CLEANER         | 2              |                       |
| 008        | 17239-ZE1-000     | COLLAR B, AIR CLEANER       | 1              |                       |
| 009        | 17410-ZE1-020     | ELBOW COMP., AIR CLEANER    | 1              |                       |
| 010        | 90325-044-000     | NUT, TOOL BOX SETTING       | 2              |                       |
| 011        | 94050-06000       | NUT, FLANGE, 6MM            | 2              |                       |
| 012        | 95701-0602000     | BOLT, FLANGE, 6X20          | 1              |                       |

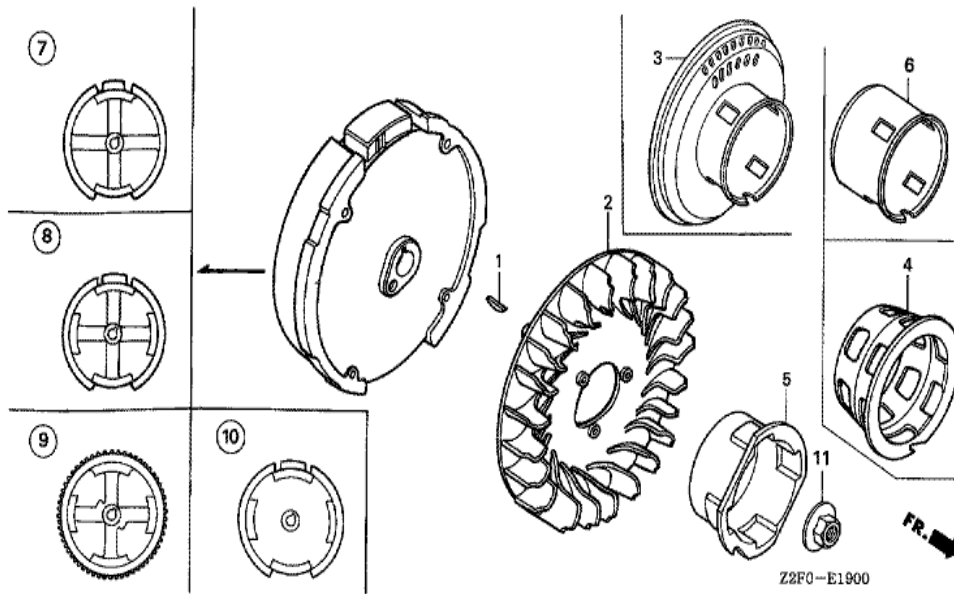


FR. →  
Z2F0E1600A

| Ref | Partnumber    | Description               | GX160K1 | Serial Numbers |
|-----|---------------|---------------------------|---------|----------------|
| 001 | 17233-896-701 | COLLAR, AIR CLEANER CASE  | (2)     |                |
| 009 | 18381-ZH8-800 | GASKET, MUFFLER           | 1       |                |
| 011 | 18433-ZH8-W40 | COVER COMP., MUFFLER      | (1)     |                |
| 012 | 18434-ZH8-W40 | COVER COMP., RR. MUFFLER  | (1)     |                |
| 013 | 18436-ZH8-W40 | BASE COMP., MUFFLER COVER | (1)     |                |
| 014 | 18466-ZH8-W40 | SPACER, MUFFLER COVER     | (3)     |                |
| 020 | 90050-ZE1-000 | SCREW, TAPPING, 5X8       | (1)     |                |
| 021 | 90050-ZH8-W40 | SCREW, TAPPING, 5X25      | (2)     |                |
| 025 | 90302-KF9-900 | NUT, HEX., 5MM            | (3)     |                |
| 026 | 93891-0602007 | SCREW-WASHER, 6X20        | (3)     |                |
| 027 | 94001-080000S | NUT, HEX., 8MM            | 2       |                |
| 028 | 94103-05700   | WASHER, PLAIN, 5MM        | (3)     |                |

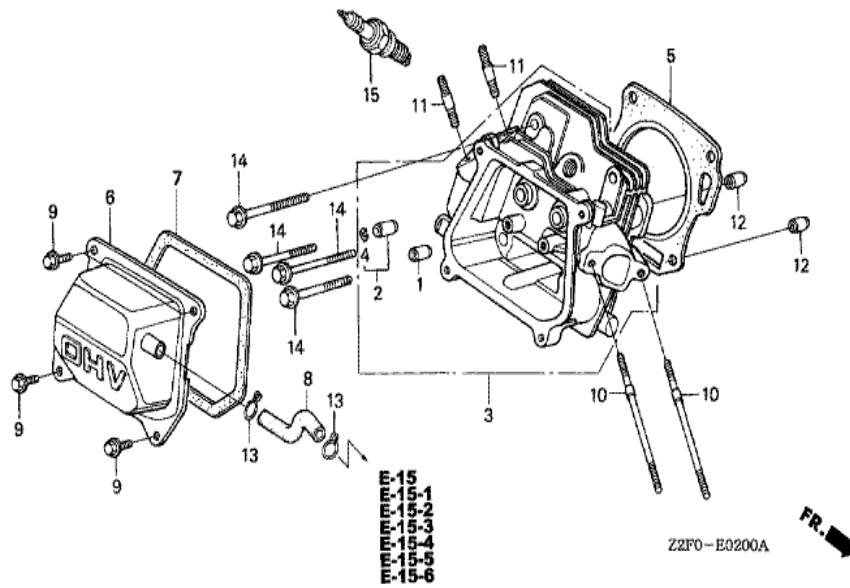


| Ref | Partnumber    | Description                           | GX160K1 | Serial Numbers |
|-----|---------------|---------------------------------------|---------|----------------|
| 008 | 16854-ZH8-000 | RUBBER, SUPPORTER (107MM)             | 1       |                |
| 032 | 95001-4530040 | TUBE, FUEL, 4.5X300 (95001-45001-60M) | 1       |                |
| 036 | 95002-02080   | CLIP, TUBE (B8)                       | 2       |                |

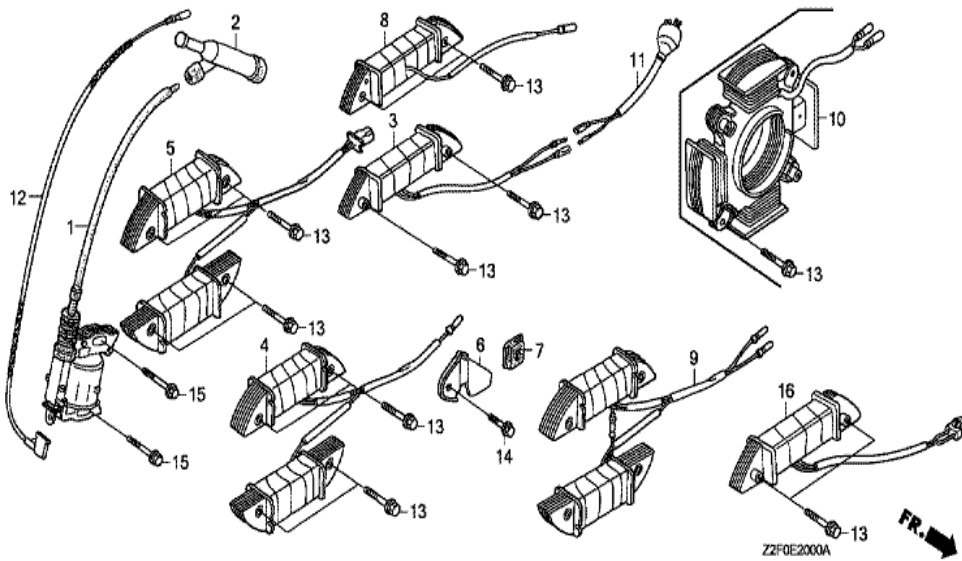


| Ref | Partnumber    | Description                    | GX160K1 | Serial Numbers |
|-----|---------------|--------------------------------|---------|----------------|
| 001 | 13331-357-000 | KEY, SPECIAL WOODRUFF, 25X18   | 1       |                |
| 002 | 19511-ZE1-000 | FAN, COOLING                   | 1       |                |
| 005 | 28451-ZH8-003 | PULLEY, STARTER                | 1       |                |
| 009 | 31100-ZE1-821 | FLYWHEEL COMP. (STARTER MOTOR) | 1       |                |
| 011 | 90201-878-003 | NUT, SPECIAL, 14MM             | 1       |                |

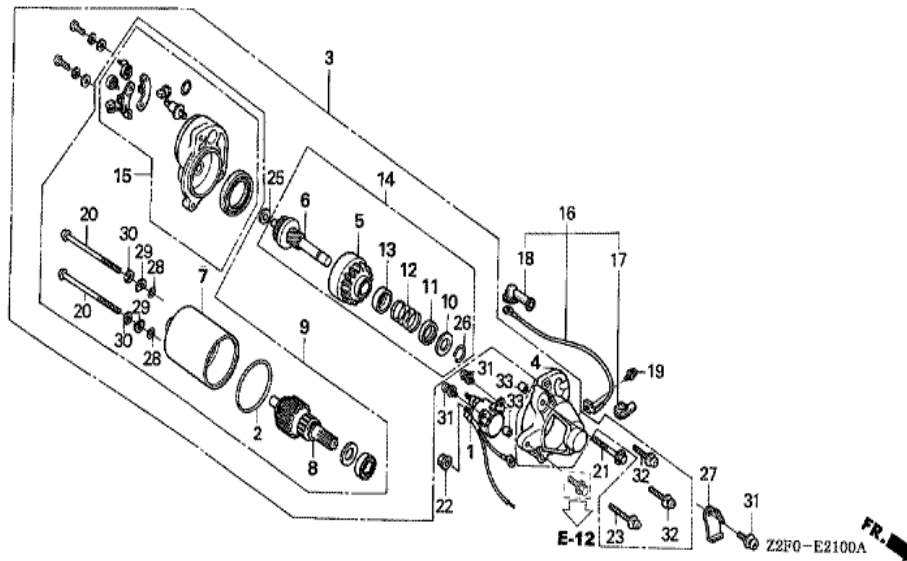




| Ref | Partnumber    | Description                    | GX160K1 | Serial Numbers |
|-----|---------------|--------------------------------|---------|----------------|
| 001 | 12204-ZE1-306 | GUIDE, IN. VALVE (OS)          | 1       |                |
| 002 | 12205-ZE1-315 | GUIDE, EX. VALVE (OS)          | 1       |                |
| 003 | 12210-ZH8-405 | HEAD COMP., CYLINDER           | 1       | 1237986        |
| 003 | 12210-ZH8-415 | HEAD COMP., CYLINDER           | 1       | 1237987        |
| 004 | 12216-ZE5-300 | CLIP, VALVE GUIDE              | 1       |                |
| 005 | 12251-ZF1-800 | GASKET, CYLINDER HEAD          | 1       |                |
| 006 | 12310-ZE1-020 | COVER COMP., HEAD              | 1       |                |
| 007 | 12391-ZE1-000 | PACKING, HEAD COVER            | 1       |                |
| 008 | 15721-ZH8-000 | TUBE, BREATHER                 | 1       |                |
| 009 | 90013-883-000 | BOLT, FLANGE, 6X12 (CT200)     | 4       |                |
| 010 | 90043-ZE1-020 | BOLT, STUD, 6X112              | 2       |                |
| 011 | 90047-ZE1-000 | BOLT, STUD, 8X32               | 2       |                |
| 012 | 94301-10160   | DOWEL PIN, 10X16               | 2       |                |
| Ref | Partnumber    | Description                    | GX160K1 | Serial Numbers |
| 014 | 95723-0806000 | BOLT, FLANGE, 8X60             | 4       |                |
| 015 | 98079-56846   | PLUG, SPARK (BPR6ES) (NGK)     | 1       |                |
| 015 | 98079-56855   | PLUG, SPARK (W20EPR-U) (DENSO) | 1       |                |

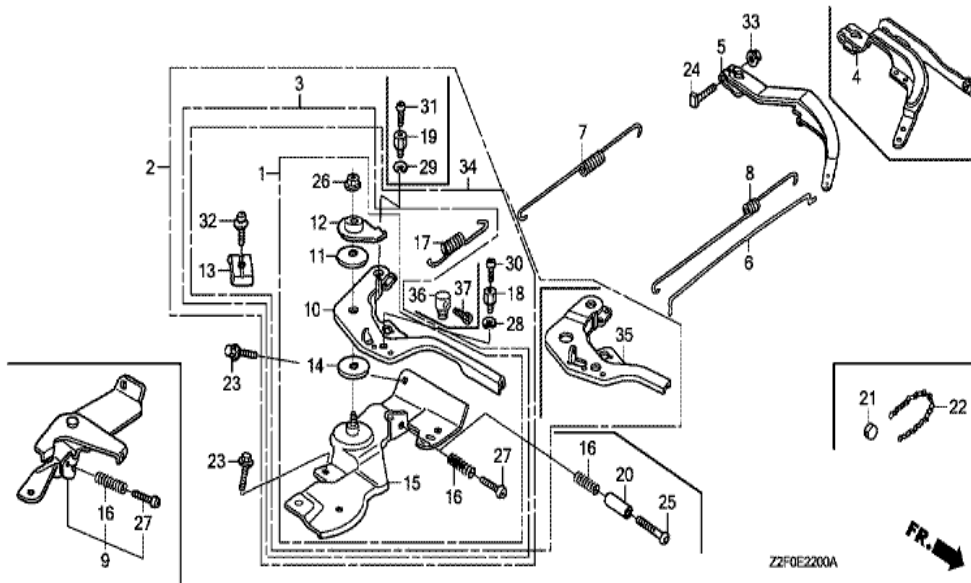


| Ref | Partnumber    | Description                              | GX160K1 | Serial Numbers  |
|-----|---------------|--|---------|-----------------|
| 001 | 30500-ZE1-043 | COIL ASSY., IGNITION                     | 1       | 1049706         |
| 001 | 30500-ZE1-053 | COIL ASSY., IGNITION                     | 1       | 1049707 1067684 |
| 001 | 30500-ZE1-063 | COIL ASSY., IGNITION                     | 1       | 1067685         |
| 002 | 30700-ZE1-013 | CAP ASSY., NOISE SUPPRESSOR (NICHIBA Y-E | 1       |                 |
| 007 | 31512-ZE1-000 | GROMMET, CORD                            | 1       |                 |
| 012 | 36101-ZB2-010 | CORD, STOP SWITCH (395MM)                | 1       |                 |
| 015 | 90121-952-000 | BOLT, FLANGE, 6X25 (CT200)               | 2       |                 |

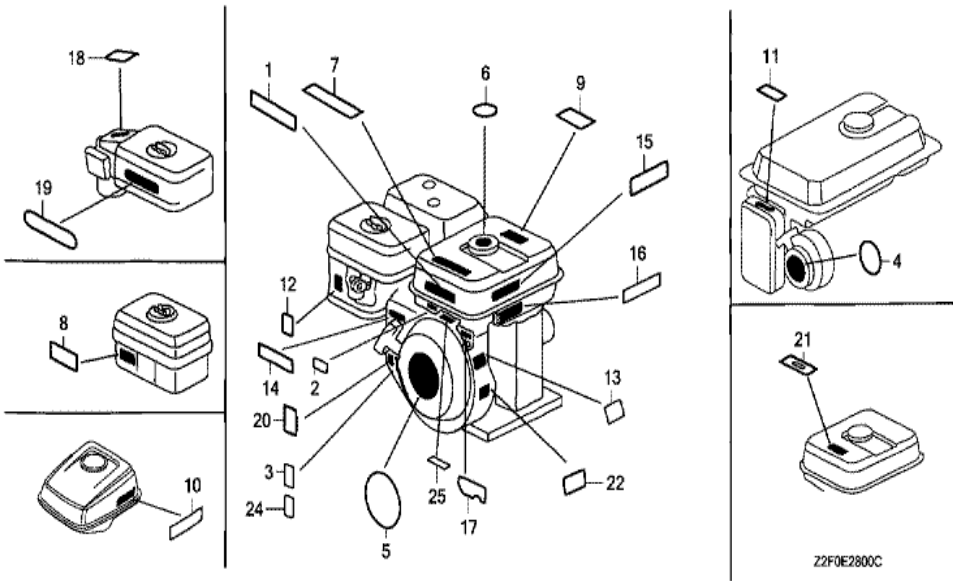


| Ref | Partnumber    | Description                            | GX160K1 | Serial Numbers |
|-----|---------------|--|---------|----------------|
| 001 | 31204-ZE1-003 | SWITCH COMP., STARTING MAGNET          | 1       |                |
| 002 | 31206-KN7-670 | O-RING                                 | 1       |                |
| 003 | 31210-ZE1-023 | MOTOR UNIT, STARTER (SM-11203) (162MM) | 1       |                |
| 004 | 31212-ZE1-003 | COVER COMP., GEAR                      | 1       |                |
| 005 | 31214-ZE1-003 | PINION ASSY.                           | 1       |                |
| 006 | 31215-ZE1-003 | SHAFT UNIT, GEAR                       | 1       |                |
| 007 | 31216-ZE1-003 | YOKE ASSY.                             | 1       |                |
| 008 | 31217-ZE1-013 | ROTOR ASSY.                            | 1       |                |
| 009 | 31220-ZE1-013 | MOTOR ONLY                             | 1       |                |
| 010 | 31221-ZE1-003 | PIECE A, STOPPER                       | 1       |                |
| 011 | 31222-ZE1-003 | PIECE B, STOPPER                       | 1       |                |
| 012 | 31223-ZE1-003 | SPRING, RETURN                         | 1       |                |
| 013 | 31224-ZE1-003 | COVER, SPRING                          | 1       |                |

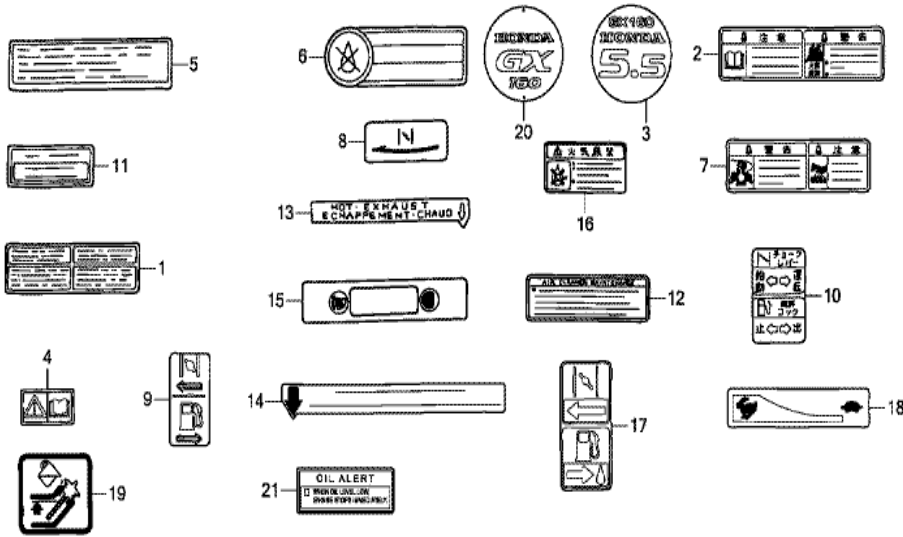
| <u>Ref</u> | <u>Partnumber</u> | <u>Description</u>            | <u>GX160K1</u> | <u>Serial Numbers</u> |
|------------|-------------------|-------------------------------|----------------|-----------------------|
| 014        | 31230-ZE1-003     | GEAR ASSY.                    | 1              |                       |
| 015        | 31235-ZE1-013     | BRACKET COMP., FR.            | 1              |                       |
| 016        | 32410-ZE1-000     | CORD, MAGNET SWITCH           | 1              |                       |
| 017        | 32411-ZE1-000     | COVER, MAGNETIC SWITCH        | 1              |                       |
| 018        | 32411-253-000     | COVER, STARTER MOTOR TERMINAL | 1              |                       |
| 019        | 90010-ZE1-003     | SCREW-WASHER, 5X8             | 1              |                       |
| 020        | 90012-ZE1-003     | BOLT, SETTING                 | 2              |                       |
| 021        | 90017-883-000     | BOLT, FLANGE, 6X32 (CT200)    | 1              |                       |
| 022        | 90071-MB0-000     | NUT-WASHER, 6MM               | 2              |                       |
| 023        | 90115-GB4-700     | SCREW-WASHER, 5X30            | 1              |                       |
| 025        | 90502-187-701     | WASHER, PINION                | 1              |                       |
| 026        | 90603-ZE1-003     | CIRCLIP, 10.2MM               | 1              |                       |
| 027        | 90631-ZE1-003     | HOLDER, HARNESS               | 1              |                       |
| 028        | 91301-ZE1-003     | O-RING                        | 2              |                       |
| 029        | 91402-ZE6-003     | WASHER, SPECIAL               | 2              |                       |
| 030        | 91403-ZE6-003     | WASHER, SPRING                | 2              |                       |
| 031        | 93892-0501408     | SCREW-WASHER, 5X14            | 3              |                       |
| 032        | 93892-0502008     | SCREW-WASHER, 5X20            | 2              |                       |
| 033        | 94301-08100       | DOWEL PIN, 8X10               | 2              |                       |



| <u>Ref</u> | <u>Partnumber</u> | <u>Description</u>            | <u>GX160K1</u> | <u>Serial Numbers</u> |
|------------|-------------------|-------------------------------|----------------|-----------------------|
| 002        | 16500-ZH8-893     | CONTROL ASSY. (REMOTE INTL-S) | 1              |                       |
| 005        | 16551-ZE0-010     | ARM, GOVERNOR                 | 1              |                       |
| 006        | 16555-ZE1-000     | ROD, GOVERNOR                 | 1              |                       |
| 007        | 16561-ZE1-020     | SPRING, GOVERNOR              | 1              |                       |
| 008        | 16562-ZE1-020     | SPRING, THROTTLE RETURN       | 1              |                       |
| 010        | 16571-ZH8-020     | LEVER, CONTROL                | 1              |                       |
| 011        | 16574-ZE1-000     | SPRING, LEVER                 | 1              |                       |
| 012        | 16575-ZH8-000     | WASHER, CONTROL LEVER         | 1              |                       |
| 013        | 16576-891-000     | HOLDER, CABLE                 | 1              |                       |
| 014        | 16578-ZE1-000     | SPACER, CONTROL LEVER         | 1              |                       |
| 015        | 16580-ZH8-813     | BASE COMP., CONTROL (REMOTE)  | 1              |                       |
| 016        | 16584-883-300     | SPRING, CONTROL ADJUSTING     | 1              |                       |
| 017        | 16592-ZE1-810     | SPRING, CABLE RETURN          | 1              |                       |
| <u>Ref</u> | <u>Partnumber</u> | <u>Description</u>            | <u>GX160K1</u> | <u>Serial Numbers</u> |
| 018        | 16594-883-010     | HOLDER, WIRE                  | 1              |                       |
| 020        | 16599-ZG1-M10     | COLLAR, STOPPER               | (1)            |                       |
| 023        | 90013-883-000     | BOLT, FLANGE, 6X12 (CT200)    | 2              |                       |
| 024        | 90015-ZE5-010     | BOLT, GOVERNOR ARM            | 1              |                       |
| 025        | 90016-ZG9-N30     | SCREW, RECESSED, 5X25         | (1)            |                       |
| 026        | 90114-SAO-000     | NUT, SELF-LOCK, 6MM           | 1              |                       |
| 027        | 93500-050250H     | SCREW, PAN, 5X25              | 1              |                       |
| 028        | 90605-230-000     | CIRCLIP, 5MM                  | 1              |                       |
| 030        | 93500-040060H     | SCREW, PAN, 4X6               | 1              |                       |
| 032        | 93500-050160A     | SCREW, PAN, 5X16              | 1              |                       |
| 033        | 94050-06000       | NUT, FLANGE, 6MM              | 1              |                       |

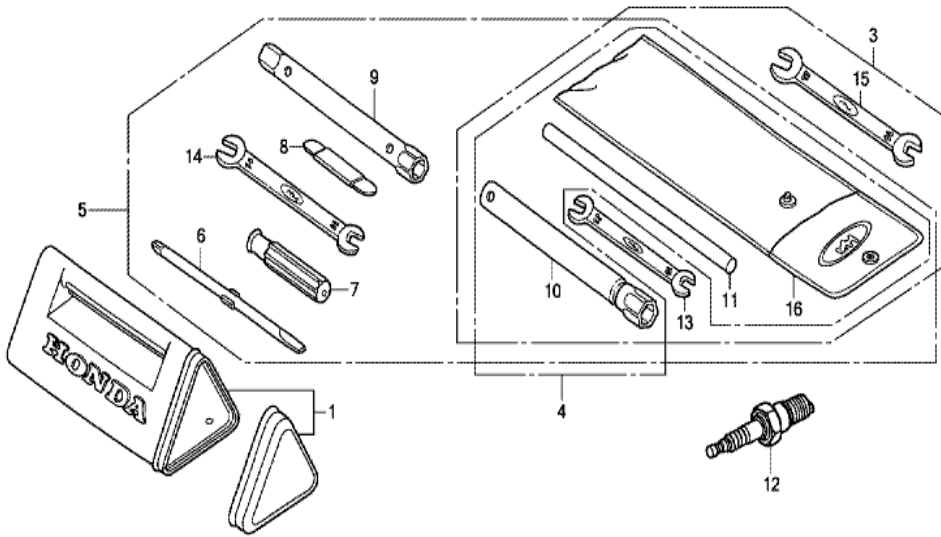


| <u>Ref</u> | <u>Partnumber</u> | <u>Description</u>         | <u>GX160K1</u> | <u>Serial Numbers</u> |
|------------|-------------------|----------------------------|----------------|-----------------------|
| 003        | 87135-ZE2-020     | LABEL, E-SPEC (15.5X27.5)  | 1              | 1001091               |
| 007        | 87522-ZH8-W41     | MARK, CAUTION (PICTOGRAPH) | 1              |                       |
| 014        | 87532-ZH8-W40     | MARK, THROTTLE INDICATION  | 1              |                       |



Z2F0E2801D

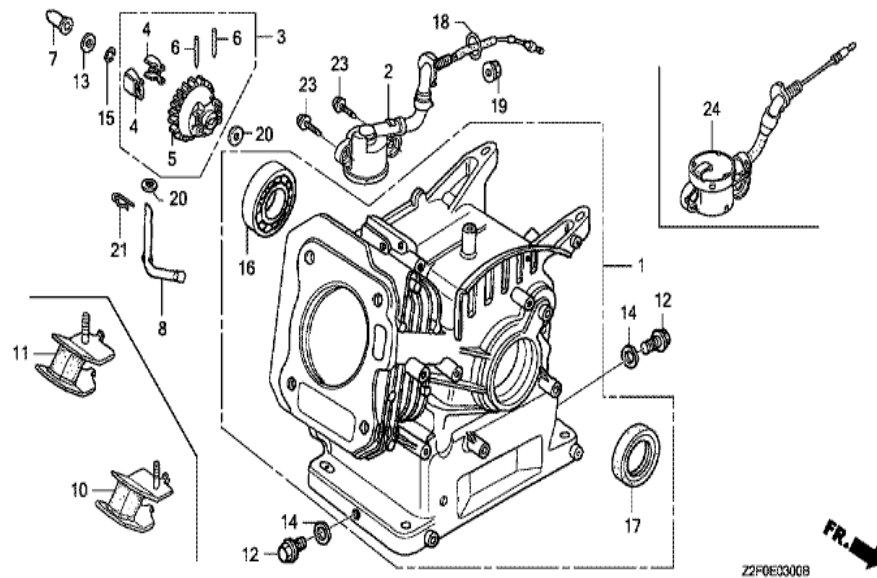
| Ref | Partnumber    | Description        | GX160K1 | Serial Numbers |
|-----|---------------|--------------------|---------|----------------|
| 003 | 87521-ZH8-030 | EMBLEM (GX160 5.5) | 1       |                |



Z2FUE2900A

| Ref | Partnumber    | Description              | GX160K1 | Serial Numbers |
|-----|---------------|--------------------------|---------|----------------|
| 003 | 89000-ZE1-000 | TOOL KIT                 | 1       |                |
| 010 | 89218-ZE1-000 | WRENCH COMP., SPARK PLUG | 1       |                |
| 011 | 89219-805-000 | HANDLE, BOX WRENCH       | 1       |                |
| 013 | 99001-10120   | SPANNER, 10X12           | 1       |                |
| 015 | 99001-14170   | SPANNER, 14X17           | 1       |                |
| 016 | 99008-02300   | BAG, TOOL, 230MM         | 1       |                |

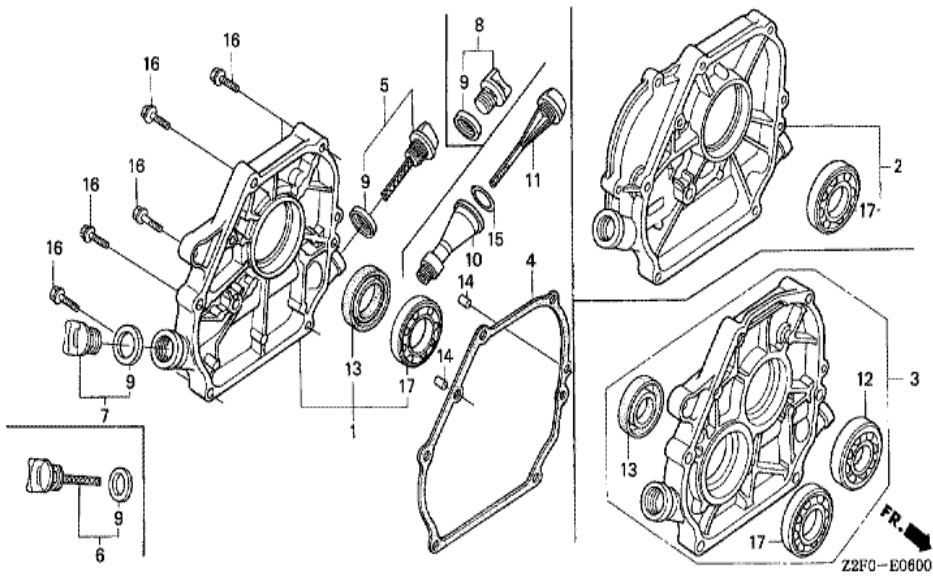




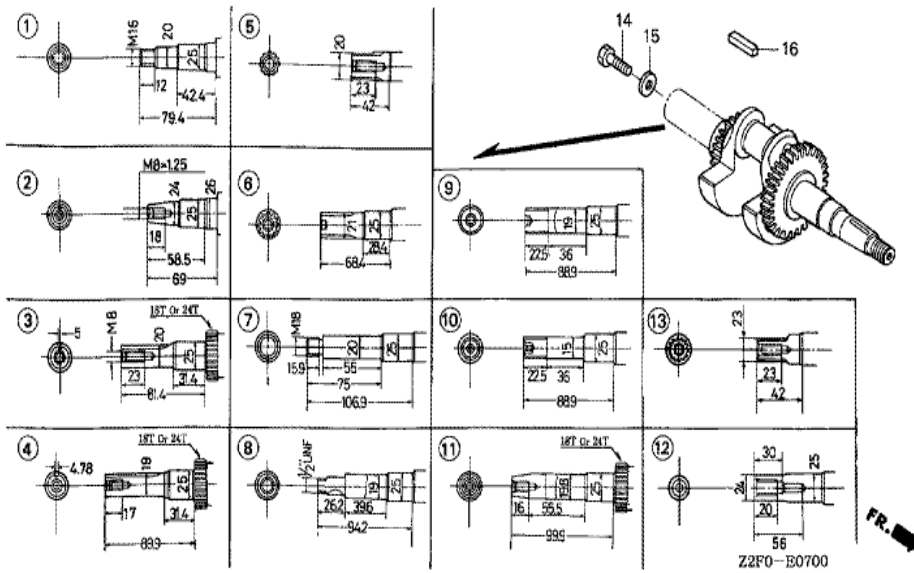
Z2F0E03008



| Ref | Partnumber    | Description                          | GX160K1 | Serial Numbers |
|-----|---------------|--------------------------------------|---------|----------------|
| 001 | 12000-ZH8-426 | BARREL ASSY., CYLINDER (OIL ALERT)   | 1       |                |
| 002 | 15510-ZE1-033 | SWITCH ASSY., OIL LEVEL              | 1       |                |
| 003 | 16510-ZE1-000 | GOVERNOR ASSY.                       | 1       |                |
| 004 | 16511-ZE1-000 | WEIGHT, GOVERNOR                     | 2       |                |
| 005 | 16512-ZE1-000 | HOLDER, GOVERNOR WEIGHT              | 1       |                |
| 006 | 16513-ZE1-000 | PIN, GOVERNOR WEIGHT                 | 2       |                |
| 007 | 16531-ZE1-000 | SLIDER, GOVERNOR                     | 1       |                |
| 008 | 16541-ZE1-000 | SHAFT, GOVERNOR ARM                  | 1       |                |
| 012 | 90131-ZE1-000 | BOLT, DRAIN PLUG                     | 2       |                |
| 013 | 90451-ZE1-000 | WASHER, THRUST, 6MM                  | 1       |                |
| 014 | 90601-ZE1-000 | WASHER, DRAIN PLUG, 10.2MM           | 2       |                |
| 015 | 90602-ZE1-000 | CLIP, GOVERNOR HOLDER                | 1       |                |
| 016 | 91001-ZF1-003 | BEARING, RADIAL BALL (6205TMB) (NTN) | 1       |                |
| Ref | Partnumber    | Description                          | GX160K1 | Serial Numbers |
| 016 | 91001-ZF1-004 | BEARING, RADIAL BALL (6205SH) (KOYO) | 1       |                |
| 017 | 91201-Z0T-801 | OIL SEAL, 25X41X6 (NOK)              | 1       |                |
| 018 | 91353-671-004 | O-RING, 14MM (NOK)                   | 1       |                |
| 019 | 94050-10000   | NUT, FLANGE, 10MM                    | 1       |                |
| 020 | 94101-06800   | WASHER, PLAIN, 6MM                   | 2       |                |
| 021 | 94251-08000   | PIN, LOCK, 8MM                       | 1       |                |
| 023 | 95701-0601200 | BOLT, FLANGE, 6X12                   | 2       |                |

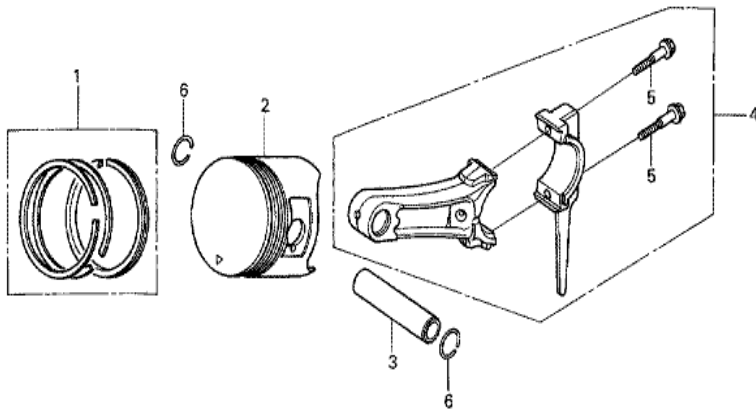


| Ref | Partnumber    | Description                        | GX160K1 | Serial Numbers |
|-----|---------------|------------------------------------|---------|----------------|
| 001 | 11300-ZE1-634 | COVER ASSY., CRANKCASE             | 1       |                |
| 004 | 11381-ZH8-801 | PACKING, CASE COVER (NON ASBESTOS) | 1       |                |
| 005 | 15600-ZE1-003 | CAP ASSY., OIL FILLER (GRAY)       | 1       |                |
| 007 | 15600-ZG4-003 | CAP ASSY., OIL FILLER              | 1       |                |
| 009 | 15625-ZE1-003 | PACKING, OIL FILLER CAP            | 2       |                |
| 013 | 91201-Z0T-801 | OIL SEAL, 25X41X6 (NOK)            | 1       |                |
| 014 | 94301-08140   | DOWEL PIN, 8X14                    | 2       |                |
| 016 | 95701-0803200 | BOLT, FLANGE, 8X32                 | 6       |                |
| 017 | 96100-6205000 | BEARING, RADIAL BALL, 6205         | 1       |                |



Z2F0-B0700

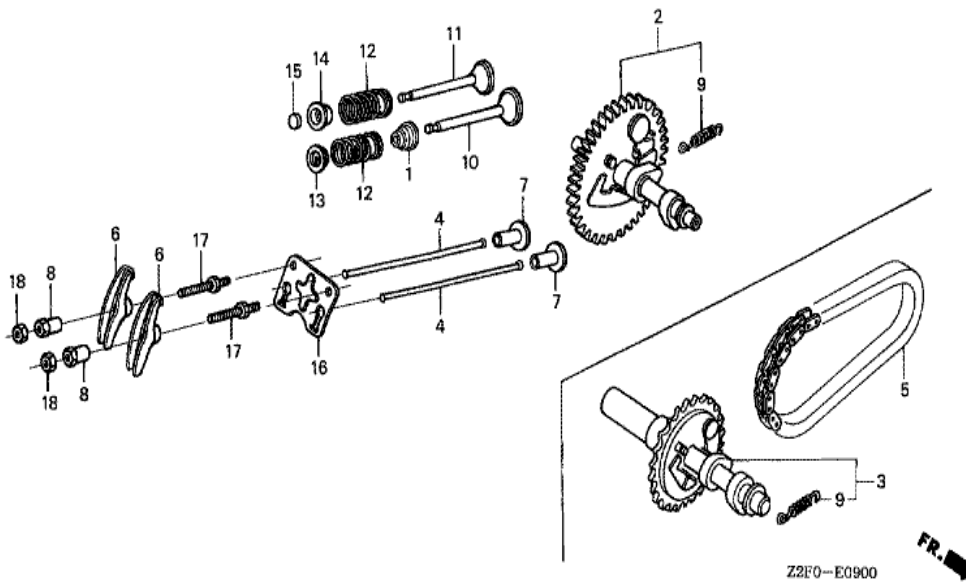
| Ref | Partnumber    | Description            | GX160K1 | Serial Numbers |
|-----|---------------|------------------------|---------|----------------|
| 003 | 13310-ZE1-000 | CRANKSHAFT COMP. (24T) | 1       |                |
| 016 | 90741-883-810 | KEY, 5X5X33 (YELLOW)   | 1       |                |



Z2F0-E0800



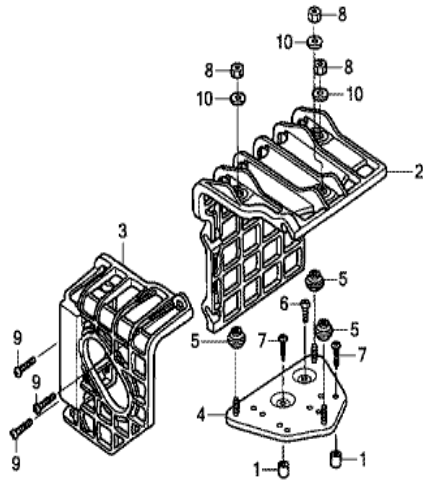
| <u>Ref</u> | <u>Partnumber</u> | <u>Description</u>                | <u>GX160K1</u> | <u>Serial Numbers</u> |
|------------|-------------------|-----------------------------------|----------------|-----------------------|
| 001        | 13010-ZL0-003     | RING SET, PISTON (STD.) (TEIKOKU) | 1              |                       |
| 001        | 13010-ZL0-004     | RING SET, PISTON (STD.) (NIPPON)  | 1              |                       |
| 001        | 13011-ZL0-003     | RING SET, PISTON (0.25) (TEIKOKU) | (1)            |                       |
| 001        | 13011-ZL0-004     | RING SET, PISTON (0.25) (NIPPON)  | (1)            |                       |
| 001        | 13012-ZL0-003     | RING SET, PISTON (0.50) (TEIKOKU) | (1)            |                       |
| 001        | 13012-ZL0-004     | RING SET, PISTON (0.50) (NIPPON)  | (1)            |                       |
| 001        | 13013-ZL0-003     | RING SET, PISTON (0.75) (TEIKOKU) | (1)            |                       |
| 001        | 13013-ZL0-004     | RING SET, PISTON (0.75) (NIPPON)  | (1)            |                       |
| 002        | 13101-ZH8-010     | PISTON (STD.)                     | 1              |                       |
| 002        | 13102-ZH8-010     | PISTON (0.25)                     | (1)            |                       |
| 002        | 13103-ZH8-010     | PISTON (0.50)                     | (1)            |                       |
| 002        | 13104-ZH8-010     | PISTON (0.75)                     | (1)            |                       |
| 003        | 13111-ZE1-000     | PIN, PISTON                       | 1              |                       |
| <u>Ref</u> | <u>Partnumber</u> | <u>Description</u>                | <u>GX160K1</u> | <u>Serial Numbers</u> |
| 004        | 13200-ZE1-010     | ROD ASSY., CONNECTING (STD.)      | 1              |                       |
| 005        | 90001-ZE1-000     | BOLT, CONNECTING ROD              | 2              |                       |
| 006        | 90551-ZE1-000     | CLIP, PISTON PIN, 18MM            | 2              |                       |



Z2F0-E0900

FR. →

| Ref | Partnumber    | Description                | GX160K1 | Serial Numbers |
|-----|---------------|----------------------------|---------|----------------|
| 001 | 12209-ZH8-003 | SEAL, VALVE STEM           | 1       |                |
| 002 | 14100-ZE1-812 | CAMSHAFT ASSY.             | 1       |                |
| 004 | 14410-ZE1-010 | ROD, PUSH                  | 2       |                |
| 006 | 14431-ZE1-000 | ARM, VALVE ROCKER          | 2       |                |
| 007 | 14441-ZE1-010 | LIFTER, VALVE              | 2       |                |
| 008 | 14451-ZE1-013 | PIVOT, ROCKER ARM          | 2       |                |
| 009 | 14568-ZE1-000 | SPRING, WEIGHT RETURN      | 1       |                |
| 010 | 14711-ZF1-000 | VALVE, IN.                 | 1       |                |
| 011 | 14721-ZF1-000 | VALVE, EX.                 | 1       |                |
| 012 | 14751-ZF1-000 | SPRING, VALVE              | 2       |                |
| 013 | 14771-ZE1-000 | RETAINER, IN. VALVE SPRING | 1       |                |
| 014 | 14773-ZE1-000 | RETAINER, EX. VALVE SPRING | 1       |                |
| 015 | 14781-ZE1-000 | ROTATOR, VALVE             | 1       |                |
| Ref | Partnumber    | Description                | GX160K1 | Serial Numbers |
| 016 | 14791-ZE1-010 | PLATE, PUSH ROD GUIDE      | 1       |                |
| 017 | 90012-ZE0-010 | BOLT, PIVOT, 8MM           | 2       |                |
| 018 | 90206-ZE1-000 | NUT, PIVOT ADJUSTING       | 2       |                |



Z2FOX0200

| <u>Ref</u> | <u>Partnumber</u> | <u>Description</u>        | <u>GX160K1</u> | <u>Serial Numbers</u> |
|------------|-------------------|---------------------------|----------------|-----------------------|
| 001        | 17233-896-701     | COLLAR, AIR CLEANER CASE  | (2)            |                       |
| 002        | 18433-ZH8-W40     | COVER COMP., MUFFLER      | (1)            |                       |
| 003        | 18434-ZH8-W40     | COVER COMP., RR. MUFFLER  | (1)            |                       |
| 004        | 18436-ZH8-W40     | BASE COMP., MUFFLER COVER | (1)            |                       |
| 005        | 18466-ZH8-W40     | SPACER, MUFFLER COVER     | (3)            |                       |
| 006        | 90050-ZE1-000     | SCREW, TAPPING, 5X8       | (1)            |                       |
| 007        | 90050-ZH8-W40     | SCREW, TAPPING, 5X25      | (2)            |                       |
| 008        | 90302-KF9-900     | NUT, HEX., 5MM            | (3)            |                       |
| 009        | 93891-0602007     | SCREW-WASHER, 6X20        | (3)            |                       |
| 010        | 94103-05700       | WASHER, PLAIN, 5MM        | (3)            |                       |