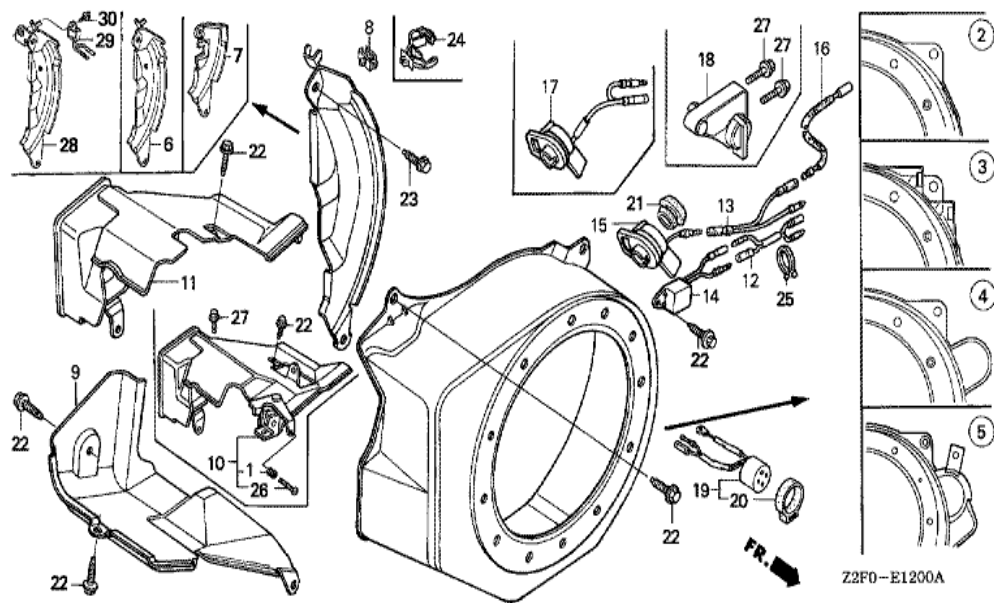
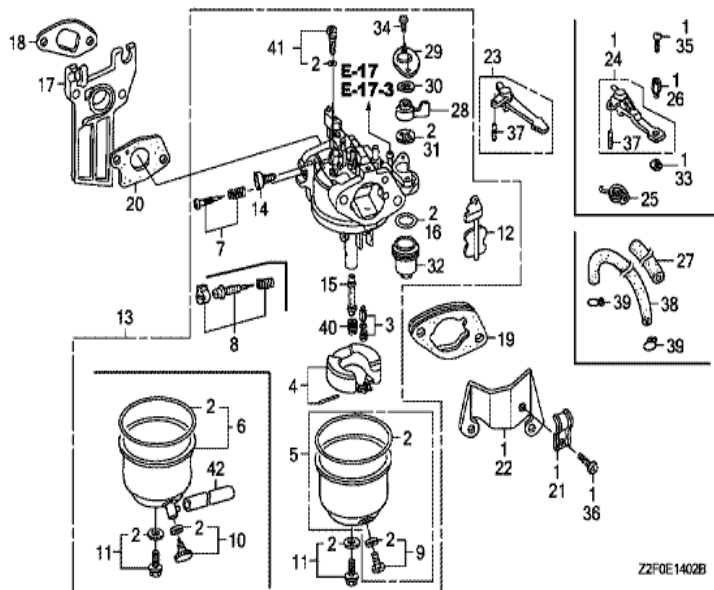


| Ref | Partnumber      | Description                        | GX160K1 | Serial Numbers  |
|-----|-----------------|------------------------------------|---------|-----------------|
| 001 | 28400-Z0T-003ZA | STARTER ASSY., RECOIL *NH1*        | 1       | 1721558         |
| 001 | 28400-Z0T-003ZB | STARTER ASSY., RECOIL *R280*       | 1       | 1721558         |
| 001 | 28400-Z0T-003ZD | STARTER ASSY., RECOIL *T77*        | 1       | 1721558         |
| 001 | 28400-ZH8-023YA | STARTER ASSY., RECOIL *R280 *      | 1       | 1625955         |
| 001 | 28400-ZH8-023ZB | STARTER ASSY., RECOIL *NH1 *       | 1       | 1625955         |
| 001 | 28400-ZH8-023ZT | STARTER ASSY., RECOIL *T77 *       | 1       | 1625955         |
| 001 | 28400-ZH8-033YA | STARTER ASSY., RECOIL *R280*       | 1       | 1625956 1721557 |
| 001 | 28400-ZH8-033ZB | STARTER ASSY., RECOIL *NH1*        | 1       | 1625956 1721557 |
| 001 | 28400-ZH8-033ZT | STARTER ASSY., RECOIL *T77*        | 1       | 1625956 1721557 |
| 004 | 28410-ZH8-003YA | CASE COMP., RECOIL STARTER *R280 * | 1       |                 |
| 004 | 28410-ZH8-003ZB | CASE COMP., RECOIL STARTER *NH1 *  | 1       |                 |
| 004 | 28410-ZH8-003ZT | CASE COMP., RECOIL STARTER *T77 *  | 1       |                 |
| 005 | 28421-Z0T-003   | REEL, RECOIL STARTER               | 1       | 1721558         |
| Ref | Partnumber      | Description                        | GX160K1 | Serial Numbers  |
| 005 | 28421-ZH8-801   | REEL, RECOIL STARTER (BLACK)       | 1       | 1721557         |
| 006 | 28422-ZH8-801   | RATCHET, STARTER                   | 2       |                 |
| 007 | 28431-ZH8-801   | PLATE, FRICTION                    | 1       |                 |
| 008 | 28433-ZH8-801   | GUIDE, RATCHET                     | 1       |                 |
| 009 | 28441-ZH8-801   | SPRING, FRICTION                   | 1       |                 |
| 010 | 28442-ZH8-003   | SPRING, RECOIL STARTER             | 1       |                 |
| 011 | 28443-ZH8-801   | SPRING, RETURN                     | 2       |                 |
| 012 | 28461-ZH8-003   | GRIP, STARTER                      | 1       | 1625955         |
| 012 | 28461-ZH8-013   | KNOB, RECOIL SRARTER               | 1       | 1625956         |
| 013 | 28462-ZH8-003   | ROPE, RECOIL STARTER               | 1       |                 |
| 015 | 90003-ZH8-801   | SCREW, SETTING                     | 1       |                 |



Z2F0-E1200A

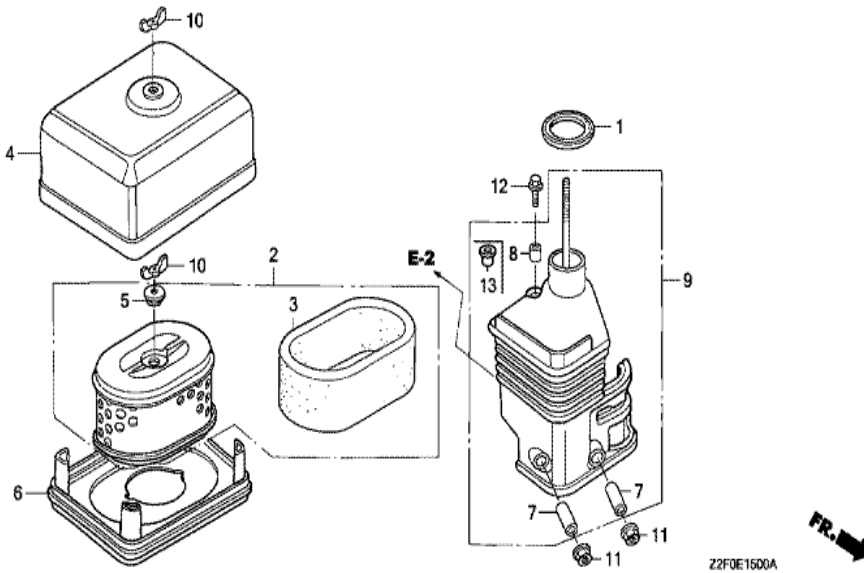
| Ref | Partnumber      | Description                   | GX160K1 | Serial Numbers |
|-----|-----------------|-------------------------------|---------|----------------|
| 002 | 19610-ZE1-000ZC | COVER COMP., FAN *NH1 *       | 1       | 1317119        |
| 002 | 19610-ZE1-000ZM | COVER COMP., FAN *T77 *       | 1       | 1317119        |
| 002 | 19610-ZE1-000ZP | COVER COMP., FAN *R280 *      | 1       | 1317119        |
| 002 | 19610-ZE1-010ZC | COVER COMP., FAN *NH1 *       | 1       | 1317120        |
| 002 | 19610-ZE1-010ZM | COVER COMP., FAN *T77 *       | 1       | 1317120        |
| 002 | 19610-ZE1-010ZP | COVER COMP., FAN *R280 *      | 1       | 1317120        |
| 009 | 19630-ZH8-000   | SHROUD COMP.                  | 1       |                |
| 015 | 36100-ZH7-003   | SWITCH ASSY., ENGINE STOP     | 1       |                |
| 022 | 90013-883-000   | BOLT, FLANGE, 6X12 (CT200)    | 6       |                |
| 023 | 90022-888-010   | BOLT, FLANGE, 6X20 (CT200)    | 1       |                |
| 024 | 90601-ZH7-013   | CLIP, HARNESS                 | 1       |                |
| 028 | 19611-ZH8-810   | PLATE COMP., SIDE (OIL ALERT) | 1       |                |
| 029 | 34150-ZH7-003   | ALERT UNIT, OIL               | 1       | 1361665        |
| Ref | Partnumber      | Description                   | GX160K1 | Serial Numbers |
| 029 | 34150-ZH7-013   | ALERT UNIT, OIL               | 1       | 1361666        |
| 030 | 95701-0600800   | BOLT, FLANGE, 6X8             | 1       |                |



ZZFOE1402B

FR. →

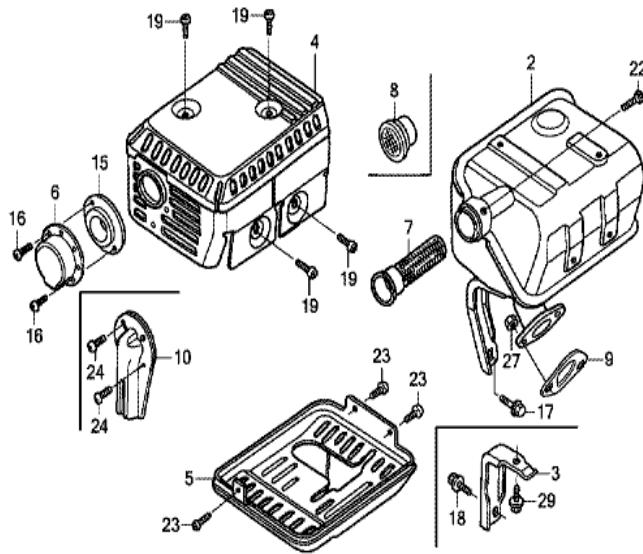
| Ref | Partnumber    | Description                | GX160K1 | Serial Numbers |
|-----|---------------|----------------------------|---------|----------------|
| 002 | 16010-ZE1-812 | GASKET SET                 | 1       |                |
| 003 | 16011-ZE0-005 | VALVE SET, FLOAT           | 1       |                |
| 004 | 16013-ZE0-005 | FLOAT SET                  | 1       |                |
| 005 | 16015-ZE0-831 | CHAMBER SET, FLOAT         | 1       |                |
| 007 | 16016-ZE0-005 | SCREW SET, PILOT           | 1       |                |
| 009 | 16024-ZE1-811 | SCREW SET, DRAIN           | 1       |                |
| 011 | 16028-ZE0-005 | SCREW SET                  | 1       |                |
| 012 | 16044-ZE0-005 | CHOKE SET                  | 1       |                |
| 013 | 16100-ZH8-822 | CARBURETOR ASSY. (BE06J C) | 1       |                |
| 014 | 16124-ZE0-005 | SCREW, THROTTLE STOP       | 1       |                |
| 015 | 16166-ZH8-W50 | NOZZLE, MAIN               | 1       |                |
| 016 | 16173-001-004 | PACKING, FUEL STRAINER CUP | 1       |                |
| 017 | 16211-ZE1-000 | INSULATOR, CARBURETOR      | 1       |                |
| Ref | Partnumber    | Description                | GX160K1 | Serial Numbers |
| 018 | 16212-ZH8-800 | PACKING, INSULATOR         | 1       |                |
| 019 | 16220-ZE1-020 | SPACER COMP., CARBURETOR   | 1       |                |
| 020 | 16221-ZH8-801 | PACKING, CARBURETOR        | 1       |                |
| 023 | 16610-ZE1-000 | LEVER COMP., CHOKE (STD.)  | 1       |                |
| 028 | 16953-ZE1-812 | LEVER, COCK                | 1       |                |
| 029 | 16954-ZE1-812 | PLATE, LEVER SETTING       | 1       |                |
| 030 | 16956-ZE1-811 | SPRING, COCK LEVER         | 1       |                |
| 031 | 16957-ZE1-812 | PACKING, FUEL COCK         | 1       |                |
| 032 | 16967-ZE0-811 | CUP, FUEL STRAINER         | 1       |                |
| 034 | 93500-030061H | SCREW, PAN, 3X6            | 2       |                |
| 037 | 94305-20122   | PIN, SPRING, 2X12          | 1       |                |
| 040 | 99101-ZH80650 | JET, MAIN, #65             | (1)     |                |
| 040 | 99101-ZH80680 | JET, MAIN, #68             | (1)     |                |
| 040 | 99101-ZH80700 | JET, MAIN, #70             | 1       |                |
| 041 | 99204-ZE00350 | JET SET, PILOT, #35        | 1       |                |



Z2F0E15D0A

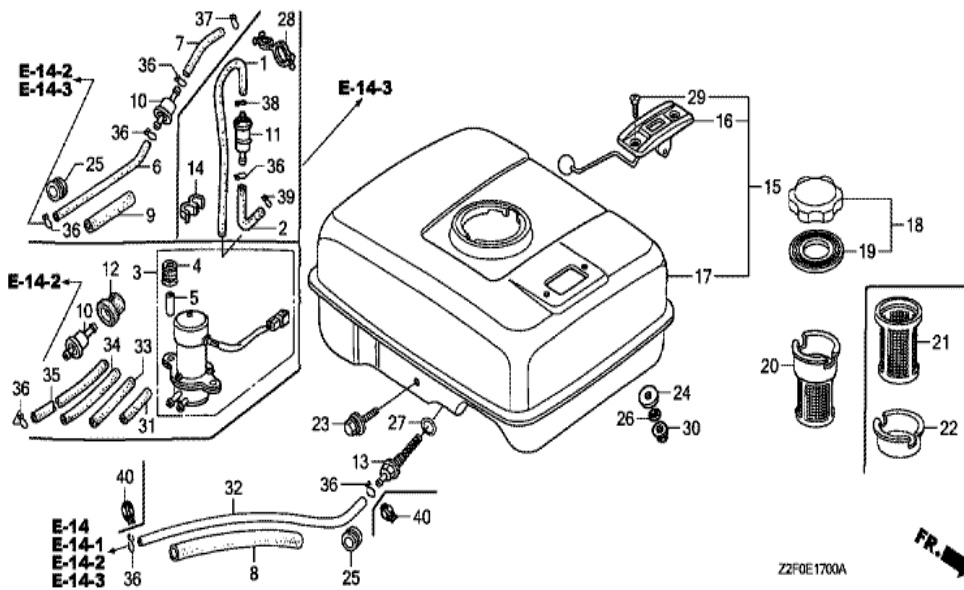
FR. →

| <u>Ref</u> | <u>Partnumber</u> | <u>Description</u>          | <u>GX160K1</u> | <u>Serial Numbers</u> |
|------------|-------------------|-----------------------------|----------------|-----------------------|
| 001        | 16271-ZE1-000     | PACKING, ELBOW              | 1              |                       |
| 002        | 17210-ZE1-822     | ELEMENT, AIR CLEANER (DUAL) | 1              |                       |
| 003        | 17218-ZE1-821     | FILTER, OUTER               | 1              |                       |
| 004        | 17230-ZE1-820     | COVER, AIR CLEANER (DUAL)   | 1              |                       |
| 005        | 17232-891-000     | GROMMET, AIR CLEANER        | 1              |                       |
| 007        | 17238-ZE7-010     | COLLAR, AIR CLEANER         | 2              |                       |
| 008        | 17239-ZE1-000     | COLLAR B, AIR CLEANER       | 1              |                       |
| 009        | 17410-ZE1-020     | ELBOW COMP., AIR CLEANER    | 1              |                       |
| 010        | 90325-044-000     | NUT, TOOL BOX SETTING       | 2              |                       |
| 011        | 94050-06000       | NUT, FLANGE, 6MM            | 2              |                       |
| 012        | 95701-0602000     | BOLT, FLANGE, 6X20          | 1              |                       |

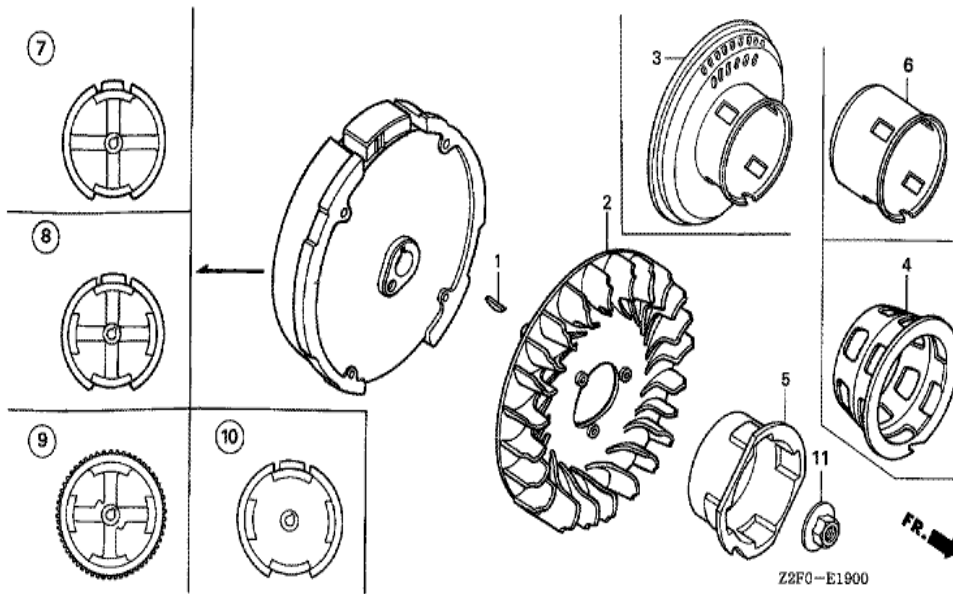


FR. →  
Z2F0E1600A

| Ref | Partnumber    | Description                 | GX160K1 | Serial Numbers |
|-----|---------------|-----------------------------|---------|----------------|
| 002 | 18310-ZE1-821 | MUFFLER COMP. (SILENT)      | 1       |                |
| 002 | 18310-ZH8-810 | MUFFLER COMP. (ARRESTER)    | (1)     |                |
| 003 | 18315-ZE1-000 | STAY, MUFFLER               | 1       |                |
| 004 | 18320-ZF1-H51 | PROTECTOR, MUFFLER (SILENT) | 1       | 1635603        |
| 004 | 18320-ZF1-H52 | PROTECTOR, MUFFLER (SILENT) | 1       | 1635604        |
| 007 | 18355-ZE1-000 | ARRESTER, SPARK             | (1)     |                |
| 009 | 18381-ZH8-800 | GASKET, MUFFLER             | 1       |                |
| 018 | 90016-ZE1-000 | BOLT, FLANGE, 6X13 (CT200)  | 1       |                |
| 019 | 90050-ZE3-H00 | SCREW, TAPPING, 5X8         | 4       |                |
| 022 | 90055-ZE1-000 | SCREW, TAPPING, 4X6         | (1)     |                |
| 027 | 94001-080000S | NUT, HEX., 8MM              | 2       |                |
| 029 | 95701-0601200 | BOLT, FLANGE, 6X12          | 1       |                |

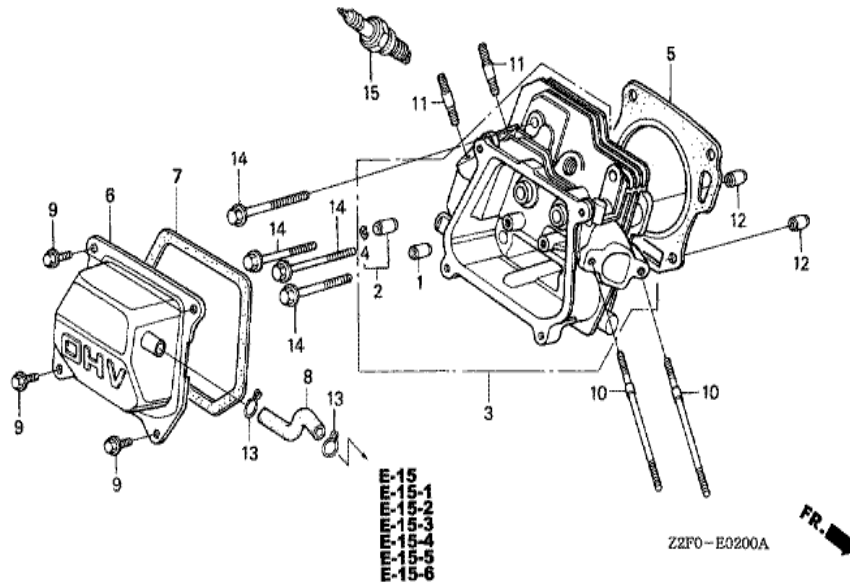


| Ref | Partnumber      | Description                               | GX160K1 | Serial Numbers |
|-----|-----------------|---|---------|----------------|
| 008 | 16854-ZH8-000   | RUBBER, SUPPORTER (107MM)                 | 1       |                |
| 013 | 16955-ZE1-000   | JOINT, FUEL TANK                          | 1       | 1696174        |
| 013 | 16955-ZE1-010   | JOINT, FUEL TANK                          | 1       | 1696175        |
| 017 | 17510-ZE1-020ZA | TANK COMP., FUEL *NH31 *                  | 1       | 1342707        |
| 017 | 17510-ZE1-020ZF | TANK COMP., FUEL *NH1 *                   | 1       | 1342707        |
| 017 | 17510-ZE1-020ZK | TANK COMP., FUEL *Y131 *                  | 1       |                |
| 017 | 17510-ZE1-020ZL | TANK COMP., FUEL *T77 *                   | 1       | 1342707        |
| 017 | 17510-ZE1-020ZN | TANK COMP., FUEL *R280 *                  | 1       | 1342707        |
| 017 | 17510-ZE1-030ZA | TANK COMP., FUEL *NH31 *                  | 1       | 1342708        |
| 017 | 17510-ZE1-030ZF | TANK COMP., FUEL *NH1 *                   | 1       |                |
| 017 | 17510-ZE1-030ZL | TANK COMP., FUEL *T77 *                   | 1       | 1342708        |
| 017 | 17510-ZE1-030ZN | TANK COMP., FUEL *R280 *                  | 1       | 1342708        |
| 018 | 17620-ZOT-305   | CAP COMP., FUEL FILLER (CHROME PLATED)    | 1       |                |
| Ref | Partnumber      | Description                               | GX160K1 | Serial Numbers |
| 019 | 17631-ZOT-812   | PACKING, FUEL FILLER CAP (39X62X3) (TOUY) | 1       |                |
| 020 | 17672-ZE2-W01   | FILTER, FUEL                              | 1       |                |
| 023 | 90004-ZH7-003   | BOLT, FLANGE, 6X29                        | 1       |                |
| 027 | 91353-671-004   | O-RING, 14MM (NOK)                        | 1       |                |
| 030 | 94050-06000     | NUT, FLANGE, 6MM                          | 2       |                |
| 032 | 95001-4514040   | TUBE, FUEL, 4.5X140 (95001-45001-60M)     | 1       |                |
| 036 | 95002-02080     | CLIP, TUBE (B8)                           | 2       |                |



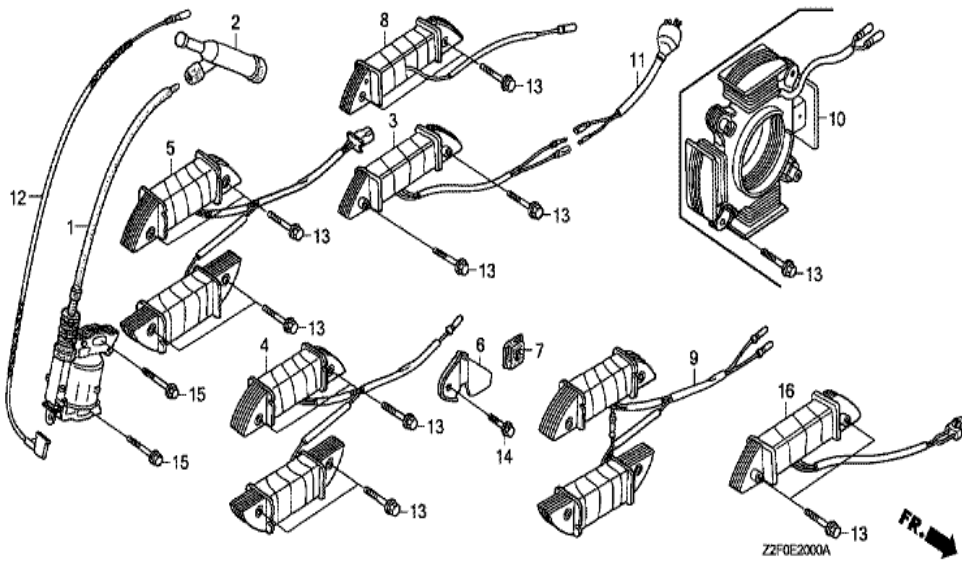
Z2F0-E1900

| Ref | Partnumber    | Description                  | GX160K1 | Serial Numbers |
|-----|---------------|------------------------------|---------|----------------|
| 001 | 13331-357-000 | KEY, SPECIAL WOODRUFF, 25X18 | 1       |                |
| 002 | 19511-ZE1-000 | FAN, COOLING                 | 1       |                |
| 006 | 28451-ZH8-801 | PULLEY, STARTER              | 1       |                |
| 007 | 31100-ZE1-010 | FLYWHEEL COMP.               | 1       |                |
| 011 | 90201-878-003 | NUT, SPECIAL, 14MM           | 1       |                |

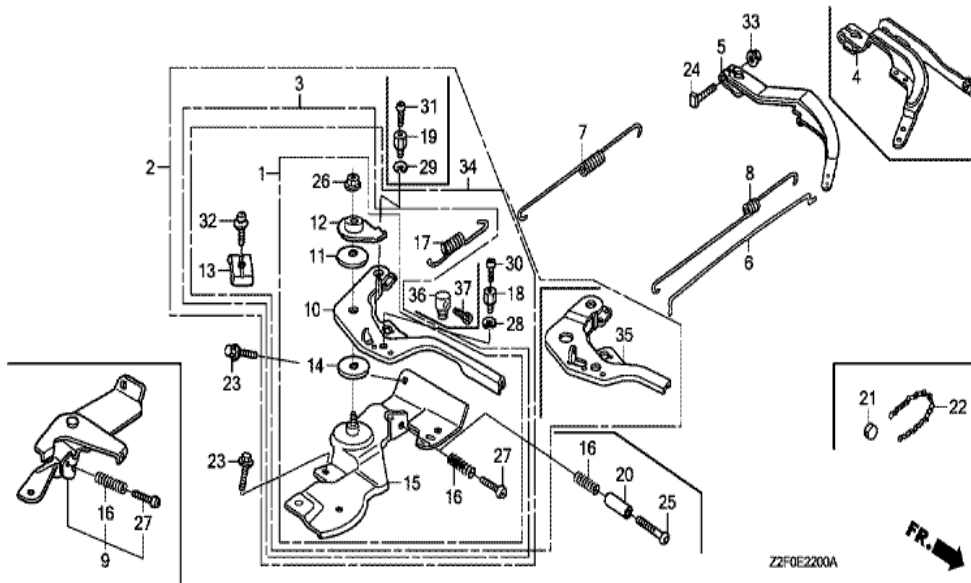


| Ref | Partnumber    | Description                    | GX160K1 | Serial Numbers |
|-----|---------------|--------------------------------|---------|----------------|
| 001 | 12204-ZE1-306 | GUIDE, IN. VALVE (OS)          | 1       |                |
| 002 | 12205-ZE1-315 | GUIDE, EX. VALVE (OS)          | 1       |                |
| 003 | 12210-ZH8-405 | HEAD COMP., CYLINDER           | 1       | 1237986        |
| 003 | 12210-ZH8-415 | HEAD COMP., CYLINDER           | 1       | 1237987        |
| 004 | 12216-ZE5-300 | CLIP, VALVE GUIDE              | 1       |                |
| 005 | 12251-ZF1-800 | GASKET, CYLINDER HEAD          | 1       |                |
| 006 | 12310-ZE1-020 | COVER COMP., HEAD              | 1       |                |
| 007 | 12391-ZE1-000 | PACKING, HEAD COVER            | 1       |                |
| 008 | 15721-ZH8-000 | TUBE, BREATHER                 | 1       |                |
| 009 | 90013-883-000 | BOLT, FLANGE, 6X12 (CT200)     | 4       |                |
| 010 | 90043-ZE1-020 | BOLT, STUD, 6X112              | 2       |                |
| 011 | 90047-ZE1-000 | BOLT, STUD, 8X32               | 2       |                |
| 012 | 94301-10160   | DOWEL PIN, 10X16               | 2       |                |
| Ref | Partnumber    | Description                    | GX160K1 | Serial Numbers |
| 014 | 95701-0806000 | BOLT, FLANGE, 8X60             | 4       | 1349665        |
| 014 | 95723-0806000 | BOLT, FLANGE, 8X60             | 4       | 1349664        |
| 015 | 98079-55846   | PLUG, SPARK (BPR5ES) (NGK)     | 1       |                |
| 015 | 98079-55855   | PLUG, SPARK (W16EPR-U) (DENSO) | 1       |                |
| 015 | 98079-56841   | PLUG, SPARK (BP6ES) (NGK)      | 1       |                |
| 015 | 98079-56854   | PLUG, SPARK (W20EP-U) (DENSO)  | 1       |                |

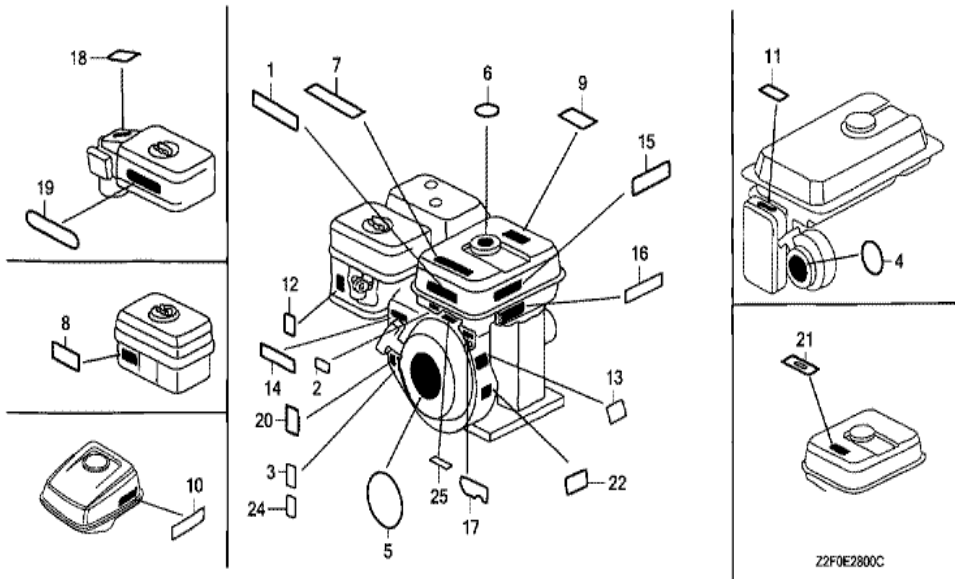




| Ref | Partnumber    | Description                              | GX160K1 | Serial Numbers  |
|-----|---------------|--|---------|-----------------|
| 001 | 30500-ZE1-043 | COIL ASSY., IGNITION                     | 1       | 1049706         |
| 001 | 30500-ZE1-053 | COIL ASSY., IGNITION                     | 1       | 1049707 1067684 |
| 001 | 30500-ZE1-063 | COIL ASSY., IGNITION                     | 1       | 1067685 1346318 |
| 001 | 30500-ZE1-073 | COIL ASSY., IGNITION                     | 1       | 1346319         |
| 002 | 30600-ZE1-013 | TERMINAL ASSY., HIGH TENSION (NICHIWA Y- | 1       |                 |
| 012 | 36101-ZE1-010 | CORD, STOP SWITCH (370MM)                | 1       |                 |
| 015 | 90121-952-000 | BOLT, FLANGE, 6X25 (CT200)               | 2       |                 |

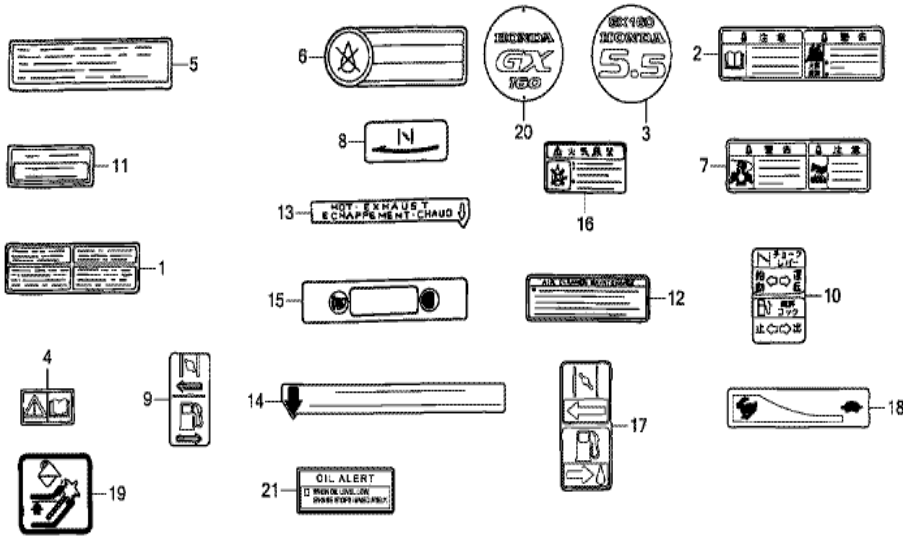


| Ref | Partnumber    | Description                | GX160K1 | Serial Numbers |
|-----|---------------|----------------------------|---------|----------------|
| 005 | 16551-ZL0-000 | ARM, GOVERNOR              | 1       |                |
| 006 | 16555-ZE1-000 | ROD, GOVERNOR              | 1       |                |
| 007 | 16561-ZL0-000 | SPRING, GOVERNOR           | 1       |                |
| 008 | 16562-ZE1-020 | SPRING, THROTTLE RETURN    | 1       |                |
| 009 | 16570-ZK8-U30 | CONTROL ASSY. (WACKER)     | 1       |                |
| 016 | 16584-883-300 | SPRING, CONTROL ADJUSTING  | 1       |                |
| 023 | 90013-883-000 | BOLT, FLANGE, 6X12 (CT200) | 2       |                |
| 024 | 90015-ZE5-010 | BOLT, GOVERNOR ARM         | 1       |                |
| 027 | 93500-050400G | SCREW, PAN, 5X40           | 1       |                |
| 033 | 94050-06000   | NUT, FLANGE, 6MM           | 1       |                |



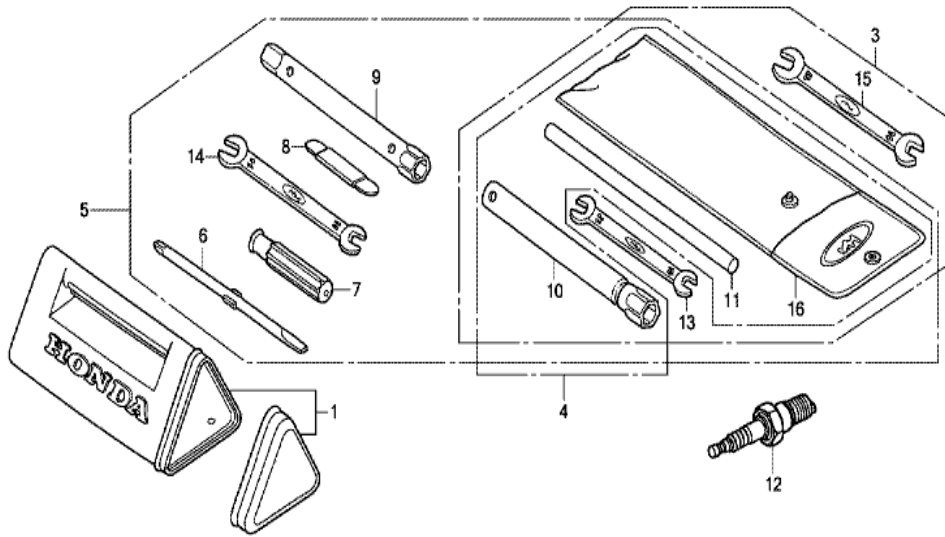
Z2F0E2800C

| Ref | Partnumber    | Description                             | GX160K1 | Serial Numbers |
|-----|---------------|---|---------|----------------|
| 001 | 87522-ZH9-010 | LABEL, CAUTION (ENGLISH, ETC.)          | 1       |                |
| 002 | 87135-ZE2-020 | LABEL, E-SPEC (15.5X27.5)               | 1       | 1165999        |
| 007 | 87522-ZH9-010 | LABEL, CAUTION (ENGLISH, ETC.)          | 1       |                |
| 012 | 87528-ZE1-810 | MARK, CHOKE                             | 1       |                |
| 016 | 87530-ZL8-850 | MARK, OIL ALERT (ENGLISH)               | 1       | 1478076        |
| 016 | 87532-ZH8-810 | MARK, OIL ALERT (ENGLISH)               | 1       | 1478075        |
| 024 | 87114-ZH7-000 | LABEL, WARNING (NOT CERTIFIED FOR SALE) | 1       | 1055702        |



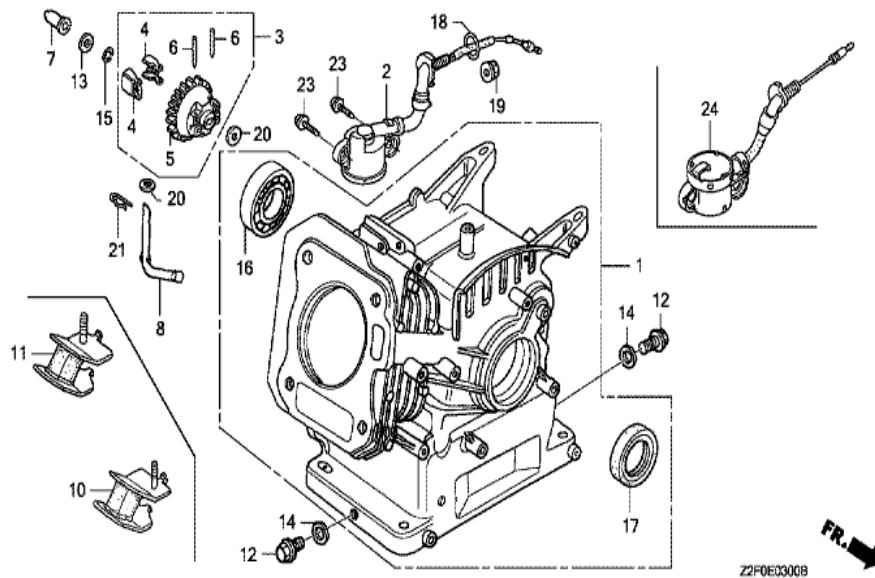
Z2F0E2801D

| Ref | Partnumber    | Description        | GX160K1 | Serial Numbers |
|-----|---------------|--------------------|---------|----------------|
| 003 | 87521-ZH8-030 | EMBLEM (GX160 5.5) | 1       | 1314912        |
| 020 | 87521-ZH8-040 | EMBLEM (GX160)     | 1       | 1314913        |



Z2FUE2900A

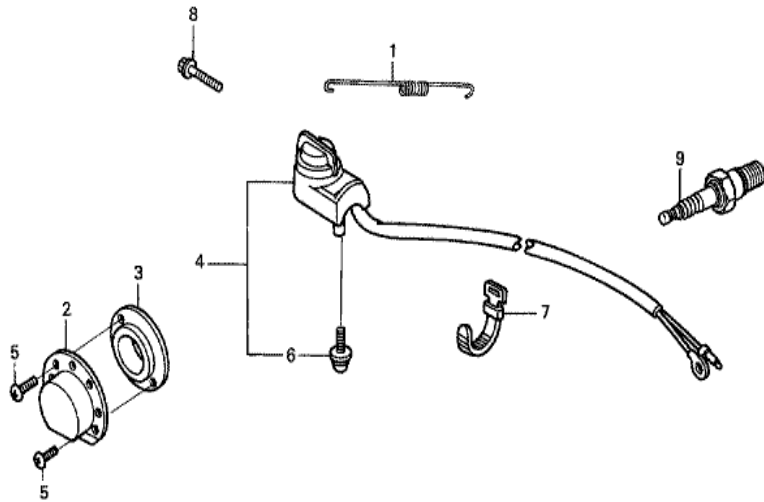
| <u>Ref</u> | <u>Partnumber</u> | <u>Description</u>       | <u>GX160K1</u> | <u>Serial Numbers</u> |
|------------|-------------------|--------------------------|----------------|-----------------------|
| 010        | 89218-ZE1-000     | WRENCH COMP., SPARK PLUG | 1              |                       |



Z2F0E03008

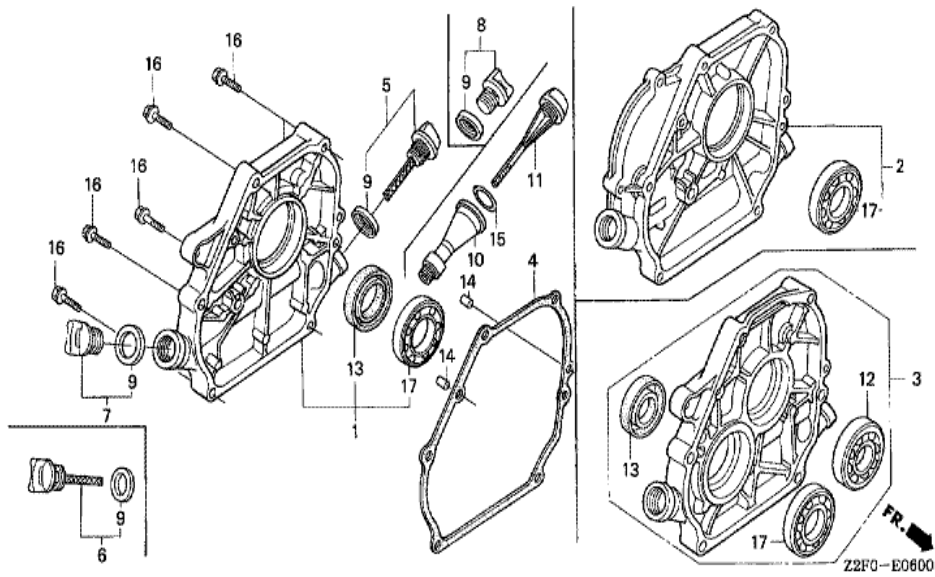


| Ref | Partnumber    | Description                          | GX160K1 | Serial Numbers  |
|-----|---------------|--------------------------------------|---------|-----------------|
| 001 | 12000-ZH8-426 | BARREL ASSY., CYLINDER (OIL ALERT)   | 1       |                 |
| 002 | 15510-ZE1-033 | SWITCH ASSY., OIL LEVEL              | 1       | 1359761         |
| 002 | 15510-ZE1-043 | SWITCH ASSY., OIL LEVEL              | 1       | 1359762 1513849 |
| 003 | 16506-ZL0-000 | GOVERNOR ASSY.                       | 1       |                 |
| 007 | 16531-ZE1-000 | SLIDER, GOVERNOR                     | 1       |                 |
| 008 | 16541-ZE1-000 | SHAFT, GOVERNOR ARM                  | 1       |                 |
| 010 | 68326-ZB2-000 | RUBBER, FR. BOTTOM                   | 2       |                 |
| 011 | 68327-ZB2-000 | RUBBER, RR. BOTTOM                   | 2       |                 |
| 012 | 90131-ZE1-000 | BOLT, DRAIN PLUG                     | 2       |                 |
| 013 | 90451-ZE1-000 | WASHER, THRUST, 6MM                  | 1       |                 |
| 014 | 90601-ZE1-000 | WASHER, DRAIN PLUG, 10.2MM           | 2       |                 |
| 015 | 90602-ZE1-000 | CLIP, GOVERNOR HOLDER                | 1       |                 |
| 016 | 91001-Z1T-003 | BEARING, RADIAL BALL, 6205 (NSK)     | 1       |                 |
| Ref | Partnumber    | Description                          | GX160K1 | Serial Numbers  |
| 016 | 91001-ZF1-003 | BEARING, RADIAL BALL (6205TMB) (NTN) | 1       |                 |
| 016 | 91001-ZF1-004 | BEARING, RADIAL BALL (6205SH) (KOYO) | 1       |                 |
| 017 | 91201-Z0T-801 | OIL SEAL, 25X41X6 (NOK)              | 1       |                 |
| 018 | 91353-671-004 | O-RING, 14MM (NOK)                   | 1       |                 |
| 019 | 94050-10000   | NUT, FLANGE, 10MM                    | 1       |                 |
| 020 | 94101-06800   | WASHER, PLAIN, 6MM                   | 2       |                 |
| 021 | 94251-08000   | PIN, LOCK, 8MM                       | 1       |                 |
| 023 | 95701-0601200 | BOLT, FLANGE, 6X12                   | 2       |                 |
| 024 | 35480-Z0T-003 | SWITCH ASSY., OIL LEVEL              | 1       | 1513850         |



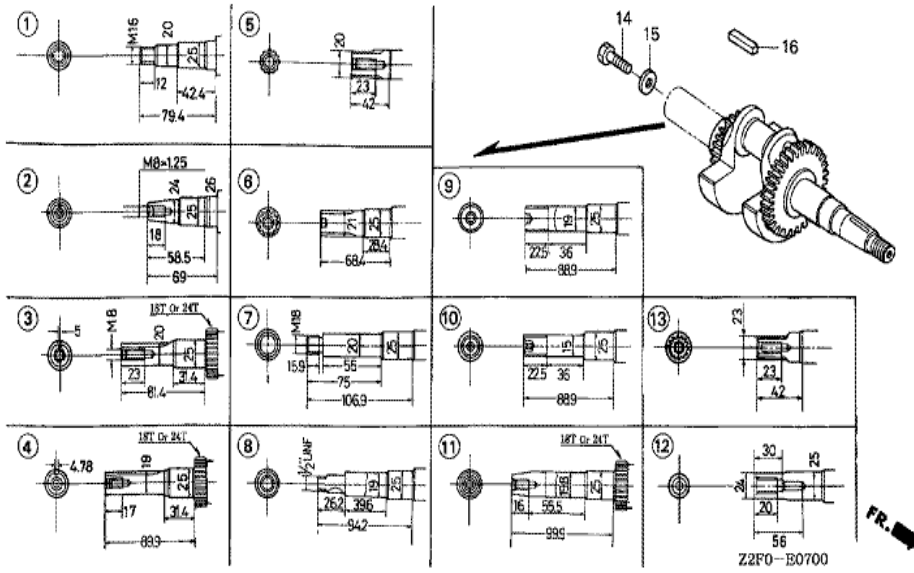
Z2F0-E4000

| Ref | Partnumber  | Description               | GX160K1 | Serial Numbers |
|-----|-------------|---------------------------|---------|----------------|
| 009 | 98079-56841 | PLUG, SPARK (BP6ES) (NGK) | 1       |                |

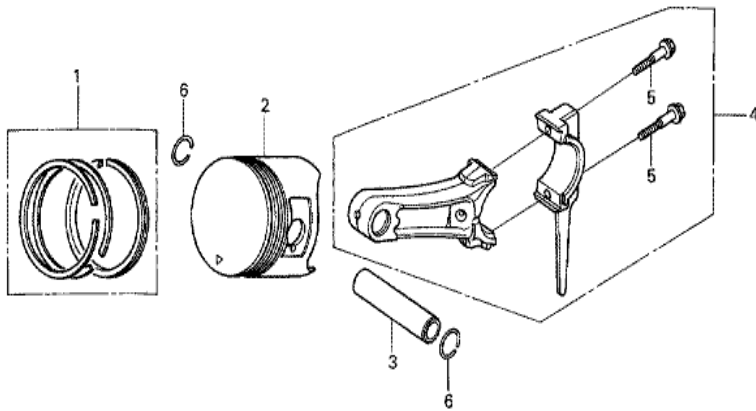


| Ref | Partnumber    | Description                        | GX160K1 | Serial Numbers |
|-----|---------------|------------------------------------|---------|----------------|
| 001 | 11300-ZE1-634 | COVER ASSY., CRANKCASE             | 1       |                |
| 004 | 11381-ZH8-801 | PACKING, CASE COVER (NON ASBESTOS) | 1       |                |
| 005 | 15600-ZE1-003 | CAP ASSY., OIL FILLER (GRAY)       | 1       |                |
| 007 | 15600-ZG4-003 | CAP ASSY., OIL FILLER              | 1       |                |
| 009 | 15625-ZE1-003 | PACKING, OIL FILLER CAP            | 2       |                |
| 013 | 91201-ZOT-801 | OIL SEAL, 25X41X6 (NOK)            | 1       |                |
| 014 | 94301-08140   | DOWEL PIN, 8X14                    | 2       |                |
| 016 | 95701-0803200 | BOLT, FLANGE, 8X32                 | 6       |                |
| 017 | 96100-6205000 | BEARING, RADIAL BALL, 6205         | 1       |                |





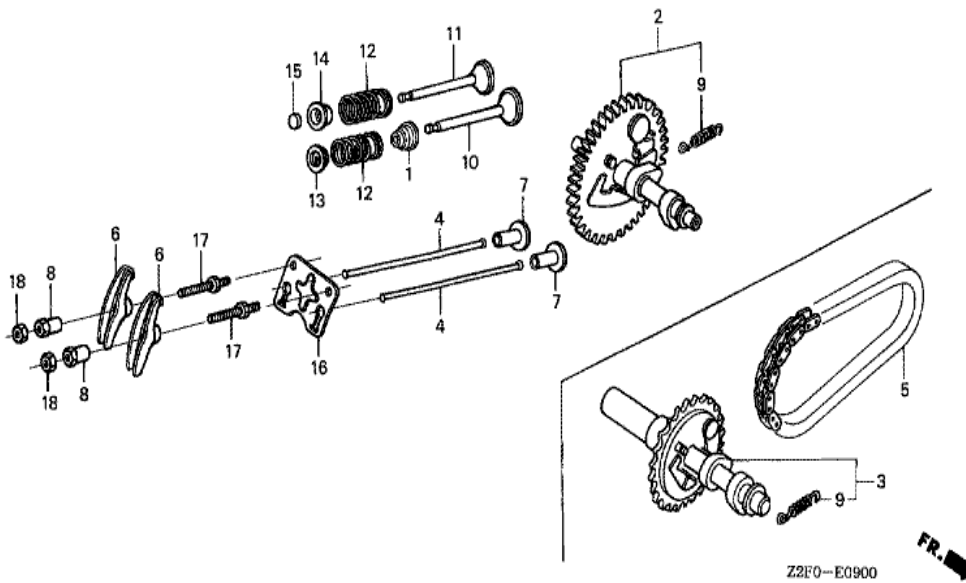
| Ref | Partnumber    | Description            | GX160K1 | Serial Numbers |
|-----|---------------|------------------------|---------|----------------|
| 011 | 13310-ZE1-670 | CRANKSHAFT COMP. (24T) | 1       |                |



Z2F0-E0800



| <u>Ref</u> | <u>Partnumber</u> | <u>Description</u>                | <u>GX160K1</u> | <u>Serial Numbers</u> |
|------------|-------------------|-----------------------------------|----------------|-----------------------|
| 001        | 13010-Z4K-004     | RING SET, PISTON (STD.) (TPR)     | 1              | 1314913               |
| 001        | 13010-ZL0-003     | RING SET, PISTON (STD.) (TEIKOKU) | 1              | 1314912               |
| 001        | 13010-ZL0-004     | RING SET, PISTON (STD.) (NIPPON)  | 1              | 1314912               |
| 001        | 13011-Z4K-004     | RING SET, PISTON (0.25) (TPR)     | (1)            | 1314913               |
| 001        | 13011-ZL0-003     | RING SET, PISTON (0.25) (TEIKOKU) | (1)            | 1314912               |
| 001        | 13011-ZL0-004     | RING SET, PISTON (0.25) (NIPPON)  | (1)            | 1314912               |
| 001        | 13012-Z4K-004     | RING SET, PISTON (0.50) (TPR)     | (1)            | 1314913               |
| 001        | 13012-ZL0-003     | RING SET, PISTON (0.50) (TEIKOKU) | (1)            | 1314912               |
| 001        | 13012-ZL0-004     | RING SET, PISTON (0.50) (NIPPON)  | (1)            | 1314912               |
| 001        | 13013-Z4K-004     | RING SET, PISTON (0.75) (TPR)     | (1)            | 1314913               |
| 001        | 13013-ZL0-003     | RING SET, PISTON (0.75) (TEIKOKU) | (1)            | 1314912               |
| 001        | 13013-ZL0-004     | RING SET, PISTON (0.75) (NIPPON)  | (1)            | 1314912               |
| 002        | 13101-ZH8-010     | PISTON (STD.)                     | 1              | 1314912               |
| <u>Ref</u> | <u>Partnumber</u> | <u>Description</u>                | <u>GX160K1</u> | <u>Serial Numbers</u> |
| 002        | 13101-ZH8-020     | PISTON (STD.)                     | 1              | 1314913               |
| 002        | 13102-ZH8-010     | PISTON (0.25)                     | (1)            | 1314912               |
| 002        | 13102-ZH8-020     | PISTON (0.25)                     | (1)            | 1314913               |
| 002        | 13103-ZH8-010     | PISTON (0.50)                     | (1)            | 1314912               |
| 002        | 13103-ZH8-020     | PISTON (0.50)                     | (1)            | 1314913               |
| 002        | 13104-ZH8-010     | PISTON (0.75)                     | (1)            | 1314912               |
| 002        | 13104-ZH8-020     | PISTON (0.75)                     | (1)            | 1314913               |
| 003        | 13111-ZE1-000     | PIN, PISTON                       | 1              |                       |
| 004        | 13200-ZE1-010     | ROD ASSY., CONNECTING (STD.)      | 1              | 1596553               |
| 004        | 13200-ZE1-020     | ROD ASSY., CONNECTING (STD.)      | 1              | 1596554               |
| 005        | 90001-ZE1-000     | BOLT, CONNECTING ROD              | 2              |                       |
| 006        | 90551-ZE1-000     | CLIP, PISTON PIN, 18MM            | 2              |                       |



Z2F0-E0900



| Ref | Partnumber    | Description                | GX160K1 | Serial Numbers |
|-----|---------------|----------------------------|---------|----------------|
| 001 | 12209-ZH8-003 | SEAL, VALVE STEM           | 1       |                |
| 002 | 14100-ZL0-000 | CAMSHAFT ASSY.             | 1       |                |
| 004 | 14410-ZE1-010 | ROD, PUSH                  | 2       |                |
| 006 | 14431-ZE1-000 | ARM, VALVE ROCKER          | 2       |                |
| 007 | 14441-ZE1-010 | LIFTER, VALVE              | 2       |                |
| 008 | 14451-ZE1-013 | PIVOT, ROCKER ARM          | 2       |                |
| 009 | 14568-ZE1-000 | SPRING, WEIGHT RETURN      | 1       |                |
| 010 | 14711-ZF1-000 | VALVE, IN.                 | 1       |                |
| 011 | 14721-ZF1-000 | VALVE, EX.                 | 1       |                |
| 012 | 14751-ZF1-000 | SPRING, VALVE              | 2       |                |
| 013 | 14771-ZE1-000 | RETAINER, IN. VALVE SPRING | 1       |                |
| 014 | 14773-ZE1-000 | RETAINER, EX. VALVE SPRING | 1       |                |
| 015 | 14781-ZE1-000 | ROTATOR, VALVE             | 1       |                |
| Ref | Partnumber    | Description                | GX160K1 | Serial Numbers |
| 016 | 14791-ZE1-010 | PLATE, PUSH ROD GUIDE      | 1       |                |
| 017 | 90012-ZE0-010 | BOLT, PIVOT, 8MM           | 2       |                |
| 018 | 90206-ZE1-000 | NUT, PIVOT ADJUSTING       | 2       |                |