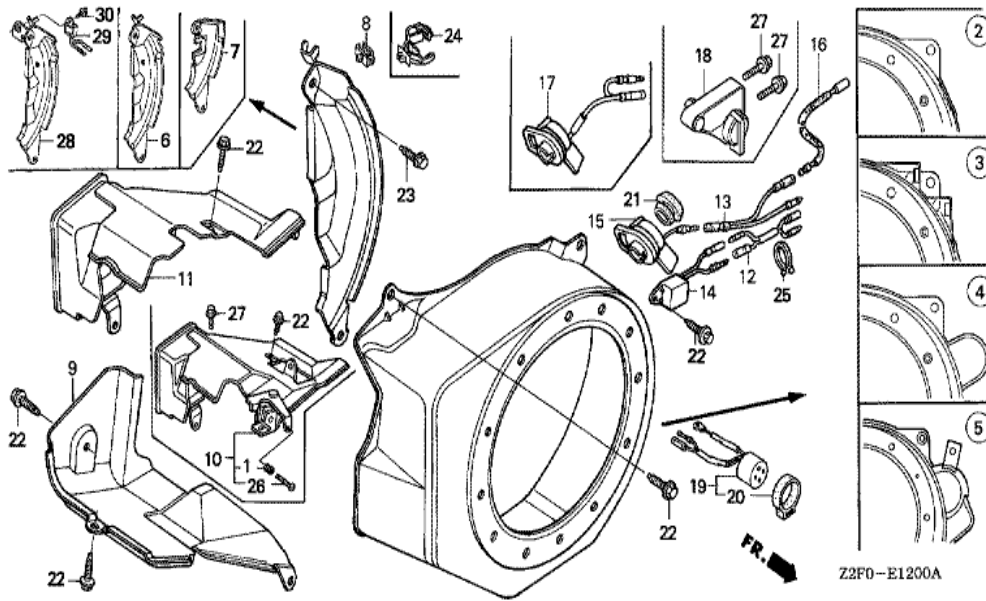
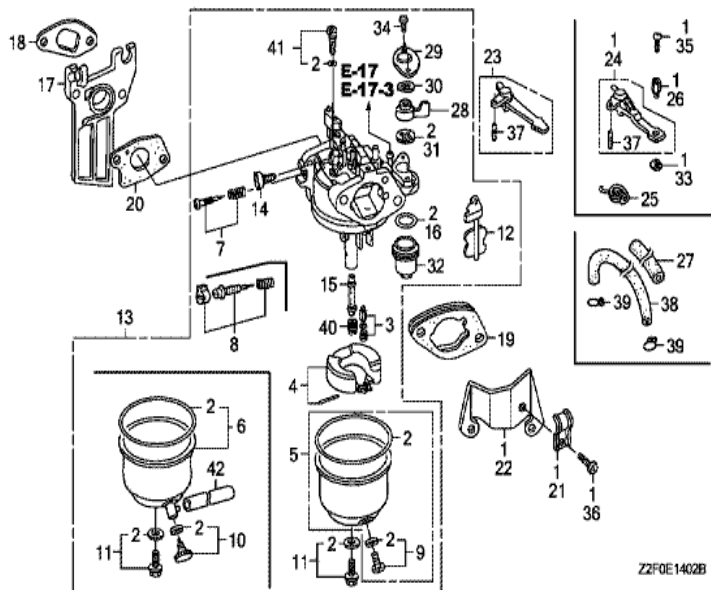


Ref	Partnumber	Description	GX160K1	Serial Numbers
001	28400-ZH8-023YA	STARTER ASSY., RECOIL *R280 *	1	1625955
001	28400-ZH8-023ZB	STARTER ASSY., RECOIL *NH1 *	1	1625955
001	28400-ZH8-023ZW	STARTER ASSY., RECOIL *T80 *	1	1625955
001	28400-ZH8-033YA	STARTER ASSY., RECOIL *R280*	1	1625956
001	28400-ZH8-033ZB	STARTER ASSY., RECOIL *NH1*	1	1625956
001	28400-ZH8-033ZW	STARTER ASSY., RECOIL *T80*	1	1625956
004	28410-ZH8-003YA	CASE COMP., RECOIL STARTER *R280 *	1	
004	28410-ZH8-003ZB	CASE COMP., RECOIL STARTER *NH1 *	1	
004	28410-ZH8-003ZW	CASE COMP., RECOIL STARTER *T80 *	1	
005	28421-ZH8-801	REEL, RECOIL STARTER (BLACK)	1	
006	28422-ZH8-801	RATCHET, STARTER	2	
007	28431-ZH8-801	PLATE, FRICTION	1	
008	28433-ZH8-801	GUIDE, RATCHET	1	
Ref	Partnumber	Description	GX160K1	Serial Numbers
009	28441-ZH8-801	SPRING, FRICTION	1	
010	28442-ZH8-003	SPRING, RECOIL STARTER	1	
011	28443-ZH8-801	SPRING, RETURN	2	
012	28461-ZH8-003	GRIP, STARTER	1	1625955
012	28461-ZH8-013	KNOB, RECOIL SRARTER	1	1625956
013	28462-ZH8-003	ROPE, RECOIL STARTER	1	
015	90003-ZH8-801	SCREW, SETTING	1	



Z3F0-E1200A

Ref	Partnumber	Description	GX160K1	Serial Numbers
002	19610-ZE1-010ZC	COVER COMP., FAN *NH1 *	1	
002	19610-ZE1-010ZN	COVER COMP., FAN *T80 *	1	
002	19610-ZE1-010ZP	COVER COMP., FAN *R280 *	1	
009	19630-ZH8-000	SHROUD COMP.	1	
015	36100-ZH7-003	SWITCH ASSY., ENGINE STOP	1	
022	90013-883-000	BOLT, FLANGE, 6X12 (CT200)	6	
023	90022-888-010	BOLT, FLANGE, 6X20 (CT200)	1	
024	90601-ZH7-013	CLIP, HARNESS	1	
028	19611-ZH8-810	PLATE COMP., SIDE (OIL ALERT)	1	
029	34150-ZH7-013	ALERT UNIT, OIL	1	
030	95701-0600800	BOLT, FLANGE, 6X8	1	



Ref	Partnumber	Description	GX160K1	Serial Numbers
002	16010-ZE1-812	GASKET SET	1	
003	16011-ZE0-005	VALVE SET, FLOAT	1	
004	16013-ZE0-005	FLOAT SET	1	
005	16015-ZE0-831	CHAMBER SET, FLOAT	1	
007	16016-ZE0-005	SCREW SET, PILOT	1	
009	16024-ZE1-811	SCREW SET, DRAIN	1	
011	16028-ZE0-005	SCREW SET	1	
012	16044-ZE0-005	CHOKE SET	1	
013	16100-ZH8-822	CARBURETOR ASSY. (BE06J C)	1	
014	16124-ZE0-005	SCREW, THROTTLE STOP	1	
015	16166-ZH8-W50	NOZZLE, MAIN	1	
016	16173-001-004	PACKING, FUEL STRAINER CUP	1	
017	16211-ZE1-000	INSULATOR, CARBURETOR	1	
Ref	Partnumber	Description	GX160K1	Serial Numbers
018	16212-ZH8-800	PACKING, INSULATOR	1	
019	16220-ZE1-020	SPACER COMP., CARBURETOR	1	
020	16221-ZH8-801	PACKING, CARBURETOR	1	
023	16610-ZE1-000	LEVER COMP., CHOKE (STD.)	1	
028	16953-ZE1-812	LEVER, COCK	1	
029	16954-ZE1-812	PLATE, LEVER SETTING	1	
030	16956-ZE1-811	SPRING, COCK LEVER	1	
031	16957-ZE1-812	PACKING, FUEL COCK	1	
032	16967-ZE0-811	CUP, FUEL STRAINER	1	
034	93500-030061H	SCREW, PAN, 3X6	2	
037	94305-20122	PIN, SPRING, 2X12	1	
040	99101-ZH80650	JET, MAIN, #65	(1)	
040	99101-ZH80680	JET, MAIN, #68	(1)	
040	99101-ZH80700	JET, MAIN, #70	1	
041	99204-ZE00350	JET SET, PILOT, #35	1	



Z2F0E15D0A

FR. →

<u>Ref</u>	<u>Partnumber</u>	<u>Description</u>	<u>GX160K1</u>	<u>Serial Numbers</u>
001	16271-ZE1-000	PACKING, ELBOW	1	
002	17210-ZE1-822	ELEMENT, AIR CLEANER (DUAL)	1	
003	17218-ZE1-821	FILTER, OUTER	1	
004	17230-ZE1-820	COVER, AIR CLEANER (DUAL)	1	
005	17232-891-000	GROMMET, AIR CLEANER	1	
007	17238-ZE7-010	COLLAR, AIR CLEANER	2	
008	17239-ZE1-000	COLLAR B, AIR CLEANER	1	
009	17410-ZE1-020	ELBOW COMP., AIR CLEANER	1	
010	90325-044-000	NUT, TOOL BOX SETTING	2	
011	94050-06000	NUT, FLANGE, 6MM	2	
012	95701-0602000	BOLT, FLANGE, 6X20	1	



FR. →
Z2F0E1600A

Ref	Partnumber	Description	GX160K1	Serial Numbers
002	18310-ZE1-821	MUFFLER COMP. (SILENT)	1	
002	18310-ZH8-810	MUFFLER COMP. (ARRESTER)	(1)	
003	18315-ZE1-000	STAY, MUFFLER	1	
004	18320-ZF1-H51	PROTECTOR, MUFFLER (SILENT)	1	1635603
004	18320-ZF1-H52	PROTECTOR, MUFFLER (SILENT)	1	1635604
007	18355-ZE1-000	ARRESTER, SPARK	(1)	
009	18381-ZH8-800	GASKET, MUFFLER	1	
018	90016-ZE1-000	BOLT, FLANGE, 6X13 (CT200)	1	
019	90050-ZE3-H00	SCREW, TAPPING, 5X8	4	
022	90055-ZE1-000	SCREW, TAPPING, 4X6	(1)	
027	94001-080000S	NUT, HEX., 8MM	2	
029	95701-0601200	BOLT, FLANGE, 6X12	1	



Ref	Partnumber	Description	GX160K1	Serial Numbers
008	16854-ZH8-000	RUBBER, SUPPORTER (107MM)	1	
013	16955-ZE1-000	JOINT, FUEL TANK	1	
017	17510-ZE1-030ZA	TANK COMP., FUEL *NH31 *	1	
017	17510-ZE1-030ZF	TANK COMP., FUEL *NH1 *	1	
018	17620-ZOT-305	CAP COMP., FUEL FILLER (CHROME PLATED)	1	
019	17631-ZOT-812	PACKING, FUEL FILLER CAP (39X62X3) (TOUY	1	
020	17672-ZE2-W01	FILTER, FUEL	1	
023	90004-ZH7-003	BOLT, FLANGE, 6X29	1	
027	91353-671-004	O-RING, 14MM (NOK)	1	
030	94050-06000	NUT, FLANGE, 6MM	2	
032	95001-4514040	TUBE, FUEL, 4.5X140 (95001-45001-60M)	1	
036	95002-02080	CLIP, TUBE (B8)	2	

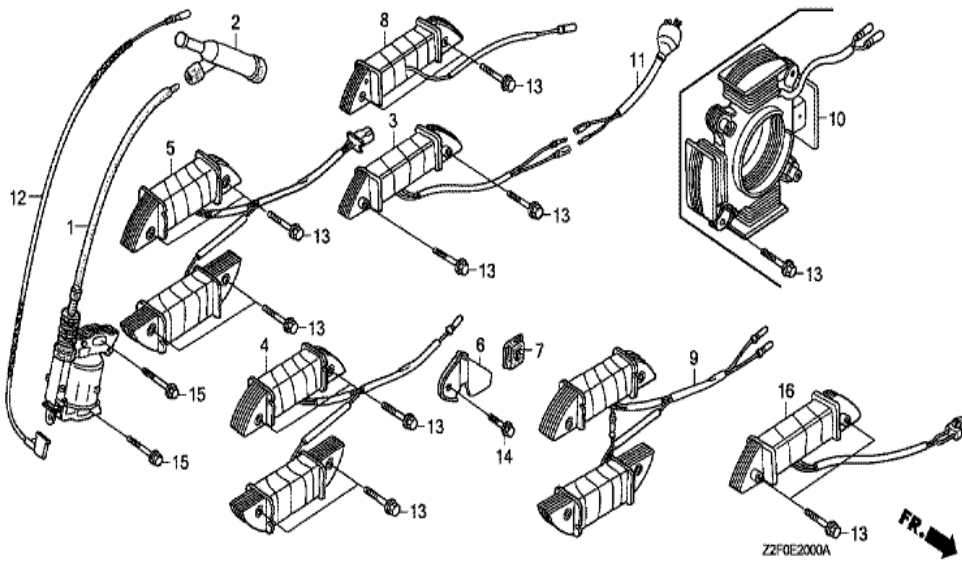


Z2F0-E1900

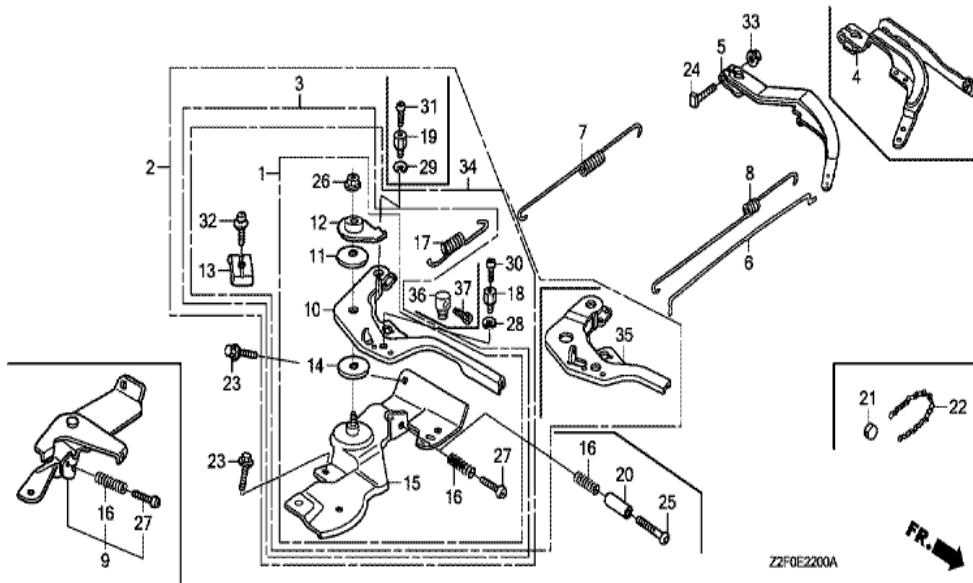
Ref	Partnumber	Description	GX160K1	Serial Numbers
001	13331-357-000	KEY, SPECIAL WOODRUFF, 25X18	1	
002	19511-ZE1-000	FAN, COOLING	1	
006	28451-ZH8-801	PULLEY, STARTER	1	
007	31100-ZE1-010	FLYWHEEL COMP.	1	
011	90201-878-003	NUT, SPECIAL, 14MM	1	



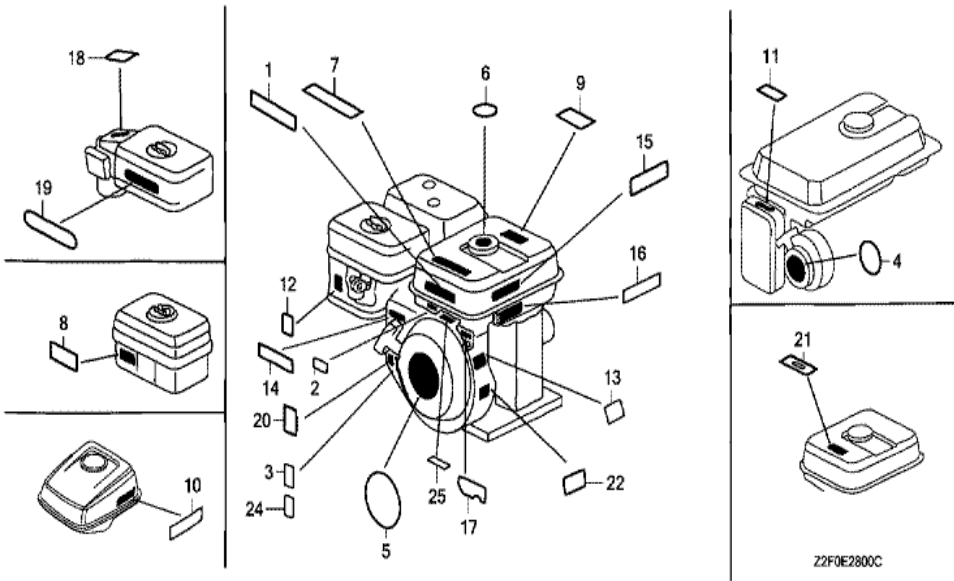
Ref	Partnumber	Description	GX160K1	Serial Numbers
001	12204-ZE1-306	GUIDE, IN. VALVE (OS)	1	
002	12205-ZE1-315	GUIDE, EX. VALVE (OS)	1	
003	12210-ZH8-415	HEAD COMP., CYLINDER	1	
004	12216-ZE5-300	CLIP, VALVE GUIDE	1	
005	12251-ZF1-800	GASKET, CYLINDER HEAD	1	
006	12310-ZE1-020	COVER COMP., HEAD	1	
007	12391-ZE1-000	PACKING, HEAD COVER	1	
008	15721-ZH8-000	TUBE, BREATHER	1	
009	90013-883-000	BOLT, FLANGE, 6X12 (CT200)	4	
010	90043-ZE1-020	BOLT, STUD, 6X112	2	
011	90047-ZE1-000	BOLT, STUD, 8X32	2	
012	94301-10160	DOWEL PIN, 10X16	2	
014	95701-0806000	BOLT, FLANGE, 8X60	4	
Ref	Partnumber	Description	GX160K1	Serial Numbers
015	98079-55846	PLUG, SPARK (BPR5ES) (NGK)	(1)	
015	98079-55855	PLUG, SPARK (W16EPR-U) (DENSO)	(1)	
015	98079-56841	PLUG, SPARK (BP6ES) (NGK)	1	
015	98079-56854	PLUG, SPARK (W20EP-U) (DENSO)	1	



Ref	Partnumber	Description	GX160K1	Serial Numbers
001	30500-ZE1-073	COIL ASSY., IGNITION	1	
002	30600-ZE1-013	TERMINAL ASSY., HIGH TENSION (NICHIIWA Y-	1	
012	36101-ZE1-010	CORD, STOP SWITCH (370MM)	1	
015	90121-952-000	BOLT, FLANGE, 6X25 (CT200)	2	

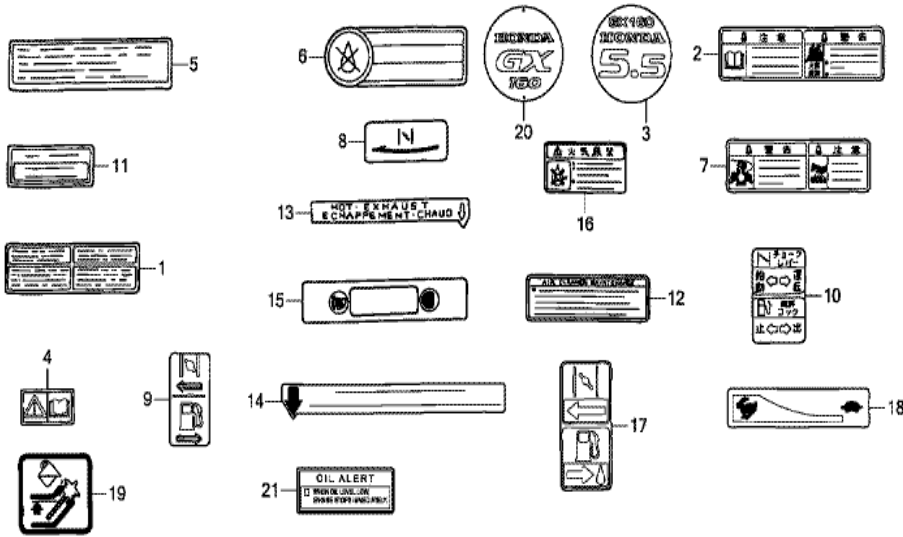


Ref	Partnumber	Description	GX160K1	Serial Numbers
005	16551-ZL0-000	ARM, GOVERNOR	1	
006	16555-ZE1-000	ROD, GOVERNOR	1	
007	16561-ZL0-U30	SPRING, GOVERNOR	1	
008	16562-ZE1-020	SPRING, THROTTLE RETURN	1	
009	16570-ZB2-000	CONTROL ASSY.	1	
016	16584-883-300	SPRING, CONTROL ADJUSTING	1	
023	90013-883-000	BOLT, FLANGE, 6X12 (CT200)	2	
024	90015-ZE5-010	BOLT, GOVERNOR ARM	1	
027	93500-050350A	SCREW, PAN, 5X35	1	
033	94050-06000	NUT, FLANGE, 6MM	1	



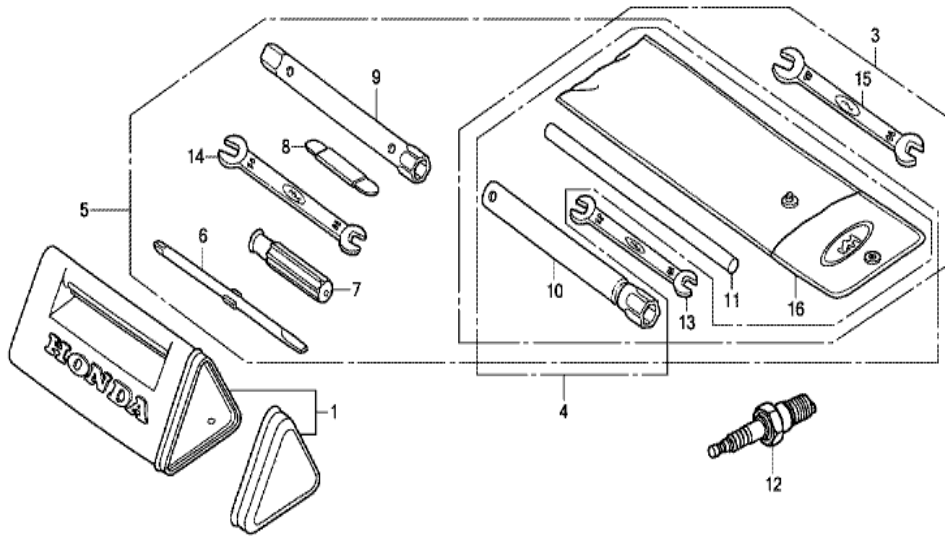
Z2F0E2800C

Ref	Partnumber	Description	GX160K1	Serial Numbers
007	87516-ZOD-800	MARK, OPERATOR CAUTION	1	
012	87528-ZE1-810	MARK, CHOKE	1	
016	87530-ZL8-850	MARK, OIL ALERT (ENGLISH)	1	1478076
016	87532-ZH8-810	MARK, OIL ALERT (ENGLISH)	1	1478075
024	87114-ZH7-000	LABEL, WARNING (NOT CERTIFIED FOR SALE)	1	



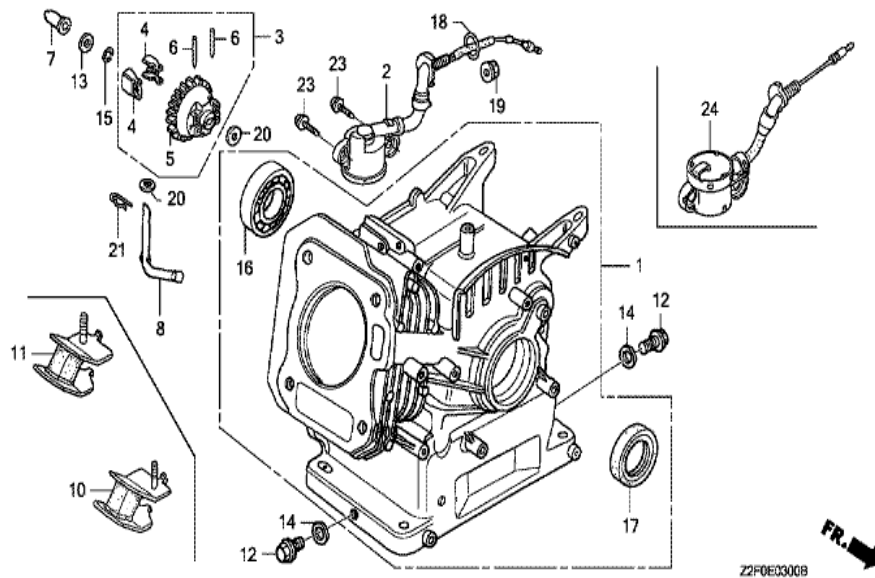
Z2F0E2801D

Ref	Partnumber	Description	GX160K1	Serial Numbers
020	87521-ZH8-040	EMBLEM (GX160)	1	



Z2FUE2900A

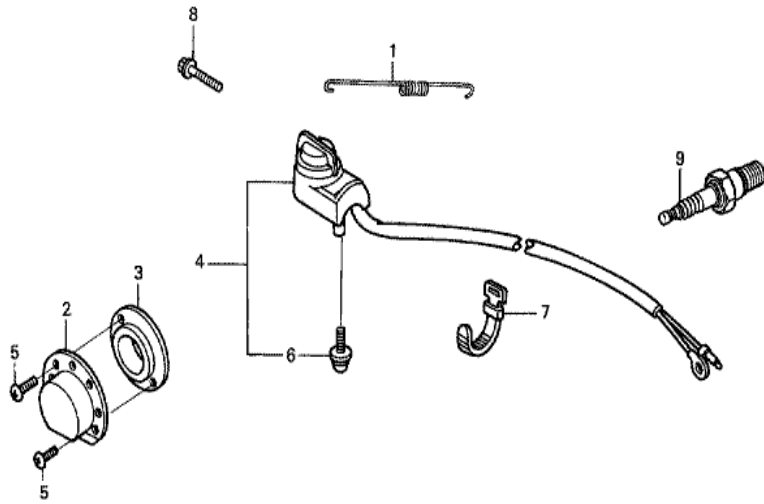
Ref	Partnumber	Description	GX160K1	Serial Numbers
010	89218-ZE1-000	WRENCH COMP., SPARK PLUG	1	



Z2F0E0300B

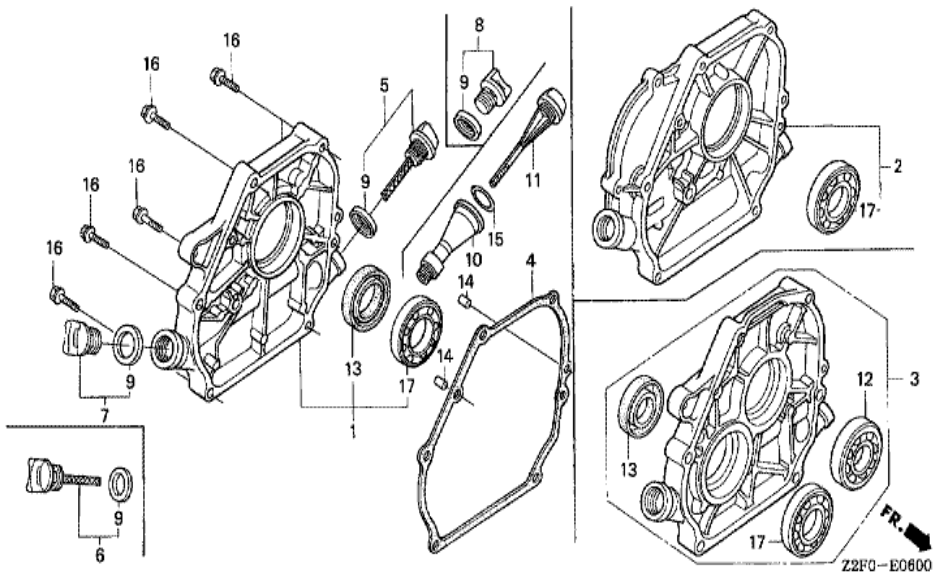


Ref	Partnumber	Description	GX160K1	Serial Numbers
001	12000-ZH8-426	BARREL ASSY., CYLINDER (OIL ALERT)	1	
002	15510-ZE1-043	SWITCH ASSY., OIL LEVEL	1	1513849
003	16506-ZL0-000	GOVERNOR ASSY.	1	
007	16531-ZE1-000	SLIDER, GOVERNOR	1	
008	16541-ZE1-000	SHAFT, GOVERNOR ARM	1	
010	68326-ZB2-000	RUBBER, FR. BOTTOM	2	
011	68327-ZB2-000	RUBBER, RR. BOTTOM	2	
012	90131-ZE1-000	BOLT, DRAIN PLUG	2	
013	90451-ZE1-000	WASHER, THRUST, 6MM	1	
014	90601-ZE1-000	WASHER, DRAIN PLUG, 10.2MM	2	
015	90602-ZE1-000	CLIP, GOVERNOR HOLDER	1	
016	91001-Z1T-003	BEARING, RADIAL BALL, 6205 (NSK)	1	
016	91001-ZF1-003	BEARING, RADIAL BALL (6205TMB) (NTN)	1	
Ref	Partnumber	Description	GX160K1	Serial Numbers
016	91001-ZF1-004	BEARING, RADIAL BALL (6205SH) (KOYO)	1	
017	91201-Z0T-801	OIL SEAL, 25X41X6 (NOK)	1	
018	91353-671-004	O-RING, 14MM (NOK)	1	
019	94050-10000	NUT, FLANGE, 10MM	1	
020	94101-06800	WASHER, PLAIN, 6MM	2	
021	94251-08000	PIN, LOCK, 8MM	1	
023	95701-0601200	BOLT, FLANGE, 6X12	2	
024	35480-Z0T-003	SWITCH ASSY., OIL LEVEL	1	1513850

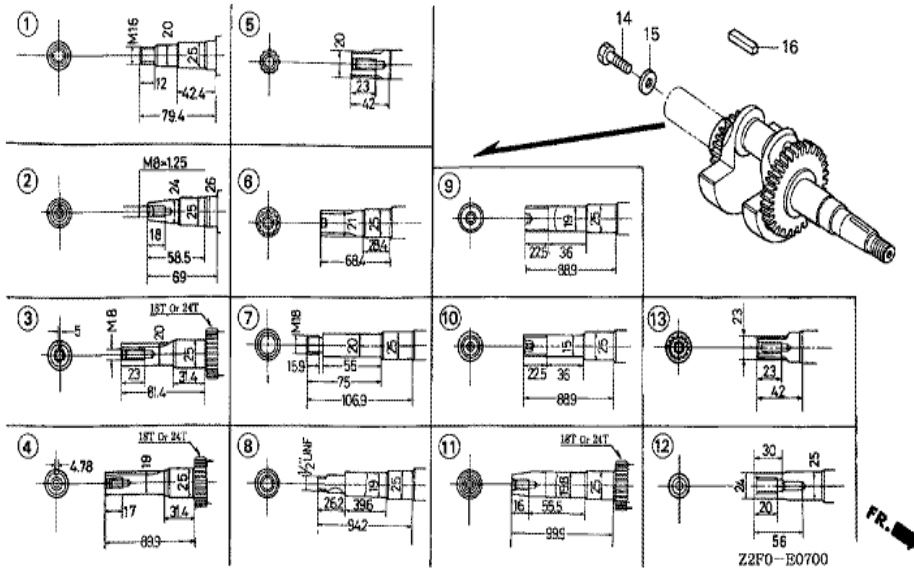


Z2F0-E4000

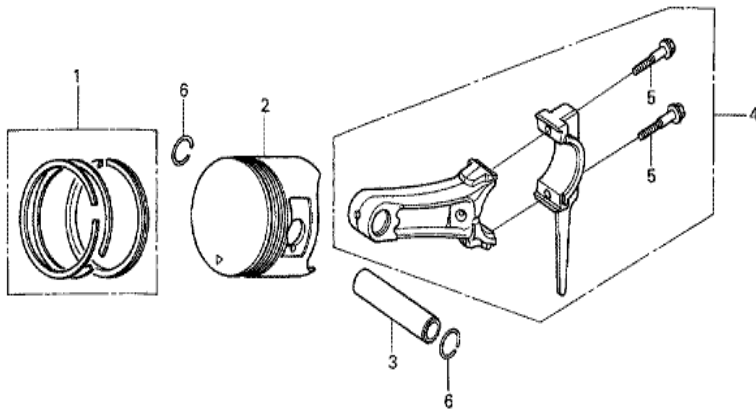
Ref	Partnumber	Description	GX160K1	Serial Numbers
009	98079-56841	PLUG, SPARK (BP6ES) (NGK)	1	



Ref	Partnumber	Description	GX160K1	Serial Numbers
001	11300-ZE1-634	COVER ASSY., CRANKCASE	1	
004	11381-ZH8-801	PACKING, CASE COVER (NON ASBESTOS)	1	
005	15600-ZE1-003	CAP ASSY., OIL FILLER (GRAY)	1	
007	15600-ZG4-003	CAP ASSY., OIL FILLER	1	
009	15625-ZE1-003	PACKING, OIL FILLER CAP	2	
013	91201-Z0T-801	OIL SEAL, 25X41X6 (NOK)	1	
014	94301-08140	DOWEL PIN, 8X14	2	
016	95701-0803200	BOLT, FLANGE, 8X32	6	
017	96100-6205000	BEARING, RADIAL BALL, 6205	1	



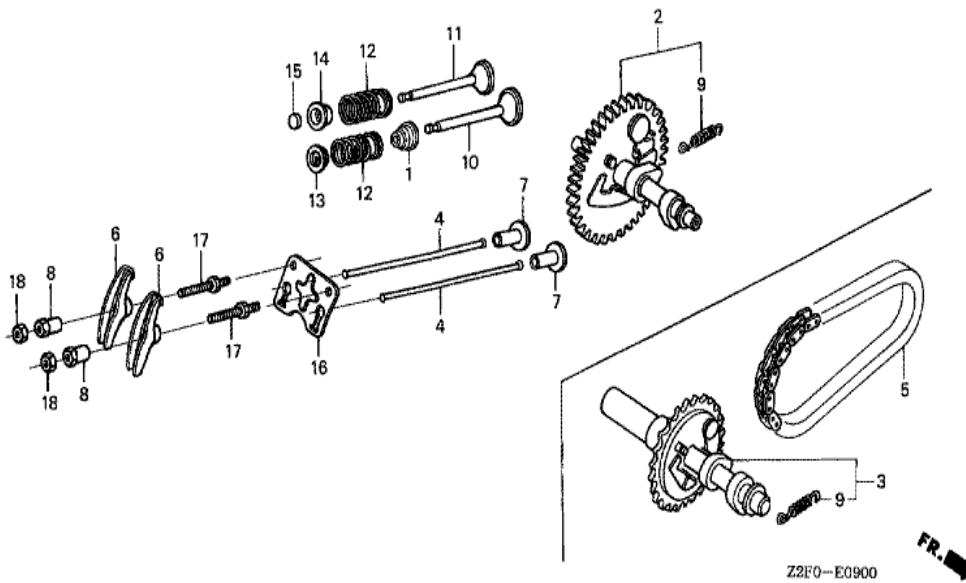
Ref	Partnumber	Description	GX160K1	Serial Numbers
011	13310-ZE1-670	CRANKSHAFT COMP. (24T)	1	



Z2F0-E0800



Ref	Partnumber	Description	GX160K1	Serial Numbers
001	13010-Z4K-004	RING SET, PISTON (STD.) (TPR)	1	
001	13011-Z4K-004	RING SET, PISTON (0.25) (TPR)	(1)	
001	13012-Z4K-004	RING SET, PISTON (0.50) (TPR)	(1)	
001	13013-Z4K-004	RING SET, PISTON (0.75) (TPR)	(1)	
002	13101-ZH8-020	PISTON (STD.)	1	
002	13102-ZH8-020	PISTON (0.25)	(1)	
002	13103-ZH8-020	PISTON (0.50)	(1)	
002	13104-ZH8-020	PISTON (0.75)	(1)	
003	13111-ZE1-000	PIN, PISTON	1	
004	13200-ZE1-010	ROD ASSY., CONNECTING (STD.)	1	1596553
004	13200-ZE1-020	ROD ASSY., CONNECTING (STD.)	1	1596554
005	90001-ZE1-000	BOLT, CONNECTING ROD	2	
006	90551-ZE1-000	CLIP, PISTON PIN, 18MM	2	



Z2F0-E0900

FR. →

Ref	Partnumber	Description	GX160K1	Serial Numbers
001	12209-ZH8-003	SEAL, VALVE STEM	1	
002	14100-ZL0-000	CAMSHAFT ASSY.	1	
004	14410-ZE1-010	ROD, PUSH	2	
006	14431-ZE1-000	ARM, VALVE ROCKER	2	
007	14441-ZE1-010	LIFTER, VALVE	2	
008	14451-ZE1-013	PIVOT, ROCKER ARM	2	
009	14568-ZE1-000	SPRING, WEIGHT RETURN	1	
010	14711-ZF1-000	VALVE, IN.	1	
011	14721-ZF1-000	VALVE, EX.	1	
012	14751-ZF1-000	SPRING, VALVE	2	
013	14771-ZE1-000	RETAINER, IN. VALVE SPRING	1	
014	14773-ZE1-000	RETAINER, EX. VALVE SPRING	1	
015	14781-ZE1-000	ROTATOR, VALVE	1	
Ref	Partnumber	Description	GX160K1	Serial Numbers
016	14791-ZE1-010	PLATE, PUSH ROD GUIDE	1	
017	90012-ZE0-010	BOLT, PIVOT, 8MM	2	
018	90206-ZE1-000	NUT, PIVOT ADJUSTING	2	