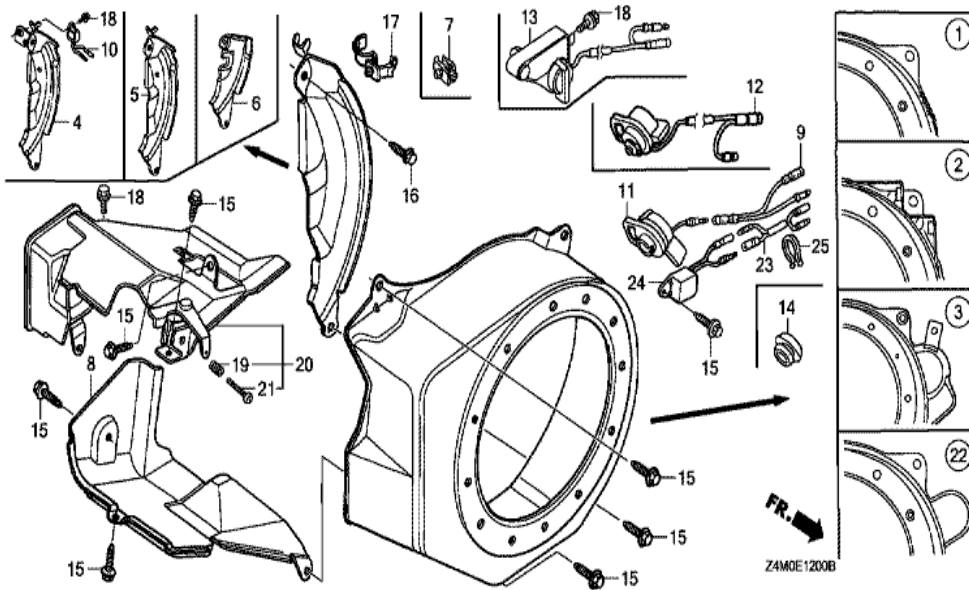




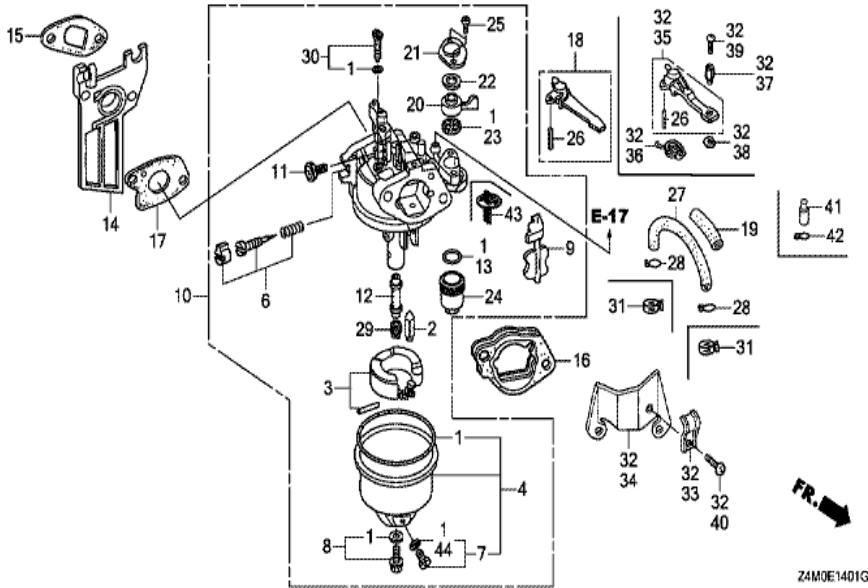
Z4M0E1100B

| Ref | Partnumber      | Description                        | GX160UT1 | Serial Numbers |
|-----|-----------------|------------------------------------|----------|----------------|
| 001 | 28400-ZH8-023YA | STARTER ASSY., RECOIL *R280 *      | 1        | 2566537        |
| 001 | 28400-ZH8-023YA | STARTER ASSY., RECOIL *R280 *      | 1        | 2566537        |
| 001 | 28400-ZH8-023YA | STARTER ASSY., RECOIL *R280 *      | 1        | 2566537        |
| 001 | 28400-ZH8-023ZB | STARTER ASSY., RECOIL *NH1 *       | 1        |                |
| 001 | 28400-ZH8-023ZB | STARTER ASSY., RECOIL *NH1 *       | 1        | 2521239        |
| 001 | 28400-ZH8-023ZB | STARTER ASSY., RECOIL *NH1 *       | 1        | 2521239        |
| 001 | 28400-ZH8-023ZB | STARTER ASSY., RECOIL *NH1 *       | 1        | 2521239        |
| 001 | 28400-ZH8-033YA | STARTER ASSY., RECOIL *R280*       | 1        | 2566538        |
| 001 | 28400-ZH8-033YA | STARTER ASSY., RECOIL *R280*       | 1        | 2566538        |
| 001 | 28400-ZH8-033YA | STARTER ASSY., RECOIL *R280*       | 1        | 2566538        |
| 001 | 28400-ZH8-033ZB | STARTER ASSY., RECOIL *NH1*        | 1        | 2521240        |
| 001 | 28400-ZH8-033ZB | STARTER ASSY., RECOIL *NH1*        | 1        | 2521240        |
| 002 | 28410-ZH8-003YA | CASE COMP., RECOIL STARTER *R280 * | 1        |                |

| <u>Ref</u> | <u>Partnumber</u> | <u>Description</u>                 | <u>GX160UT1</u> | <u>Serial Numbers</u> |
|------------|-------------------|------------------------------------|-----------------|-----------------------|
| 002        | 28410-ZH8-003YA   | CASE COMP., RECOIL STARTER *R280 * | 1               |                       |
| 002        | 28410-ZH8-003ZB   | CASE COMP., RECOIL STARTER *NH1 *  | 1               |                       |
| 002        | 28410-ZH8-003ZB   | CASE COMP., RECOIL STARTER *NH1 *  | 1               |                       |
| 002        | 28410-ZH8-003ZB   | CASE COMP., RECOIL STARTER *NH1 *  | 1               |                       |
| 003        | 28421-ZH8-801     | REEL, RECOIL STARTER (BLACK)       | 1               |                       |
| 003        | 28421-ZH8-801     | REEL, RECOIL STARTER (BLACK)       | 1               |                       |
| 004        | 28422-ZH8-801     | RATCHET, STARTER                   | 2               |                       |
| 005        | 28431-ZH8-801     | PLATE, FRICTION                    | 1               |                       |
| 006        | 28433-ZH8-801     | GUIDE, RATCHET                     | 1               |                       |
| 007        | 28441-ZH8-801     | SPRING, FRICTION                   | 1               |                       |
| 008        | 28442-ZH8-003     | SPRING, RECOIL STARTER             | 1               |                       |
| 009        | 28443-ZH8-801     | SPRING, RETURN                     | 2               |                       |
| 010        | 28461-ZH8-003     | GRIP, STARTER                      | 1               | 2448020               |
| 010        | 28461-ZH8-003     | GRIP, STARTER                      | 1               | 2448020               |
| 010        | 28461-ZH8-013     | KNOB, RECOIL SRARTER               | 1               | 2448021               |
| 010        | 28461-ZH8-013     | KNOB, RECOIL SRARTER               | 1               | 2448021               |
| 011        | 28462-ZH8-003     | ROPE, RECOIL STARTER               | 1               |                       |
| 012        | 90003-ZH8-801     | SCREW, SETTING                     | 1               |                       |
| 013        | 90008-ZE2-003     | BOLT, FLANGE, 6X10                 | 3               |                       |



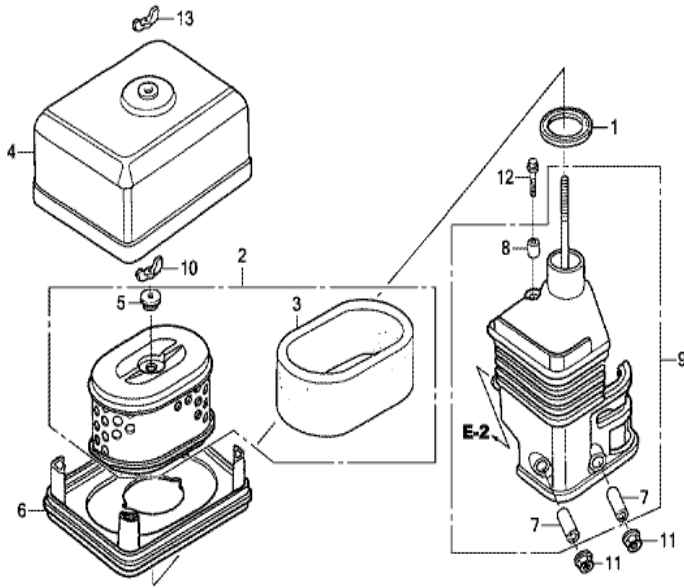
| <u>Ref</u> | <u>Partnumber</u> | <u>Description</u>            | <u>GX160UT1</u> | <u>Serial Numbers</u> |
|------------|-------------------|-------------------------------|-----------------|-----------------------|
| 001        | 19610-ZE1-000ZC   | COVER COMP., FAN *NH1 *       | 1               | 1699489               |
| 001        | 19610-ZE1-000ZC   | COVER COMP., FAN *NH1 *       | 1               | 1699489               |
| 001        | 19610-ZE1-000ZP   | COVER COMP., FAN *R280 *      | 1               | 1746956               |
| 001        | 19610-ZE1-000ZP   | COVER COMP., FAN *R280 *      | 1               | 1699489               |
| 001        | 19610-ZE1-000ZP   | COVER COMP., FAN *R280 *      | 1               | 1699489               |
| 001        | 19610-ZE1-010ZC   | COVER COMP., FAN *NH1 *       | 1               | 1746957               |
| 001        | 19610-ZE1-010ZC   | COVER COMP., FAN *NH1 *       | 1               | 1699490               |
| 001        | 19610-ZE1-010ZC   | COVER COMP., FAN *NH1 *       | 1               | 1699490               |
| 001        | 19610-ZE1-010ZP   | COVER COMP., FAN *R280 *      | 1               |                       |
| 001        | 19610-ZE1-010ZP   | COVER COMP., FAN *R280 *      | 1               | 1699490               |
| 001        | 19610-ZE1-010ZP   | COVER COMP., FAN *R280 *      | 1               | 1699490               |
| 004        | 19611-ZH8-810     | PLATE COMP., SIDE (OIL ALERT) | 1               |                       |
| 004        | 19611-ZH8-810     | PLATE COMP., SIDE (OIL ALERT) | 1               |                       |
| <u>Ref</u> | <u>Partnumber</u> | <u>Description</u>            | <u>GX160UT1</u> | <u>Serial Numbers</u> |
| 008        | 19630-ZH8-000     | SHROUD COMP.                  | 1               |                       |
| 008        | 19630-ZH8-000     | SHROUD COMP.                  | 1               |                       |
| 008        | 19630-ZH8-000     | SHROUD COMP.                  | 1               |                       |
| 010        | 34150-ZH7-003     | ALERT UNIT, OIL               | 1               |                       |
| 012        | 35120-Z0T-851     | SWITCH ASSY., ENGINE STOP     | 1               |                       |
| 012        | 35120-Z0T-851     | SWITCH ASSY., ENGINE STOP     | 1               |                       |
| 015        | 90013-883-000     | BOLT, FLANGE, 6X12 (CT200)    | 6               |                       |
| 016        | 90022-888-010     | BOLT, FLANGE, 6X20 (CT200)    | 1               |                       |
| 017        | 90601-ZH7-013     | CLIP, HARNESS                 | 1               |                       |
| 018        | 95701-0600800     | BOLT, FLANGE, 6X8             | 1               |                       |



Z4M0E1401G

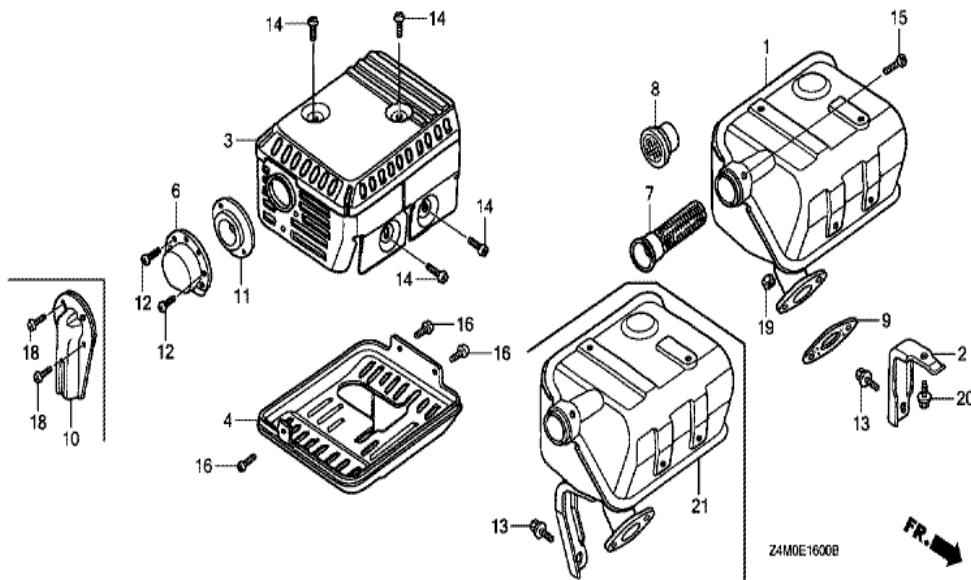
| Ref | Partnumber    | Description                | GX160UT1 | Serial Numbers |
|-----|---------------|----------------------------|----------|----------------|
| 001 | 16010-ZE1-812 | GASKET SET                 | 1        |                |
| 002 | 16011-ZE0-005 | VALVE SET, FLOAT           | 1        |                |
| 003 | 16013-ZOS-B01 | FLOAT SET                  | 1        |                |
| 004 | 16015-ZE0-831 | CHAMBER SET, FLOAT         | 1        |                |
| 004 | 16015-ZE0-831 | CHAMBER SET, FLOAT         | 1        |                |
| 006 | 16016-ZH7-W01 | SCREW SET, PILOT           | 1        |                |
| 007 | 16024-ZE1-811 | SCREW SET, DRAIN           | 1        |                |
| 007 | 16024-ZE1-811 | SCREW SET, DRAIN           | 1        |                |
| 008 | 16028-ZE0-005 | SCREW SET                  | 1        |                |
| 008 | 16028-ZE0-005 | SCREW SET                  | 1        |                |
| 009 | 16044-ZE0-005 | CHOKE SET                  | 1        |                |
| 009 | 16044-ZE0-005 | CHOKE SET                  | 1        |                |
| 010 | 16100-ZOT-911 | CARBURETOR ASSY. (BE65Q A) | 1        |                |

| <u>Ref</u> | <u>Partnumber</u> | <u>Description</u>             | <u>GX160UT1</u> | <u>Serial Numbers</u> |
|------------|-------------------|--------------------------------|-----------------|-----------------------|
| 011        | 16124-ZE0-005     | SCREW, THROTTLE STOP           | 1               |                       |
| 012        | 16166-ZH8-W50     | NOZZLE, MAIN                   | 1               | BE65Q A               |
| 012        | 16166-ZH8-W50     | NOZZLE, MAIN                   | 1               |                       |
| 012        | 16166-ZH8-W50     | NOZZLE, MAIN                   | 1               |                       |
| 012        | 16166-ZH8-W50     | NOZZLE, MAIN                   | 1               |                       |
| 013        | 16173-001-004     | PACKING, FUEL STRAINER CUP     | 1               |                       |
| 014        | 16211-ZE1-000     | INSULATOR, CARBURETOR          | 1               |                       |
| 014        | 16211-ZE1-000     | INSULATOR, CARBURETOR          | 1               |                       |
| 014        | 16211-ZE1-000     | INSULATOR, CARBURETOR          | 1               |                       |
| 015        | 16212-ZH8-800     | PACKING, INSULATOR             | 1               |                       |
| 016        | 16220-ZE1-020     | SPACER COMP., CARBURETOR       | 1               |                       |
| 017        | 16221-ZH8-801     | PACKING, CARBURETOR            | 1               |                       |
| 018        | 16610-ZE1-000     | LEVER COMP., CHOKE (STD.)      | 1               |                       |
| 020        | 16953-ZE1-812     | LEVER, COCK                    | 1               |                       |
| 021        | 16954-ZE1-812     | PLATE, LEVER SETTING           | 1               |                       |
| 022        | 16956-ZE1-811     | SPRING, COCK LEVER             | 1               |                       |
| 023        | 16957-ZE1-812     | PACKING, FUEL COCK             | 1               |                       |
| 024        | 16967-ZE0-811     | CUP, FUEL STRAINER             | 1               |                       |
| 025        | 93500-030061H     | SCREW, PAN, 3X6                | 2               |                       |
| 026        | 94305-20122       | PIN, SPRING, 2X12              | 1               |                       |
| 029        | 99101-ZH80650     | JET, MAIN, #65                 | (1)             |                       |
| 029        | 99101-ZH80650     | JET, MAIN, #65                 | (1)             |                       |
| 029        | 99101-ZH80650     | JET, MAIN, #65                 | 1               |                       |
| 029        | 99101-ZH80650     | JET, MAIN, #65                 | (1)             |                       |
| 029        | 99101-ZH80680     | JET, MAIN, #68                 | (1)             |                       |
| 029        | 99101-ZH80680     | JET, MAIN, #68                 | (1)             |                       |
| 029        | 99101-ZH80680     | JET, MAIN, #68                 | 1               |                       |
| 029        | 99101-ZH80680     | JET, MAIN, #68                 | (1)             |                       |
| 029        | 99101-ZH80700     | JET, MAIN, #70                 | 1               |                       |
| 029        | 99101-ZH80700     | JET, MAIN, #70                 | 1               |                       |
| 029        | 99101-ZH80700     | JET, MAIN, #70                 | 1               |                       |
| 029        | 99101-ZH80700     | JET, MAIN, #70                 | 1               |                       |
| 030        | 99204-ZE00350     | JET SET, PILOT, #35            | 1               |                       |
| <u>Ref</u> | <u>Partnumber</u> | <u>Description</u>             | <u>GX160UT1</u> | <u>Serial Numbers</u> |
| 044        | 16141-ZOS-003     | WASHER, PLAIN (6.2X10.7 DRAIN) | 1               |                       |

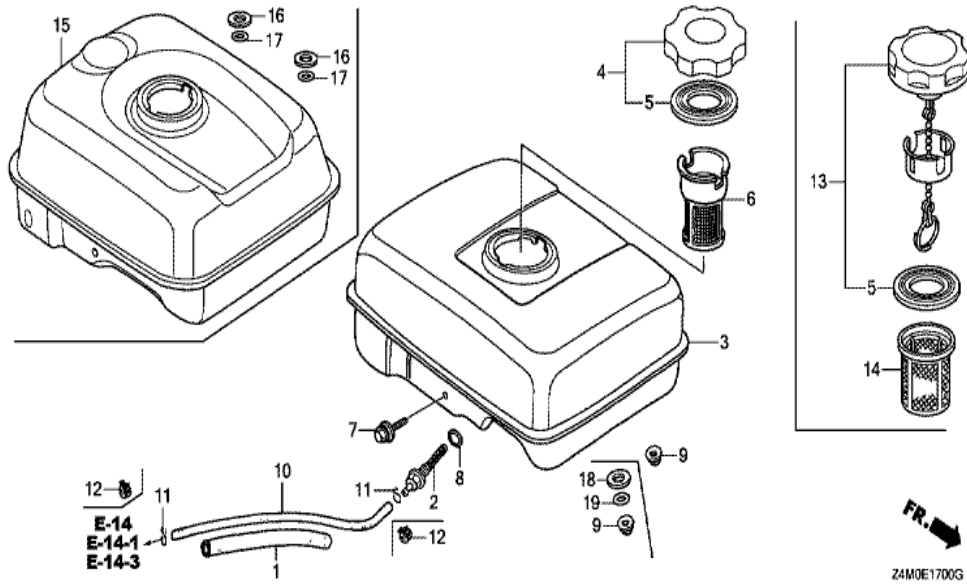


FR. →  
Z4M0E1500A

| Ref | Partnumber    | Description                 | GX160UT1 | Serial Numbers |
|-----|---------------|-----------------------------|----------|----------------|
| 001 | 16271-ZE1-000 | PACKING, ELBOW              | 1        |                |
| 002 | 17210-ZE1-822 | ELEMENT, AIR CLEANER (DUAL) | 1        |                |
| 003 | 17218-ZE1-821 | FILTER, OUTER               | 1        |                |
| 004 | 17230-ZE1-820 | COVER, AIR CLEANER (DUAL)   | 1        |                |
| 005 | 17232-891-000 | GROMMET, AIR CLEANER        | 1        |                |
| 007 | 17238-ZE7-010 | COLLAR, AIR CLEANER         | 2        |                |
| 008 | 17239-ZE1-000 | COLLAR B, AIR CLEANER       | 1        |                |
| 009 | 17410-ZE1-020 | ELBOW COMP., AIR CLEANER    | 1        |                |
| 009 | 17410-ZE1-020 | ELBOW COMP., AIR CLEANER    | 1        |                |
| 010 | 90325-044-000 | NUT, TOOL BOX SETTING       | 1        |                |
| 011 | 94050-06000   | NUT, FLANGE, 6MM            | 2        |                |
| 012 | 95701-0602000 | BOLT, FLANGE, 6X20          | 1        |                |
| 013 | 90325-044-000 | NUT, TOOL BOX SETTING       | 1        |                |



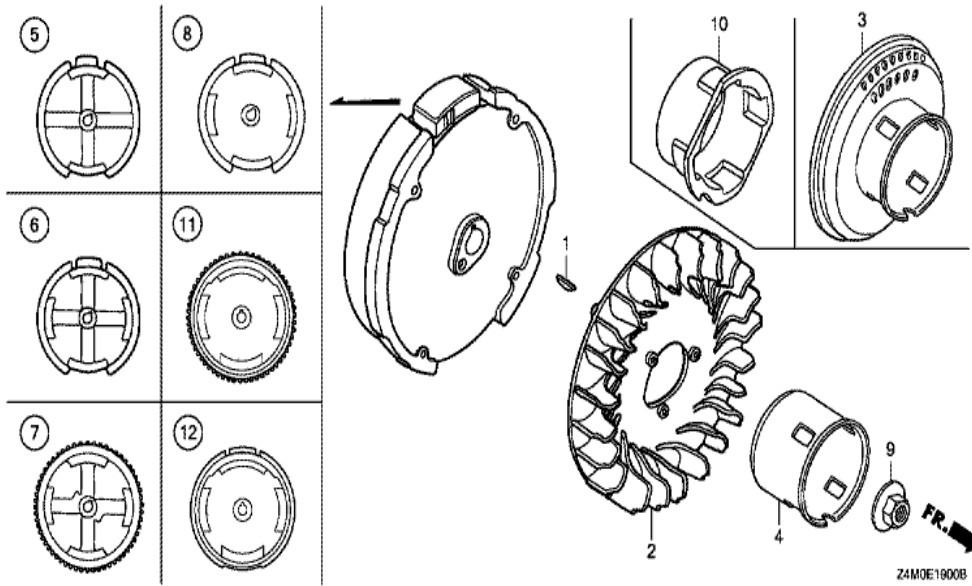
| <u>Ref</u> | <u>Partnumber</u> | <u>Description</u>                | <u>GX160UT1</u> | <u>Serial Numbers</u> |
|------------|-------------------|-----------------------------------|-----------------|-----------------------|
| 001        | 18310-ZH8-810     | MUFFLER COMP. (ARRESTER)          | (1)             |                       |
| 001        | 18310-ZH8-810     | MUFFLER COMP. (ARRESTER)          | 1               |                       |
| 001        | 18310-ZH8-810     | MUFFLER COMP. (ARRESTER)          | 1               |                       |
| 001        | 18310-ZH8-810     | MUFFLER COMP. (ARRESTER)          | 1               |                       |
| 003        | 18320-ZF1-H01     | PROTECTOR, MUFFLER (STD.) (BLACK) | 1               |                       |
| 003        | 18320-ZF1-H01     | PROTECTOR, MUFFLER (STD.) (BLACK) | 1               |                       |
| 006        | 18340-ZE1-010     | DEFLECTOR COMP.                   | 1               |                       |
| 006        | 18340-ZE1-010     | DEFLECTOR COMP.                   | 1               |                       |
| 007        | 18355-ZE1-000     | ARRESTER, SPARK                   | 1               |                       |
| 009        | 18381-ZOT-801     | GASKET, MUFFLER                   | 1               | 1394711               |
| 009        | 18381-ZH8-800     | GASKET, MUFFLER                   | 1               | 1394710               |
| 009        | 18381-ZH8-800     | GASKET, MUFFLER                   | 1               |                       |
| 009        | 18381-ZH8-800     | GASKET, MUFFLER                   | 1               | 1394710               |
| <u>Ref</u> | <u>Partnumber</u> | <u>Description</u>                | <u>GX160UT1</u> | <u>Serial Numbers</u> |
| 010        | 18431-ZH8-W50     | DEFLECTOR, MUFFLER                | (1)             |                       |
| 011        | 18522-ZE1-000     | GUIDE, MUFFLER                    | 1               |                       |
| 012        | 90002-ZOT-800     | SCREW, TAPPING, 4X8               | 2               |                       |
| 014        | 90050-ZE1-000     | SCREW, TAPPING, 5X8               | 4               |                       |
| 015        | 90055-ZE1-000     | SCREW, TAPPING, 4X6               | 1               |                       |
| 018        | 90055-ZE1-000     | SCREW, TAPPING, 4X6               | (2)             |                       |
| 019        | 94001-08000S      | NUT, HEX., 8MM                    | 2               |                       |



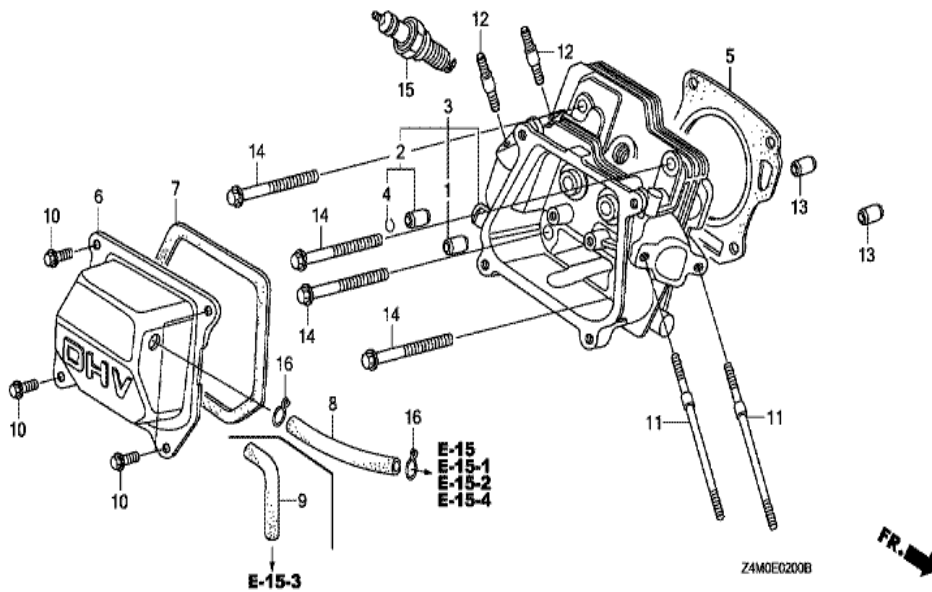
| Ref | Partnumber      | Description               | GX160UT1 | Serial Numbers |
|-----|-----------------|---------------------------|----------|----------------|
| 001 | 16854-ZH8-000   | RUBBER, SUPPORTER (107MM) | 1        |                |
| 002 | 16955-ZE1-000   | JOINT, FUEL TANK          | 1        | 2490032        |
| 002 | 16955-ZE1-000   | JOINT, FUEL TANK          | 1        | 2490032        |
| 002 | 16955-ZE1-010   | JOINT, FUEL TANK          | 1        | 2490033        |
| 003 | 17510-ZOT-000ZA | TANK COMP., FUEL *NH1 *   | 1        | 2189652        |
| 003 | 17510-ZOT-000ZC | TANK COMP., FUEL *NH31 *  | 1        | 2189652        |
| 003 | 17510-ZOT-000ZC | TANK COMP., FUEL *NH31 *  | 1        | 2189652        |
| 003 | 17510-ZOT-000ZC | TANK COMP., FUEL *NH31 *  | 1        | 2189652        |
| 003 | 17510-ZOT-010ZA | TANK COMP., FUEL *NH1*    | 1        | 2189653        |
| 003 | 17510-ZOT-010ZA | TANK COMP., FUEL *NH1*    | 1        |                |
| 003 | 17510-ZOT-010ZA | TANK COMP., FUEL *NH1*    | 1        | 2189653        |
| 003 | 17510-ZOT-010ZC | TANK COMP., FUEL *NH31 *  | 1        |                |
| 003 | 17510-ZOT-010ZC | TANK COMP., FUEL *NH31 *  | 1        |                |



| <u>Ref</u> | <u>Partnumber</u> | <u>Description</u>                       | <u>GX160UT1</u> | <u>Serial Numbers</u> |
|------------|-------------------|--|-----------------|-----------------------|
| 003        | 17510-Z0T-010ZC   | TANK COMP., FUEL *NH31 *                 | 1               |                       |
| 003        | 17510-Z0T-010ZC   | TANK COMP., FUEL *NH31 *                 | 1               | 2189653               |
| 004        | 17620-Z0T-813     | CAP COMP., FUEL FILLER (CHROME PLATED) ( | 1               | 1706983               |
| 004        | 17620-Z0T-813     | CAP COMP., FUEL FILLER (CHROME PLATED) ( | 1               | 1706983               |
| 004        | 17620-Z0T-813     | CAP COMP., FUEL FILLER (CHROME PLATED) ( | 1               | 1706983               |
| 005        | 17631-Z0T-801     | PACKING, FUEL FILLER CAP (39X62X3) (RADI | 1               |                       |
| 005        | 17631-Z0T-801     | PACKING, FUEL FILLER CAP (39X62X3) (RADI | 1               | 1991087               |
| 005        | 17631-Z0T-801     | PACKING, FUEL FILLER CAP (39X62X3) (RADI | 1               | 2125382               |
| 005        | 17631-Z0T-801     | PACKING, FUEL FILLER CAP (39X62X3) (RADI | 2               |                       |
| 005        | 17631-Z4H-800     | PACKING, FUEL FILLER CAP (39X62X3)       | 1               | 2125381               |
| 005        | 17631-Z4H-800     | PACKING, FUEL FILLER CAP (39X62X3)       | 1               | 2125381               |
| 005        | 17631-Z4H-800     | PACKING, FUEL FILLER CAP (39X62X3)       | 1               | 1991088 2125381       |
| 005        | 17631-Z4H-800     | PACKING, FUEL FILLER CAP (39X62X3)       | 1               | 1991088 2125381       |
| 007        | 90004-ZH7-003     | BOLT, FLANGE, 6X29                       | 1               |                       |
| 008        | 91353-671-004     | O-RING, 14MM (NOK)                       | 1               |                       |
| 009        | 94050-06000       | NUT, FLANGE, 6MM                         | 2               |                       |
| 010        | 91424-Z4F-801     | TUBE, FUEL, 4.5X140 (FKM)                | 1               | 1268514               |
| 010        | 95001-4514040     | TUBE, FUEL, 4.5X140 (95001-45001-60M)    | 1               | 1268513               |
| 010        | 95001-4514040     | TUBE, FUEL, 4.5X140 (95001-45001-60M)    | 1               | 1268513               |
| 010        | 95001-4514040     | TUBE, FUEL, 4.5X140 (95001-45001-60M)    | 1               | 1268513               |
| 011        | 95002-02080       | CLIP, TUBE (B8)                          | 2               | 1268513               |
| 012        | 95002-4080008     | CLAMP, TUBE (D8)                         | 2               |                       |
| 012        | 95002-4080008     | CLAMP, TUBE (D8)                         | 2               | 1268514               |
| 013        | 17620-Z4H-000     | CAP COMP., FUEL FILLER (CHROME PLATED)   | 1               | 1706984 1991087       |
| 013        | 17620-Z4H-010     | CAP COMP., FUEL FILLER (CHROME PLATED)   | 1               | 2125381               |
| 013        | 17620-Z4H-010     | CAP COMP., FUEL FILLER (CHROME PLATED)   | 1               | 1991088 2125381       |
| 013        | 17620-Z4H-020     | CAP COMP., FUEL FILLER                   | 1               | 2125382               |
| 013        | 17620-Z4H-020     | CAP COMP., FUEL FILLER                   | 1               | 1127586               |
| 013        | 17620-Z4H-020     | CAP COMP., FUEL FILLER                   | 1               | 2125382               |



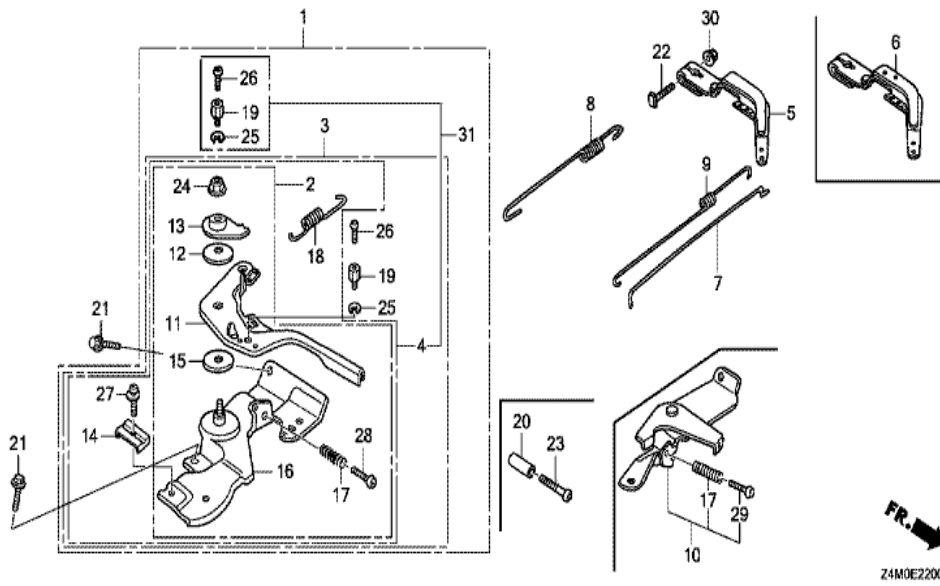
| Ref | Partnumber    | Description                  | GX160UT1 | Serial Numbers |
|-----|---------------|------------------------------|----------|----------------|
| 001 | 13331-357-000 | KEY, SPECIAL WOODRUFF, 25X18 | 1        |                |
| 002 | 19511-ZE1-000 | FAN, COOLING                 | 1        |                |
| 004 | 28451-ZH8-801 | PULLEY, STARTER              | 1        |                |
| 005 | 31100-ZE1-010 | FLYWHEEL COMP.               | 1        |                |
| 009 | 90201-ZOT-800 | NUT, SPECIAL, 14MM           | 1        |                |



| Ref | Partnumber    | Description                | GX160UT1 | Serial Numbers |
|-----|---------------|----------------------------|----------|----------------|
| 001 | 12204-ZE1-306 | GUIDE, IN. VALVE (OS)      | 1        |                |
| 002 | 12205-ZE1-315 | GUIDE, EX. VALVE (OS)      | 1        |                |
| 003 | 12210-ZH8-415 | HEAD COMP., CYLINDER       | 1        |                |
| 003 | 12210-ZH8-415 | HEAD COMP., CYLINDER       | 1        |                |
| 003 | 12210-ZH8-415 | HEAD COMP., CYLINDER       | 1        |                |
| 004 | 12216-ZE5-300 | CLIP, VALVE GUIDE          | 1        |                |
| 005 | 12251-Z0T-801 | GASKET, CYLINDER HEAD      | 1        | 1394711        |
| 005 | 12251-ZF1-800 | GASKET, CYLINDER HEAD      | 1        | 1584276        |
| 005 | 12251-ZF1-800 | GASKET, CYLINDER HEAD      | 1        | 1394710        |
| 006 | 12310-ZE1-020 | COVER COMP., HEAD          | 1        |                |
| 006 | 12310-ZE1-020 | COVER COMP., HEAD          | 1        |                |
| 006 | 12310-ZE1-020 | COVER COMP., HEAD          | 1        |                |
| 007 | 12391-ZE1-000 | PACKING, HEAD COVER        | 1        |                |
| Ref | Partnumber    | Description                | GX160UT1 | Serial Numbers |
| 008 | 15721-ZH8-000 | TUBE, BREATHER             | 1        |                |
| 008 | 15721-ZH8-000 | TUBE, BREATHER             | 1        |                |
| 010 | 90013-883-000 | BOLT, FLANGE, 6X12 (CT200) | 4        |                |
| 011 | 90043-ZE1-020 | BOLT, STUD, 6X112          | 2        |                |
| 011 | 90043-ZE1-020 | BOLT, STUD, 6X112          | 2        |                |
| 012 | 90047-ZE1-000 | BOLT, STUD, 8X32           | 2        |                |
| 012 | 90047-ZE1-000 | BOLT, STUD, 8X32           | 2        | 1888454        |
| 013 | 94301-10160   | DOWEL PIN, 10X16           | 2        |                |
| 014 | 95701-0806000 | BOLT, FLANGE, 8X60         | 4        | 1891380        |
| 014 | 95723-0806000 | BOLT, FLANGE, 8X60         | 4        | 1891379        |
| 014 | 95723-0806000 | BOLT, FLANGE, 8X60         | 4        | 1891379        |
| 015 | 98079-56876   | PLUG, SPARK (BPR6ES) (NGK) | 1        |                |
| 015 | 98079-56876   | PLUG, SPARK (BPR6ES) (NGK) | 1        |                |
| 015 | 98079-56876   | PLUG, SPARK (BPR6ES) (NGK) | 1        |                |

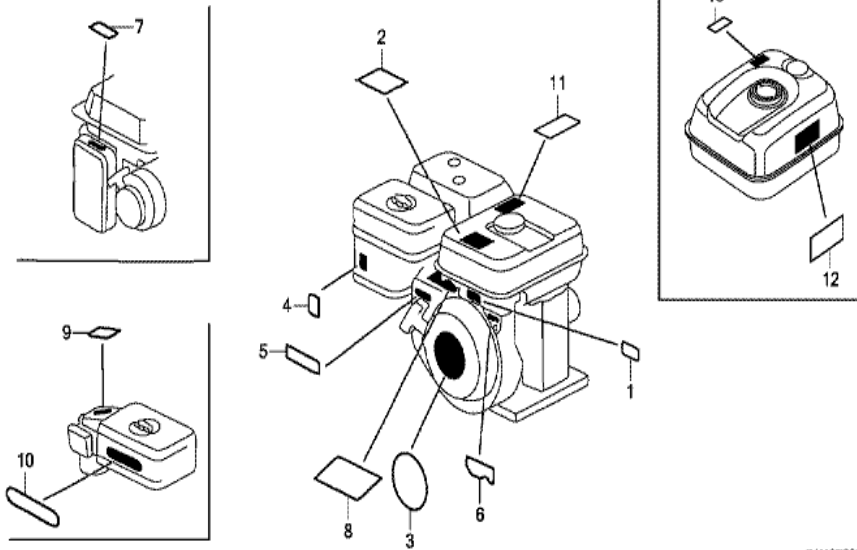


| Ref | Partnumber    | Description                       | GX160UT1 | Serial Numbers |
|-----|---------------|-----------------------------------|----------|----------------|
| 001 | 30500-Z0T-801 | COIL ASSY., IGNITION              | 1        | 1584276        |
| 001 | 30500-Z0T-802 | COIL ASSY., IGNITION (TEC)        | 1        |                |
| 001 | 30500-Z0T-802 | COIL ASSY., IGNITION (TEC)        | 1        | 1584277        |
| 002 | 30700-Z0T-811 | CAP ASSY., NOISE SUPPRESSOR (NGK) | 1        |                |
| 009 | 36101-ZE1-010 | CORD, STOP SWITCH (370MM)         | 1        |                |
| 009 | 36101-ZE1-010 | CORD, STOP SWITCH (370MM)         | 1        |                |
| 012 | 90121-952-000 | BOLT, FLANGE, 6X25 (CT200)        | 2        |                |



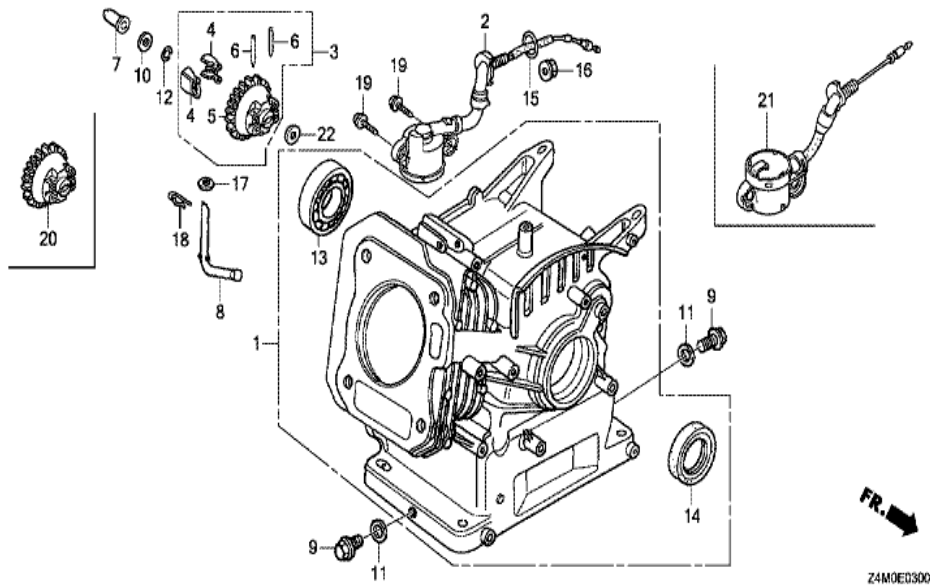
| Ref | Partnumber    | Description             | GX160UT1 | Serial Numbers |
|-----|---------------|-------------------------|----------|----------------|
| 004 | 16500-ZH8-823 | CONTROL ASSY. (REMOTE)  | 1        |                |
| 004 | 16500-ZH8-823 | CONTROL ASSY. (REMOTE)  | 1        |                |
| 004 | 16500-ZH8-823 | CONTROL ASSY. (REMOTE)  | 1        |                |
| 005 | 16551-ZE0-010 | ARM, GOVERNOR           | 1        |                |
| 005 | 16551-ZE0-010 | ARM, GOVERNOR           | 1        |                |
| 007 | 16555-ZE1-000 | ROD, GOVERNOR           | 1        |                |
| 007 | 16555-ZE1-000 | ROD, GOVERNOR           | 1        |                |
| 008 | 16561-ZE1-020 | SPRING, GOVERNOR        | 1        |                |
| 008 | 16561-ZE1-020 | SPRING, GOVERNOR        | 1        |                |
| 008 | 16561-ZE1-020 | SPRING, GOVERNOR        | 1        |                |
| 009 | 16562-ZE1-020 | SPRING, THROTTLE RETURN | 1        |                |
| 009 | 16562-ZE1-020 | SPRING, THROTTLE RETURN | 1        |                |
| 011 | 16571-ZH8-020 | LEVER, CONTROL          | 1        |                |

| <u>Ref</u> | <u>Partnumber</u> | <u>Description</u>           | <u>GX160UT1</u> | <u>Serial Numbers</u> |
|------------|-------------------|------------------------------|-----------------|-----------------------|
| 011        | 16571-ZH8-020     | LEVER, CONTROL               | 1               |                       |
| 012        | 16574-ZE1-000     | SPRING, LEVER                | 1               |                       |
| 013        | 16575-ZH8-000     | WASHER, CONTROL LEVER        | 1               |                       |
| 014        | 16576-891-000     | HOLDER, CABLE                | 1               |                       |
| 015        | 16578-ZE1-000     | SPACER, CONTROL LEVER        | 1               |                       |
| 016        | 16580-ZH8-813     | BASE COMP., CONTROL (REMOTE) | 1               |                       |
| 016        | 16580-ZH8-813     | BASE COMP., CONTROL (REMOTE) | 1               |                       |
| 016        | 16580-ZH8-813     | BASE COMP., CONTROL (REMOTE) | 1               |                       |
| 016        | 16580-ZH8-813     | BASE COMP., CONTROL (REMOTE) | 1               |                       |
| 017        | 16584-883-300     | SPRING, CONTROL ADJUSTING    | 1               |                       |
| 018        | 16592-ZE1-810     | SPRING, CABLE RETURN         | 1               |                       |
| 020        | 16599-ZG1-M10     | COLLAR, STOPPER              | (1)             |                       |
| 021        | 90013-883-000     | BOLT, FLANGE, 6X12 (CT200)   | 2               |                       |
| 022        | 90015-ZE5-010     | BOLT, GOVERNOR ARM           | 1               |                       |
| 022        | 90015-ZE5-010     | BOLT, GOVERNOR ARM           | 1               |                       |
| 023        | 90016-ZG9-N30     | SCREW, RECESSED, 5X25        | (1)             |                       |
| 024        | 90114-SA0-000     | NUT, SELF-LOCK, 6MM          | 1               |                       |
| 027        | 93500-050160A     | SCREW, PAN, 5X16             | 1               |                       |
| 028        | 93500-050250H     | SCREW, PAN, 5X25             | 1               |                       |
| 028        | 93500-050250H     | SCREW, PAN, 5X25             | 1               |                       |
| 030        | 94050-06000       | NUT, FLANGE, 6MM             | 1               |                       |



Z4M0E2800E

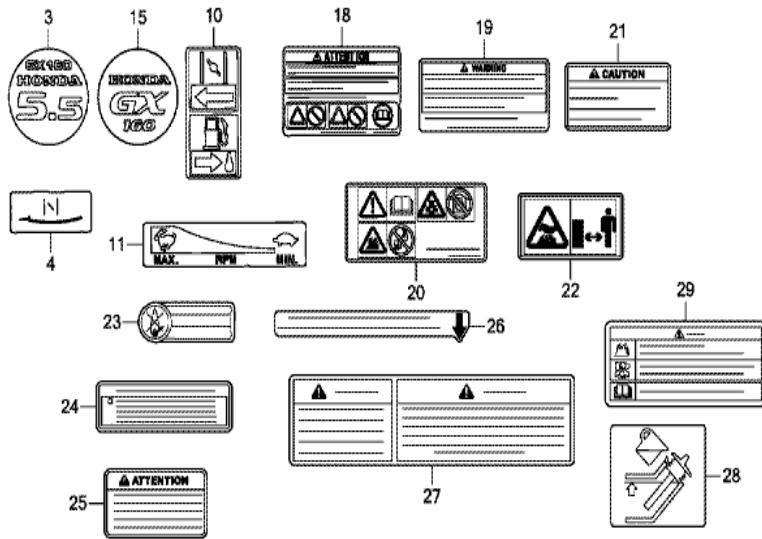
| <u>Ref</u> | <u>Partnumber</u> | <u>Description</u>                       | <u>GX160UT1</u> | <u>Serial Numbers</u> |
|------------|-------------------|--|-----------------|-----------------------|
| 002        | 87516-Z4H-000     | MARK, OPERATOR CAUTION (ENGLISH) (MADE I | 1               |                       |
| 002        | 87516-Z4H-000     | MARK, OPERATOR CAUTION (ENGLISH) (MADE I | 1               | 2566537               |
| 002        | 87516-Z4H-800     | MARK, OPERATOR CAUTION (FRENCH) (MADE IN | 1               |                       |
| 002        | 87516-Z4H-810     | MARK, OPERATOR CAUTION (PICTOGRAPH) (MAD | (1)             |                       |
| 002        | 87516-Z4H-810     | MARK, OPERATOR CAUTION (PICTOGRAPH) (MAD | (1)             |                       |
| 002        | 87516-Z4H-810     | MARK, OPERATOR CAUTION (PICTOGRAPH) (MAD | (1)             | 2431397               |
| 002        | 87519-Z4H-000     | MARK, OPERATOR CAUTION (PICTOGRAPH)      | 1               | 2566538               |
| 003        | 87521-ZH8-030     | EMBLEM (GX160 5.5)                       | 1               | 1782484               |
| 003        | 87521-ZH8-030     | EMBLEM (GX160 5.5)                       | 1               | 1782484               |
| 003        | 87521-ZH8-040     | EMBLEM (GX160)                           | 1               |                       |
| 003        | 87521-ZH8-040     | EMBLEM (GX160)                           | 1               |                       |
| 003        | 87521-ZH8-040     | EMBLEM (GX160)                           | 1               | 1782485               |
| 004        | 87528-ZH7-000     | MARK, CHOKE (GRAY)                       | 1               |                       |
| <u>Ref</u> | <u>Partnumber</u> | <u>Description</u>                       | <u>GX160UT1</u> | <u>Serial Numbers</u> |
| 004        | 87528-ZH7-000     | MARK, CHOKE (GRAY)                       | 1               |                       |
| 005        | 87532-ZH7-000     | MARK, THROTTLE INDICATION                | 1               |                       |



| Ref | Partnumber    | Description                        | GX160UT1 | Serial Numbers |
|-----|---------------|------------------------------------|----------|----------------|
| 001 | 12000-Z0T-406 | BARREL ASSY., CYLINDER (OIL ALERT) | 1        |                |
| 002 | 15510-ZE1-033 | SWITCH ASSY., OIL LEVEL            | 1        | 1706983        |
| 003 | 16510-ZE1-000 | GOVERNOR ASSY.                     | 1        |                |
| 003 | 16510-ZE1-000 | GOVERNOR ASSY.                     | 1        |                |
| 004 | 16511-ZE1-000 | WEIGHT, GOVERNOR                   | 2        |                |
| 004 | 16511-ZE1-000 | WEIGHT, GOVERNOR                   | 2        |                |
| 005 | 16512-ZE1-000 | HOLDER, GOVERNOR WEIGHT            | 1        |                |
| 005 | 16512-ZE1-000 | HOLDER, GOVERNOR WEIGHT            | 1        |                |
| 006 | 16513-ZE1-000 | PIN, GOVERNOR WEIGHT               | 2        |                |
| 007 | 16531-ZE1-000 | SLIDER, GOVERNOR                   | 1        |                |
| 007 | 16531-ZE1-000 | SLIDER, GOVERNOR                   | 1        |                |
| 008 | 16541-ZE1-000 | SHAFT, GOVERNOR ARM                | 1        |                |
| 008 | 16541-ZE1-000 | SHAFT, GOVERNOR ARM                | 1        |                |

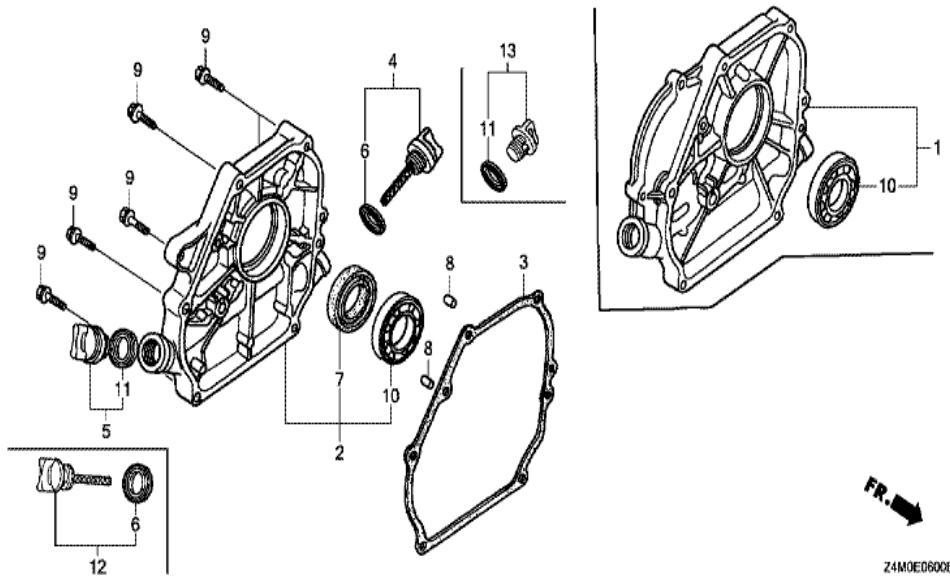


| <u>Ref</u> | <u>Partnumber</u> | <u>Description</u>                   | <u>GX160UT1</u> | <u>Serial Numbers</u> |
|------------|-------------------|--------------------------------------|-----------------|-----------------------|
| 009        | 90131-ZE1-000     | BOLT, DRAIN PLUG                     | 2               |                       |
| 010        | 90451-ZE1-000     | WASHER, THRUST, 6MM                  | 1               |                       |
| 011        | 90601-ZE1-000     | WASHER, DRAIN PLUG, 10.2MM           | 2               |                       |
| 012        | 90602-ZE1-000     | CLIP, GOVERNOR HOLDER                | 1               |                       |
| 013        | 91001-Z4X-003     | BEARING, RADIAL BALL (6205) (NSK)    | 1               |                       |
| 013        | 91001-Z4X-003     | BEARING, RADIAL BALL (6205) (NSK)    | 1               |                       |
| 013        | 91001-ZF1-003     | BEARING, RADIAL BALL (6205TMB) (NTN) | 1               |                       |
| 013        | 91001-ZF1-003     | BEARING, RADIAL BALL (6205TMB) (NTN) | 1               |                       |
| 013        | 91001-ZF1-004     | BEARING, RADIAL BALL (6205SH) (KOYO) | 1               |                       |
| 013        | 91001-ZF1-004     | BEARING, RADIAL BALL (6205SH) (KOYO) | 1               |                       |
| 014        | 91201-Z0T-801     | OIL SEAL, 25X41X6 (NOK)              | 1               |                       |
| 015        | 91353-671-004     | O-RING, 14MM (NOK)                   | 1               |                       |
| 016        | 94050-10000       | NUT, FLANGE, 10MM                    | 1               |                       |
| 017        | 94101-06800       | WASHER, PLAIN, 6MM                   | 1               |                       |
| 017        | 94101-06800       | WASHER, PLAIN, 6MM                   | 1               |                       |
| 018        | 94251-08000       | PIN, LOCK, 8MM                       | 1               |                       |
| 019        | 95701-0601200     | BOLT, FLANGE, 6X12                   | 2               |                       |
| 021        | 35480-Z0T-003     | SWITCH ASSY., OIL LEVEL              | 1               |                       |
| 021        | 35480-Z0T-003     | SWITCH ASSY., OIL LEVEL              | 1               | 1706984               |
| 022        | 94101-06800       | WASHER, PLAIN, 6MM                   | 1               |                       |



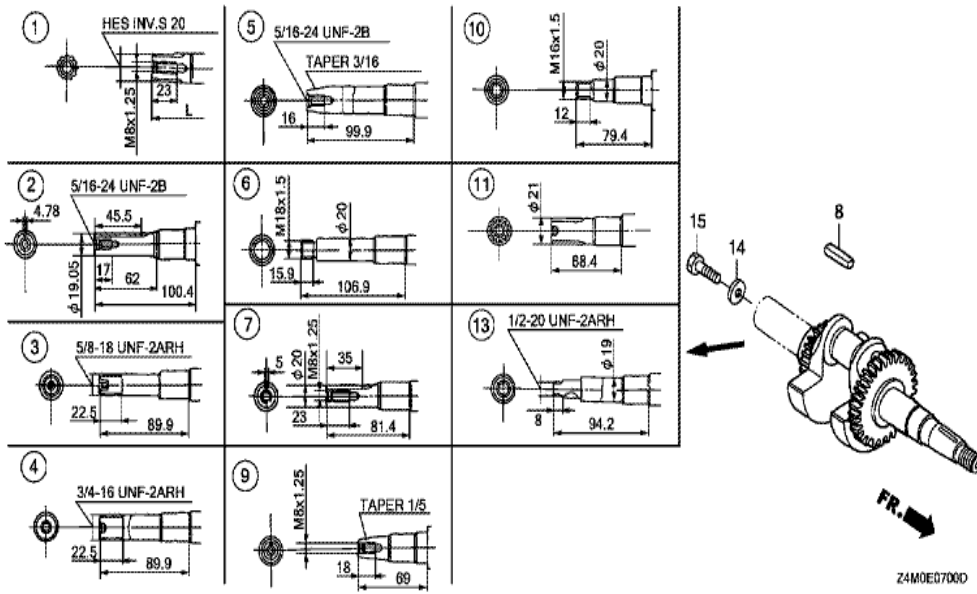
Z4M0E4000F

| Ref | Partnumber    | Description                              | GX160UT1 | Serial Numbers |
|-----|---------------|--|----------|----------------|
| 018 | 87516-Z4H-800 | MARK, OPERATOR CAUTION (FRENCH) (MADE IN | 1        | 2566537        |
| 019 | 87516-Z4H-010 | MARK, OPERATOR CAUTION (ENGLISH) (MADE I | 1        | 2566538        |
| 019 | 87516-Z4H-801 | MARK, OPERATOR CAUTION (FRENCH) (MADE IN | 1        | 2566538        |
| 021 | 87539-Z0J-000 | MARK, EX. CAUTION (ENGLISH)              | 1        | 2566538        |
| 021 | 87539-Z0J-810 | MARK, EX. CAUTION (FRENCH)               | 1        | 2566538        |

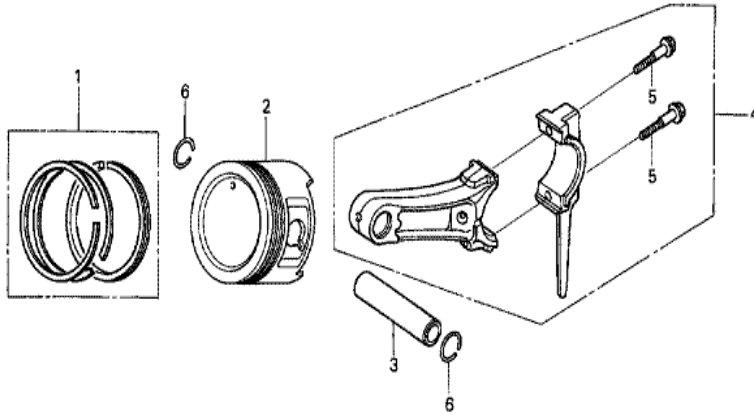


Z4M0E0600B

| Ref | Partnumber    | Description                          | GX160UT1 | Serial Numbers |
|-----|---------------|--------------------------------------|----------|----------------|
| 002 | 11300-ZE1-634 | COVER ASSY., CRANKCASE               | 1        |                |
| 002 | 11300-ZE1-634 | COVER ASSY., CRANKCASE               | 1        |                |
| 002 | 11300-ZE1-634 | COVER ASSY., CRANKCASE               | 1        |                |
| 002 | 11300-ZE1-634 | COVER ASSY., CRANKCASE               | 1        |                |
| 003 | 11381-ZH8-801 | PACKING, CASE COVER (NON ASBESTOS)   | 1        |                |
| 004 | 15600-ZOT-810 | CAP ASSY., OIL FILLER (GAUGE) (GRAY) | 1        |                |
| 005 | 15600-ZOT-820 | CAP ASSY., OIL FILLER (BLACK)        | 1        |                |
| 006 | 15625-ZOT-800 | PACKING, OIL FILLER CAP              | 1        |                |
| 007 | 91201-ZOT-801 | OIL SEAL, 25X41X6 (NOK)              | 1        |                |
| 008 | 94301-08140   | DOWEL PIN, 8X14                      | 2        |                |
| 009 | 95701-0803200 | BOLT, FLANGE, 8X32                   | 6        |                |
| 010 | 96100-6205000 | BEARING, RADIAL BALL, 6205           | 1        |                |
| 011 | 15625-ZOT-800 | PACKING, OIL FILLER CAP              | 1        |                |



| Ref | Partnumber    | Description          | GX160UT1 | Serial Numbers |
|-----|---------------|----------------------|----------|----------------|
| 007 | 13310-ZOT-880 | CRANKSHAFT COMP.     | 1        |                |
| 008 | 90741-883-810 | KEY, 5X5X33 (YELLOW) | 1        |                |



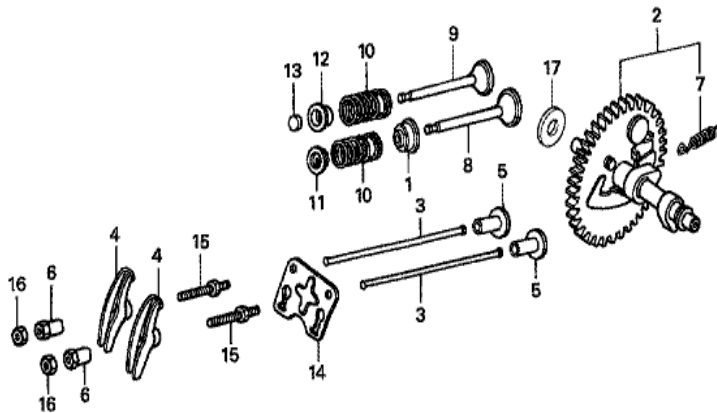
Z4M0-E0800



| Ref | Partnumber    | Description                     | GX160UT1 | Serial Numbers |
|-----|---------------|---------------------------------|----------|----------------|
| 001 | 13010-Z0T-801 | RING SET, PISTON (STD.) (RIKEN) | 1        | 1699489        |
| 001 | 13010-Z4K-004 | RING SET, PISTON (STD.) (TPR)   | 1        |                |
| 001 | 13010-Z4K-004 | RING SET, PISTON (STD.) (TPR)   | 1        | 1699490        |
| 001 | 13010-Z4M-003 | RING SET, PISTON (STD.) (RIKEN) | 1        | 1706984        |
| 001 | 13010-Z4M-003 | RING SET, PISTON (STD.) (RIKEN) | 1        | 1699490        |
| 001 | 13011-Z0T-801 | RING SET, PISTON (0.25) (RIKEN) | (1)      | 1706983        |
| 001 | 13011-Z0T-801 | RING SET, PISTON (0.25) (RIKEN) | (1)      | 1699489        |
| 001 | 13011-Z0T-801 | RING SET, PISTON (0.25) (RIKEN) | (1)      | 1699489        |
| 001 | 13011-Z4K-004 | RING SET, PISTON (0.25) (TPR)   | (1)      | 1706984        |
| 001 | 13011-Z4K-004 | RING SET, PISTON (0.25) (TPR)   | (1)      | 1699490        |
| 001 | 13011-Z4K-004 | RING SET, PISTON (0.25) (TPR)   | (1)      | 1699490        |
| 001 | 13011-Z4M-003 | RING SET, PISTON (0.25) (RIKEN) | (1)      |                |
| 001 | 13011-Z4M-003 | RING SET, PISTON (0.25) (RIKEN) | (1)      | 1699490        |

| <u>Ref</u> | <u>Partnumber</u> | <u>Description</u>                | <u>GX160UT1</u> | <u>Serial Numbers</u> |
|------------|-------------------|-----------------------------------|-----------------|-----------------------|
| 001        | 13011-Z4M-003     | RING SET, PISTON (0.25) (RIKEN)   | (1)             | 1699490               |
| 001        | 13012-Z0T-801     | RING SET, PISTON (0.50) (RIKEN)   | (1)             | 1706983               |
| 001        | 13012-Z0T-801     | RING SET, PISTON (0.50) (RIKEN)   | (1)             | 1699489               |
| 001        | 13012-Z0T-801     | RING SET, PISTON (0.50) (RIKEN)   | (1)             | 1699489               |
| 001        | 13012-Z4K-004     | RING SET, PISTON (0.50) (TPR)     | (1)             | 1706984               |
| 001        | 13012-Z4K-004     | RING SET, PISTON (0.50) (TPR)     | (1)             | 1699490               |
| 001        | 13012-Z4K-004     | RING SET, PISTON (0.50) (TPR)     | (1)             | 1699490               |
| 001        | 13012-Z4M-003     | RING SET, PISTON (0.50) (RIKEN)   | (1)             | 1706984               |
| 001        | 13012-Z4M-003     | RING SET, PISTON (0.50) (RIKEN)   | (1)             | 1699490               |
| 001        | 13012-Z4M-003     | RING SET, PISTON (0.50) (RIKEN)   | (1)             | 1699490               |
| 001        | 13012-Z4M-003     | RING SET, PISTON (0.50) (RIKEN)   | (1)             | 1699490               |
| 001        | 13013-Z0T-801     | RING SET, PISTON (0.75) (RIKEN)   | (1)             | 1706983               |
| 001        | 13013-Z0T-801     | RING SET, PISTON (0.75) (RIKEN)   | (1)             | 1699489               |
| 001        | 13013-Z0T-801     | RING SET, PISTON (0.75) (RIKEN)   | (1)             | 1699489               |
| 001        | 13013-Z0T-801     | RING SET, PISTON (0.75) (RIKEN)   | (1)             | 1699489               |
| 001        | 13013-Z4K-004     | RING SET, PISTON (0.75) (TPR)     | (1)             |                       |
| 001        | 13013-Z4K-004     | RING SET, PISTON (0.75) (TPR)     | (1)             |                       |
| 001        | 13013-Z4K-004     | RING SET, PISTON (0.75) (TPR)     | (1)             |                       |
| 001        | 13013-Z4K-004     | RING SET, PISTON (0.75) (TPR)     | (1)             | 1699490               |
| 001        | 13013-Z4M-003     | RING SET, PISTON (0.75) (RIKEN)   | (1)             | 1706984               |
| 001        | 13013-Z4M-003     | RING SET, PISTON (0.75) (RIKEN)   | (1)             |                       |
| 001        | 13013-Z4M-003     | RING SET, PISTON (0.75) (RIKEN)   | (1)             |                       |
| 001        | 13013-Z4M-003     | RING SET, PISTON (0.75) (RIKEN)   | (1)             | 1699490               |
| 001        | 13013-ZL0-003     | RING SET, PISTON (0.75) (TEIKOKU) | (1)             | 1706983               |
| 001        | 13013-ZL0-003     | RING SET, PISTON (0.75) (TEIKOKU) | (1)             | 1699489               |
| 001        | 13013-ZL0-003     | RING SET, PISTON (0.75) (TEIKOKU) | (1)             | 1699489               |
| 001        | 13013-ZL0-003     | RING SET, PISTON (0.75) (TEIKOKU) | (1)             | 1699489               |
| 001        | 13013-ZL0-004     | RING SET, PISTON (0.75) (NIPPON)  | (1)             | 1706983               |
| 001        | 13013-ZL0-004     | RING SET, PISTON (0.75) (NIPPON)  | (1)             | 1699489               |
| 001        | 13013-ZL0-004     | RING SET, PISTON (0.75) (NIPPON)  | (1)             | 1699489               |
| 001        | 13013-ZL0-004     | RING SET, PISTON (0.75) (NIPPON)  | (1)             | 1699489               |
| 002        | 13101-Z0T-810     | PISTON (STD.)                     | 1               | 1699489               |
| 002        | 13101-Z4M-000     | PISTON (STD.)                     | 1               | 2805810               |

| <u>Ref</u> | <u>Partnumber</u> | <u>Description</u>           | <u>GX160UT1</u> | <u>Serial Numbers</u> |
|------------|-------------------|------------------------------|-----------------|-----------------------|
| 002        | 13101-ZH8-020     | PISTON (STD.)                | 1               |                       |
| 002        | 13101-ZH8-020     | PISTON (STD.)                | 1               |                       |
| 002        | 13101-ZH8-020     | PISTON (STD.)                | 1               | 2805809               |
| 002        | 13101-ZH8-020     | PISTON (STD.)                | 1               | 1699490 2805809       |
| 002        | 13102-ZOT-810     | PISTON (0.25)                | (1)             | 1706983               |
| 002        | 13102-ZOT-810     | PISTON (0.25)                | (1)             | 1699489               |
| 002        | 13102-ZOT-810     | PISTON (0.25)                | (1)             | 1699489               |
| 002        | 13102-ZOT-810     | PISTON (0.25)                | (1)             | 1699489               |
| 002        | 13102-ZH8-020     | PISTON (0.25)                | (1)             | 1706984               |
| 002        | 13102-ZH8-020     | PISTON (0.25)                | (1)             |                       |
| 002        | 13102-ZH8-020     | PISTON (0.25)                | (1)             |                       |
| 002        | 13102-ZH8-020     | PISTON (0.25)                | (1)             |                       |
| 002        | 13102-ZH8-020     | PISTON (0.25)                | (1)             | 1699490               |
| 002        | 13103-ZOT-810     | PISTON (0.50)                | (1)             | 1706983               |
| 002        | 13103-ZOT-810     | PISTON (0.50)                | (1)             | 1699489               |
| 002        | 13103-ZOT-810     | PISTON (0.50)                | (1)             | 1699489               |
| 002        | 13103-ZOT-810     | PISTON (0.50)                | (1)             | 1699489               |
| 002        | 13103-ZOT-810     | PISTON (0.50)                | (1)             | 1699489               |
| 002        | 13103-ZH8-010     | PISTON (0.50)                | (1)             |                       |
| 002        | 13103-ZH8-010     | PISTON (0.50)                | (1)             |                       |
| 002        | 13103-ZH8-010     | PISTON (0.50)                | (1)             |                       |
| 002        | 13103-ZH8-010     | PISTON (0.50)                | (1)             |                       |
| 002        | 13103-ZH8-010     | PISTON (0.50)                | (1)             |                       |
| 002        | 13103-ZH8-020     | PISTON (0.50)                | (1)             | 1706984               |
| 002        | 13103-ZH8-020     | PISTON (0.50)                | (1)             |                       |
| 002        | 13103-ZH8-020     | PISTON (0.50)                | (1)             |                       |
| 002        | 13103-ZH8-020     | PISTON (0.50)                | (1)             | 1699490               |
| 002        | 13103-ZH8-020     | PISTON (0.50)                | (1)             | 1699490               |
| 002        | 13104-ZOT-810     | PISTON (0.75)                | (1)             | 1706983               |
| 002        | 13104-ZOT-810     | PISTON (0.75)                | (1)             | 1699489               |
| 002        | 13104-ZOT-810     | PISTON (0.75)                | (1)             | 1699489               |
| 002        | 13104-ZOT-810     | PISTON (0.75)                | (1)             | 1699489               |
| 002        | 13104-ZOT-810     | PISTON (0.75)                | (1)             | 1699489               |
| <u>Ref</u> | <u>Partnumber</u> | <u>Description</u>           | <u>GX160UT1</u> | <u>Serial Numbers</u> |
| 002        | 13104-ZH8-010     | PISTON (0.75)                | (1)             |                       |
| 002        | 13104-ZH8-010     | PISTON (0.75)                | (1)             |                       |
| 002        | 13104-ZH8-010     | PISTON (0.75)                | (1)             |                       |
| 002        | 13104-ZH8-010     | PISTON (0.75)                | (1)             |                       |
| 002        | 13104-ZH8-010     | PISTON (0.75)                | (1)             |                       |
| 002        | 13104-ZH8-020     | PISTON (0.75)                | (1)             |                       |
| 002        | 13104-ZH8-020     | PISTON (0.75)                | (1)             |                       |
| 002        | 13104-ZH8-020     | PISTON (0.75)                | (1)             |                       |
| 002        | 13104-ZH8-020     | PISTON (0.75)                | (1)             | 1699490               |
| 003        | 13111-ZE1-000     | PIN, PISTON                  | 1               |                       |
| 003        | 13111-ZE1-000     | PIN, PISTON                  | 1               |                       |
| 004        | 13200-ZOT-800     | ROD ASSY., CONNECTING (TH)   | 1               |                       |
| 004        | 13200-ZE1-020     | ROD ASSY., CONNECTING (STD.) | 1               | 2988544               |
| 004        | 13200-ZE1-020     | ROD ASSY., CONNECTING (STD.) | 1               | 2988544               |
| 005        | 90001-ZE1-000     | BOLT, CONNECTING ROD         | 2               |                       |
| 005        | 90001-ZE1-000     | BOLT, CONNECTING ROD         | 2               |                       |
| 006        | 90551-ZE1-000     | CLIP, PISTON PIN, 18MM       | 2               |                       |

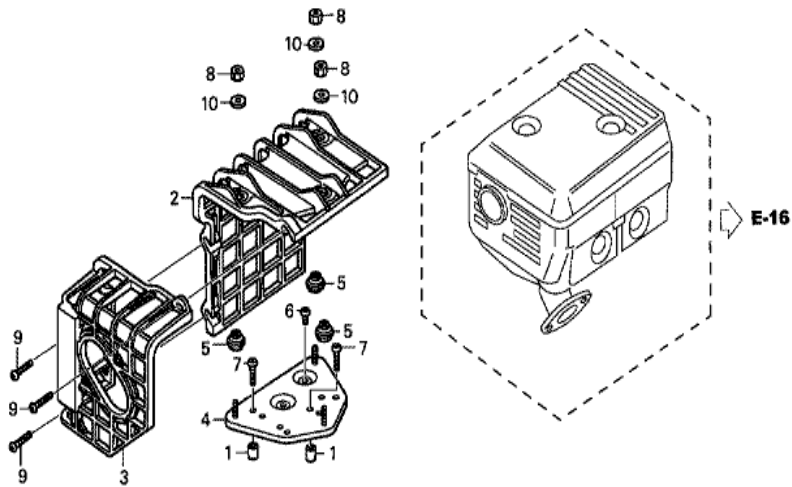


Z4M0-EG900A



| <u>Ref</u> | <u>Partnumber</u> | <u>Description</u>         | <u>GX160UT1</u> | <u>Serial Numbers</u> |
|------------|-------------------|----------------------------|-----------------|-----------------------|
| 001        | 12209-ZH8-003     | SEAL, VALVE STEM           | 1               |                       |
| 001        | 12209-ZH8-003     | SEAL, VALVE STEM           | 1               |                       |
| 002        | 14100-ZE1-812     | CAMSHAFT ASSY.             | 1               |                       |
| 002        | 14100-ZE1-812     | CAMSHAFT ASSY.             | 1               |                       |
| 002        | 14100-ZE1-812     | CAMSHAFT ASSY.             | 1               |                       |
| 003        | 14410-ZE1-010     | ROD, PUSH                  | 2               |                       |
| 003        | 14410-ZE1-010     | ROD, PUSH                  | 2               |                       |
| 004        | 14431-ZE1-000     | ARM, VALVE ROCKER          | 2               |                       |
| 005        | 14441-ZE1-010     | LIFTER, VALVE              | 2               |                       |
| 006        | 14451-ZE1-013     | PIVOT, ROCKER ARM          | 2               |                       |
| 006        | 14451-ZE1-013     | PIVOT, ROCKER ARM          | 2               |                       |
| 007        | 14568-ZE1-000     | SPRING, WEIGHT RETURN      | 1               |                       |
| 008        | 14711-ZF1-000     | VALVE, IN.                 | 1               |                       |
| <u>Ref</u> | <u>Partnumber</u> | <u>Description</u>         | <u>GX160UT1</u> | <u>Serial Numbers</u> |
| 008        | 14711-ZF1-000     | VALVE, IN.                 | 1               |                       |
| 009        | 14721-ZF1-000     | VALVE, EX.                 | 1               |                       |
| 009        | 14721-ZF1-000     | VALVE, EX.                 | 1               |                       |
| 010        | 14751-ZF1-000     | SPRING, VALVE              | 2               |                       |
| 011        | 14771-ZE1-000     | RETAINER, IN. VALVE SPRING | 1               |                       |
| 011        | 14771-ZE1-000     | RETAINER, IN. VALVE SPRING | 1               |                       |
| 011        | 14771-ZE1-000     | RETAINER, IN. VALVE SPRING | 1               |                       |
| 012        | 14773-ZE1-000     | RETAINER, EX. VALVE SPRING | 1               |                       |
| 012        | 14773-ZE1-000     | RETAINER, EX. VALVE SPRING | 1               |                       |
| 012        | 14773-ZE1-000     | RETAINER, EX. VALVE SPRING | 1               |                       |
| 012        | 14773-ZE1-000     | RETAINER, EX. VALVE SPRING | 1               |                       |
| 012        | 14773-ZE1-000     | RETAINER, EX. VALVE SPRING | 1               |                       |
| 012        | 14773-ZE1-000     | RETAINER, EX. VALVE SPRING | 1               |                       |
| 013        | 14781-ZE1-000     | ROTATOR, VALVE             | 1               |                       |
| 014        | 14791-ZE1-010     | PLATE, PUSH ROD GUIDE      | 1               |                       |
| 014        | 14791-ZE1-010     | PLATE, PUSH ROD GUIDE      | 1               |                       |
| 015        | 90012-ZE0-010     | BOLT, PIVOT, 8MM           | 2               |                       |
| 016        | 90206-ZE1-000     | NUT, PIVOT ADJUSTING       | 2               |                       |





Z4M0-X0100



| Ref | Partnumber    | Description               | GX160UT1 | Serial Numbers |
|-----|---------------|---------------------------|----------|----------------|
| 001 | 17233-896-701 | COLLAR, AIR CLEANER CASE  | (2)      |                |
| 002 | 18433-ZH8-W40 | COVER COMP., MUFFLER      | (1)      |                |
| 003 | 18434-ZH8-W40 | COVER COMP., RR. MUFFLER  | (1)      |                |
| 004 | 18436-ZH8-W41 | BASE COMP., MUFFLER COVER | (1)      |                |
| 004 | 18436-ZH8-W41 | BASE COMP., MUFFLER COVER | (1)      |                |
| 005 | 18466-ZH8-W40 | SPACER, MUFFLER COVER     | (3)      |                |
| 006 | 90050-ZE1-000 | SCREW, TAPPING, 5X8       | (1)      |                |
| 007 | 90050-ZH8-W40 | SCREW, TAPPING, 5X25      | (2)      |                |
| 008 | 90302-KF9-900 | NUT, HEX., 5MM            | (3)      |                |
| 009 | 93891-0602007 | SCREW-WASHER, 6X20        | (3)      |                |
| 010 | 94103-05700   | WASHER, PLAIN, 5MM        | (3)      |                |