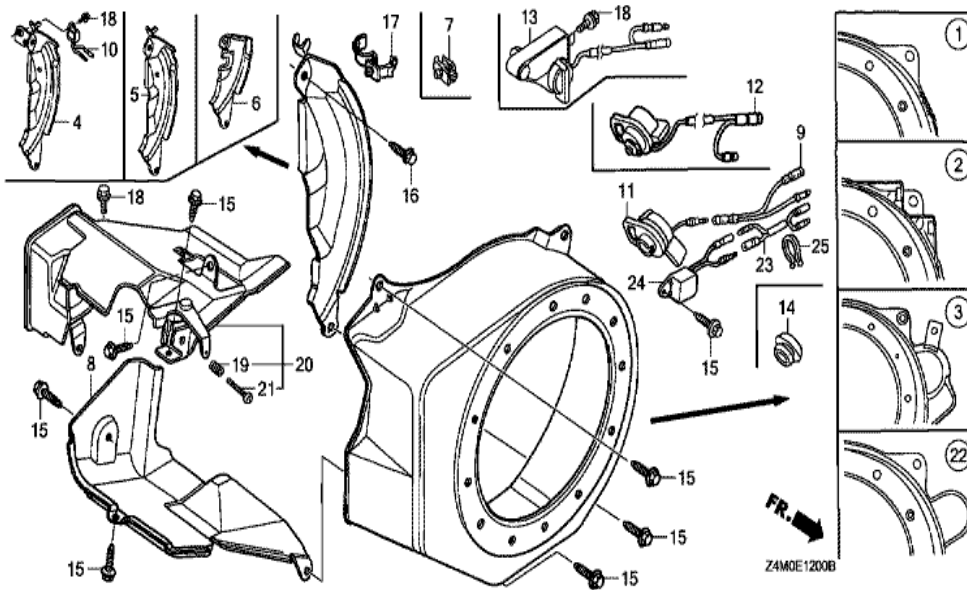
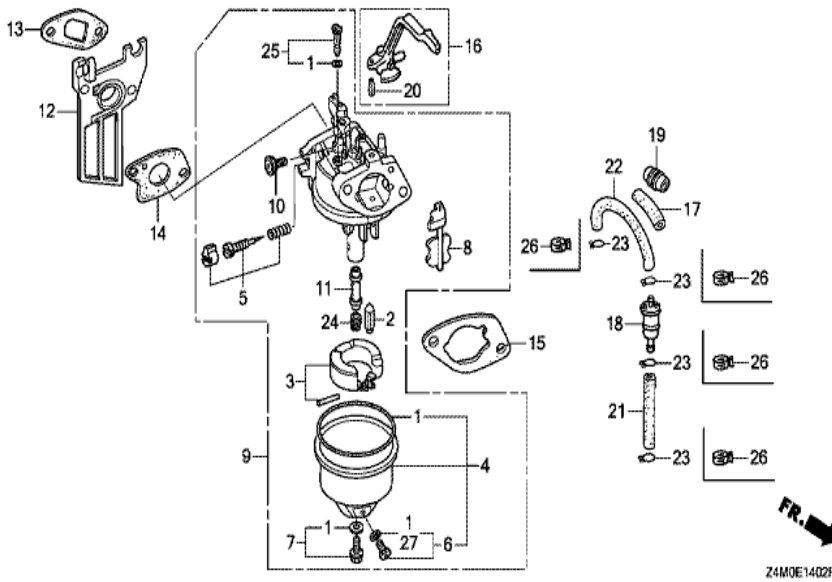


Z4M0E1100B

| Ref        | Partnumber        | Description                        | GX160UT1        | Serial Numbers        |
|------------|-------------------|------------------------------------|-----------------|-----------------------|
| 001        | 28400-ZH8-023YA   | STARTER ASSY., RECOIL *R280 *      | 1               | 2566537               |
| 001        | 28400-ZH8-023YA   | STARTER ASSY., RECOIL *R280 *      | 1               | 2566537               |
| 001        | 28400-ZH8-023YA   | STARTER ASSY., RECOIL *R280 *      | 1               | 2566537               |
| 001        | 28400-ZH8-033YA   | STARTER ASSY., RECOIL *R280*       | 1               | 2566538               |
| 001        | 28400-ZH8-033YA   | STARTER ASSY., RECOIL *R280*       | 1               | 2566538               |
| 001        | 28400-ZH8-033YA   | STARTER ASSY., RECOIL *R280*       | 1               | 2566538               |
| 002        | 28410-ZH8-003YA   | CASE COMP., RECOIL STARTER *R280 * | 1               |                       |
| 002        | 28410-ZH8-003YA   | CASE COMP., RECOIL STARTER *R280 * | 1               |                       |
| 003        | 28421-ZH8-801     | REEL, RECOIL STARTER (BLACK)       | 1               |                       |
| 003        | 28421-ZH8-801     | REEL, RECOIL STARTER (BLACK)       | 1               |                       |
| 004        | 28422-ZH8-801     | RATCHET, STARTER                   | 2               |                       |
| 005        | 28431-ZH8-801     | PLATE, FRICTION                    | 1               |                       |
| 006        | 28433-ZH8-801     | GUIDE, RATCHET                     | 1               |                       |
| <u>Ref</u> | <u>Partnumber</u> | <u>Description</u>                 | <u>GX160UT1</u> | <u>Serial Numbers</u> |
| 007        | 28441-ZH8-801     | SPRING, FRICTION                   | 1               |                       |
| 008        | 28442-ZH8-003     | SPRING, RECOIL STARTER             | 1               |                       |
| 009        | 28443-ZH8-801     | SPRING, RETURN                     | 2               |                       |
| 010        | 28461-ZH8-003     | GRIP, STARTER                      | 1               | 2448020               |
| 010        | 28461-ZH8-003     | GRIP, STARTER                      | 1               | 2448020               |
| 010        | 28461-ZH8-013     | KNOB, RECOIL SRARTER               | 1               | 2448021               |
| 010        | 28461-ZH8-013     | KNOB, RECOIL SRARTER               | 1               | 2448021               |
| 011        | 28462-ZH8-003     | ROPE, RECOIL STARTER               | 1               |                       |
| 012        | 90003-ZH8-801     | SCREW, SETTING                     | 1               |                       |
| 013        | 90008-ZE2-003     | BOLT, FLANGE, 6X10                 | 3               |                       |

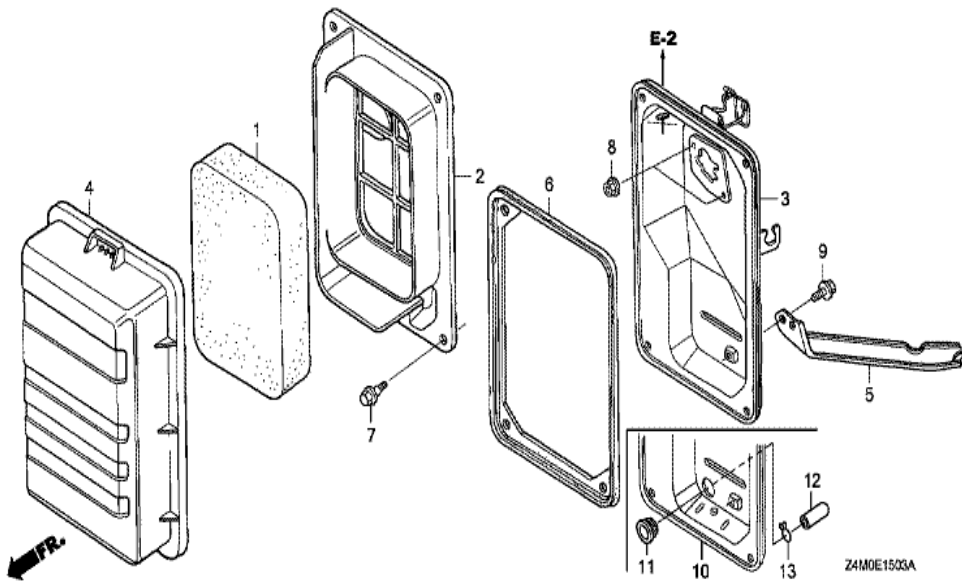


| Ref        | Partnumber        | Description                          | GX160UT1        | Serial Numbers        |
|------------|-------------------|--------------------------------------|-----------------|-----------------------|
| 002        | 19610-ZE1-810ZG   | COVER COMP., FAN (OIL ALERT) *R280 * | 1               | 1699489               |
| 002        | 19610-ZE1-810ZG   | COVER COMP., FAN (OIL ALERT) *R280 * | 1               | 1699489               |
| 002        | 19610-ZE1-810ZG   | COVER COMP., FAN (OIL ALERT) *R280 * | 1               | 1699489               |
| 002        | 19610-ZE1-811ZG   | COVER COMP., FAN (OIL ALERT) *R280*  | 1               | 1699490               |
| 002        | 19610-ZE1-811ZG   | COVER COMP., FAN (OIL ALERT) *R280*  | 1               | 1699490               |
| 002        | 19610-ZE1-811ZG   | COVER COMP., FAN (OIL ALERT) *R280*  | 1               | 1699490               |
| 004        | 19611-ZH8-810     | PLATE COMP., SIDE (OIL ALERT)        | 1               |                       |
| 004        | 19611-ZH8-810     | PLATE COMP., SIDE (OIL ALERT)        | 1               |                       |
| 008        | 19630-ZH8-000     | SHROUD COMP.                         | 1               |                       |
| 008        | 19630-ZH8-000     | SHROUD COMP.                         | 1               |                       |
| 008        | 19630-ZH8-000     | SHROUD COMP.                         | 1               |                       |
| 010        | 34150-ZH7-003     | ALERT UNIT, OIL                      | 1               |                       |
| 013        | 36100-ZH8-W82     | SWITCH ASSY., ENGINE STOP (SDMO)     | 1               |                       |
| <u>Ref</u> | <u>Partnumber</u> | <u>Description</u>                   | <u>GX160UT1</u> | <u>Serial Numbers</u> |
| 015        | 90013-883-000     | BOLT, FLANGE, 6X12 (CT200)           | 6               |                       |
| 016        | 90022-888-010     | BOLT, FLANGE, 6X20 (CT200)           | 1               |                       |
| 017        | 90601-ZH7-013     | CLIP, HARNESS                        | 1               |                       |
| 018        | 95701-0600800     | BOLT, FLANGE, 6X8                    | 1               |                       |
| 018        | 95701-0600800     | BOLT, FLANGE, 6X8                    | 3               |                       |

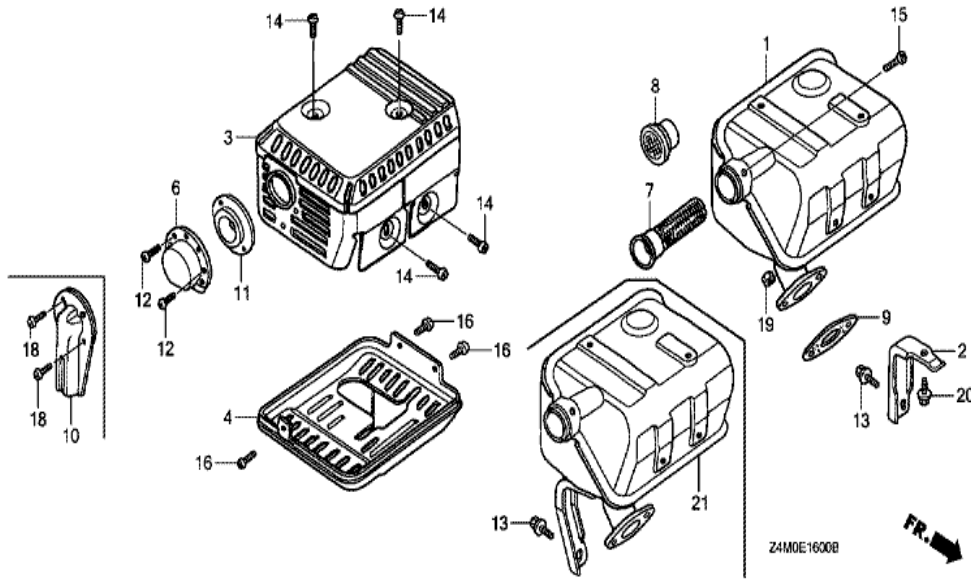


| Ref | Partnumber    | Description                | GX160UT1 | Serial Numbers |
|-----|---------------|----------------------------|----------|----------------|
| 001 | 16010-ZB1-015 | GASKET SET                 | 1        |                |
| 002 | 16011-ZE0-005 | VALVE SET, FLOAT           | 1        |                |
| 003 | 16013-Z0S-B01 | FLOAT SET                  | 1        |                |
| 004 | 16015-ZE0-831 | CHAMBER SET, FLOAT         | 1        |                |
| 004 | 16015-ZE0-831 | CHAMBER SET, FLOAT         | 1        |                |
| 005 | 16016-ZH7-W01 | SCREW SET, PILOT           | 1        |                |
| 006 | 16024-ZE1-811 | SCREW SET, DRAIN           | 1        |                |
| 006 | 16024-ZE1-811 | SCREW SET, DRAIN           | 1        |                |
| 007 | 16028-ZE0-005 | SCREW SET                  | 1        |                |
| 007 | 16028-ZE0-005 | SCREW SET                  | 1        |                |
| 008 | 16044-ZE0-005 | CHOKE SET                  | 1        |                |
| 009 | 16100-Z0T-T41 | CARBURETOR ASSY. (BE67K A) | 1        | 1270227        |
| 009 | 16100-Z4M-T41 | CARBURETOR ASSY. (BE67Q A) | 1        | 1276294        |

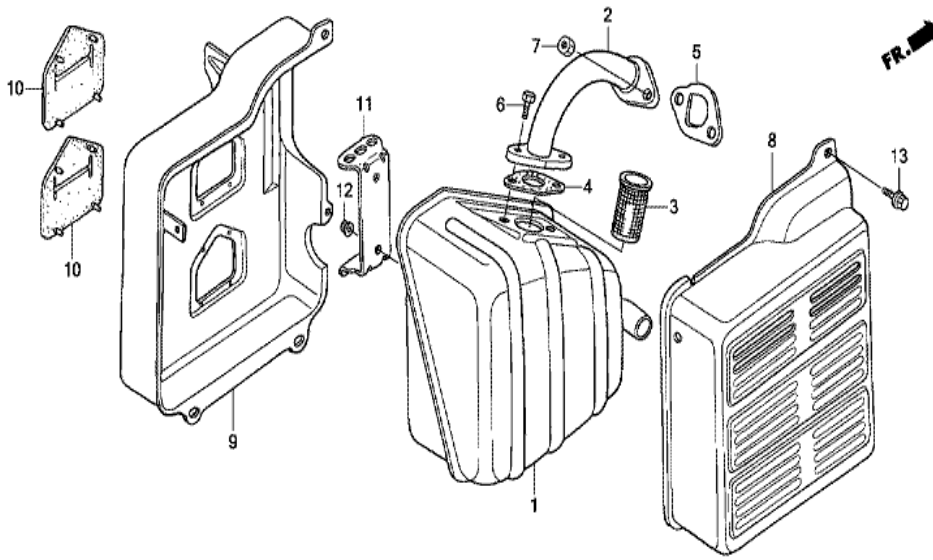
| <u>Ref</u> | <u>Partnumber</u> | <u>Description</u>                    | <u>GX160UT1</u> | <u>Serial Numbers</u> |
|------------|-------------------|---------------------------------------|-----------------|-----------------------|
| 009        | 16100-Z4M-T41     | CARBURETOR ASSY. (BE67Q A)            | 1               | 1270228               |
| 010        | 16124-ZE0-005     | SCREW, THROTTLE STOP                  | 1               |                       |
| 011        | 16166-ZH8-E80     | NOZZLE, MAIN                          | 1               |                       |
| 011        | 16166-ZH8-E80     | NOZZLE, MAIN                          | 1               |                       |
| 012        | 16211-ZE1-000     | INSULATOR, CARBURETOR                 | 1               |                       |
| 012        | 16211-ZE1-000     | INSULATOR, CARBURETOR                 | 1               |                       |
| 013        | 16212-ZH8-800     | PACKING, INSULATOR                    | 1               |                       |
| 014        | 16221-ZH8-801     | PACKING, CARBURETOR                   | 1               |                       |
| 015        | 16269-ZE1-800     | PACKING, AIR CLEANER                  | 1               |                       |
| 016        | 16610-ZB2-000     | LEVER COMP., CHOKE                    | 1               |                       |
| 017        | 16854-ZH8-000     | RUBBER, SUPPORTER (107MM)             | 1               |                       |
| 020        | 94305-20122       | PIN, SPRING, 2X12                     | 1               |                       |
| 022        | 91424-Z4J-821     | TUBE, FUEL, 4.5X430 (FKM)             | 1               | 1270228               |
| 022        | 91424-Z4J-821     | TUBE, FUEL, 4.5X430 (FKM)             | 1               | 1270228               |
| 022        | 91424-Z4J-821     | TUBE, FUEL, 4.5X430 (FKM)             | 1               | 1270228               |
| 022        | 95001-4543040     | TUBE, FUEL, 4.5X430 (95001-45001-60M) | 1               | 1270227               |
| 022        | 95001-4543040     | TUBE, FUEL, 4.5X430 (95001-45001-60M) | 1               | 1270227               |
| 022        | 95001-4543040     | TUBE, FUEL, 4.5X430 (95001-45001-60M) | 1               | 1270227               |
| 022        | 95001-4543040     | TUBE, FUEL, 4.5X430 (95001-45001-60M) | 1               | 1270227               |
| 023        | 95002-02080       | CLIP, TUBE (B8)                       | 2               | 1270227               |
| 024        | 99101-ZH80700     | JET, MAIN, #70                        | (1)             |                       |
| 024        | 99101-ZH80720     | JET, MAIN, #72                        | (1)             |                       |
| 024        | 99101-ZH80720     | JET, MAIN, #72                        | (1)             |                       |
| 024        | 99101-ZH80720     | JET, MAIN, #72                        | (1)             |                       |
| 024        | 99101-ZH80750     | JET, MAIN, #75                        | 1               |                       |
| 024        | 99101-ZH80750     | JET, MAIN, #75                        | 1               |                       |
| 024        | 99101-ZH80750     | JET, MAIN, #75                        | 1               |                       |
| 025        | 99204-ZE00350     | JET SET, PILOT, #35                   | 1               |                       |
| 026        | 95002-4080008     | CLAMP, TUBE (D8)                      | 2               |                       |
| 026        | 95002-4080008     | CLAMP, TUBE (D8)                      | 2               | 1270228               |
| 027        | 16141-Z0S-003     | WASHER, PLAIN (6.2X10.7 DRAIN)        | 1               |                       |



| Ref | Partnumber    | Description             | GX160UT1 | Serial Numbers |
|-----|---------------|-------------------------|----------|----------------|
| 001 | 17211-ZB2-000 | ELEMENT, AIR CLEANER    | 1        |                |
| 002 | 17212-ZB2-000 | SEPARATOR, AIR CLEANER  | 1        |                |
| 003 | 17220-ZB2-000 | CASE COMP., AIR CLEANER | 1        |                |
| 004 | 17231-ZB2-000 | COVER, AIR CLEANER      | 1        |                |
| 005 | 17239-ZB2-000 | STAY, AIR CLEANER       | 1        |                |
| 006 | 17252-ZB2-000 | SEAL, AIR CLEANER       | 1        |                |
| 007 | 90115-459-770 | BOLT, WINKER SETTING    | 4        |                |
| 008 | 94050-06080   | NUT, FLANGE, 6MM        | 2        |                |
| 009 | 95701-0601000 | BOLT, FLANGE, 6X10      | 1        |                |

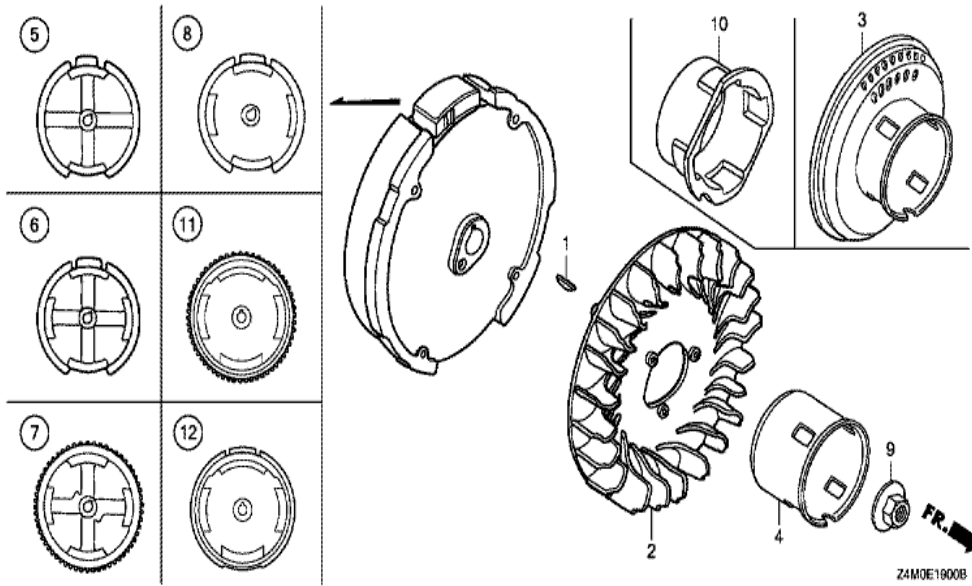


| Ref | Partnumber    | Description              | GX160UT1 | Serial Numbers |
|-----|---------------|--------------------------|----------|----------------|
| 001 | 18310-ZH8-810 | MUFFLER COMP. (ARRESTER) | (1)      |                |
| 001 | 18310-ZH8-810 | MUFFLER COMP. (ARRESTER) | (1)      |                |
| 001 | 18310-ZH8-810 | MUFFLER COMP. (ARRESTER) | 1        |                |
| 001 | 18310-ZH8-810 | MUFFLER COMP. (ARRESTER) | (1)      |                |
| 007 | 18355-ZE1-000 | ARRESTER, SPARK          | 1        |                |
| 007 | 18355-ZE1-000 | ARRESTER, SPARK          | (1)      |                |
| 015 | 90055-ZE1-000 | SCREW, TAPPING, 4X6      | 1        |                |
| 015 | 90055-ZE1-000 | SCREW, TAPPING, 4X6      | (1)      |                |



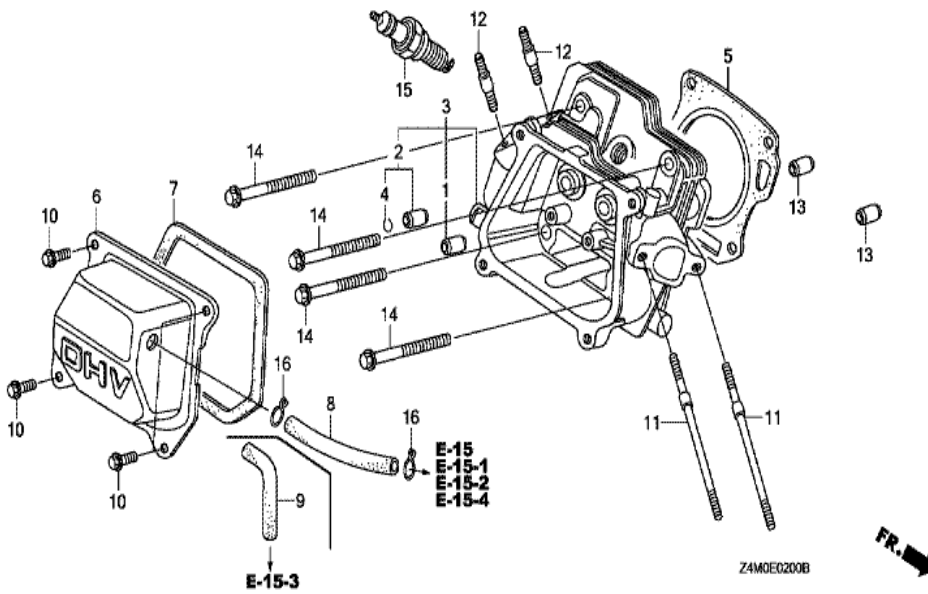
Z4M0E1601B

| Ref | Partnumber    | Description      | GX160UT1 | Serial Numbers |
|-----|---------------|------------------|----------|----------------|
| 001 | 18310-ZB3-C00 | MUFFLER COMP.    | 1        |                |
| 002 | 18330-ZB2-000 | PIPE COMP., EX.  | 1        |                |
| 003 | 18355-898-630 | ARRESTER, SPARK  | 1        |                |
| 004 | 18381-ZE1-800 | GASKET, MUFFLER  | 1        |                |
| 004 | 18381-ZE1-800 | GASKET, MUFFLER  | 1        |                |
| 005 | 18381-ZOT-801 | GASKET, MUFFLER  | 1        |                |
| 005 | 18381-ZOT-801 | GASKET, MUFFLER  | 1        | 1394711        |
| 005 | 18381-ZH8-800 | GASKET, MUFFLER  | 1        |                |
| 005 | 18381-ZH8-800 | GASKET, MUFFLER  | 1        |                |
| 005 | 18381-ZH8-800 | GASKET, MUFFLER  | 1        | 1394710        |
| 006 | 92101-080200A | BOLT, HEX., 8X20 | 2        |                |
| 007 | 94001-080000S | NUT, HEX., 8MM   | 2        |                |

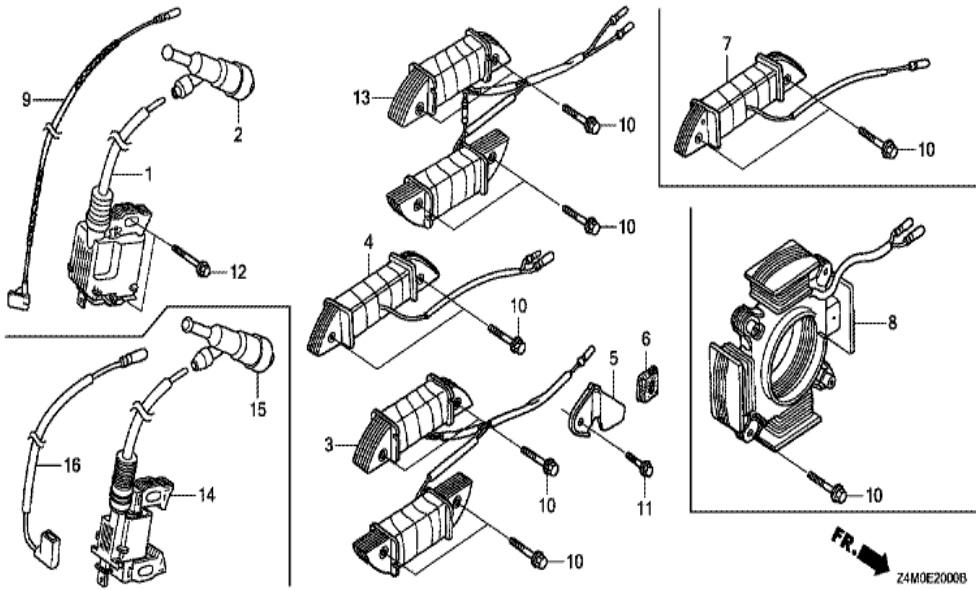


| Ref | Partnumber    | Description                  | GX160UT1 | Serial Numbers |
|-----|---------------|------------------------------|----------|----------------|
| 001 | 13331-357-000 | KEY, SPECIAL WOODRUFF, 25X18 | 1        |                |
| 002 | 19511-ZE1-000 | FAN, COOLING                 | 1        |                |
| 004 | 28451-ZH8-801 | PULLEY, STARTER              | 1        |                |
| 005 | 31100-ZE7-010 | FLYWHEEL COMP. (STD.)        | 1        |                |
| 005 | 31100-ZE7-010 | FLYWHEEL COMP. (STD.)        | 1        |                |
| 009 | 90201-Z0T-800 | NUT, SPECIAL, 14MM           | 1        |                |

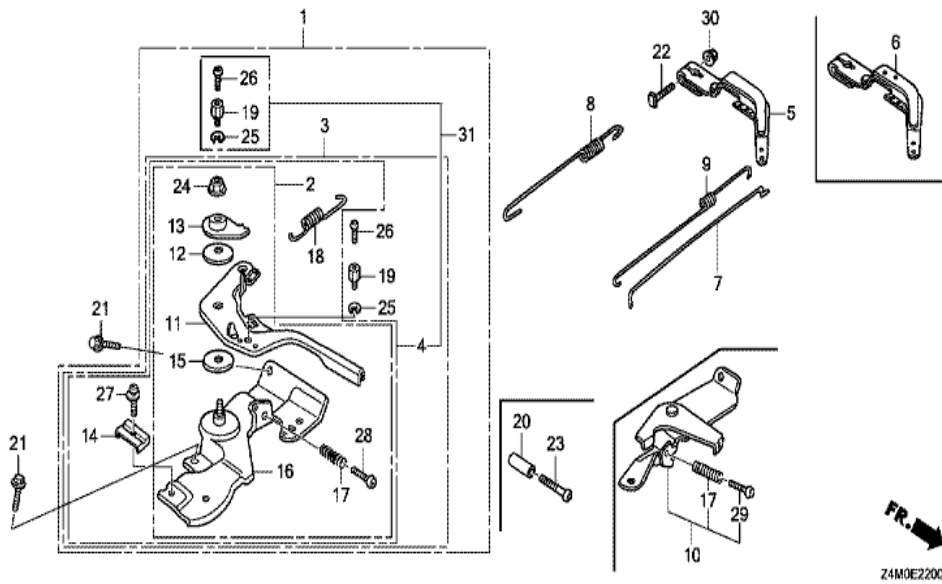




| Ref | Partnumber    | Description                | GX160UT1 | Serial Numbers |
|-----|---------------|----------------------------|----------|----------------|
| 001 | 12204-ZE1-306 | GUIDE, IN. VALVE (OS)      | 1        |                |
| 002 | 12205-ZE1-315 | GUIDE, EX. VALVE (OS)      | 1        |                |
| 003 | 12210-ZH8-415 | HEAD COMP., CYLINDER       | 1        |                |
| 003 | 12210-ZH8-415 | HEAD COMP., CYLINDER       | 1        |                |
| 003 | 12210-ZH8-415 | HEAD COMP., CYLINDER       | 1        |                |
| 004 | 12216-ZE5-300 | CLIP, VALVE GUIDE          | 1        |                |
| 005 | 12251-Z0T-801 | GASKET, CYLINDER HEAD      | 1        | 1394711        |
| 005 | 12251-ZF1-800 | GASKET, CYLINDER HEAD      | 1        | 1584276        |
| 005 | 12251-ZF1-800 | GASKET, CYLINDER HEAD      | 1        | 1394710        |
| 006 | 12310-ZE1-020 | COVER COMP., HEAD          | 1        |                |
| 006 | 12310-ZE1-020 | COVER COMP., HEAD          | 1        |                |
| 006 | 12310-ZE1-020 | COVER COMP., HEAD          | 1        |                |
| 007 | 12391-ZE1-000 | PACKING, HEAD COVER        | 1        |                |
| Ref | Partnumber    | Description                | GX160UT1 | Serial Numbers |
| 009 | 15721-883-030 | TUBE, BREATHER             | 1        |                |
| 010 | 90013-883-000 | BOLT, FLANGE, 6X12 (CT200) | 4        |                |
| 011 | 90043-ZB2-003 | BOLT, STUD, 6X94           | 2        |                |
| 012 | 90047-ZE1-000 | BOLT, STUD, 8X32           | 2        |                |
| 012 | 90047-ZE1-000 | BOLT, STUD, 8X32           | 2        | 1888454        |
| 013 | 94301-10160   | DOWEL PIN, 10X16           | 2        |                |
| 014 | 95701-0806000 | BOLT, FLANGE, 8X60         | 4        | 1891380        |
| 014 | 95723-0806000 | BOLT, FLANGE, 8X60         | 4        | 1891379        |
| 014 | 95723-0806000 | BOLT, FLANGE, 8X60         | 4        | 1891379        |
| 015 | 98079-55876   | PLUG, SPARK (BPR5ES) (NGK) | (1)      |                |
| 015 | 98079-55876   | PLUG, SPARK (BPR5ES) (NGK) | (1)      |                |
| 015 | 98079-55876   | PLUG, SPARK (BPR5ES) (NGK) | (1)      |                |
| 015 | 98079-56876   | PLUG, SPARK (BPR6ES) (NGK) | 1        |                |
| 015 | 98079-56876   | PLUG, SPARK (BPR6ES) (NGK) | 1        |                |
| 015 | 98079-56876   | PLUG, SPARK (BPR6ES) (NGK) | 1        |                |

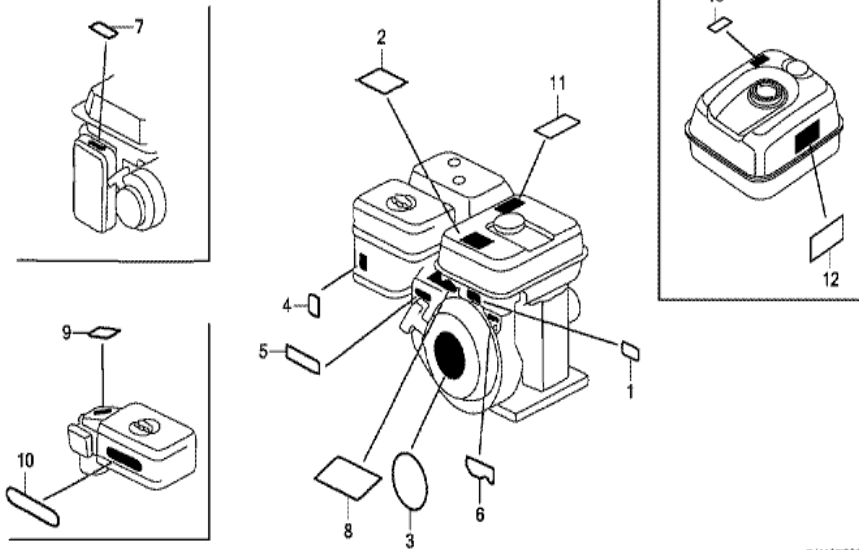


| Ref | Partnumber    | Description                 | GX160UT1 | Serial Numbers |
|-----|---------------|-----------------------------|----------|----------------|
| 001 | 30500-Z0T-801 | COIL ASSY., IGNITION        | 1        | 1584276        |
| 001 | 30500-Z0T-802 | COIL ASSY., IGNITION (TEC)  | 1        |                |
| 001 | 30500-Z0T-802 | COIL ASSY., IGNITION (TEC)  | 1        | 1584277        |
| 002 | 30700-ZF5-013 | CAP ASSY., NOISE SUPPRESSOR | 1        |                |
| 002 | 30700-ZF5-013 | CAP ASSY., NOISE SUPPRESSOR | 1        |                |
| 002 | 30700-ZF5-013 | CAP ASSY., NOISE SUPPRESSOR | 1        |                |
| 009 | 36101-ZE1-010 | CORD, STOP SWITCH (370MM)   | 1        |                |
| 009 | 36101-ZE1-010 | CORD, STOP SWITCH (370MM)   | 1        |                |
| 012 | 90121-952-000 | BOLT, FLANGE, 6X25 (CT200)  | 2        |                |



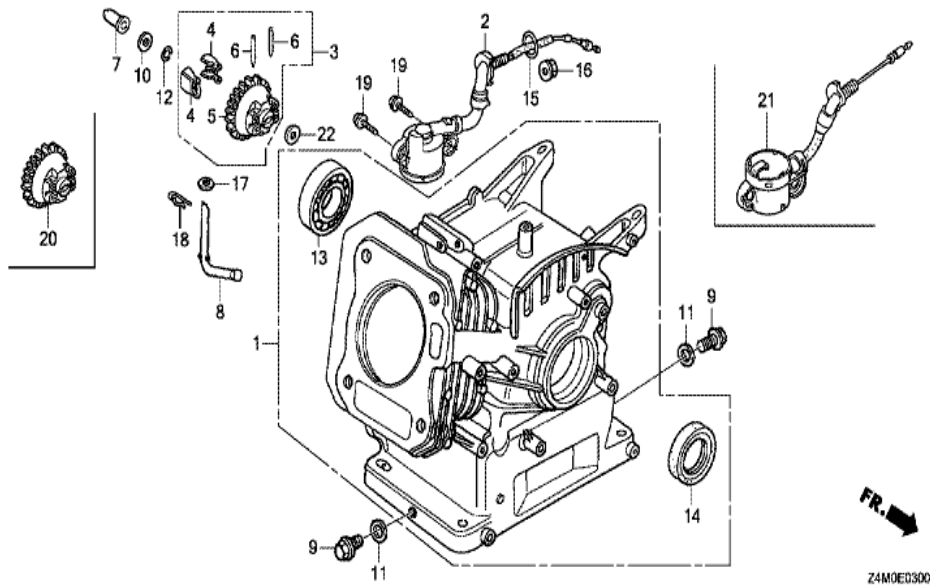
Z4M0E2200B

| <u>Ref</u> | <u>Partnumber</u> | <u>Description</u>         | <u>GX160UT1</u> | <u>Serial Numbers</u> |
|------------|-------------------|----------------------------|-----------------|-----------------------|
| 006        | 16551-ZL0-000     | ARM, GOVERNOR              | 1               |                       |
| 007        | 16555-ZE1-000     | ROD, GOVERNOR              | 1               |                       |
| 007        | 16555-ZE1-000     | ROD, GOVERNOR              | 1               |                       |
| 008        | 16561-ZL0-U30     | SPRING, GOVERNOR           | 1               |                       |
| 008        | 16561-ZL0-U30     | SPRING, GOVERNOR           | 1               |                       |
| 008        | 16561-ZL0-U30     | SPRING, GOVERNOR           | 1               |                       |
| 008        | 16561-ZL0-U30     | SPRING, GOVERNOR           | 1               |                       |
| 008        | 16561-ZL0-U30     | SPRING, GOVERNOR           | 1               |                       |
| 009        | 16562-ZE1-020     | SPRING, THROTTLE RETURN    | 1               |                       |
| 009        | 16562-ZE1-020     | SPRING, THROTTLE RETURN    | 1               |                       |
| 010        | 16570-ZB2-000     | CONTROL ASSY.              | 1               |                       |
| 017        | 16584-883-300     | SPRING, CONTROL ADJUSTING  | 1               |                       |
| 020        | 16599-ZG1-M10     | COLLAR, STOPPER            | (1)             |                       |
| <u>Ref</u> | <u>Partnumber</u> | <u>Description</u>         | <u>GX160UT1</u> | <u>Serial Numbers</u> |
| 021        | 90013-883-000     | BOLT, FLANGE, 6X12 (CT200) | 2               |                       |
| 022        | 90015-ZE5-010     | BOLT, GOVERNOR ARM         | 1               |                       |
| 022        | 90015-ZE5-010     | BOLT, GOVERNOR ARM         | 1               |                       |
| 023        | 90016-ZG9-N30     | SCREW, RECESSED, 5X25      | (1)             |                       |
| 029        | 93500-050350A     | SCREW, PAN, 5X35           | 1               |                       |
| 030        | 94050-06000       | NUT, FLANGE, 6MM           | 1               |                       |



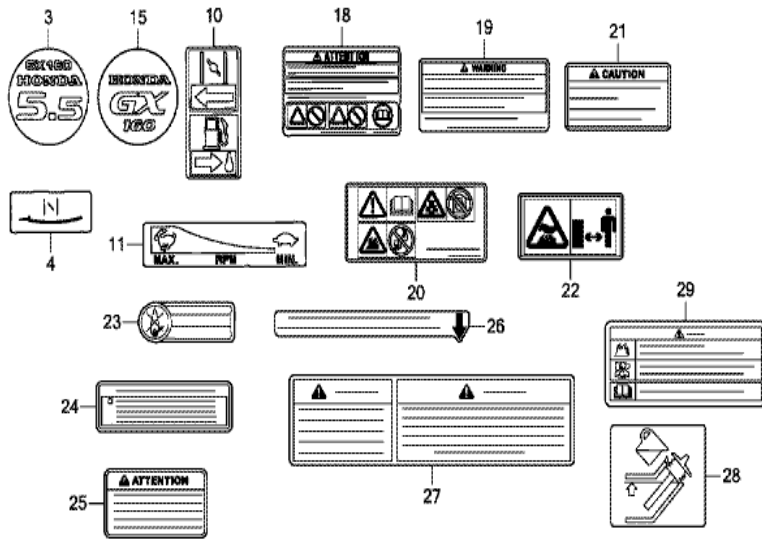
Z4M0E2800E

| Ref | Partnumber    | Description                              | GX160UT1 | Serial Numbers |
|-----|---------------|--|----------|----------------|
| 003 | 87521-ZH8-030 | EMBLEM (GX160 5.5)                       | 1        | 1782484        |
| 003 | 87521-ZH8-030 | EMBLEM (GX160 5.5)                       | 1        | 1782484        |
| 003 | 87521-ZH8-040 | EMBLEM (GX160)                           | 1        |                |
| 003 | 87521-ZH8-040 | EMBLEM (GX160)                           | 1        |                |
| 003 | 87521-ZH8-040 | EMBLEM (GX160)                           | 1        | 1782485        |
| 006 | 87532-ZH9-W41 | MARK, ENGINE SWITCH                      | 1        |                |
| 008 | 87516-Z4H-000 | MARK, OPERATOR CAUTION (ENGLISH) (MADE I | 1        | 2566537        |
| 008 | 87516-Z4H-800 | MARK, OPERATOR CAUTION (FRENCH) (MADE IN | 1        |                |
| 008 | 87516-Z4H-810 | MARK, OPERATOR CAUTION (PICTOGRAPH) (MAD | (1)      |                |
| 008 | 87516-Z4H-810 | MARK, OPERATOR CAUTION (PICTOGRAPH) (MAD | (1)      |                |
| 008 | 87516-Z4H-810 | MARK, OPERATOR CAUTION (PICTOGRAPH) (MAD | (1)      | 2431397        |
| 008 | 87519-Z4H-000 | MARK, OPERATOR CAUTION (PICTOGRAPH)      | 1        | 2566538        |



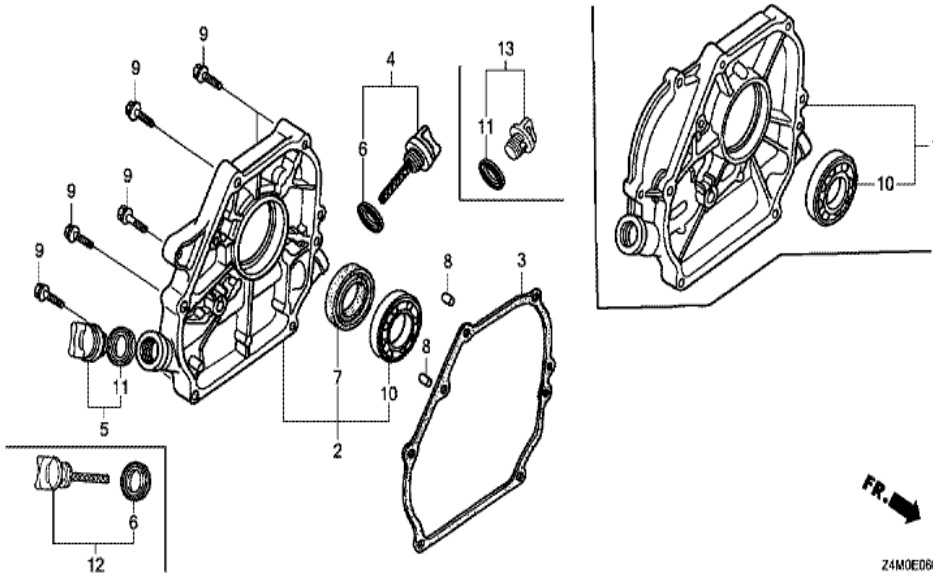
ЗАМОНЕОСЛОЖЕ

| Ref        | Partnumber        | Description                          | GX160UT1        | Serial Numbers        |
|------------|-------------------|--------------------------------------|-----------------|-----------------------|
| 001        | 12000-Z0T-406     | BARREL ASSY., CYLINDER (OIL ALERT)   | 1               |                       |
| 002        | 15510-ZE1-033     | SWITCH ASSY., OIL LEVEL              | 1               | 1706983               |
| 007        | 16531-ZE1-000     | SLIDER, GOVERNOR                     | 1               |                       |
| 007        | 16531-ZE1-000     | SLIDER, GOVERNOR                     | 1               |                       |
| 008        | 16541-ZE1-000     | SHAFT, GOVERNOR ARM                  | 1               |                       |
| 008        | 16541-ZE1-000     | SHAFT, GOVERNOR ARM                  | 1               |                       |
| 009        | 90131-ZE1-000     | BOLT, DRAIN PLUG                     | 2               |                       |
| 010        | 90451-ZE1-000     | WASHER, THRUST, 6MM                  | 1               |                       |
| 011        | 90601-ZE1-000     | WASHER, DRAIN PLUG, 10.2MM           | 2               |                       |
| 012        | 90602-ZE1-000     | CLIP, GOVERNOR HOLDER                | 1               |                       |
| 013        | 91001-Z4X-003     | BEARING, RADIAL BALL (6205) (NSK)    | 1               |                       |
| 013        | 91001-Z4X-003     | BEARING, RADIAL BALL (6205) (NSK)    | 1               |                       |
| 013        | 91001-ZF1-003     | BEARING, RADIAL BALL (6205TMB) (NTN) | 1               |                       |
| <u>Ref</u> | <u>Partnumber</u> | <u>Description</u>                   | <u>GX160UT1</u> | <u>Serial Numbers</u> |
| 013        | 91001-ZF1-003     | BEARING, RADIAL BALL (6205TMB) (NTN) | 1               |                       |
| 013        | 91001-ZF1-004     | BEARING, RADIAL BALL (6205SH) (KOYO) | 1               |                       |
| 013        | 91001-ZF1-004     | BEARING, RADIAL BALL (6205SH) (KOYO) | 1               |                       |
| 014        | 91201-Z0T-801     | OIL SEAL, 25X41X6 (NOK)              | 1               |                       |
| 015        | 91353-671-004     | O-RING, 14MM (NOK)                   | 1               |                       |
| 016        | 94050-10000       | NUT, FLANGE, 10MM                    | 1               |                       |
| 017        | 94101-06800       | WASHER, PLAIN, 6MM                   | 1               |                       |
| 017        | 94101-06800       | WASHER, PLAIN, 6MM                   | 1               |                       |
| 018        | 94251-08000       | PIN, LOCK, 8MM                       | 1               |                       |
| 019        | 95701-0601200     | BOLT, FLANGE, 6X12                   | 2               |                       |
| 020        | 16506-ZL0-000     | GOVERNOR ASSY.                       | 1               |                       |
| 021        | 35480-Z0T-003     | SWITCH ASSY., OIL LEVEL              | 1               |                       |
| 021        | 35480-Z0T-003     | SWITCH ASSY., OIL LEVEL              | 1               | 1706984               |
| 022        | 94101-06800       | WASHER, PLAIN, 6MM                   | 1               |                       |



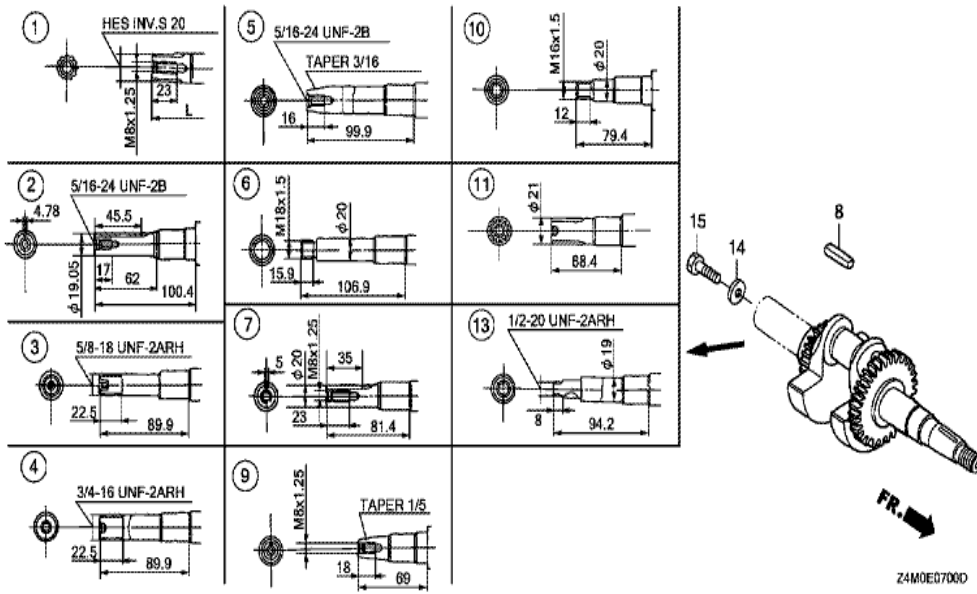
Z4M0E4000F

| Ref | Partnumber    | Description                              | GX160UT1 | Serial Numbers |
|-----|---------------|--|----------|----------------|
| 004 | 87528-ZB2-630 | MARK, CHOKE                              | 1        |                |
| 018 | 87516-Z4H-800 | MARK, OPERATOR CAUTION (FRENCH) (MADE IN | 1        | 2566537        |
| 019 | 87516-Z4H-010 | MARK, OPERATOR CAUTION (ENGLISH) (MADE I | 1        | 2566538        |
| 019 | 87516-Z4H-801 | MARK, OPERATOR CAUTION (FRENCH) (MADE IN | 1        | 2566538        |
| 021 | 87539-Z0J-000 | MARK, EX. CAUTION (ENGLISH)              | 1        | 2566538        |



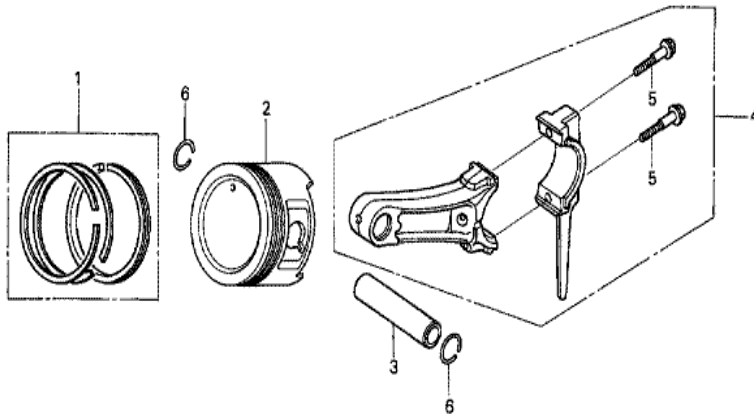
Z4M0E0600B

| Ref | Partnumber    | Description                          | GX160UT1 | Serial Numbers |
|-----|---------------|--------------------------------------|----------|----------------|
| 002 | 11300-ZE1-642 | COVER ASSY., CRANKCASE               | 1        |                |
| 002 | 11300-ZE1-642 | COVER ASSY., CRANKCASE               | 1        |                |
| 002 | 11300-ZE1-642 | COVER ASSY., CRANKCASE               | 1        |                |
| 002 | 11300-ZE1-642 | COVER ASSY., CRANKCASE               | 1        |                |
| 003 | 11381-ZH8-801 | PACKING, CASE COVER (NON ASBESTOS)   | 1        |                |
| 004 | 15600-ZOT-810 | CAP ASSY., OIL FILLER (GAUGE) (GRAY) | 1        |                |
| 005 | 15600-ZOT-820 | CAP ASSY., OIL FILLER (BLACK)        | 1        |                |
| 006 | 15625-ZOT-800 | PACKING, OIL FILLER CAP              | 1        |                |
| 007 | 91201-ZOT-801 | OIL SEAL, 25X41X6 (NOK)              | 1        |                |
| 008 | 94301-08140   | DOWEL PIN, 8X14                      | 2        |                |
| 009 | 95701-0803200 | BOLT, FLANGE, 8X32                   | 6        |                |
| 010 | 96100-6205000 | BEARING, RADIAL BALL, 6205           | 1        |                |
| 011 | 15625-ZOT-800 | PACKING, OIL FILLER CAP              | 1        |                |



| Ref | Partnumber    | Description      | GX160UT1 | Serial Numbers |
|-----|---------------|------------------|----------|----------------|
| 005 | 13310-ZOT-950 | CRANKSHAFT COMP. | 1        |                |
| 005 | 13310-ZOT-950 | CRANKSHAFT COMP. | 1        |                |





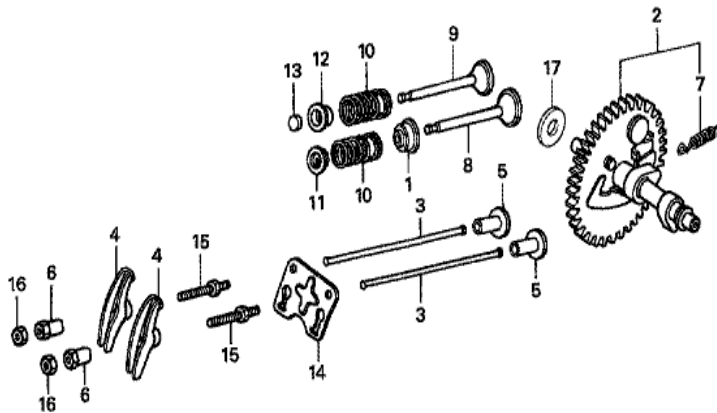
Z4M0-E0800



| Ref | Partnumber    | Description                     | GX160UT1 | Serial Numbers |
|-----|---------------|---------------------------------|----------|----------------|
| 001 | 13010-Z0T-801 | RING SET, PISTON (STD.) (RIKEN) | 1        | 1699489        |
| 001 | 13010-Z4K-004 | RING SET, PISTON (STD.) (TPR)   | 1        |                |
| 001 | 13010-Z4K-004 | RING SET, PISTON (STD.) (TPR)   | 1        | 1699490        |
| 001 | 13010-Z4M-003 | RING SET, PISTON (STD.) (RIKEN) | 1        | 1706984        |
| 001 | 13010-Z4M-003 | RING SET, PISTON (STD.) (RIKEN) | 1        | 1699490        |
| 001 | 13011-Z0T-801 | RING SET, PISTON (0.25) (RIKEN) | (1)      | 1706983        |
| 001 | 13011-Z0T-801 | RING SET, PISTON (0.25) (RIKEN) | (1)      | 1699489        |
| 001 | 13011-Z0T-801 | RING SET, PISTON (0.25) (RIKEN) | (1)      | 1699489        |
| 001 | 13011-Z4K-004 | RING SET, PISTON (0.25) (TPR)   | (1)      | 1706984        |
| 001 | 13011-Z4K-004 | RING SET, PISTON (0.25) (TPR)   | (1)      | 1699490        |
| 001 | 13011-Z4K-004 | RING SET, PISTON (0.25) (TPR)   | (1)      | 1699490        |
| 001 | 13011-Z4M-003 | RING SET, PISTON (0.25) (RIKEN) | (1)      |                |
| 001 | 13011-Z4M-003 | RING SET, PISTON (0.25) (RIKEN) | (1)      | 1699490        |

| <u>Ref</u> | <u>Partnumber</u> | <u>Description</u>              | <u>GX160UT1</u> | <u>Serial Numbers</u> |
|------------|-------------------|---------------------------------|-----------------|-----------------------|
| 001        | 13011-Z4M-003     | RING SET, PISTON (0.25) (RIKEN) | (1)             | 1699490               |
| 001        | 13012-Z0T-801     | RING SET, PISTON (0.50) (RIKEN) | (1)             | 1706983               |
| 001        | 13012-Z0T-801     | RING SET, PISTON (0.50) (RIKEN) | (1)             | 1699489               |
| 001        | 13012-Z0T-801     | RING SET, PISTON (0.50) (RIKEN) | (1)             | 1699489               |
| 001        | 13012-Z4K-004     | RING SET, PISTON (0.50) (TPR)   | (1)             | 1706984               |
| 001        | 13012-Z4K-004     | RING SET, PISTON (0.50) (TPR)   | (1)             | 1699490               |
| 001        | 13012-Z4K-004     | RING SET, PISTON (0.50) (TPR)   | (1)             | 1699490               |
| 001        | 13012-Z4M-003     | RING SET, PISTON (0.50) (RIKEN) | (1)             | 1706984               |
| 001        | 13012-Z4M-003     | RING SET, PISTON (0.50) (RIKEN) | (1)             | 1699490               |
| 001        | 13012-Z4M-003     | RING SET, PISTON (0.50) (RIKEN) | (1)             | 1699490               |
| 001        | 13012-Z4M-003     | RING SET, PISTON (0.50) (RIKEN) | (1)             | 1699490               |
| 001        | 13013-Z0T-801     | RING SET, PISTON (0.75) (RIKEN) | (1)             | 1706983               |
| 001        | 13013-Z0T-801     | RING SET, PISTON (0.75) (RIKEN) | (1)             | 1699489               |
| 001        | 13013-Z0T-801     | RING SET, PISTON (0.75) (RIKEN) | (1)             | 1699489               |
| 001        | 13013-Z0T-801     | RING SET, PISTON (0.75) (RIKEN) | (1)             | 1699489               |
| 001        | 13013-Z4K-004     | RING SET, PISTON (0.75) (TPR)   | (1)             |                       |
| 001        | 13013-Z4K-004     | RING SET, PISTON (0.75) (TPR)   | (1)             |                       |
| 001        | 13013-Z4K-004     | RING SET, PISTON (0.75) (TPR)   | (1)             |                       |
| 001        | 13013-Z4K-004     | RING SET, PISTON (0.75) (TPR)   | (1)             | 1699490               |
| 001        | 13013-Z4M-003     | RING SET, PISTON (0.75) (RIKEN) | (1)             | 1706984               |
| 001        | 13013-Z4M-003     | RING SET, PISTON (0.75) (RIKEN) | (1)             |                       |
| 001        | 13013-Z4M-003     | RING SET, PISTON (0.75) (RIKEN) | (1)             |                       |
| 001        | 13013-Z4M-003     | RING SET, PISTON (0.75) (RIKEN) | (1)             | 1699490               |
| 002        | 13101-Z0T-810     | PISTON (STD.)                   | 1               | 1699489               |
| 002        | 13101-Z4M-000     | PISTON (STD.)                   | 1               | 2805810               |
| 002        | 13101-ZH8-020     | PISTON (STD.)                   | 1               |                       |
| 002        | 13101-ZH8-020     | PISTON (STD.)                   | 1               |                       |
| 002        | 13101-ZH8-020     | PISTON (STD.)                   | 1               | 2805809               |
| 002        | 13101-ZH8-020     | PISTON (STD.)                   | 1               | 1699490 2805809       |
| 002        | 13102-Z0T-810     | PISTON (0.25)                   | (1)             | 1706983               |
| 002        | 13102-Z0T-810     | PISTON (0.25)                   | (1)             | 1699489               |
| 002        | 13102-Z0T-810     | PISTON (0.25)                   | (1)             | 1699489               |
| 002        | 13102-Z0T-810     | PISTON (0.25)                   | (1)             | 1699489               |

| <u>Ref</u> | <u>Partnumber</u> | <u>Description</u>           | <u>GX160UT1</u> | <u>Serial Numbers</u> |
|------------|-------------------|------------------------------|-----------------|-----------------------|
| 002        | 13102-ZH8-020     | PISTON (0.25)                | (1)             | 1706984               |
| 002        | 13102-ZH8-020     | PISTON (0.25)                | (1)             |                       |
| 002        | 13102-ZH8-020     | PISTON (0.25)                | (1)             |                       |
| 002        | 13102-ZH8-020     | PISTON (0.25)                | (1)             |                       |
| 002        | 13102-ZH8-020     | PISTON (0.25)                | (1)             | 1699490               |
| 002        | 13103-Z0T-810     | PISTON (0.50)                | (1)             | 1706983               |
| 002        | 13103-Z0T-810     | PISTON (0.50)                | (1)             | 1699489               |
| 002        | 13103-Z0T-810     | PISTON (0.50)                | (1)             | 1699489               |
| 002        | 13103-Z0T-810     | PISTON (0.50)                | (1)             | 1699489               |
| 002        | 13103-Z0T-810     | PISTON (0.50)                | (1)             | 1699489               |
| 002        | 13103-ZH8-020     | PISTON (0.50)                | (1)             | 1706984               |
| 002        | 13103-ZH8-020     | PISTON (0.50)                | (1)             |                       |
| 002        | 13103-ZH8-020     | PISTON (0.50)                | (1)             |                       |
| 002        | 13103-ZH8-020     | PISTON (0.50)                | (1)             | 1699490               |
| 002        | 13103-ZH8-020     | PISTON (0.50)                | (1)             | 1699490               |
| 002        | 13104-Z0T-810     | PISTON (0.75)                | (1)             | 1706983               |
| 002        | 13104-Z0T-810     | PISTON (0.75)                | (1)             | 1699489               |
| 002        | 13104-Z0T-810     | PISTON (0.75)                | (1)             | 1699489               |
| 002        | 13104-Z0T-810     | PISTON (0.75)                | (1)             | 1699489               |
| 002        | 13104-Z0T-810     | PISTON (0.75)                | (1)             | 1699489               |
| 002        | 13104-ZH8-020     | PISTON (0.75)                | (1)             |                       |
| 002        | 13104-ZH8-020     | PISTON (0.75)                | (1)             |                       |
| 002        | 13104-ZH8-020     | PISTON (0.75)                | (1)             |                       |
| 002        | 13104-ZH8-020     | PISTON (0.75)                | (1)             | 1699490               |
| 003        | 13111-ZE1-000     | PIN, PISTON                  | 1               |                       |
| 003        | 13111-ZE1-000     | PIN, PISTON                  | 1               |                       |
| 004        | 13200-Z0T-800     | ROD ASSY., CONNECTING (TH)   | 1               |                       |
| 004        | 13200-ZE1-020     | ROD ASSY., CONNECTING (STD.) | 1               | 2988544               |
| 004        | 13200-ZE1-020     | ROD ASSY., CONNECTING (STD.) | 1               | 2988544               |
| 005        | 90001-ZE1-000     | BOLT, CONNECTING ROD         | 2               |                       |
| 005        | 90001-ZE1-000     | BOLT, CONNECTING ROD         | 2               |                       |
| 006        | 90551-ZE1-000     | CLIP, PISTON PIN, 18MM       | 2               |                       |



Z4M0-EG900A



| <u>Ref</u> | <u>Partnumber</u> | <u>Description</u>         | <u>GX160UT1</u> | <u>Serial Numbers</u> |
|------------|-------------------|----------------------------|-----------------|-----------------------|
| 001        | 12209-ZH8-003     | SEAL, VALVE STEM           | 1               |                       |
| 001        | 12209-ZH8-003     | SEAL, VALVE STEM           | 1               |                       |
| 002        | 14100-Z0V-880     | CAMSHAFT ASSY.             | 1               |                       |
| 002        | 14100-Z0V-880     | CAMSHAFT ASSY.             | 1               |                       |
| 003        | 14410-ZE1-010     | ROD, PUSH                  | 2               |                       |
| 003        | 14410-ZE1-010     | ROD, PUSH                  | 2               |                       |
| 004        | 14431-ZE1-000     | ARM, VALVE ROCKER          | 2               |                       |
| 005        | 14441-ZE1-010     | LIFTER, VALVE              | 2               |                       |
| 006        | 14451-ZE1-013     | PIVOT, ROCKER ARM          | 2               |                       |
| 006        | 14451-ZE1-013     | PIVOT, ROCKER ARM          | 2               |                       |
| 007        | 14568-ZE1-000     | SPRING, WEIGHT RETURN      | 1               |                       |
| 008        | 14711-ZF1-000     | VALVE, IN.                 | 1               |                       |
| 008        | 14711-ZF1-000     | VALVE, IN.                 | 1               |                       |
| <u>Ref</u> | <u>Partnumber</u> | <u>Description</u>         | <u>GX160UT1</u> | <u>Serial Numbers</u> |
| 009        | 14721-ZF1-000     | VALVE, EX.                 | 1               |                       |
| 009        | 14721-ZF1-000     | VALVE, EX.                 | 1               |                       |
| 010        | 14751-ZF1-000     | SPRING, VALVE              | 2               |                       |
| 011        | 14771-ZE1-000     | RETAINER, IN. VALVE SPRING | 1               |                       |
| 011        | 14771-ZE1-000     | RETAINER, IN. VALVE SPRING | 1               |                       |
| 011        | 14771-ZE1-000     | RETAINER, IN. VALVE SPRING | 1               |                       |
| 012        | 14773-ZE1-000     | RETAINER, EX. VALVE SPRING | 1               |                       |
| 012        | 14773-ZE1-000     | RETAINER, EX. VALVE SPRING | 1               |                       |
| 012        | 14773-ZE1-000     | RETAINER, EX. VALVE SPRING | 1               |                       |
| 012        | 14773-ZE1-000     | RETAINER, EX. VALVE SPRING | 1               |                       |
| 012        | 14773-ZE1-000     | RETAINER, EX. VALVE SPRING | 1               |                       |
| 012        | 14773-ZE1-000     | RETAINER, EX. VALVE SPRING | 1               |                       |
| 013        | 14781-ZE1-000     | ROTATOR, VALVE             | 1               |                       |
| 014        | 14791-ZE1-010     | PLATE, PUSH ROD GUIDE      | 1               |                       |
| 014        | 14791-ZE1-010     | PLATE, PUSH ROD GUIDE      | 1               |                       |
| 015        | 90012-ZE0-010     | BOLT, PIVOT, 8MM           | 2               |                       |
| 016        | 90206-ZE1-000     | NUT, PIVOT ADJUSTING       | 2               |                       |
| 017        | 90413-Z0T-880     | WASHER, THRUST, 14.1MM     | 1               |                       |