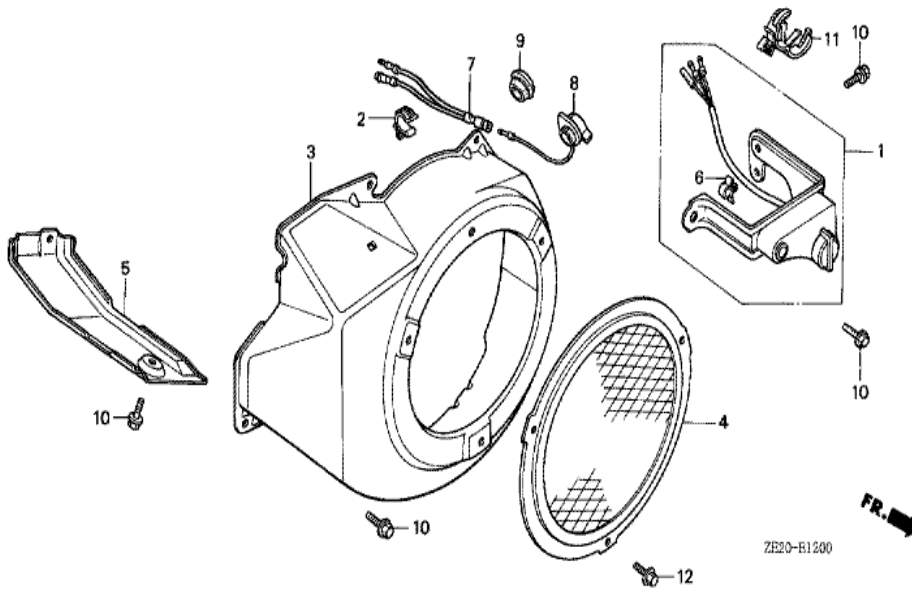
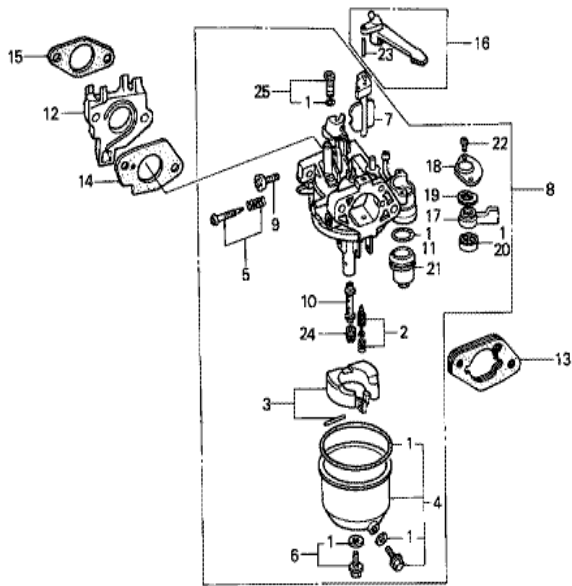


| <u>Ref</u> | <u>Partnumber</u> | <u>Description</u> | <u>GX240</u> | <u>Serial Numbers</u> |
|------------|-------------------|--|--------------|-----------------------|
| 001 | 28400-ZE2-003ZA | STARTER ASSY., RECOIL *R8 * | (1) | |
| 002 | 28410-ZE2-003ZA | CASE COMP., RECOIL STARTER *R8 * | (1) | |
| 003 | 28420-889-631 | REEL COMP., STARTER | (1) | |
| 004 | 28422-ZE1-711 | RATCHET, STARTER | (1) | |
| 005 | 28423-ZE1-711 | SHAFT, RATCHET | (1) | |
| 006 | 28424-ZE1-711 | PLATE, GUIDE | (1) | |
| 007 | 28431-ZE1-711 | PLATE A, FRICTION | (1) | |
| 008 | 28432-ZG0-003 | PLATE B, FRICTION | (1) | |
| 009 | 28434-ZE1-711 | COVER, STARTER REEL | (1) | |
| 010 | 28441-ZE1-711 | SPRING, FRICTION (D=18.5MM / L=20.5MM) | (1) | |
| 011 | 28442-ZE1-711 | SPRING, RETURN | (1) | |
| 012 | 28461-889-631 | GRIP, STARTER | (1) | |
| 013 | 28462-ZE2-003 | ROPE, STARTER | (1) | |
| <u>Ref</u> | <u>Partnumber</u> | <u>Description</u> | <u>GX240</u> | <u>Serial Numbers</u> |
| 014 | 90003-ZG0-003 | BOLT, REEL COVER | (1) | |
| 015 | 90011-ZG0-000 | BOLT, FLANGE, 6X8 | 3 | |



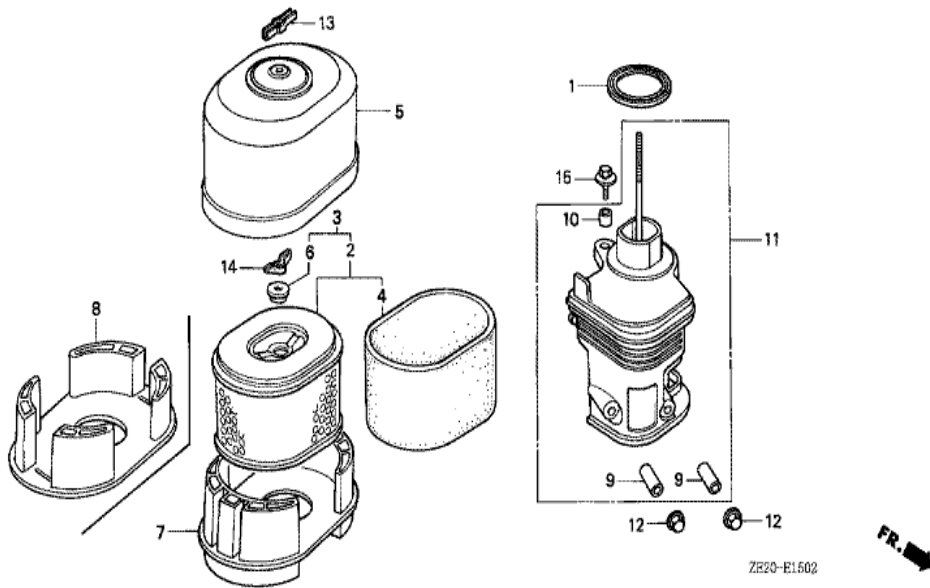
| Ref | Partnumber | Description | GX240 | Serial Numbers |
|-----|----------------|----------------------------|-------|----------------|
| 002 | 16731-ZE2-003 | CLIP, TUBE | 1 | |
| 003 | 19610-ZE2-000H | COVER COMP., FAN | 1 | |
| 005 | 19631-ZE2-000 | SHROUD | 1 | 1014289 |
| 005 | 19631-ZE2-010 | SHROUD | 1 | 1014290 |
| 009 | 81329-567-020 | GROMMET, DRAIN HOLE | 1 | 1494880 |
| 010 | 90013-883-000 | BOLT, FLANGE, 6X12 (CT200) | (N) | |



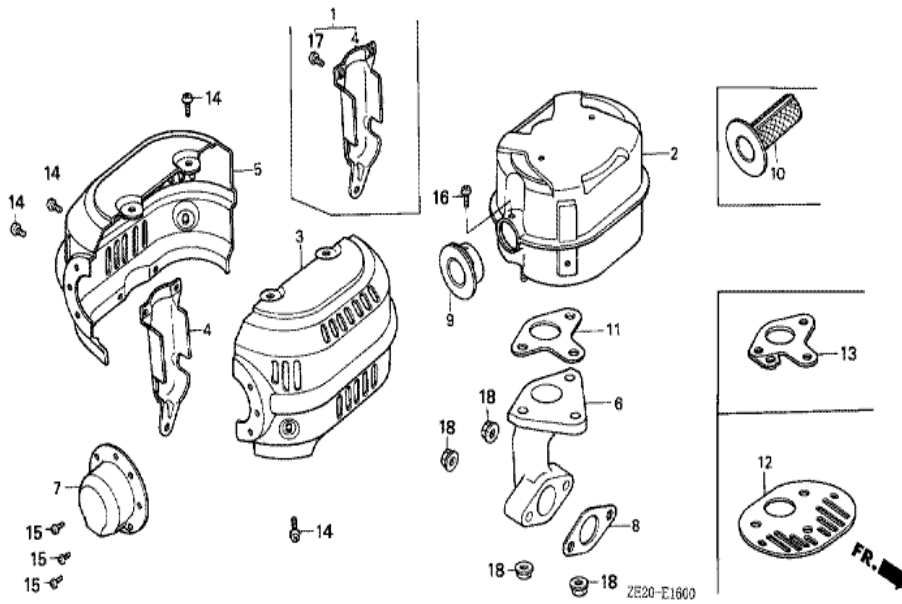
ZE20-E1401

| Ref | Partnumber | Description | GX240 | Serial Numbers |
|-----|---------------|----------------------------|-------|----------------|
| 001 | 16010-ZE2-811 | GASKET SET | (1) | BE15B D |
| 001 | 16010-ZE2-812 | GASKET SET | 1 | BE15B E |
| 002 | 16011-ZA0-931 | VALVE SET, FLOAT | (1) | |
| 003 | 16013-ZA0-931 | FLOAT SET | (1) | |
| 004 | 16015-ZE2-005 | CHAMBER SET, FLOAT | (1) | |
| 005 | 16016-ZA0-931 | SCREW SET, PILOT | (1) | |
| 006 | 16028-ZE0-005 | SCREW SET | (1) | |
| 007 | 16044-ZE2-005 | CHOKE SET | (1) | |
| 008 | 16100-ZE2-811 | CARBURETOR ASSY. (BE15B B) | (1) | 1062262 |
| 008 | 16100-ZE2-813 | CARBURETOR ASSY. (BE15B D) | 1 | 1062263 |
| 008 | 16100-ZE2-814 | CARBURETOR ASSY. (BE15B E) | (1) | |
| 009 | 16124-ZE0-005 | SCREW, THROTTLE STOP | (1) | |
| 010 | 16166-ZE2-015 | NOZZLE, MAIN | (1) | |

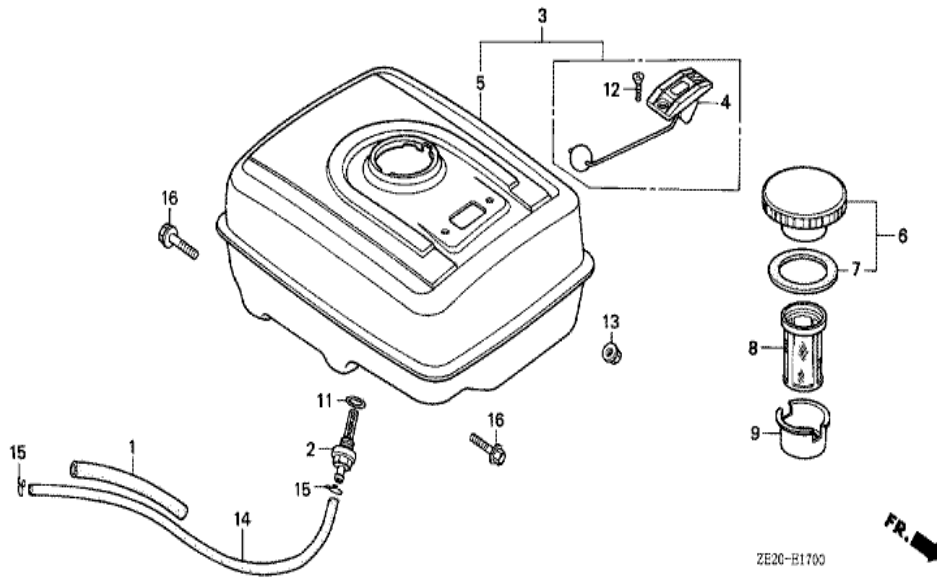
| <u>Ref</u> | <u>Partnumber</u> | <u>Description</u> | <u>GX240</u> | <u>Serial Numbers</u> | |
|------------|-------------------|----------------------------|--------------|-----------------------|---------|
| 011 | 16173-001-004 | PACKING, FUEL STRAINER CUP | (1) | | |
| 012 | 16211-ZE2-000 | INSULATOR, CARBURETOR | 1 | | |
| 013 | 16220-ZA0-700 | SPACER COMP., CARBURETOR | 1 | | 1095731 |
| 013 | 16220-ZA0-701 | SPACER COMP., CARBURETOR | (1) | BE15B D | BE15B D |
| 013 | 16220-ZA0-702 | SPACER COMP., CARBURETOR | 1 | 1160854 | |
| 013 | 16220-ZE2-000 | SPACER COMP., CARBURETOR | 1 | | |
| 014 | 16221-ZA0-700 | PACKING, CARBURETOR | 1 | | |
| 015 | 16223-ZA0-700 | PACKING, INSULATOR | 1 | | BE15B D |
| 016 | 16610-ZE1-000 | LEVER COMP., CHOKE (STD.) | 1 | | |
| 017 | 16953-ZE1-811 | LEVER, COCK | (1) | | |
| 018 | 16954-ZE1-811 | PLATE, LEVER SETTING | (1) | | |
| 019 | 16956-ZE1-811 | SPRING, COCK LEVER | (1) | | |
| 020 | 16957-ZE1-811 | PACKING, FUEL COCK | (1) | | BE15B D |
| 020 | 16957-ZE1-812 | PACKING, FUEL COCK | 1 | | |
| 021 | 16967-ZE0-811 | CUP, FUEL STRAINER | (1) | | |
| 022 | 93500-030081G | SCREW, PAN, 3X8 | 2 | BE15B E | |
| 022 | 93500-030081H | SCREW, PAN, 3X8 | (2) | | BE15B D |
| 023 | 94305-20122 | PIN, SPRING, 2X12 | 1 | | |
| 024 | 99101-1240820 | JET, MAIN, #82 | (1) | | |
| 024 | 99101-1240850 | JET, MAIN, #85 | (1) | BE15B D | |
| 024 | 99101-1240880 | JET, MAIN, #88 | (1) | | |
| 025 | 99204-ZE20380 | JET SET, PILOT, #38 | (1) | | |



| <u>Ref</u> | <u>Partnumber</u> | <u>Description</u> | <u>GX240</u> | <u>Serial Numbers</u> |
|------------|-------------------|--|--------------|-----------------------|
| 001 | 16271-ZE2-000 | PACKING, ELBOW | (1) | |
| 002 | 17210-ZE2-821 | ELEMENT, AIR CLEANER (DUAL) | (1) | |
| 003 | 17210-ZE2-822 | ELEMENT, AIR CLEANER (DUAL) | (1) | |
| 004 | 17218-ZE2-821 | FILTER, OUTER | (1) | |
| 005 | 17230-ZE2-820 | COVER, AIR CLEANER (DUAL) | (1) | |
| 006 | 17232-891-000 | GROMMET, AIR CLEANER | (1) | |
| 009 | 17238-ZE2-300 | COLLAR, AIR CLEANER | (2) | 1095731 |
| 009 | 17238-ZE2-310 | COLLAR, AIR CLEANER | 2 | 1095732 |
| 010 | 17239-ZE1-000 | COLLAR B, AIR CLEANER | (1) | |
| 011 | 17410-ZE2-000 | ELBOW COMP., AIR CLEANER | (1) | 1014240 |
| 011 | 17410-ZE2-010 | ELBOW COMP., AIR CLEANER | (1) | 1014241 1095731 |
| 011 | 17410-ZE2-020 | ELBOW COMP., AIR CLEANER | 1 | 1095732 |
| 012 | 90201-415-000 | NUT, CAP, 6MM | (2) | |
| <u>Ref</u> | <u>Partnumber</u> | <u>Description</u> | <u>GX240</u> | <u>Serial Numbers</u> |
| 013 | 90203-PB2-000 | NUT, AIR CLEANER COVER (DACRO COATING) | 1 | |
| 014 | 90325-044-000 | NUT, TOOL BOX SETTING | (1) | |
| 015 | 93494-0602008 | BOLT-WASHER, 6X20 | (1) | |



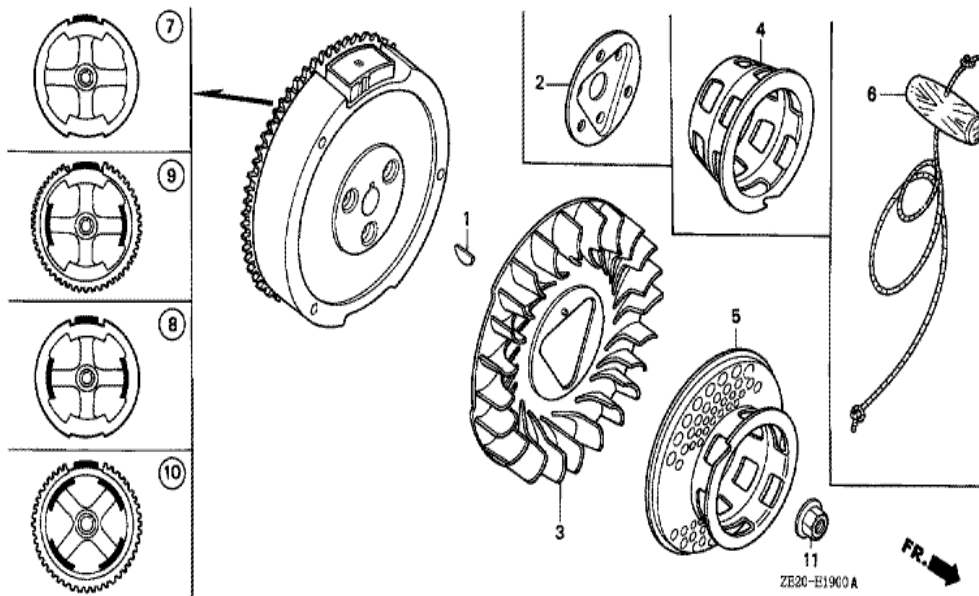
| Ref | Partnumber | Description | GX240 | Serial Numbers |
|-----|---------------|-----------------------|-------|----------------|
| 002 | 18310-ZE2-003 | MUFFLER COMP. | (1) | 1119013 |
| 002 | 18310-ZE2-013 | MUFFLER COMP. | 1 | 1119014 |
| 003 | 18320-ZE2-003 | PROTECTOR, R. MUFFLER | (1) | |
| 005 | 18325-ZE2-003 | PROTECTOR, L. MUFFLER | (1) | |
| 006 | 18330-ZE2-000 | PIPE, EX. | 1 | |
| 008 | 18333-ZE2-000 | GASKET, EX. PIPE | 1 | 1072859 |
| 008 | 18333-ZE3-000 | GASKET, EX. PIPE | 1 | 1072860 |
| 011 | 18381-ZE2-000 | GASKET, MUFFLER | 1 | 1381522 |
| 014 | 90050-ZE1-000 | SCREW, TAPPING, 5X8 | (6) | |
| 018 | 94050-08000 | NUT, FLANGE, 8MM | 2 | |



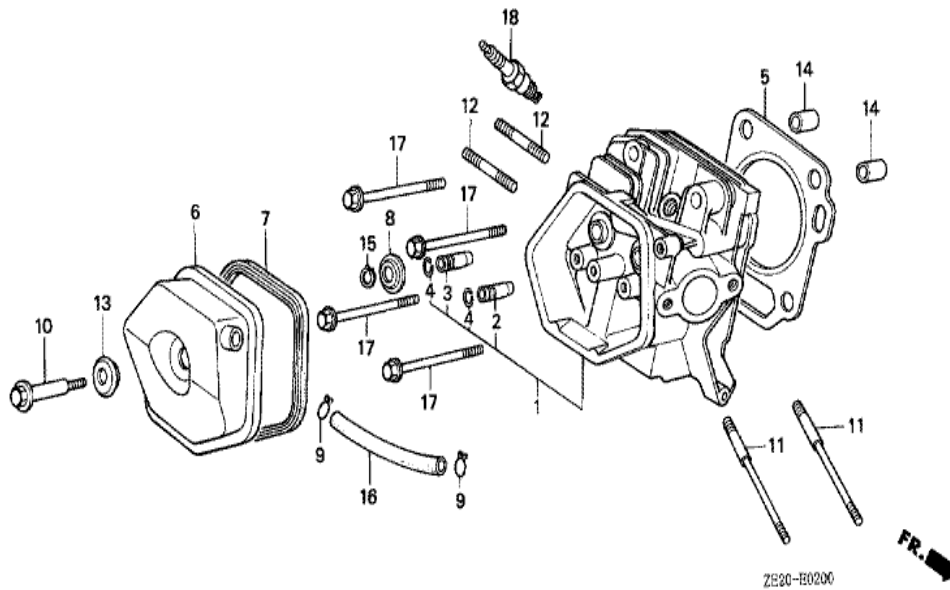
ZE20-B1700



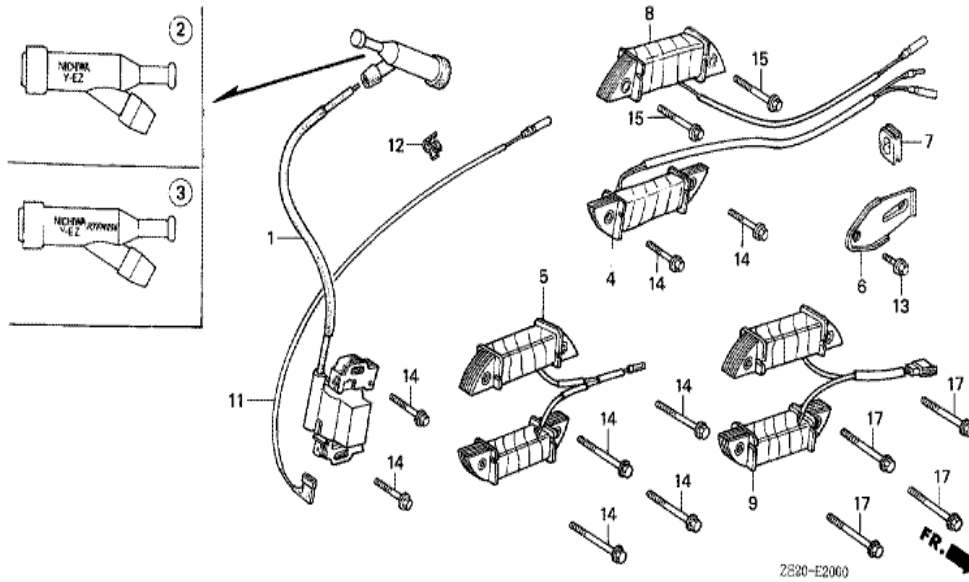
| <u>Ref</u> | <u>Partnumber</u> | <u>Description</u> | <u>GX240</u> | <u>Serial Numbers</u> |
|------------|-------------------|---------------------------------------|--------------|-----------------------|
| 001 | 16854-ZE1-000 | RUBBER, SUPPORTER (107MM) | 1 | 1523056 |
| 001 | 16854-ZH8-000 | RUBBER, SUPPORTER (107MM) | 1 | 1523057 |
| 002 | 16955-ZE1-000 | JOINT, FUEL TANK | 1 | |
| 005 | 17510-ZE2-000ZA | TANK COMP., FUEL *NH31 * | (1) | 1487905 |
| 005 | 17510-ZE2-010ZA | TANK COMP., FUEL *NH31 * | (1) | 1487906 |
| 006 | 17620-890-000 | CAP COMP., FUEL FILLER | 1 | |
| 006 | 17620-890-010 | CAP COMP., FUEL FILLER | (1) | |
| 007 | 17631-329-000 | PACKING, FUEL FILLER CAP | 1 | |
| 007 | 17631-329-003 | PACKING, FUEL FILLER CAP (39X58X3) | (1) | |
| 011 | 91353-671-004 | O-RING, 14MM (NOK) | (1) | |
| 013 | 94050-08000 | NUT, FLANGE, 8MM | 2 | |
| 014 | 95001-4522240 | TUBE, FUEL, 4.5X222 (95001-45001-60M) | (1) | |
| 015 | 95002-02080 | CLIP, TUBE (B8) | 2 | |
| <u>Ref</u> | <u>Partnumber</u> | <u>Description</u> | <u>GX240</u> | <u>Serial Numbers</u> |
| 016 | 95900-0802500 | BOLT, FLANGE, 8X25 | 2 | |



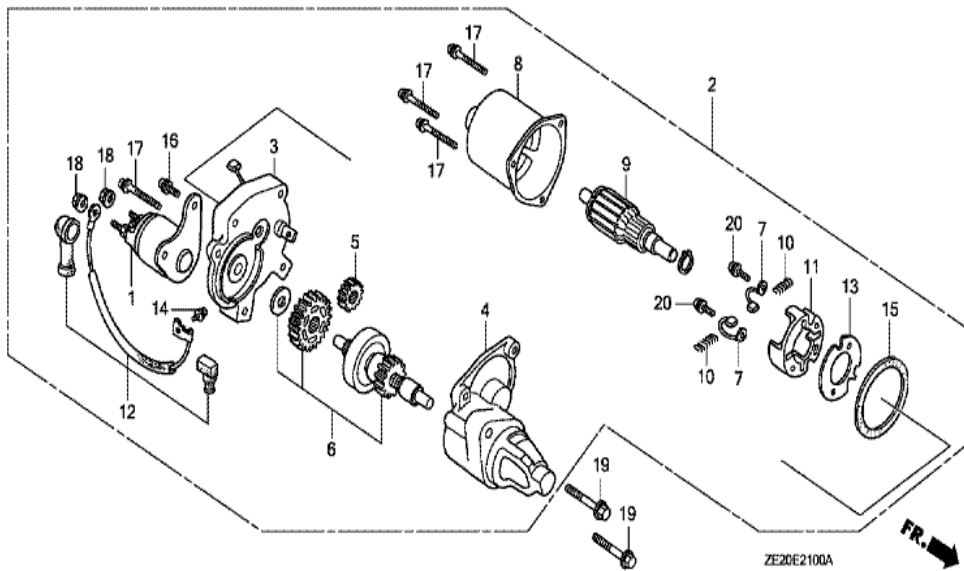
| Ref | Partnumber | Description | GX240 | Serial Numbers |
|-----|---------------|--------------------------------|-------|----------------|
| 001 | 13331-357-000 | KEY, SPECIAL WOODRUFF, 25X18 | 1 | |
| 003 | 19511-ZE2-000 | FAN, COOLING | 1 | |
| 005 | 28451-ZE2-811 | PULLEY COMP., STARTER | (1) | |
| 009 | 31100-ZE2-820 | FLYWHEEL COMP. (STARTER MOTOR) | 1 | 1481012 |
| 009 | 31100-ZE2-821 | FLYWHEEL COMP. (STARTER MOTOR) | 1 | |
| 011 | 90201-ZE3-790 | NUT, SPECIAL, 16MM | 1 | |



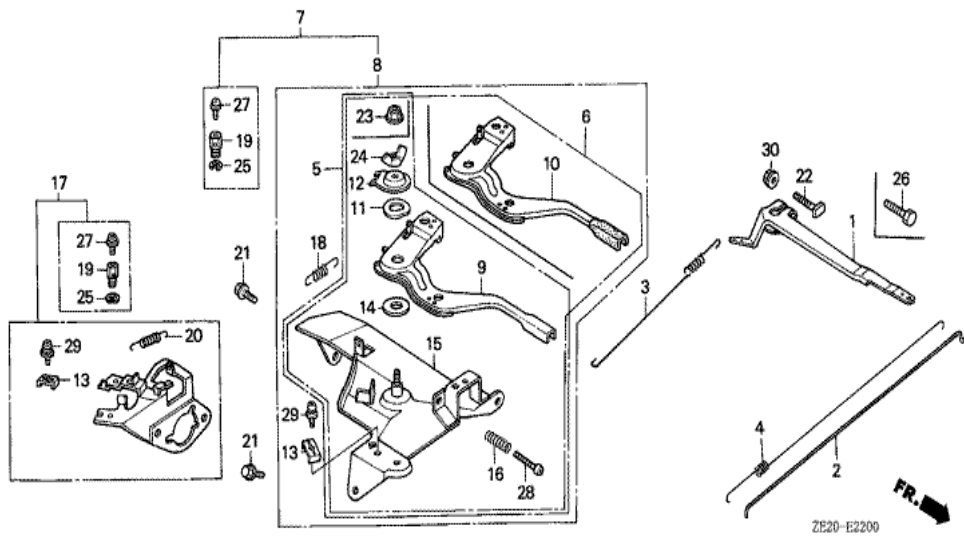
| <u>Ref</u> | <u>Partnumber</u> | <u>Description</u> | <u>GX240</u> | <u>Serial Numbers</u> |
|------------|-------------------|--------------------------------|--------------|-----------------------|
| 001 | 122A0-ZE2-000 | HEAD COMP., CYLINDER | 1 | 1000440 |
| 001 | 122A0-ZE2-010 | HEAD COMP., CYLINDER | 1 | 1000441 1003216 |
| 001 | 122A0-ZE2-020 | HEAD COMP., CYLINDER | 1 | 1003217 1014289 |
| 001 | 122A0-ZE2-030 | HEAD COMP., CYLINDER | 1 | |
| 002 | 12204-ZE2-305 | GUIDE, IN. VALVE (O.S.) | (1) | 1000440 |
| 002 | 12204-ZE2-315 | GUIDE, IN. VALVE (OS) | (1) | 1000441 |
| 003 | 12205-ZE2-305 | GUIDE, EX. VALVE (OS) | (1) | |
| 004 | 12216-ZE2-300 | CLIP, VALVE GUIDE | 2 | |
| 005 | 12251-ZE2-000 | GASKET, CYLINDER HEAD | 1 | |
| 006 | 12310-ZE2-000 | COVER COMP., HEAD | 1 | 1014289 |
| 006 | 12310-ZE2-010 | COVER COMP., HEAD | 1 | 1014290 |
| 007 | 12391-ZE2-000 | PACKING, HEAD COVER | 1 | 1086328 |
| 007 | 12391-ZE2-010 | PACKING, HEAD COVER | 1 | 1086329 |
| <u>Ref</u> | <u>Partnumber</u> | <u>Description</u> | <u>GX240</u> | <u>Serial Numbers</u> |
| 008 | 14775-ZE2-010 | SEAT, VALVE SPRING | 1 | |
| 010 | 90014-ZE2-000 | BOLT, HEAD COVER | 1 | |
| 011 | 90042-ZE2-000 | BOLT, STUD, 8X123 | 2 | |
| 012 | 90047-ZE2-000 | BOLT, STUD, 8X47 | 2 | |
| 013 | 90441-ZE2-000 | WASHER COMP., HEAD COVER | 1 | 1069849 |
| 013 | 90441-ZE2-010 | WASHER COMP., HEAD COVER | 1 | 1069850 |
| 014 | 94301-12200 | DOWEL PIN, 12X20 | 2 | |
| 015 | 94510-11000 | CIRCLIP, EXTERNAL, 11MM | 1 | |
| 016 | 95005-1110530 | TUBE, 11X105 (95005-11001-30M) | 1 | 1014290 |
| 016 | 95005-8010030 | TUBE, 8X100 (95005-80001-30M) | 1 | 1014289 |
| 017 | 95725-1008000 | BOLT, FLANGE, 10X80 | 4 | |
| 018 | 98079-55855 | PLUG, SPARK (W16EPR-U) (DENSO) | (1) | |
| 018 | 98079-56846 | PLUG, SPARK (BPR6ES) (NGK) | (1) | |
| 018 | 98079-56855 | PLUG, SPARK (W20EPR-U) (DENSO) | (1) | |



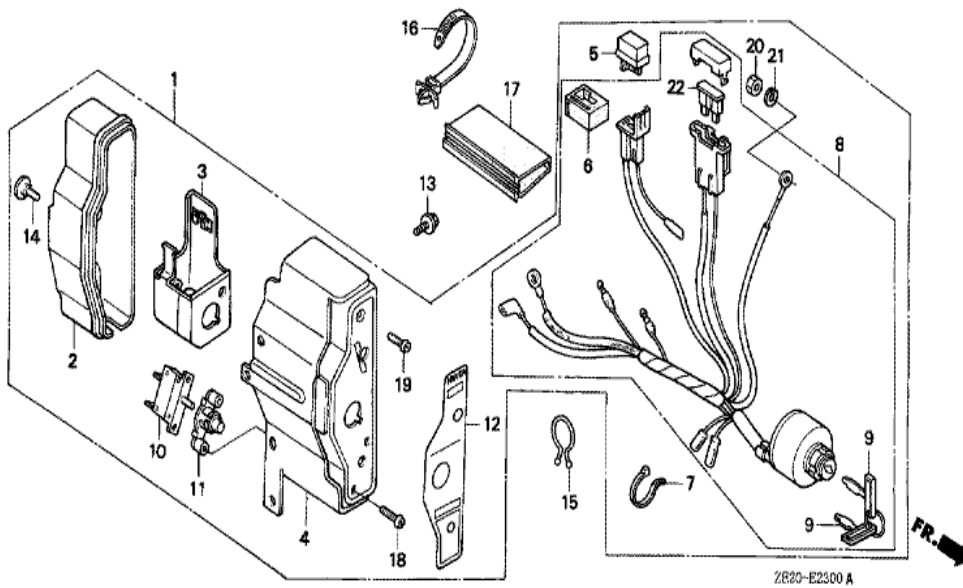
| Ref | Partnumber | Description | GX240 | Serial Numbers |
|-----|---------------|--|-------|----------------|
| 001 | 30500-ZE2-003 | COIL ASSY., IGNITION | (1) | 1512433 |
| 001 | 30500-ZE2-013 | COIL ASSY., IGNITION | 1 | 1512434 |
| 003 | 30700-ZE1-013 | CAP ASSY., NOISE SUPPRESSOR (NICHIBA Y-E | (1) | |
| 006 | 31511-ZE2-000 | CLAMPER, CORD | (1) | |
| 007 | 31512-ZE2-000 | GROMMET, CORD | 1 | |
| 008 | 31630-ZE1-003 | COIL ASSY., CHARGE (1A) | 1 | 1479500 |
| 011 | 36101-ZE1-010 | CORD, STOP SWITCH (370MM) | 1 | 1512434 |
| 011 | 36101-ZE2-000 | CORD, STOP SWITCH | (1) | 1512433 |
| 012 | 36103-ZE1-000 | HOLDER, STOP SWITCH CORD | 2 | 1487105 |
| 013 | 90013-883-000 | BOLT, FLANGE, 6X12 (CT200) | (1) | |
| 014 | 90015-883-000 | BOLT, FLANGE, 6X28 (CT200) | (2) | |



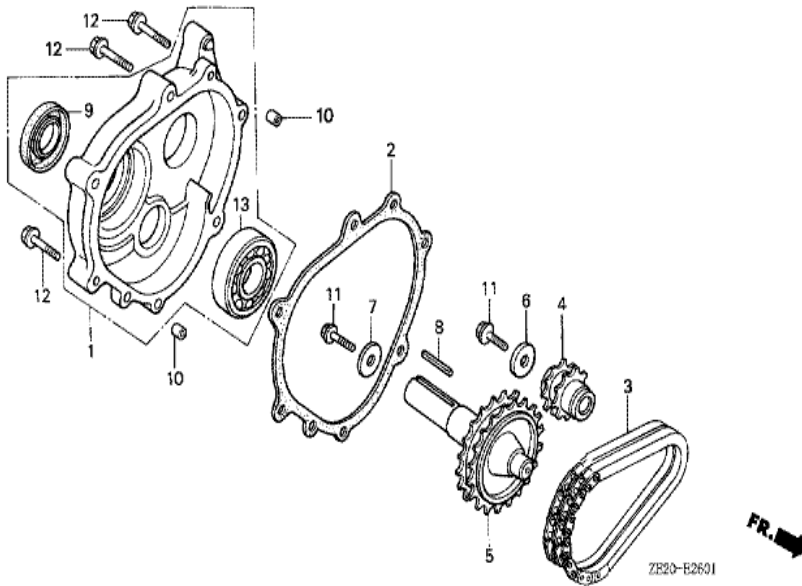
| <u>Ref</u> | <u>Partnumber</u> | <u>Description</u> | <u>GX240</u> | <u>Serial Numbers</u> |
|------------|-------------------|---------------------------|--------------|-----------------------|
| 001 | 31204-ZA0-003 | CONTACTOR ASSY. | (1) | 1012981 |
| 001 | 31204-ZE2-003 | CONTACTOR ASSY. | (1) | 1012980 |
| 002 | 31210-ZE2-003 | MOTOR UNIT, STARTER | (1) | |
| 003 | 31211-ZE2-003 | BRACKET, CENTER | (1) | |
| 004 | 31212-ZE2-003 | BRACKET, FR. | (1) | |
| 005 | 31213-ZE2-003 | GEAR, DRIVE PINION | (1) | |
| 006 | 31214-ZE2-003 | CLUTCH COMP., OVERRUNNING | (1) | |
| 007 | 31215-ZE2-003 | BRUSH | (2) | |
| 008 | 31216-ZE2-003 | YOKE COMP. | (1) | |
| 009 | 31217-ZE2-003 | ARMATURE COMP. | (1) | |
| 010 | 31219-ZE2-003 | SPRING, BRUSH RETURN | (4) | |
| 011 | 31231-ZE2-003 | HOLDER, BRUSH | (1) | |
| 012 | 31232-ZE2-013 | WIRE, WATER COVER | (1) | |
| <u>Ref</u> | <u>Partnumber</u> | <u>Description</u> | <u>GX240</u> | <u>Serial Numbers</u> |
| 013 | 31233-ZE2-003 | INSULATOR | (1) | |
| 014 | 90110-ZE2-003 | SCREW-WASHER, 4X6 | (1) | |
| 015 | 91601-ZE2-003 | PACKING | (1) | |
| 016 | 93892-0501418 | SCREW-WASHER, 5X14 | (2) | |
| 017 | 93892-0503218 | SCREW-WASHER, 5X32 | (4) | |
| 018 | 94070-06080 | NUT-WASHER, 6MM | (2) | |
| 019 | 95700-0804000 | BOLT, FLANGE, 8X40 | (2) | |
| 020 | 31219-ZE3-003 | SCREW-WASHER, 4X14 | (2) | |



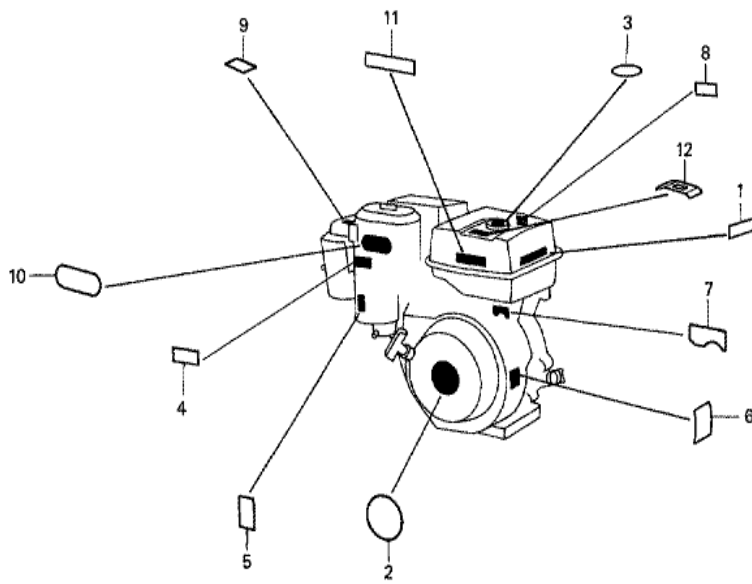
| Ref | Partnumber | Description | GX240 | Serial Numbers |
|------------|-------------------|--|--------------|-----------------------|
| 001 | 16551-ZE2-000 | ARM, GOVERNOR | 1 | |
| 002 | 16555-ZE2-000 | ROD, GOVERNOR | 1 | |
| 003 | 16561-ZE2-000 | SPRING, GOVERNOR (L=145.0MM) (WIRE DIAME | 1 | |
| 004 | 16562-ZE2-000 | SPRING, THROTTLE RETURN | 1 | |
| 008 | 16570-ZE2-821 | CONTROL ASSY. (REMOTE) | (1) | 1519063 |
| 008 | 16570-ZE2-W20 | CONTROL ASSY. (REMOTE) | (1) | 1519064 |
| 009 | 16571-ZE2-000 | LEVER, CONTROL | (1) | 1519063 |
| 009 | 16571-ZE2-W00 | LEVER, CONTROL | (1) | 1519064 |
| 011 | 16574-ZE1-000 | SPRING, LEVER | (1) | |
| 012 | 16575-ZE2-000 | WASHER, CONTROL LEVER | (1) | 1519063 |
| 012 | 16575-ZE2-W00 | WASHER, CONTROL LEVER | (1) | 1519064 |
| 013 | 16576-891-000 | HOLDER, CABLE | (1) | |
| 014 | 16578-ZE1-000 | SPACER, CONTROL LEVER | (1) | |
| <u>Ref</u> | <u>Partnumber</u> | <u>Description</u> | <u>GX240</u> | <u>Serial Numbers</u> |
| 015 | 16581-ZE2-000 | BASE COMP., CONTROL | (1) | |
| 015 | 16581-ZE2-010 | BASE COMP., CONTROL | (1) | 1519063 |
| 015 | 16581-ZE2-W00 | BASE COMP., CONTROL (###) | (1) | 1519064 |
| 016 | 16584-883-300 | SPRING, CONTROL ADJUSTING | (1) | |
| 018 | 16592-883-310 | SPRING, CABLE RETURN | (1) | |
| 021 | 90013-883-000 | BOLT, FLANGE, 6X12 (CT200) | 2 | |
| 022 | 90015-ZE5-010 | BOLT, GOVERNOR ARM | 1 | 1094202 |
| 023 | 90114-SA0-000 | NUT, SELF-LOCK, 6MM | (1) | 1519064 |
| 024 | 90352-883-003 | NUT, WING, 6MM | (1) | 1519063 |
| 026 | 92000-060220A | BOLT, HEX., 6X22 | 1 | 1094201 |
| 028 | 93500-050280A | SCREW, PAN, 5X28 | (1) | |
| 029 | 93500-050160A | SCREW, PAN, 5X16 | (1) | 1519064 |
| 029 | 93893-0501600 | SCREW-WASHER, 5X16 | (1) | 1519063 |
| 030 | 94050-06000 | NUT, FLANGE, 6MM | 1 | |



| <u>Ref</u> | <u>Partnumber</u> | <u>Description</u> | <u>GX240</u> | <u>Serial Numbers</u> |
|------------|-------------------|---------------------------------------|--------------|-----------------------|
| 001 | 31610-ZE2-812ZB | BOX ASSY., CONTROL *R8 * | (1) | |
| 002 | 31612-ZE2-003 | CASE, CONTROL | (1) | |
| 003 | 31614-ZE2-003 | BRACKET, CASE MOUNTING | (1) | |
| 004 | 31615-ZE2-003ZB | PANEL COMP., CONTROL *R8 * | (1) | |
| 005 | 31700-124-008 | RECTIFIER ASSY., SILICON (SHINDENGEN) | (1) | |
| 006 | 32127-738-700 | SUSPENSION, COUPLER | (1) | |
| 007 | 32902-892-003 | BAND | (1) | |
| 008 | 35100-ZE2-023 | SWITCH ASSY., COMBINATION | (1) | |
| 009 | 35111-880-003 | KEY COMP. | (2) | |
| 010 | 38240-VA3-900 | PROTECTOR, CIRCUIT (1.0A) | (1) | |
| 011 | 38250-ZA8-701 | LENS ASSY., PROTECTOR | (1) | |
| 012 | 87529-ZE2-811 | MARK, CONTROL BOX (EXTERNAL) | (1) | |
| 013 | 90013-883-000 | BOLT, FLANGE, 6X12 (CT200) | (2) | |
| <u>Ref</u> | <u>Partnumber</u> | <u>Description</u> | <u>GX240</u> | <u>Serial Numbers</u> |
| 014 | 90380-MA6-010 | SCREW, SPECIAL, 6X12 | (1) | |
| 017 | 91406-ZE2-003 | TUBE, FASTENER, 30MM | (1) | |
| 018 | 93500-030120H | SCREW, PAN, 3X12 | (2) | |
| 019 | 93500-040120H | SCREW, PAN, 4X12 | (1) | |
| 020 | 94001-043900S | NUT, HEX., 4MM | (1) | |
| 022 | 98200-30500 | FUSE, BLADE (5A) | (1) | |

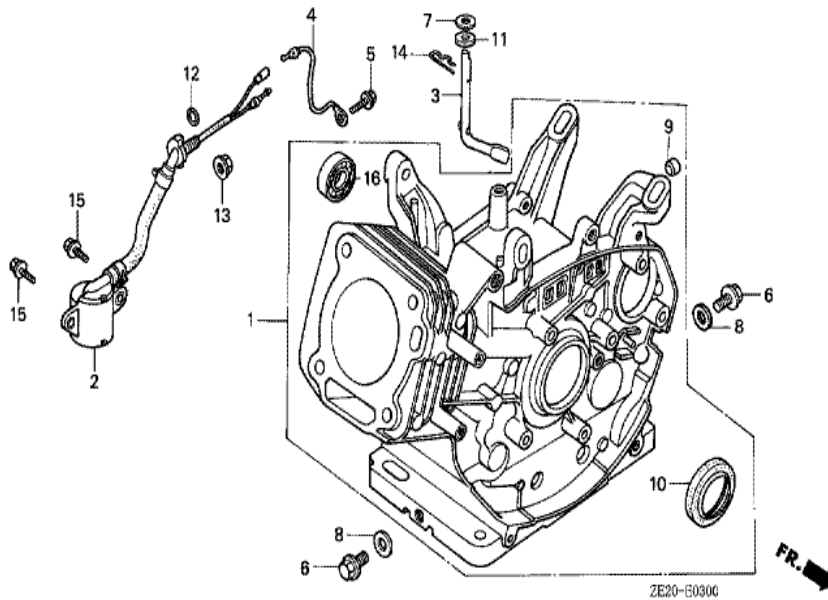


| <u>Ref</u> | <u>Partnumber</u> | <u>Description</u> | <u>GX240</u> | <u>Serial Numbers</u> |
|------------|-------------------|-----------------------------|--------------|-----------------------|
| 001 | 11500-ZE2-610 | COVER ASSY., CHAIN CASE | 1 | |
| 002 | 11521-ZE2-610 | PACKING, CHAIN CASE COVER | 1 | |
| 003 | 14411-ZE2-611 | CHAIN, P.T.O. DRIVE | 1 | |
| 004 | 23110-ZE2-610 | SPROCKET, DRIVE (14T) | 1 | |
| 005 | 23710-ZE2-610 | SHAFT, P.T.O. (28T) | 1 | |
| 006 | 90473-842-000 | WASHER, 8MM | 1 | |
| 008 | 90741-805-000 | KEY, 7X7X33 | (1) | |
| 008 | 90741-889-810 | KEY, 7X7X33 (YELLOW) (O.S.) | (1) | |
| 009 | 91201-890-003 | OIL SEAL, 30X46X8 | 1 | |
| 010 | 90701-HC4-000 | DOWEL PIN, 8X12 | 2 | 1342866 |
| 010 | 94301-08120 | PIN A, DOWEL, 8X12 | 2 | 1238478 1342865 |
| 011 | 95900-0802500 | BOLT, FLANGE, 8X25 | 1 | |
| 012 | 95900-0804000 | BOLT, FLANGE, 8X40 | 6 | |
| <u>Ref</u> | <u>Partnumber</u> | <u>Description</u> | <u>GX240</u> | <u>Serial Numbers</u> |
| 013 | 96100-6206000 | BEARING, RADIAL BALL, 6206 | 1 | |

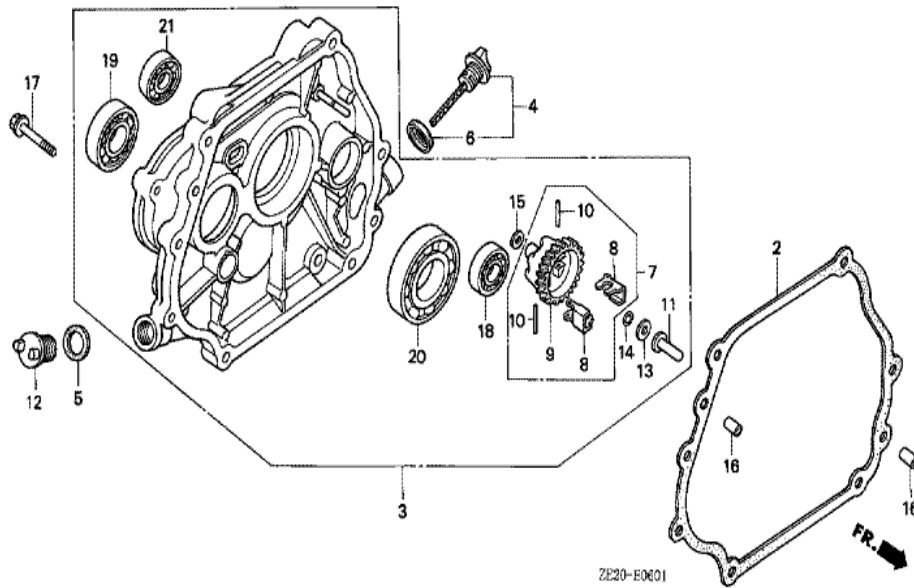


ZE20-E2800

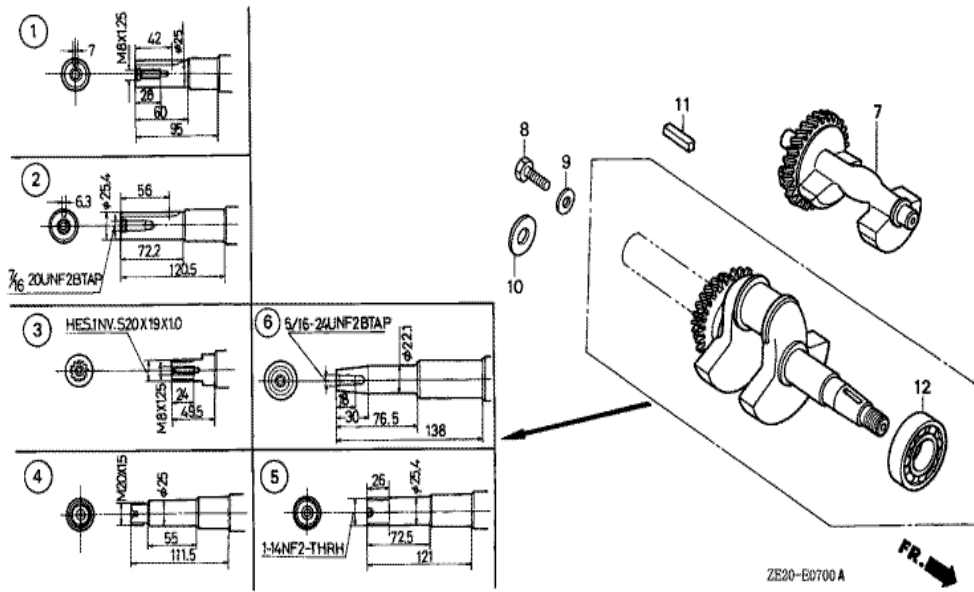
| Ref | Partnumber | Description | GX240 | Serial Numbers |
|-----|---------------|----------------------|-------|----------------|
| 002 | 87521-ZE2-810 | EMBLEM | (1) | |
| 003 | 87522-ZE1-810 | MARK, CAUTION | (1) | |
| 005 | 87528-ZE2-810 | MARK, CHOKE (ORANGE) | (1) | |



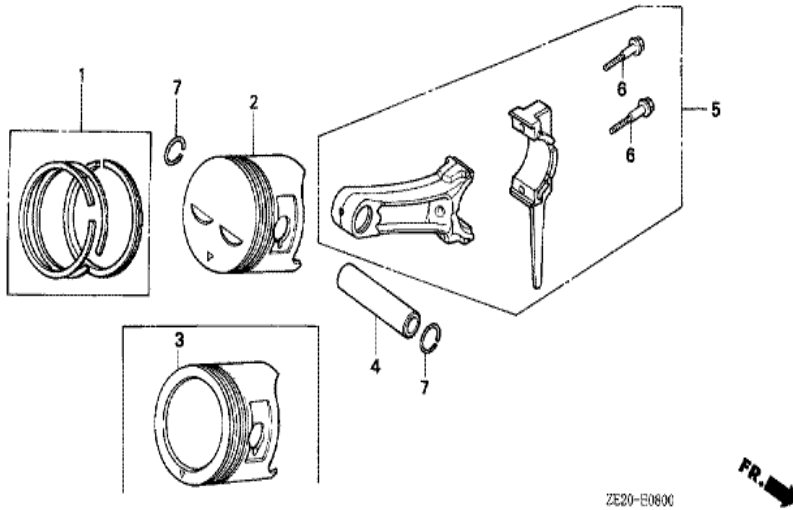
| Ref | Partnumber | Description | GX240 | Serial Numbers |
|-----|---------------|---------------------------------------|-------|----------------|
| 001 | 120A0-ZE2-862 | BARREL ASSY., CYLINDER (SELF-STARTER) | (1) | 1487105 |
| 001 | 120A0-ZE2-863 | BARREL ASSY., CYLINDER (SELF-STARTER) | (1) | 1487106 |
| 003 | 16541-ZE2-000 | SHAFT, GOVERNOR ARM | 1 | |
| 006 | 90131-883-000 | BOLT, DRAIN PLUG, 12X15 | 2 | |
| 007 | 90446-KE1-000 | WASHER, 8.2X17X0.8 | 1 | |
| 008 | 90601-ZE2-000 | WASHER, DRAIN PLUG, 12MM | 2 | 1518601 |
| 008 | 94109-12000 | WASHER, DRAIN PLUG, 12MM | 2 | 1518602 |
| 009 | 90801-ZE2-003 | PLUG, SEALING (RUBBER 10MM) | 1 | |
| 010 | 91201-890-003 | OIL SEAL, 30X46X8 | (1) | |
| 011 | 91203-952-771 | OIL SEAL, 8X14X5 | 1 | |
| 014 | 94251-08000 | PIN, LOCK, 8MM | 1 | |



| <u>Ref</u> | <u>Partnumber</u> | <u>Description</u> | <u>GX240</u> | <u>Serial Numbers</u> |
|------------|-------------------|----------------------------|--------------|-----------------------|
| 002 | 11381-ZE2-000 | PACKING, CASE COVER | 1 | |
| 003 | 11300-ZE2-610 | COVER ASSY., CRANKCASE | 1 | |
| 004 | 15600-735-700 | CAP ASSY., OIL FILLER | (1) | |
| 005 | 15621-896-010 | PACKING, OIL FILLER CAP | 1 | |
| 006 | 15625-ZE1-000 | PACKING, OIL FILLER CAP | (1) | |
| 007 | 16510-ZE2-000 | GOVERNOR ASSY. | 1 | |
| 008 | 16511-ZE2-000 | WEIGHT, GOVERNOR | 2 | |
| 009 | 16512-ZE2-000 | HOLDER, GOVERNOR WEIGHT | 1 | |
| 010 | 16513-ZE2-000 | PIN, GOVERNOR WEIGHT | 2 | |
| 011 | 16531-Z0A-000 | SLIDER, GOVERNOR | 1 | |
| 012 | 15620-ZG4-910 | CAP, OIL FILLER | 1 | 1528044 |
| 012 | 25611-735-000 | CAP, OIL HOLE | 1 | 1528043 |
| 013 | 90473-147-000 | WASHER, 6X16 | 1 | |
| <u>Ref</u> | <u>Partnumber</u> | <u>Description</u> | <u>GX240</u> | <u>Serial Numbers</u> |
| 014 | 90602-896-000 | CLIP, GOVERNOR HOLDER | 1 | 1287216 |
| 014 | 90602-ZE1-000 | CLIP, GOVERNOR HOLDER | 1 | 1287217 |
| 015 | 94101-06800 | WASHER, PLAIN, 6MM | 1 | |
| 016 | 90701-HC4-000 | DOWEL PIN, 8X12 | 2 | 1342866 |
| 016 | 94301-08120 | PIN A, DOWEL, 8X12 | 2 | 1238478 1342865 |
| 017 | 95900-0803500 | BOLT, FLANGE, 8X35 | 7 | |
| 019 | 96100-6204000 | BEARING, RADIAL BALL, 6204 | 1 | |
| 020 | 96100-6206000 | BEARING, RADIAL BALL, 6206 | 1 | |



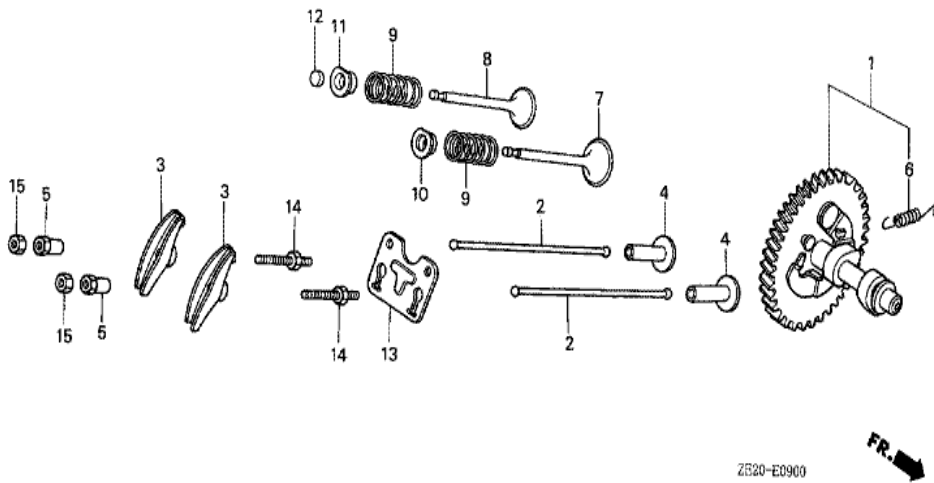
| Ref | Partnumber | Description | GX240 | Serial Numbers |
|-----|---------------|----------------------------|-------|----------------|
| 003 | 13310-ZE2-610 | CRANKSHAFT COMP. | 1 | 1494214 |
| 003 | 13310-ZE2-611 | CRANKSHAFT COMP. | 1 | 1494215 |
| 012 | 96100-6206000 | BEARING, RADIAL BALL, 6206 | 1 | |



ZE20-E0600

FR. →

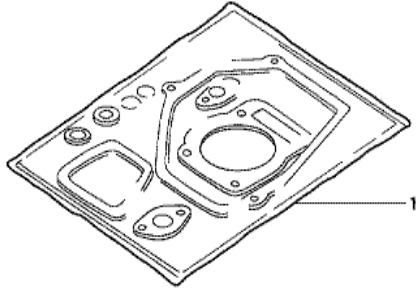
| <u>Ref</u> | <u>Partnumber</u> | <u>Description</u> | <u>GX240</u> | <u>Serial Numbers</u> |
|------------|-------------------|---|--------------|-----------------------|
| 001 | 13010-ZE2-003 | RING SET, PISTON (STD.) (NIPPON) | 1 | 1281053 |
| 001 | 13010-ZE2-004 | RING SET, PISTON (STD.) (TEIKOKU) | 1 | 1281053 |
| 001 | 13010-ZE2-013 | RING SET, PISTON (STD.) (NIPPON) | 1 | 1242765 |
| 001 | 13010-ZE2-014 | RING SET, PISTON (STD.) (TEIKOKU) | 1 | 1281054 |
| 001 | 13011-ZE2-003 | RING SET, PISTON (0.25) (NIPPON) | (1) | 1281053 |
| 001 | 13011-ZE2-004 | RING SET, PISTON (0.25) (TEIKOKU) | (1) | 1281053 |
| 001 | 13011-ZE2-013 | RING SET, PISTON (0.25) (NIPPON) | (1) | |
| 001 | 13011-ZE2-014 | RING SET, PISTON (0.25) (TEIKOKU) | (1) | 1281054 |
| 001 | 13012-ZE2-003 | RING SET, PISTON (0.50) (NIPPON) | (1) | 1281053 |
| 001 | 13012-ZE2-004 | RING SET, PISTON (0.50) (TEIKOKU) | (1) | 1281053 |
| 001 | 13012-ZE2-013 | RING SET, PISTON (0.50) (NIPPON) | (1) | 1281054 |
| 001 | 13012-ZE2-014 | RING SET, PISTON (0.50) (TEIKOKU) | (1) | 1281054 |
| 001 | 13013-ZE2-003 | RING SET, PISTON (0.75) (NIPPON) | (1) | 1242764 |
| <u>Ref</u> | <u>Partnumber</u> | <u>Description</u> | <u>GX240</u> | <u>Serial Numbers</u> |
| 001 | 13013-ZE2-004 | RING SET, PISTON (0.75) (TEIKOKU) | (1) | 1281053 |
| 001 | 13013-ZE2-013 | RING SET, PISTON (0.75) (NIPPON) | (1) | 1281054 |
| 001 | 13013-ZE2-014 | RING SET, PISTON (0.75) (TEIKOKU) | (1) | 1281054 |
| 002 | 13101-ZE2-000 | PISTON (STD.) | 1 | 1263002 |
| 002 | 13101-ZE2-010 | PISTON (STD.) | 1 | 1263003 |
| 002 | 13102-ZE2-000 | PISTON (0.25) | (1) | 1263002 |
| 002 | 13102-ZE2-010 | PISTON (0.25) | (1) | 1263003 |
| 002 | 13103-ZE2-000 | PISTON (0.50) | (1) | 1263002 |
| 002 | 13103-ZE2-010 | PISTON (0.50) | (1) | 1263003 |
| 002 | 13104-ZE2-000 | PISTON (0.75) | (1) | 1263002 |
| 002 | 13104-ZE2-010 | PISTON (0.75) | (1) | 1263003 |
| 004 | 13111-ZE2-000 | PIN, PISTON | 1 | |
| 005 | 13200-ZE2-000 | ROD ASSY., CONNECTING (STD.) | 1 | |
| 005 | 13200-ZE2-305 | ROD ASSY., CONNECTING (0.25 UNDER SIZE) | (1) | |
| 006 | 90001-ZE8-000 | BOLT, CONNECTING ROD | 2 | |
| 007 | 90551-ZE1-000 | CLIP, PISTON PIN, 18MM | 2 | |



ZE20-E0900



| <u>Ref</u> | <u>Partnumber</u> | <u>Description</u> | <u>GX240</u> | <u>Serial Numbers</u> |
|------------|-------------------|----------------------------|--------------|-----------------------|
| 001 | 14100-ZE2-010 | CAMSHAFT ASSY. | 1 | 1494214 |
| 001 | 14100-ZE2-020 | CAMSHAFT ASSY. | 1 | 1494215 |
| 002 | 14410-ZE2-013 | ROD, PUSH | 2 | |
| 003 | 14431-ZE2-000 | ARM, VALVE ROCKER | 2 | |
| 004 | 14441-ZE2-000 | LIFTER, VALVE | 2 | |
| 005 | 14451-ZE1-003 | PIVOT, ROCKER ARM | 2 | |
| 006 | 14568-ZE1-000 | SPRING, WEIGHT RETURN | 1 | |
| 007 | 14711-ZE2-000 | VALVE, IN. | 1 | |
| 008 | 14721-ZE2-000 | VALVE, EX. | (1) | |
| 009 | 14751-ZE2-003 | SPRING, VALVE | 2 | |
| 010 | 14771-ZE2-000 | RETAINER, IN. VALVE SPRING | 1 | |
| 011 | 14773-ZE2-000 | RETAINER, EX. VALVE SPRING | 1 | |
| 012 | 14781-ZE2-000 | ROTATOR, VALVE | 1 | |
| <u>Ref</u> | <u>Partnumber</u> | <u>Description</u> | <u>GX240</u> | <u>Serial Numbers</u> |
| 013 | 14791-ZE2-000 | PLATE, PUSH ROD GUIDE | 1 | 1494214 |
| 013 | 14791-ZE2-010 | GUIDE, PUSH ROD | 1 | 1494215 |
| 014 | 90012-ZE0-010 | BOLT, PIVOT, 8MM | 2 | |
| 015 | 90206-ZE1-000 | NUT, PIVOT ADJUSTING | 2 | |



HENG-X0003

| <u>Ref</u> | <u>Partnumber</u> | <u>Description</u> | <u>GX240</u> | <u>Serial Numbers</u> |
|------------|-------------------|--------------------|--------------|-----------------------|
| 001 | 061A1-ZE2-000 | GASKET KIT | 1 | 1086328 |
| 001 | 061A1-ZE2-020 | GASKET KIT | 1 | 1072860 |