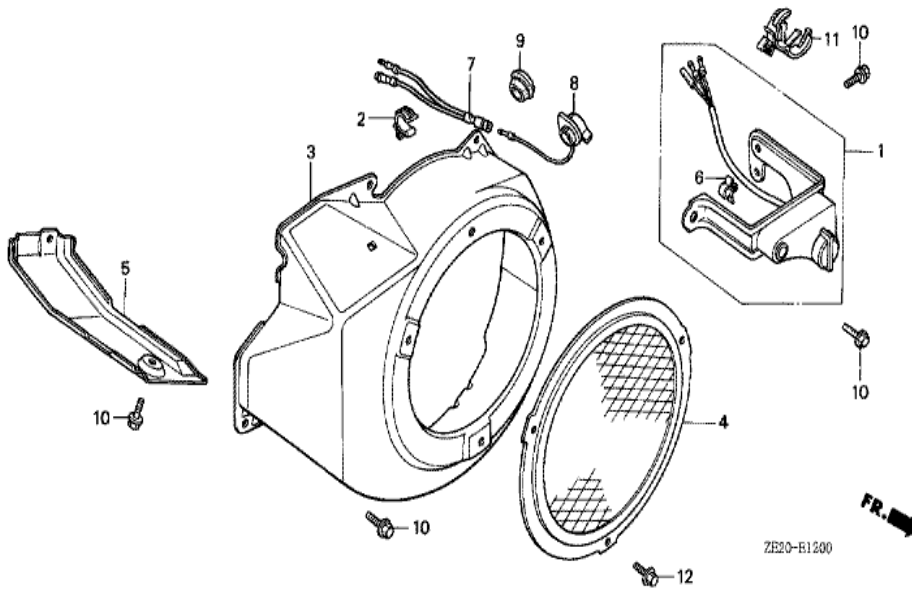
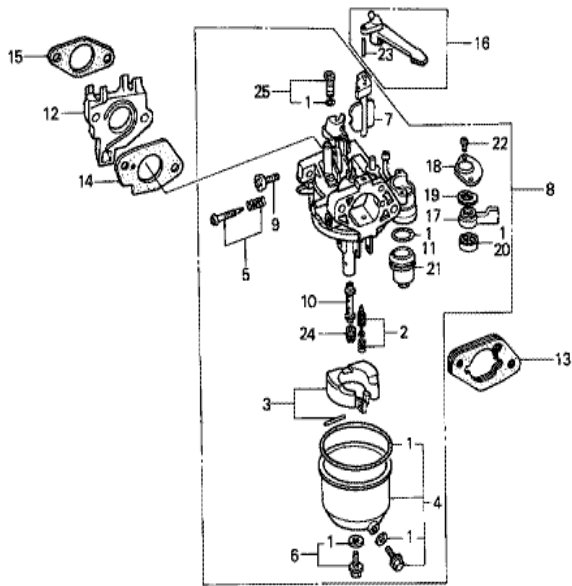


| <u>Ref</u> | <u>Partnumber</u> | <u>Description</u>                     | <u>GX240</u> | <u>Serial Numbers</u> |
|------------|-------------------|--|--------------|-----------------------|
| 001        | 28400-ZE2-003ZA   | STARTER ASSY., RECOIL *R8 *            | (1)          |                       |
| 002        | 28410-ZE2-003ZA   | CASE COMP., RECOIL STARTER *R8 *       | (1)          |                       |
| 003        | 28420-889-631     | REEL COMP., STARTER                    | (1)          |                       |
| 004        | 28422-ZE1-711     | RATCHET, STARTER                       | (1)          |                       |
| 005        | 28423-ZE1-711     | SHAFT, RATCHET                         | (1)          |                       |
| 006        | 28424-ZE1-711     | PLATE, GUIDE                           | (1)          |                       |
| 007        | 28431-ZE1-711     | PLATE A, FRICTION                      | (1)          |                       |
| 008        | 28432-ZG0-003     | PLATE B, FRICTION                      | (1)          |                       |
| 009        | 28434-ZE1-711     | COVER, STARTER REEL                    | (1)          |                       |
| 010        | 28441-ZE1-711     | SPRING, FRICTION (D=18.5MM / L=20.5MM) | (1)          |                       |
| 011        | 28442-ZE1-711     | SPRING, RETURN                         | (1)          |                       |
| 012        | 28461-889-631     | GRIP, STARTER                          | (1)          |                       |
| 013        | 28462-ZE2-003     | ROPE, STARTER                          | (1)          |                       |
| <u>Ref</u> | <u>Partnumber</u> | <u>Description</u>                     | <u>GX240</u> | <u>Serial Numbers</u> |
| 014        | 90003-ZG0-003     | BOLT, REEL COVER                       | (1)          |                       |
| 015        | 90011-ZG0-000     | BOLT, FLANGE, 6X8                      | 3            |                       |



| Ref | Partnumber      | Description                | GX240 | Serial Numbers |
|-----|-----------------|----------------------------|-------|----------------|
| 002 | 16731-ZE2-003   | CLIP, TUBE                 | 1     |                |
| 003 | 19610-ZE2-000ZA | COVER COMP., FAN *R8 *     | (1)   |                |
| 005 | 19631-ZE2-000   | SHROUD                     | 1     | 1014289        |
| 005 | 19631-ZE2-010   | SHROUD                     | 1     | 1014290        |
| 008 | 36100-ZE1-005   | SWITCH ASSY., ENGINE STOP  | (1)   |                |
| 010 | 90013-883-000   | BOLT, FLANGE, 6X12 (CT200) | (N)   |                |

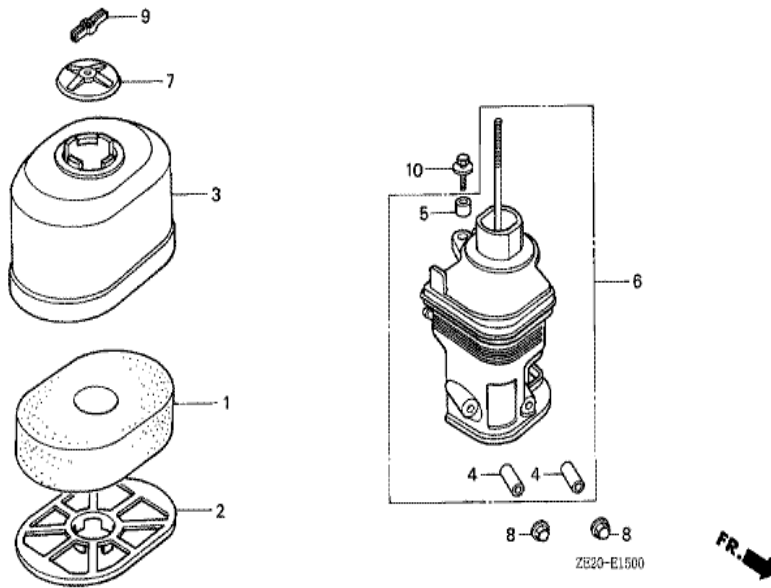


ZE20-E1401

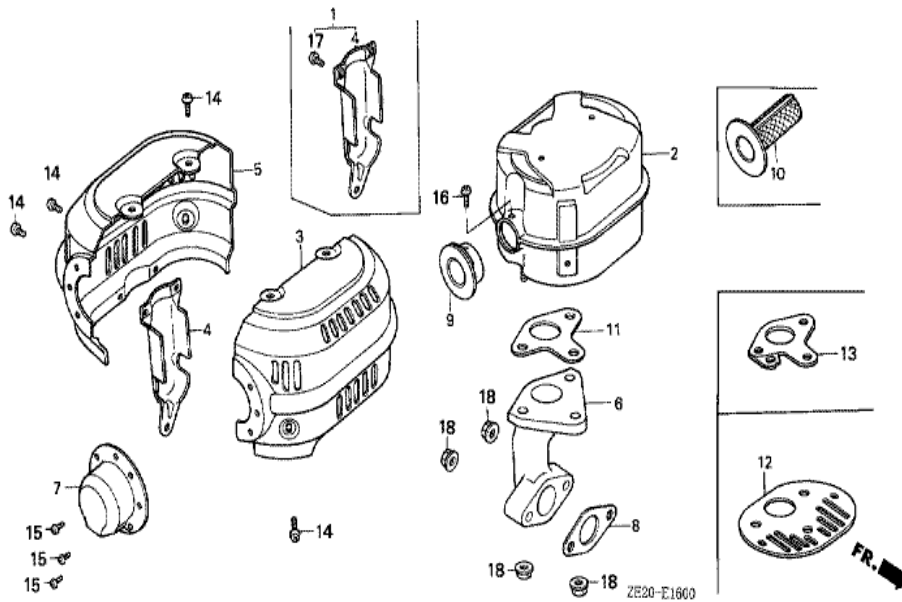


| Ref | Partnumber    | Description                | GX240 | Serial Numbers |
|-----|---------------|----------------------------|-------|----------------|
| 001 | 16010-ZE2-811 | GASKET SET                 | (1)   | BE15B D        |
| 001 | 16010-ZE2-812 | GASKET SET                 | 1     | BE15B E        |
| 002 | 16011-ZA0-931 | VALVE SET, FLOAT           | (1)   |                |
| 003 | 16013-ZA0-931 | FLOAT SET                  | (1)   |                |
| 004 | 16015-ZE2-005 | CHAMBER SET, FLOAT         | (1)   |                |
| 005 | 16016-ZA0-931 | SCREW SET, PILOT           | (1)   |                |
| 006 | 16028-ZE0-005 | SCREW SET                  | (1)   |                |
| 007 | 16044-ZE2-005 | CHOKE SET                  | (1)   |                |
| 008 | 16100-ZE2-811 | CARBURETOR ASSY. (BE15B B) | (1)   | 1062262        |
| 008 | 16100-ZE2-813 | CARBURETOR ASSY. (BE15B D) | 1     | 1062263        |
| 008 | 16100-ZE2-814 | CARBURETOR ASSY. (BE15B E) | (1)   |                |
| 009 | 16124-ZE0-005 | SCREW, THROTTLE STOP       | (1)   |                |
| 010 | 16166-ZE2-015 | NOZZLE, MAIN               | (1)   |                |

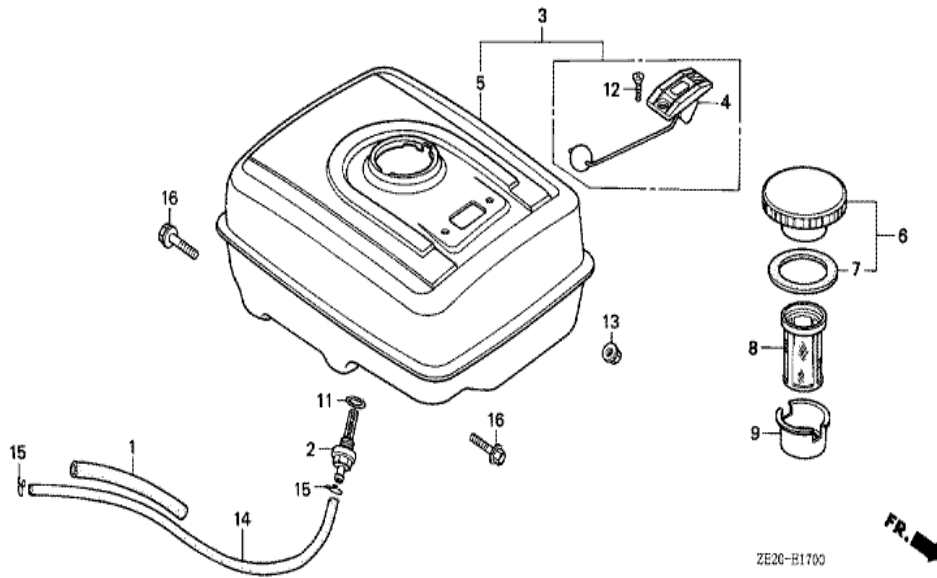
| <u>Ref</u> | <u>Partnumber</u> | <u>Description</u>         | <u>GX240</u> | <u>Serial Numbers</u> |         |
|------------|-------------------|----------------------------|--------------|-----------------------|---------|
| 011        | 16173-001-004     | PACKING, FUEL STRAINER CUP | (1)          |                       |         |
| 012        | 16211-ZE2-000     | INSULATOR, CARBURETOR      | 1            |                       |         |
| 013        | 16220-ZA0-700     | SPACER COMP., CARBURETOR   | 1            |                       | 1095731 |
| 013        | 16220-ZA0-701     | SPACER COMP., CARBURETOR   | (1)          | BE15B D               | BE15B D |
| 013        | 16220-ZA0-702     | SPACER COMP., CARBURETOR   | 1            | 1160854               |         |
| 013        | 16220-ZE2-000     | SPACER COMP., CARBURETOR   | 1            |                       |         |
| 014        | 16221-ZA0-700     | PACKING, CARBURETOR        | 1            |                       |         |
| 015        | 16223-ZA0-700     | PACKING, INSULATOR         | 1            |                       | BE15B D |
| 016        | 16610-ZE1-000     | LEVER COMP., CHOKE (STD.)  | 1            |                       |         |
| 017        | 16953-ZE1-811     | LEVER, COCK                | (1)          |                       |         |
| 018        | 16954-ZE1-811     | PLATE, LEVER SETTING       | (1)          |                       |         |
| 019        | 16956-ZE1-811     | SPRING, COCK LEVER         | (1)          |                       |         |
| 020        | 16957-ZE1-811     | PACKING, FUEL COCK         | (1)          |                       | BE15B D |
| 020        | 16957-ZE1-812     | PACKING, FUEL COCK         | 1            |                       |         |
| 021        | 16967-ZE0-811     | CUP, FUEL STRAINER         | (1)          |                       |         |
| 022        | 93500-030081G     | SCREW, PAN, 3X8            | 2            | BE15B E               |         |
| 022        | 93500-030081H     | SCREW, PAN, 3X8            | (2)          |                       | BE15B D |
| 023        | 94305-20122       | PIN, SPRING, 2X12          | 1            |                       |         |
| 024        | 99101-1240820     | JET, MAIN, #82             | (1)          |                       |         |
| 024        | 99101-1240850     | JET, MAIN, #85             | (1)          | BE15B D               |         |
| 024        | 99101-1240880     | JET, MAIN, #88             | (1)          |                       |         |
| 025        | 99204-ZE20380     | JET SET, PILOT, #38        | (1)          |                       |         |



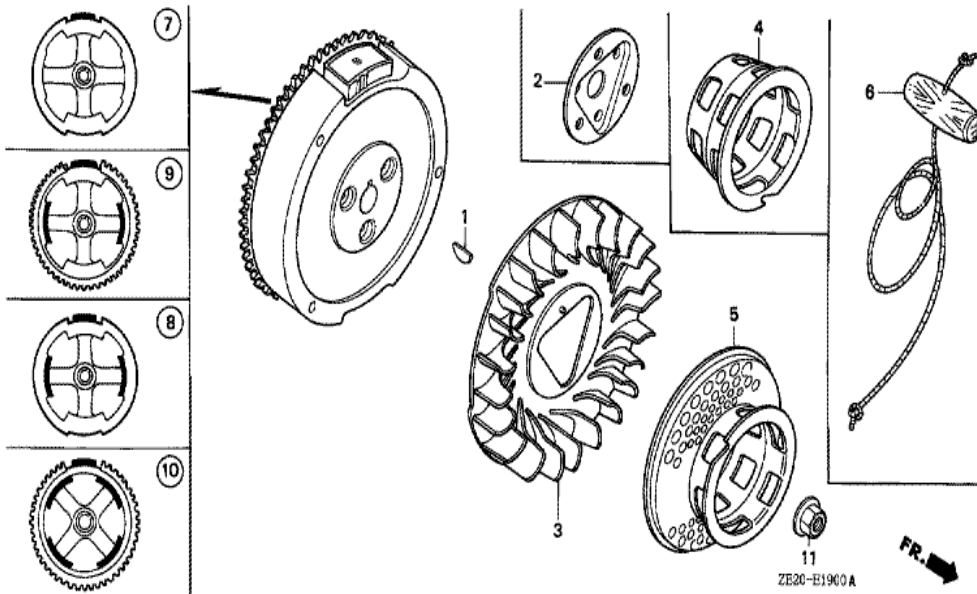
| Ref | Partnumber    | Description                            | GX240 | Serial Numbers  |
|-----|---------------|--|-------|-----------------|
| 001 | 17211-ZE2-000 | ELEMENT, AIR CLEANER (SEMI DRY)        | (1)   |                 |
| 002 | 17212-ZE2-000 | GRID, AIR CLEANER                      | (1)   |                 |
| 003 | 17231-ZE2-000 | COVER, AIR CLEANER (SEMI DRY)          | (1)   |                 |
| 004 | 17238-ZE2-300 | COLLAR, AIR CLEANER                    | (2)   | 1095731         |
| 004 | 17238-ZE2-310 | COLLAR, AIR CLEANER                    | 2     | 1095732         |
| 005 | 17239-ZE1-000 | COLLAR B, AIR CLEANER                  | (1)   |                 |
| 006 | 17410-ZE2-000 | ELBOW COMP., AIR CLEANER               | (1)   | 1014240         |
| 006 | 17410-ZE2-010 | ELBOW COMP., AIR CLEANER               | (1)   | 1014241 1095731 |
| 006 | 17410-ZE2-020 | ELBOW COMP., AIR CLEANER               | 1     | 1095732         |
| 007 | 17420-ZE2-000 | CAP COMP., AIR CLEANER                 | (1)   |                 |
| 008 | 90201-415-000 | NUT, CAP, 6MM                          | (2)   |                 |
| 009 | 90203-PB2-000 | NUT, AIR CLEANER COVER (DACRO COATING) | 1     |                 |
| 010 | 93494-0602008 | BOLT-WASHER, 6X20                      | (1)   |                 |



| <u>Ref</u> | <u>Partnumber</u> | <u>Description</u>                | <u>GX240</u> | <u>Serial Numbers</u> |
|------------|-------------------|-----------------------------------|--------------|-----------------------|
| 001        | 04101-ZE2-000     | PROTECTOR, EX. PIPE               | (1)          | 1034877               |
| 002        | 18310-ZE2-003     | MUFFLER COMP.                     | (1)          | 1119013               |
| 002        | 18310-ZE2-013     | MUFFLER COMP.                     | 1            | 1119014               |
| 003        | 18320-ZE2-003     | PROTECTOR, R. MUFFLER             | (1)          |                       |
| 004        | 18323-ZE2-810     | PROTECTOR, EX. PIPE               | (1)          | 1034877               |
| 004        | 18323-ZE2-811     | PROTECTOR, EX. PIPE               | 1            | 1034878               |
| 005        | 18325-ZE2-003     | PROTECTOR, L. MUFFLER             | (1)          |                       |
| 006        | 18330-ZE2-000     | PIPE, EX.                         | 1            |                       |
| 008        | 18333-ZE2-000     | GASKET, EX. PIPE                  | 1            | 1072859               |
| 008        | 18333-ZE3-000     | GASKET, EX. PIPE                  | 1            | 1072860               |
| 012        | 18381-ZE2-810     | GASKET, MUFFLER (UNDER PROTECTOR) | (1)          | 3146605               |
| 014        | 90050-ZE1-000     | SCREW, TAPPING, 5X8               | (6)          |                       |
| 017        | 93500-050080B     | SCREW, PAN, 5X8                   | (2)          | 1035115               |
| <u>Ref</u> | <u>Partnumber</u> | <u>Description</u>                | <u>GX240</u> | <u>Serial Numbers</u> |
| 018        | 94050-08000       | NUT, FLANGE, 8MM                  | 2            |                       |

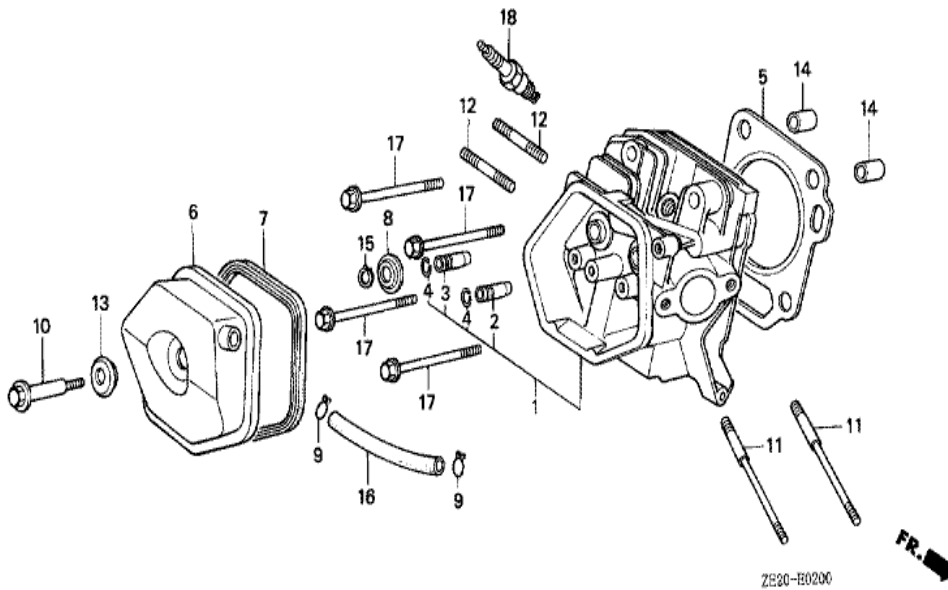


| <u>Ref</u> | <u>Partnumber</u> | <u>Description</u>                    | <u>GX240</u> | <u>Serial Numbers</u> |
|------------|-------------------|---------------------------------------|--------------|-----------------------|
| 001        | 16854-ZE1-000     | RUBBER, SUPPORTER (107MM)             | 1            | 1523056               |
| 001        | 16854-ZH8-000     | RUBBER, SUPPORTER (107MM)             | 1            | 1523057               |
| 002        | 16955-ZE1-000     | JOINT, FUEL TANK                      | 1            |                       |
| 005        | 17510-ZE2-000ZA   | TANK COMP., FUEL *NH31 *              | (1)          | 1487905               |
| 005        | 17510-ZE2-010ZA   | TANK COMP., FUEL *NH31 *              | (1)          | 1487906               |
| 006        | 17620-890-000     | CAP COMP., FUEL FILLER                | 1            |                       |
| 006        | 17620-890-010     | CAP COMP., FUEL FILLER                | (1)          |                       |
| 007        | 17631-329-003     | PACKING, FUEL FILLER CAP (39X58X3)    | (1)          |                       |
| 008        | 17672-880-000     | FILTER, FUEL                          | (1)          |                       |
| 009        | 17673-893-000     | HOLDER, FUEL FILTER                   | (1)          |                       |
| 011        | 91353-671-004     | O-RING, 14MM (NOK)                    | (1)          |                       |
| 013        | 94050-08000       | NUT, FLANGE, 8MM                      | 2            |                       |
| 014        | 95001-4522240     | TUBE, FUEL, 4.5X222 (95001-45001-60M) | (1)          |                       |
| <u>Ref</u> | <u>Partnumber</u> | <u>Description</u>                    | <u>GX240</u> | <u>Serial Numbers</u> |
| 015        | 95002-02080       | CLIP, TUBE (B8)                       | 2            |                       |
| 016        | 95900-0802500     | BOLT, FLANGE, 8X25                    | 2            |                       |

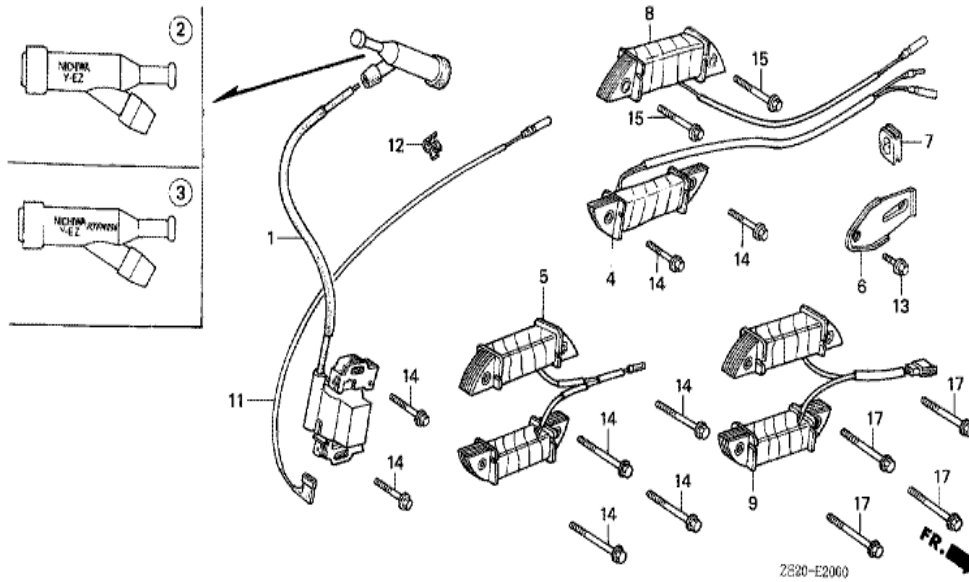


| Ref | Partnumber    | Description                  | GX240 | Serial Numbers |
|-----|---------------|------------------------------|-------|----------------|
| 001 | 13331-357-000 | KEY, SPECIAL WOODRUFF, 25X18 | 1     |                |
| 003 | 19511-ZE2-000 | FAN, COOLING                 | 1     |                |
| 004 | 28451-ZE2-003 | PULLEY, STARTER              | (1)   |                |
| 007 | 31100-ZE2-000 | FLYWHEEL COMP.               | (1)   |                |
| 011 | 90201-ZE3-790 | NUT, SPECIAL, 16MM           | 1     |                |

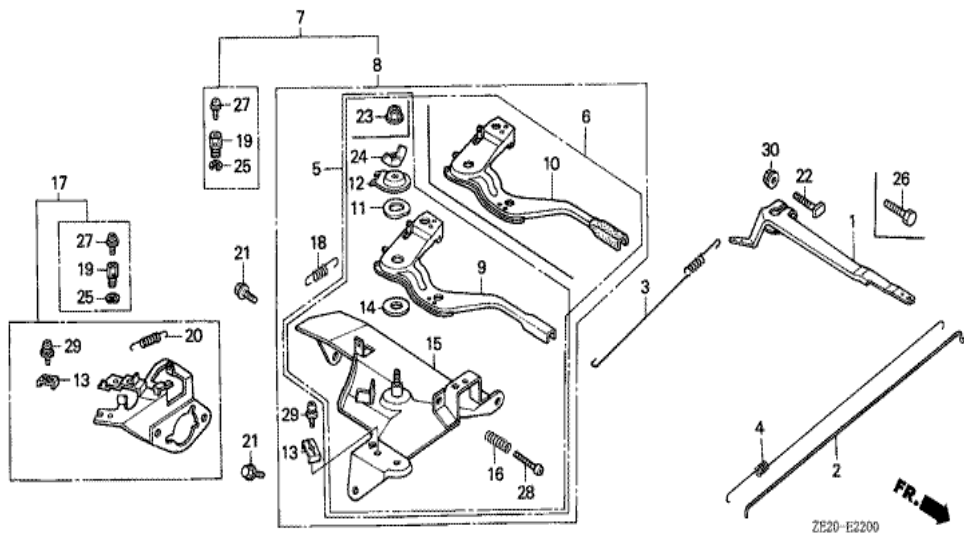




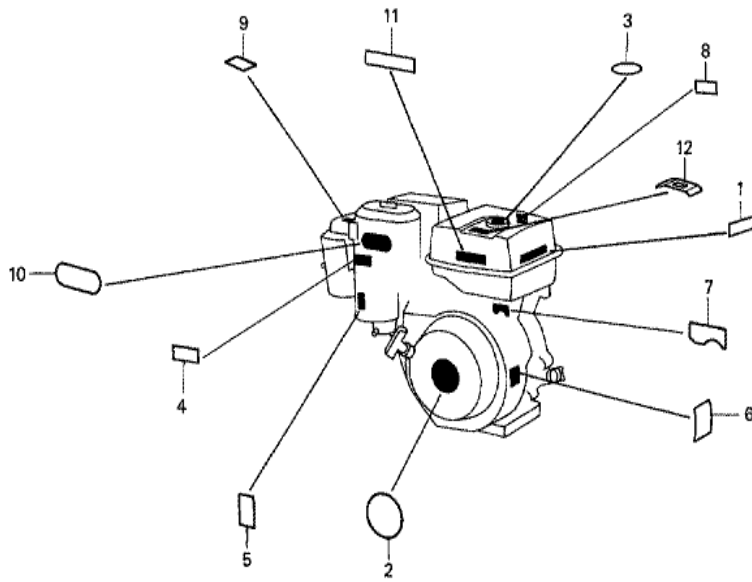
| <u>Ref</u> | <u>Partnumber</u> | <u>Description</u>             | <u>GX240</u> | <u>Serial Numbers</u> |
|------------|-------------------|--------------------------------|--------------|-----------------------|
| 001        | 122A0-ZE2-000     | HEAD COMP., CYLINDER           | 1            | 1000440               |
| 001        | 122A0-ZE2-010     | HEAD COMP., CYLINDER           | 1            | 1000441 1003216       |
| 001        | 122A0-ZE2-020     | HEAD COMP., CYLINDER           | 1            | 1003217 1014289       |
| 001        | 122A0-ZE2-030     | HEAD COMP., CYLINDER           | 1            |                       |
| 002        | 12204-ZE2-305     | GUIDE, IN. VALVE (O.S.)        | (1)          | 1000440               |
| 002        | 12204-ZE2-315     | GUIDE, IN. VALVE (OS)          | (1)          | 1000441               |
| 003        | 12205-ZE2-305     | GUIDE, EX. VALVE (OS)          | (1)          |                       |
| 004        | 12216-ZE2-300     | CLIP, VALVE GUIDE              | 2            |                       |
| 005        | 12251-ZE2-000     | GASKET, CYLINDER HEAD          | 1            |                       |
| 006        | 12310-ZE2-000     | COVER COMP., HEAD              | 1            | 1014289               |
| 006        | 12310-ZE2-010     | COVER COMP., HEAD              | 1            | 1014290               |
| 007        | 12391-ZE2-000     | PACKING, HEAD COVER            | 1            | 1086328               |
| 007        | 12391-ZE2-010     | PACKING, HEAD COVER            | 1            | 1086329               |
| <u>Ref</u> | <u>Partnumber</u> | <u>Description</u>             | <u>GX240</u> | <u>Serial Numbers</u> |
| 008        | 14775-ZE2-010     | SEAT, VALVE SPRING             | 1            |                       |
| 010        | 90014-ZE2-000     | BOLT, HEAD COVER               | 1            |                       |
| 011        | 90042-ZE2-000     | BOLT, STUD, 8X123              | 2            |                       |
| 012        | 90047-ZE2-000     | BOLT, STUD, 8X47               | 2            |                       |
| 013        | 90441-ZE2-000     | WASHER COMP., HEAD COVER       | 1            | 1069849               |
| 013        | 90441-ZE2-010     | WASHER COMP., HEAD COVER       | 1            | 1069850               |
| 014        | 94301-12200       | DOWEL PIN, 12X20               | 2            |                       |
| 015        | 94510-11000       | CIRCLIP, EXTERNAL, 11MM        | 1            |                       |
| 016        | 95005-1110530     | TUBE, 11X105 (95005-11001-30M) | 1            | 1014290               |
| 016        | 95005-8010030     | TUBE, 8X100 (95005-80001-30M)  | 1            | 1014289               |
| 017        | 95725-1008000     | BOLT, FLANGE, 10X80            | 4            |                       |
| 018        | 98079-55854       | PLUG, SPARK (W16EP-U) (DENSO)  | (1)          |                       |
| 018        | 98079-56841       | PLUG, SPARK (BP6ES) (NGK)      | (1)          |                       |
| 018        | 98079-56854       | PLUG, SPARK (W20EP-U) (DENSO)  | (1)          |                       |



| Ref | Partnumber    | Description                               | GX240 | Serial Numbers |
|-----|---------------|---|-------|----------------|
| 001 | 30500-ZE2-003 | COIL ASSY., IGNITION                      | (1)   | 1512433        |
| 001 | 30500-ZE2-013 | COIL ASSY., IGNITION                      | 1     | 1512434        |
| 002 | 30600-ZE1-013 | TERMINAL ASSY., HIGH TENSION (NICHIIWA Y- | (1)   |                |
|     |               | GROMMET, CORD                             | 1     |                |
| 011 | 36101-ZE1-010 | CORD, STOP SWITCH (370MM)                 | 1     | 1512434        |
| 011 | 36101-ZE2-000 | CORD, STOP SWITCH                         | (1)   | 1512433        |
| 012 | 36103-ZE1-000 | HOLDER, STOP SWITCH CORD                  | 2     | 1487105        |

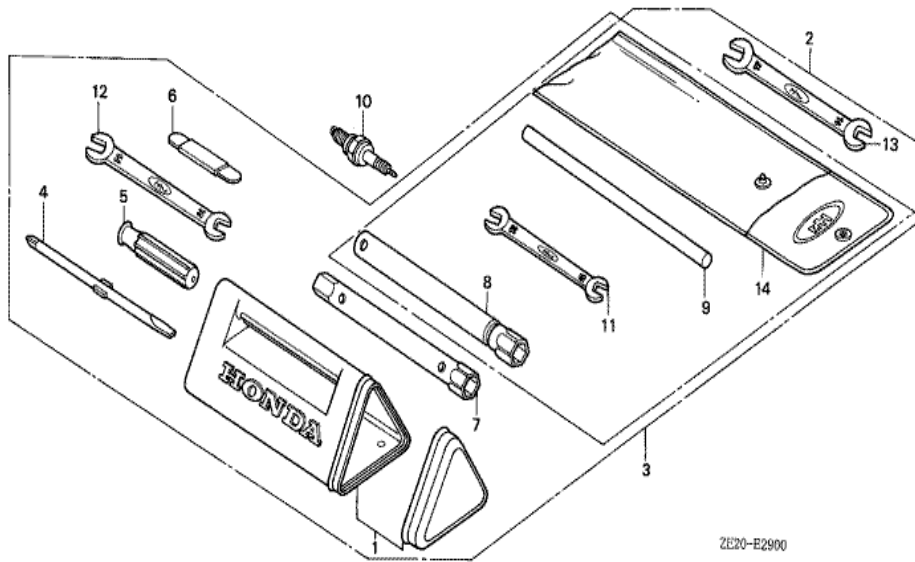


| Ref        | Partnumber        | Description                              | GX240        | Serial Numbers        |
|------------|-------------------|--|--------------|-----------------------|
| 001        | 16551-ZE2-000     | ARM, GOVERNOR                            | 1            |                       |
| 002        | 16555-ZE2-000     | ROD, GOVERNOR                            | 1            |                       |
| 003        | 16561-ZE2-000     | SPRING, GOVERNOR (L=145.0MM) (WIRE DIAME | 1            |                       |
| 004        | 16562-ZE2-000     | SPRING, THROTTLE RETURN                  | 1            |                       |
| 007        | 16570-ZE2-811     | CONTROL ASSY. (REMOTE)                   | 1            | 1519063               |
| 009        | 16571-ZE2-000     | LEVER, CONTROL                           | (1)          | 1519063               |
| 009        | 16571-ZE2-W00     | LEVER, CONTROL                           | (1)          | 1519064               |
| 011        | 16574-ZE1-000     | SPRING, LEVER                            | (1)          |                       |
| 012        | 16575-ZE2-000     | WASHER, CONTROL LEVER                    | (1)          | 1519063               |
| 012        | 16575-ZE2-W00     | WASHER, CONTROL LEVER                    | (1)          | 1519064               |
| 013        | 16576-891-000     | HOLDER, CABLE                            | (1)          |                       |
| 014        | 16578-ZE1-000     | SPACER, CONTROL LEVER                    | (1)          |                       |
| 015        | 16581-ZE2-000     | BASE COMP., CONTROL                      | (1)          |                       |
| <u>Ref</u> | <u>Partnumber</u> | <u>Description</u>                       | <u>GX240</u> | <u>Serial Numbers</u> |
| 015        | 16581-ZE2-010     | BASE COMP., CONTROL                      | (1)          | 1519063               |
| 015        | 16581-ZE2-W00     | BASE COMP., CONTROL (###)                | (1)          | 1519064               |
| 016        | 16584-883-300     | SPRING, CONTROL ADJUSTING                | (1)          |                       |
| 018        | 16592-883-310     | SPRING, CABLE RETURN                     | (1)          |                       |
| 019        | 16594-883-000     | HOLDER, WIRE                             | 1            | 1159698               |
| 019        | 16594-883-010     | HOLDER, WIRE                             | 1            | 1159699               |
| 021        | 90013-883-000     | BOLT, FLANGE, 6X12 (CT200)               | 2            |                       |
| 022        | 90015-ZE5-010     | BOLT, GOVERNOR ARM                       | 1            | 1094202               |
| 023        | 90114-SA0-000     | NUT, SELF-LOCK, 6MM                      | (1)          | 1519064               |
| 024        | 90352-883-003     | NUT, WING, 6MM                           | (1)          | 1519063               |
| 025        | 90605-230-000     | CIRCLIP, 5MM                             | (1)          |                       |
| 026        | 92000-06022       | BOLT, HEX., 6X22                         | 1            | 1094201               |
| 027        | 93500-040060H     | SCREW, PAN, 4X6                          | 1            | 1159699               |
| 027        | 93500-040080A     | SCREW, PAN, 4X8                          | 1            | 1159698               |
| 028        | 93500-050280A     | SCREW, PAN, 5X28                         | (1)          |                       |
| 029        | 93893-0501600     | SCREW-WASHER, 5X16                       | (1)          | 1519063               |
| 030        | 94050-06000       | NUT, FLANGE, 6MM                         | 1            |                       |



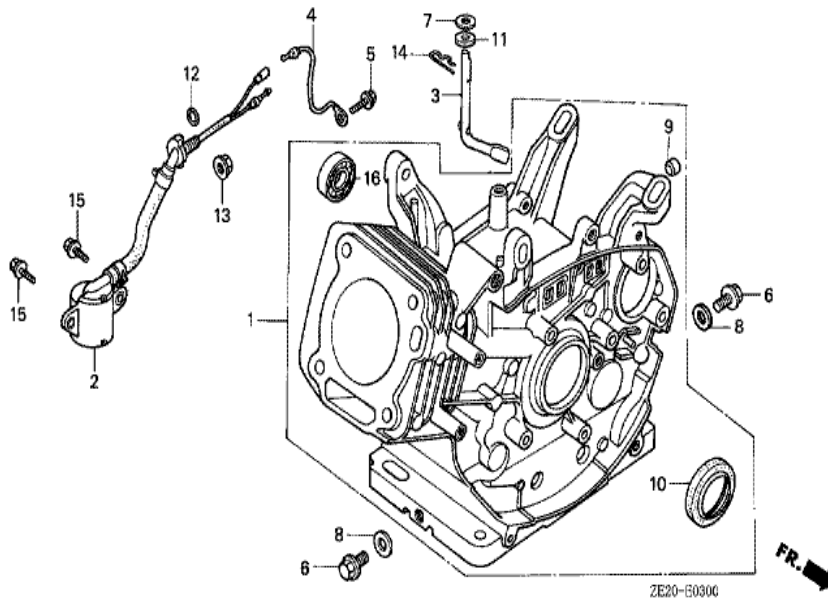
ZE20-E2800

| Ref | Partnumber    | Description            | GX240 | Serial Numbers |
|-----|---------------|------------------------|-------|----------------|
| 002 | 87521-ZE2-000 | EMBLEM                 | (1)   |                |
| 003 | 87522-ZE1-000 | MARK, CAUTION          | 1     | 1308019        |
| 003 | 87522-ZE1-010 | LABEL, FUEL WARNING    | 1     | 1308020        |
| 005 | 87528-ZE2-000 | MARK, CHOKE (INTERNAL) | (1)   |                |



ZE20-E2900

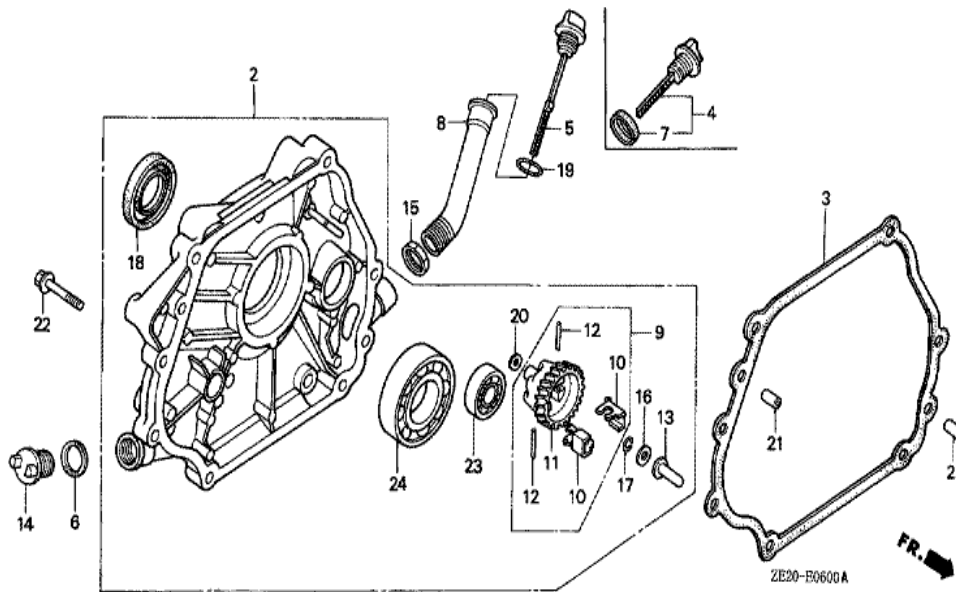
| Ref | Partnumber    | Description              | GX240 | Serial Numbers |
|-----|---------------|--------------------------|-------|----------------|
| 008 | 89218-ZE1-000 | WRENCH COMP., SPARK PLUG | 1     | 1298646        |



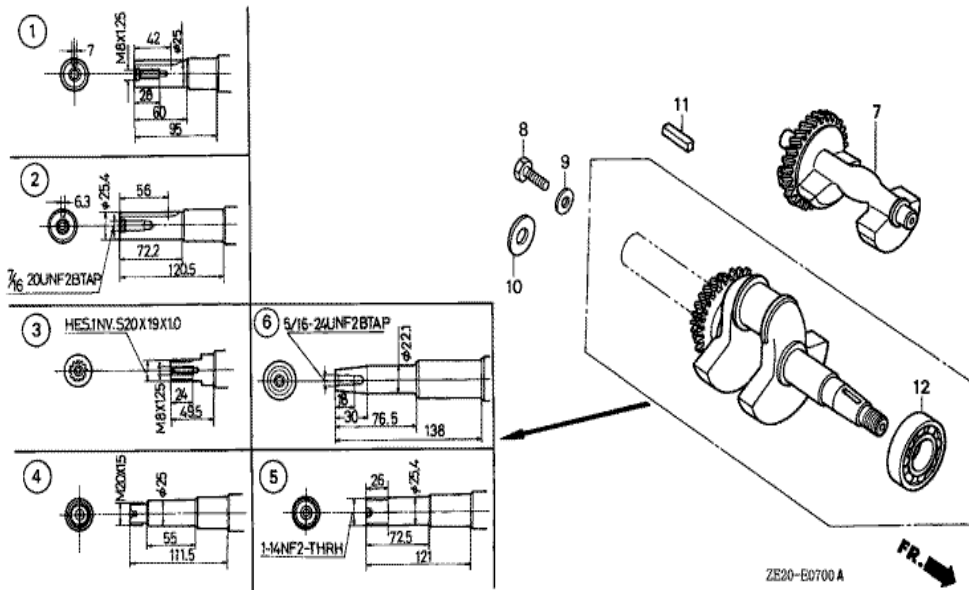
ZE20-E0300



| Ref | Partnumber    | Description                   | GX240 | Serial Numbers |
|-----|---------------|-------------------------------|-------|----------------|
| 001 | 120A0-ZE2-000 | BARREL ASSY., CYLINDER (STD.) | (1)   | 1238477        |
| 001 | 120A0-ZE2-010 | BARREL ASSY., CYLINDER (STD.) | 1     |                |
| 001 | 120A0-ZE2-020 | BARREL ASSY., CYLINDER (STD.) | (1)   | 1487105        |
| 001 | 120A0-ZE2-030 | BARREL ASSY., CYLINDER (STD.) | (1)   | 1487106        |
| 003 | 16541-ZE2-000 | SHAFT, GOVERNOR ARM           | 1     |                |
| 006 | 90131-883-000 | BOLT, DRAIN PLUG, 12X15       | 2     |                |
| 007 | 90446-KE1-000 | WASHER, 8.2X17X0.8            | 1     |                |
| 008 | 90601-ZE2-000 | WASHER, DRAIN PLUG, 12MM      | 2     | 1518601        |
| 008 | 94109-12000   | WASHER, DRAIN PLUG, 12MM      | 2     | 1518602        |
| 009 | 90801-ZE2-003 | PLUG, SEALING (RUBBER 10MM)   | 1     |                |
| 010 | 91201-890-003 | OIL SEAL, 30X46X8             | (1)   |                |
| 011 | 91203-952-771 | OIL SEAL, 8X14X5              | 1     |                |
| 014 | 94251-08000   | PIN, LOCK, 8MM                | 1     |                |

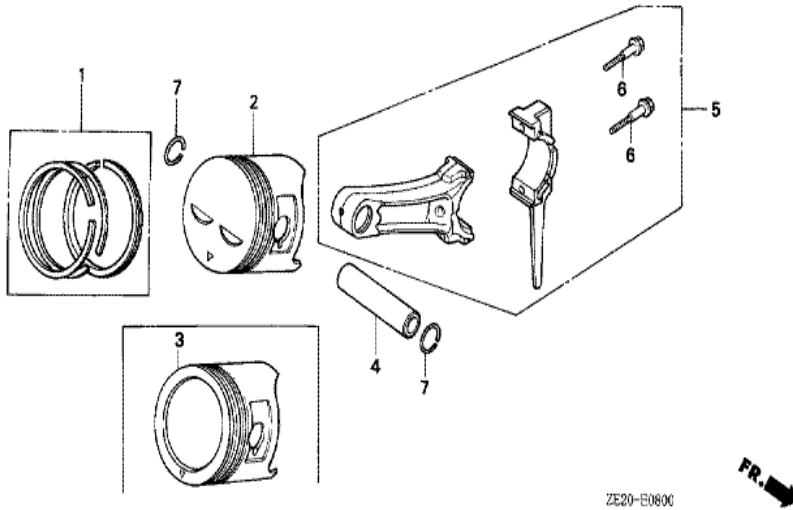


| Ref | Partnumber    | Description                | GX240 | Serial Numbers  |
|-----|---------------|----------------------------|-------|-----------------|
| 002 | 11300-ZE2-000 | COVER ASSY., CRANKCASE     | 1     |                 |
| 003 | 11381-ZE2-000 | PACKING, CASE COVER        | 1     | 3151974         |
| 004 | 15600-735-700 | CAP ASSY., OIL FILLER      | (1)   |                 |
| 006 | 15621-896-010 | PACKING, OIL FILLER CAP    | 1     |                 |
| 007 | 15625-ZE1-000 | PACKING, OIL FILLER CAP    | (1)   |                 |
| 009 | 16510-ZE2-000 | GOVERNOR ASSY.             | 1     |                 |
| 010 | 16511-ZE2-000 | WEIGHT, GOVERNOR           | 2     |                 |
| 011 | 16512-ZE2-000 | HOLDER, GOVERNOR WEIGHT    | 1     |                 |
| 012 | 16513-ZE2-000 | PIN, GOVERNOR WEIGHT       | 2     |                 |
| 013 | 16531-Z0A-000 | SLIDER, GOVERNOR           | 1     |                 |
| 014 | 15620-ZG4-910 | CAP, OIL FILLER            | 1     | 1528044         |
| 014 | 25611-735-000 | CAP, OIL HOLE              | 1     | 1528043         |
| 016 | 90473-147-000 | WASHER, 6X16               | 1     |                 |
| Ref | Partnumber    | Description                | GX240 | Serial Numbers  |
| 017 | 90602-896-000 | CLIP, GOVERNOR HOLDER      | 1     | 1287216         |
| 017 | 90602-ZE1-000 | CLIP, GOVERNOR HOLDER      | 1     | 1287217         |
| 018 | 91201-890-003 | OIL SEAL, 30X46X8          | 1     |                 |
| 020 | 94101-06800   | WASHER, PLAIN, 6MM         | 1     |                 |
| 021 | 90701-HC4-000 | DOWEL PIN, 8X12            | 2     | 1342866         |
| 021 | 94301-08120   | PIN A, DOWEL, 8X12         | 2     | 1240657 1342865 |
| 022 | 95900-0803500 | BOLT, FLANGE, 8X35         | 7     |                 |
| 024 | 96100-6206000 | BEARING, RADIAL BALL, 6206 | 1     |                 |

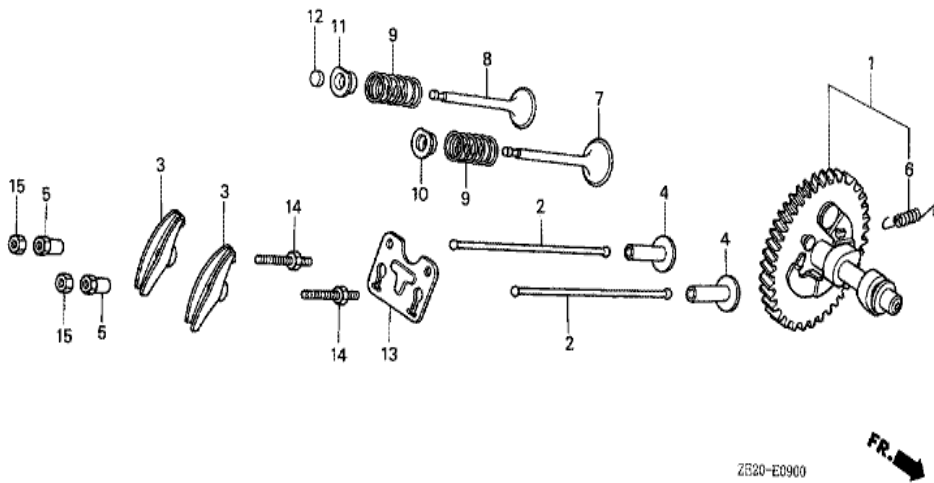


| Ref | Partnumber    | Description                 | GX240 | Serial Numbers |
|-----|---------------|-----------------------------|-------|----------------|
| 001 | 13310-ZE2-000 | CRANKSHAFT COMP.            | 1     | 1494214        |
| 001 | 13310-ZE2-010 | CRANKSHAFT COMP.            | 1     | 1494215        |
| 008 | 92000-080250A | BOLT, HEX., 8X25            | (1)   |                |
| 009 | 90534-706-010 | WASHER, LOCK, 8.5X35X4.5    | (1)   |                |
| 011 | 90741-805-000 | KEY, 7X7X33                 | (1)   |                |
| 011 | 90741-889-810 | KEY, 7X7X33 (YELLOW) (O.S.) | (1)   |                |
| 012 | 96100-6206000 | BEARING, RADIAL BALL, 6206  | 1     |                |





| <u>Ref</u> | <u>Partnumber</u> | <u>Description</u>                      | <u>GX240</u> | <u>Serial Numbers</u> |
|------------|-------------------|---|--------------|-----------------------|
| 001        | 13010-ZE2-003     | RING SET, PISTON (STD.) (NIPPON)        | 1            | 1281053               |
| 001        | 13010-ZE2-004     | RING SET, PISTON (STD.) (TEIKOKU)       | 1            | 1281053               |
| 001        | 13010-ZE2-013     | RING SET, PISTON (STD.) (NIPPON)        | 1            | 1242765               |
| 001        | 13010-ZE2-014     | RING SET, PISTON (STD.) (TEIKOKU)       | 1            | 1281054               |
| 001        | 13011-ZE2-003     | RING SET, PISTON (0.25) (NIPPON)        | (1)          | 1281053               |
| 001        | 13011-ZE2-004     | RING SET, PISTON (0.25) (TEIKOKU)       | (1)          | 1281053               |
| 001        | 13011-ZE2-013     | RING SET, PISTON (0.25) (NIPPON)        | (1)          |                       |
| 001        | 13011-ZE2-014     | RING SET, PISTON (0.25) (TEIKOKU)       | (1)          | 1281054               |
| 001        | 13012-ZE2-003     | RING SET, PISTON (0.50) (NIPPON)        | (1)          | 1281053               |
| 001        | 13012-ZE2-004     | RING SET, PISTON (0.50) (TEIKOKU)       | (1)          | 1281053               |
| 001        | 13012-ZE2-013     | RING SET, PISTON (0.50) (NIPPON)        | (1)          | 1281054               |
| 001        | 13012-ZE2-014     | RING SET, PISTON (0.50) (TEIKOKU)       | (1)          | 1281054               |
| 001        | 13013-ZE2-003     | RING SET, PISTON (0.75) (NIPPON)        | (1)          | 1242764               |
| <u>Ref</u> | <u>Partnumber</u> | <u>Description</u>                      | <u>GX240</u> | <u>Serial Numbers</u> |
| 001        | 13013-ZE2-004     | RING SET, PISTON (0.75) (TEIKOKU)       | (1)          | 1281053               |
| 001        | 13013-ZE2-013     | RING SET, PISTON (0.75) (NIPPON)        | (1)          | 1281054               |
| 001        | 13013-ZE2-014     | RING SET, PISTON (0.75) (TEIKOKU)       | (1)          | 1281054               |
| 002        | 13101-ZE2-000     | PISTON (STD.)                           | 1            | 1263002               |
| 002        | 13101-ZE2-010     | PISTON (STD.)                           | 1            | 1263003               |
| 002        | 13102-ZE2-000     | PISTON (0.25)                           | (1)          | 1263002               |
| 002        | 13102-ZE2-010     | PISTON (0.25)                           | (1)          | 1263003               |
| 002        | 13103-ZE2-000     | PISTON (0.50)                           | (1)          | 1263002               |
| 002        | 13103-ZE2-010     | PISTON (0.50)                           | (1)          | 1263003               |
| 002        | 13104-ZE2-000     | PISTON (0.75)                           | (1)          | 1263002               |
| 002        | 13104-ZE2-010     | PISTON (0.75)                           | (1)          | 1263003               |
| 004        | 13111-ZE2-000     | PIN, PISTON                             | 1            |                       |
| 005        | 13200-ZE2-000     | ROD ASSY., CONNECTING (STD.)            | 1            |                       |
| 005        | 13200-ZE2-305     | ROD ASSY., CONNECTING (0.25 UNDER SIZE) | (1)          |                       |
| 006        | 90001-ZE8-000     | BOLT, CONNECTING ROD                    | 2            |                       |
| 007        | 90551-ZE1-000     | CLIP, PISTON PIN, 18MM                  | 2            |                       |



ZE20-E0900



| <u>Ref</u> | <u>Partnumber</u> | <u>Description</u>         | <u>GX240</u> | <u>Serial Numbers</u> |
|------------|-------------------|----------------------------|--------------|-----------------------|
| 001        | 14100-ZE2-010     | CAMSHAFT ASSY.             | 1            | 1494214               |
| 001        | 14100-ZE2-020     | CAMSHAFT ASSY.             | 1            | 1494215               |
| 002        | 14410-ZE2-013     | ROD, PUSH                  | 2            |                       |
| 003        | 14431-ZE2-010     | ARM, VALVE ROCKER          | 2            |                       |
| 004        | 14441-ZE2-000     | LIFTER, VALVE              | 2            |                       |
| 005        | 14451-ZE1-003     | PIVOT, ROCKER ARM          | 2            |                       |
| 006        | 14568-ZE1-000     | SPRING, WEIGHT RETURN      | 1            |                       |
| 007        | 14711-ZE2-000     | VALVE, IN.                 | 1            |                       |
| 008        | 14721-ZE2-000     | VALVE, EX.                 | (1)          |                       |
| 009        | 14751-ZE2-003     | SPRING, VALVE              | 2            |                       |
| 010        | 14771-ZE2-000     | RETAINER, IN. VALVE SPRING | 1            |                       |
| 011        | 14773-ZE2-000     | RETAINER, EX. VALVE SPRING | 1            |                       |
| 012        | 14781-ZE2-000     | ROTATOR, VALVE             | 1            |                       |
| <u>Ref</u> | <u>Partnumber</u> | <u>Description</u>         | <u>GX240</u> | <u>Serial Numbers</u> |
| 013        | 14791-ZE2-000     | PLATE, PUSH ROD GUIDE      | 1            | 1494214               |
| 013        | 14791-ZE2-010     | GUIDE, PUSH ROD            | 1            | 1494215               |
| 014        | 90012-ZE0-010     | BOLT, PIVOT, 8MM           | 2            |                       |
| 015        | 90206-ZE1-000     | NUT, PIVOT ADJUSTING       | 2            |                       |



HENG-X0003

| <u>Ref</u> | <u>Partnumber</u> | <u>Description</u> | <u>GX240</u> | <u>Serial Numbers</u> |
|------------|-------------------|--------------------|--------------|-----------------------|
| 001        | 061A1-ZE2-000     | GASKET KIT         | 1            | 1086328               |
| 001        | 061A1-ZE2-020     | GASKET KIT         | 1            | 1072860               |
| 001        | 061C1-ZE2-030     | GASKET KIT         | 1            | 1072860 1086328       |