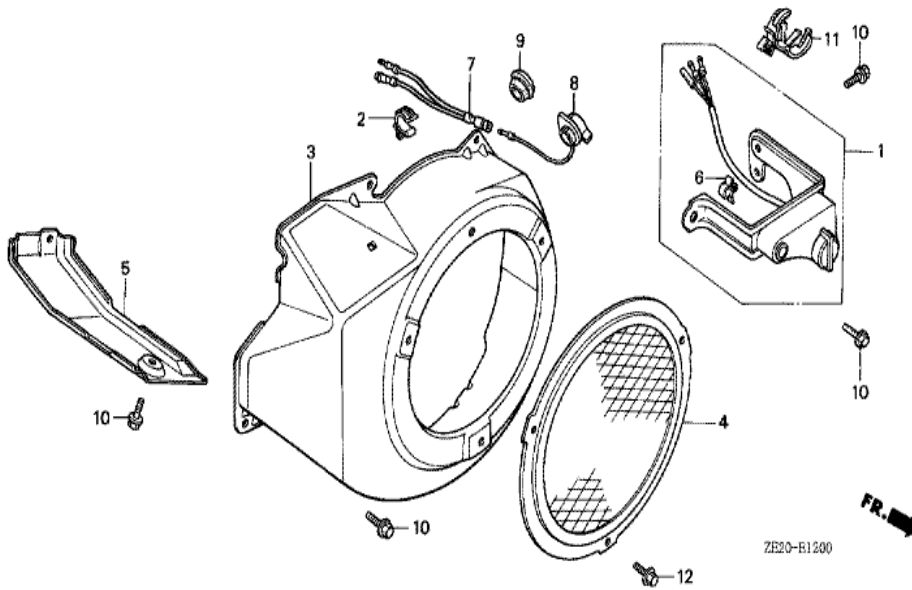
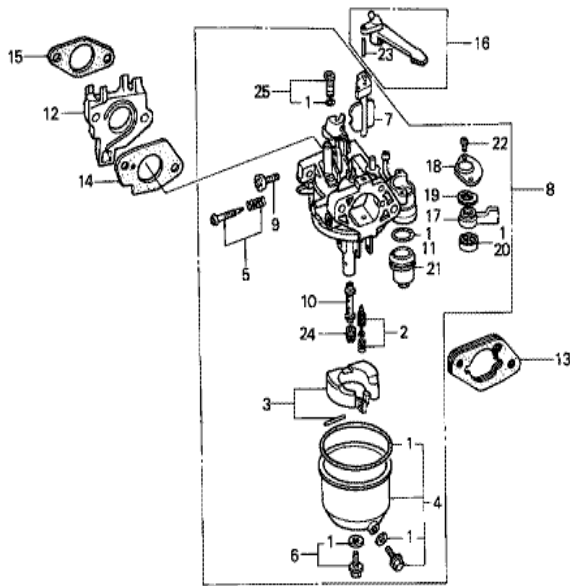


| <u>Ref</u> | <u>Partnumber</u> | <u>Description</u> | <u>GX240</u> | <u>Serial Numbers</u> |
|------------|-------------------|--|--------------|-----------------------|
| 001 | 28400-ZE2-003ZA | STARTER ASSY., RECOIL *R8 * | (1) | |
| 002 | 28410-ZE2-003ZA | CASE COMP., RECOIL STARTER *R8 * | (1) | |
| 003 | 28420-889-631 | REEL COMP., STARTER | (1) | |
| 004 | 28422-ZE1-711 | RATCHET, STARTER | (1) | |
| 005 | 28423-ZE1-711 | SHAFT, RATCHET | (1) | |
| 006 | 28424-ZE1-711 | PLATE, GUIDE | (1) | |
| 007 | 28431-ZE1-711 | PLATE A, FRICTION | (1) | |
| 008 | 28432-ZG0-003 | PLATE B, FRICTION | (1) | |
| 009 | 28434-ZE1-711 | COVER, STARTER REEL | (1) | |
| 010 | 28441-ZE1-711 | SPRING, FRICTION (D=18.5MM / L=20.5MM) | (1) | |
| 011 | 28442-ZE1-711 | SPRING, RETURN | (1) | |
| 012 | 28461-889-631 | GRIP, STARTER | (1) | |
| 013 | 28462-ZE2-003 | ROPE, STARTER | (1) | |
| <u>Ref</u> | <u>Partnumber</u> | <u>Description</u> | <u>GX240</u> | <u>Serial Numbers</u> |
| 014 | 90003-ZG0-003 | BOLT, REEL COVER | (1) | |
| 015 | 90011-ZG0-000 | BOLT, FLANGE, 6X8 | 3 | |



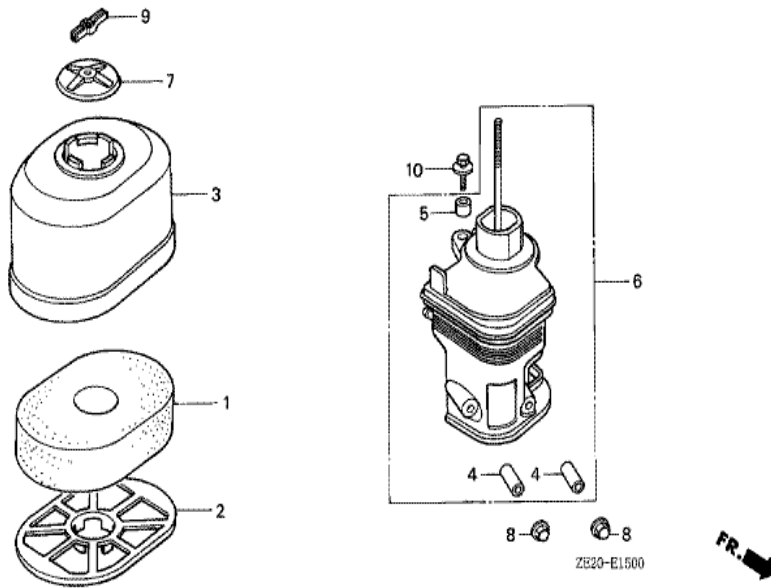
| Ref | Partnumber | Description | GX240 | Serial Numbers |
|-----|-----------------|-------------------------------|-------|----------------|
| 001 | 15520-ZE2-003 | ALERT UNIT, OIL / SWITCH, | 1 | |
| 002 | 16731-ZE2-003 | CLIP, TUBE | 1 | |
| 003 | 19610-ZE2-000ZA | COVER COMP., FAN *R8 * | (1) | |
| 005 | 19631-ZE2-010 | SHROUD | 1 | 1014290 |
| 006 | 30701-883-000 | CLIP, HIGH TENSION CORD (8MM) | 1 | |
| 009 | 81329-567-020 | GROMMET, DRAIN HOLE | 1 | 1494880 |
| 010 | 90013-883-000 | BOLT, FLANGE, 6X12 (CT200) | (N) | |
| 011 | 90684-ZA0-601 | CLIP, HARNESS | (1) | |



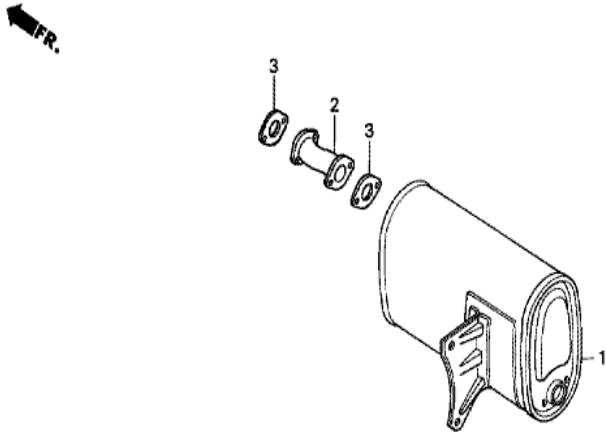
ZE20-E1401



| Ref | Partnumber | Description | GX240 | Serial Numbers |
|-----|---------------|----------------------------|-------|----------------|
| 001 | 16010-ZE2-811 | GASKET SET | (1) | BE15B D |
| 001 | 16010-ZE2-812 | GASKET SET | 1 | BE15B E |
| 002 | 16011-ZA0-931 | VALVE SET, FLOAT | (1) | |
| 003 | 16013-ZA0-931 | FLOAT SET | (1) | |
| 004 | 16015-ZE2-005 | CHAMBER SET, FLOAT | (1) | |
| 005 | 16016-ZA0-931 | SCREW SET, PILOT | (1) | |
| 006 | 16028-ZE0-005 | SCREW SET | (1) | |
| 007 | 16044-ZE2-005 | CHOKE SET | (1) | |
| 008 | 16100-ZE2-813 | CARBURETOR ASSY. (BE15B D) | 1 | 1062263 |
| 008 | 16100-ZE2-814 | CARBURETOR ASSY. (BE15B E) | (1) | |
| 009 | 16124-ZE0-005 | SCREW, THROTTLE STOP | (1) | |
| 010 | 16166-ZE2-015 | NOZZLE, MAIN | (1) | |
| 011 | 16173-001-004 | PACKING, FUEL STRAINER CUP | (1) | |
| Ref | Partnumber | Description | GX240 | Serial Numbers |
| 012 | 16211-ZE2-000 | INSULATOR, CARBURETOR | 1 | |
| 013 | 16220-ZA0-702 | SPACER COMP., CARBURETOR | 1 | 1160854 |
| 014 | 16221-ZA0-700 | PACKING, CARBURETOR | 1 | |
| 015 | 16223-ZA0-700 | PACKING, INSULATOR | 1 | BE15B D |
| 016 | 16610-ZE1-000 | LEVER COMP., CHOKE (STD.) | 1 | |
| 017 | 16953-ZE1-811 | LEVER, COCK | (1) | |
| 018 | 16954-ZE1-811 | PLATE, LEVER SETTING | (1) | |
| 019 | 16956-ZE1-811 | SPRING, COCK LEVER | (1) | |
| 020 | 16957-ZE1-811 | PACKING, FUEL COCK | (1) | BE15B D |
| 020 | 16957-ZE1-812 | PACKING, FUEL COCK | 1 | |
| 021 | 16967-ZE0-811 | CUP, FUEL STRAINER | (1) | |
| 022 | 93500-030081G | SCREW, PAN, 3X8 | 2 | BE15B E |
| 022 | 93500-030081H | SCREW, PAN, 3X8 | (2) | BE15B D |
| 023 | 94305-20122 | PIN, SPRING, 2X12 | 1 | |
| 024 | 99101-1240820 | JET, MAIN, #82 | (1) | |
| 024 | 99101-1240850 | JET, MAIN, #85 | (1) | BE15B D |
| 024 | 99101-1240880 | JET, MAIN, #88 | (1) | |
| 025 | 99204-ZE20380 | JET SET, PILOT, #38 | (1) | |

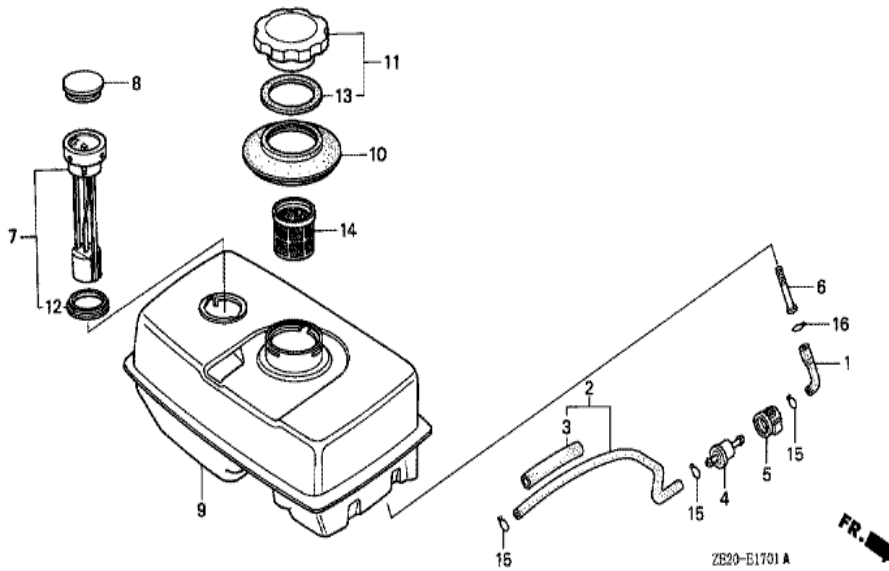


| Ref | Partnumber | Description | GX240 | Serial Numbers |
|-----|---------------|--|-------|----------------|
| 001 | 17211-ZE2-000 | ELEMENT, AIR CLEANER (SEMI DRY) | (1) | |
| 002 | 17212-ZE2-000 | GRID, AIR CLEANER | (1) | |
| 003 | 17231-ZE2-000 | COVER, AIR CLEANER (SEMI DRY) | (1) | |
| 004 | 17238-ZE2-310 | COLLAR, AIR CLEANER | 2 | 1095732 |
| 005 | 17239-ZE1-000 | COLLAR B, AIR CLEANER | (1) | |
| 006 | 17410-ZE2-020 | ELBOW COMP., AIR CLEANER | 1 | 1095732 |
| 007 | 17420-ZE2-000 | CAP COMP., AIR CLEANER | (1) | |
| 008 | 90201-415-000 | NUT, CAP, 6MM | (2) | |
| 009 | 90203-PB2-000 | NUT, AIR CLEANER COVER (DACRO COATING) | 1 | |
| 010 | 93494-0602008 | BOLT-WASHER, 6X20 | (1) | |

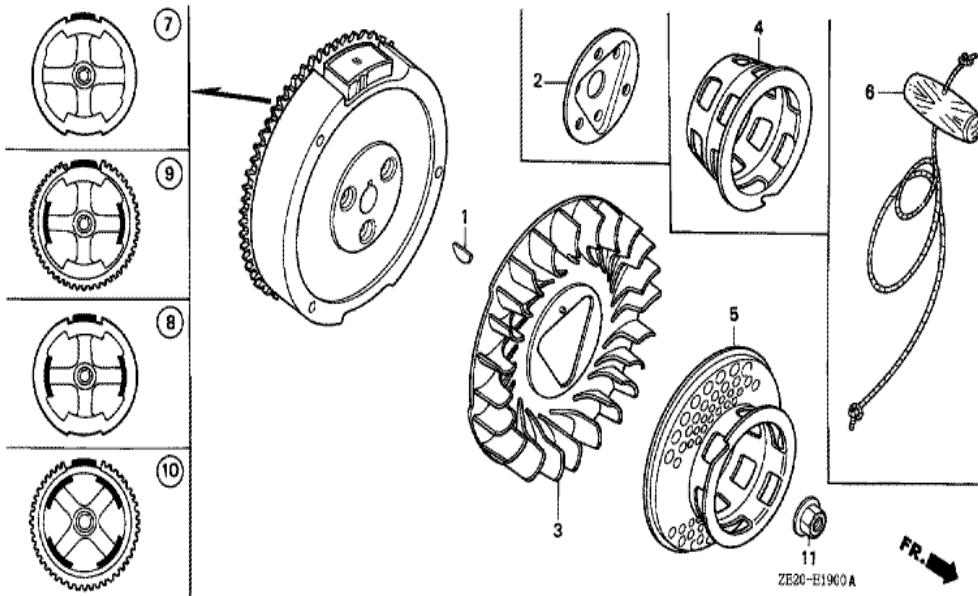


ZE30E1601 8

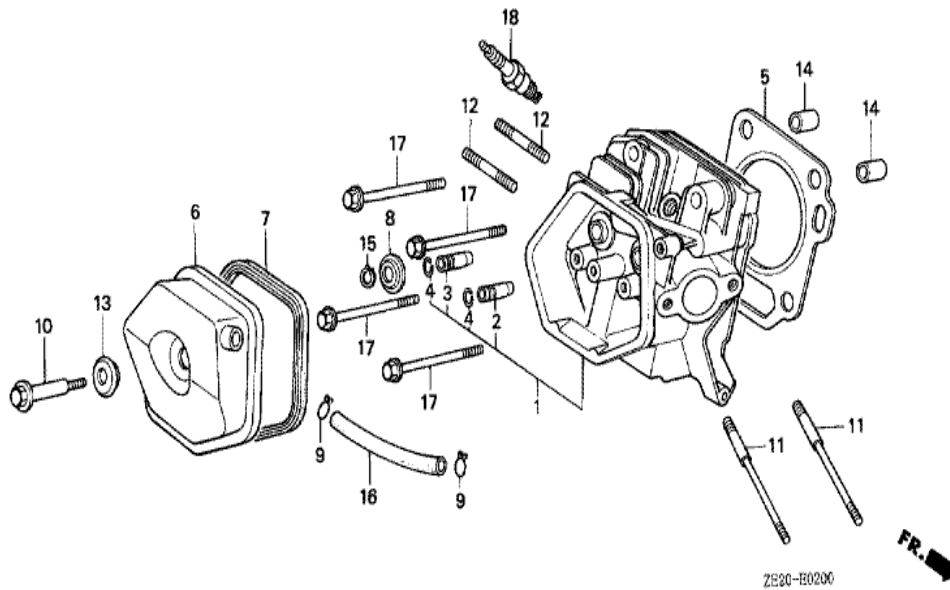
| Ref | Partnumber | Description | GX240 | Serial Numbers |
|-----|---------------|------------------|-------|----------------|
| 001 | 18310-ZB7-003 | MUFFLER COMP. | 1 | |
| 002 | 18330-ZB7-003 | PIPE COMP., EX. | 1 | |
| 003 | 18333-ZB7-000 | GASKET, EX. PIPE | 1 | 1445205 |
| 003 | 18333-ZB7-000 | GASKET, EX. PIPE | 2 | 1445206 |



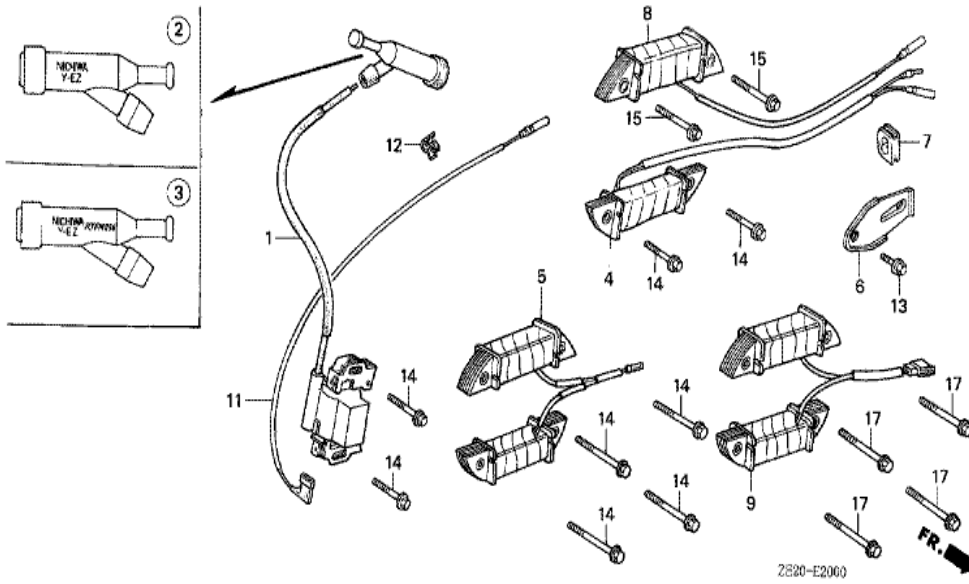
| <u>Ref</u> | <u>Partnumber</u> | <u>Description</u> | <u>GX240</u> | <u>Serial Numbers</u> |
|------------|-------------------|-----------------------------|--------------|-----------------------|
| 001 | 16852-ZB6-000 | TUBE, FUEL TANK | 1 | 1445206 |
| 002 | 16854-ZB6-000 | TUBE ASSY., COCK-CARBURETOR | 1 | 1445206 |
| 003 | 16857-ZB6-000 | RUBBER, SUPPORTER | 1 | 1445206 |
| 004 | 16910-GB2-005 | STRAINER COMP., FUEL | 1 | 1445206 |
| 005 | 16915-GB2-000 | SUSPENSION, STRAINER | 1 | 1445206 |
| 006 | 16952-ZB6-000 | BUSH, FUEL PURGE | 1 | |
| 007 | 17505-898-023 | METER COMP., FUEL | 1 | |
| 008 | 17507-ZA0-800 | CAP, FUEL METER | 1 | 1445206 |
| 009 | 17510-ZB6-000 | TANK COMP., FUEL | 1 | 1475820 |
| 009 | 17510-ZB6-010 | TANK COMP., FUEL | 1 | 1475821 |
| 010 | 17520-ZA0-800 | SEAL, FUEL FILLER NECK | 1 | |
| 011 | 17620-899-013 | CAP COMP., FUEL FILLER | 1 | |
| 012 | 17624-187-020 | PACKING C, FUEL METER | 1 | |
| <u>Ref</u> | <u>Partnumber</u> | <u>Description</u> | <u>GX240</u> | <u>Serial Numbers</u> |
| 013 | 17631-899-000 | PACKING, FUEL FILLER CAP | 1 | |
| 014 | 17670-ZB6-000 | FILTER COMP., FUEL | 1 | |
| 015 | 95002-02080 | CLIP, TUBE (B8) | 3 | 1445206 |
| 016 | 95002-02100 | CLIP, TUBE (B10) | 1 | 1445206 |



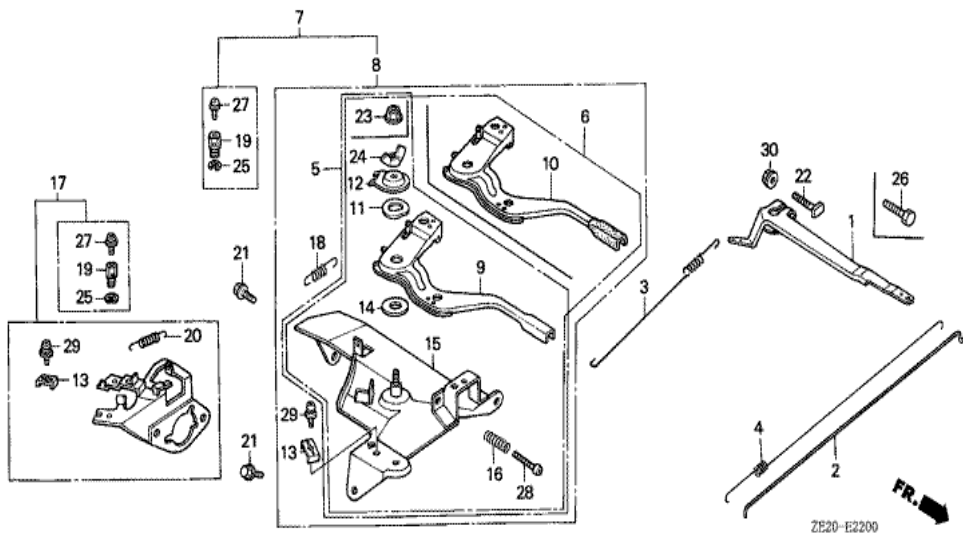
| Ref | Partnumber | Description | GX240 | Serial Numbers |
|-----|---------------|------------------------------|-------|----------------|
| 001 | 13331-357-000 | KEY, SPECIAL WOODRUFF, 25X18 | 1 | |
| 003 | 19511-ZE2-000 | FAN, COOLING | 1 | |
| 004 | 28451-ZE2-003 | PULLEY, STARTER | (1) | |
| 007 | 31100-ZE2-000 | FLYWHEEL COMP. | (1) | |
| 011 | 90201-ZE3-790 | NUT, SPECIAL, 16MM | 1 | |



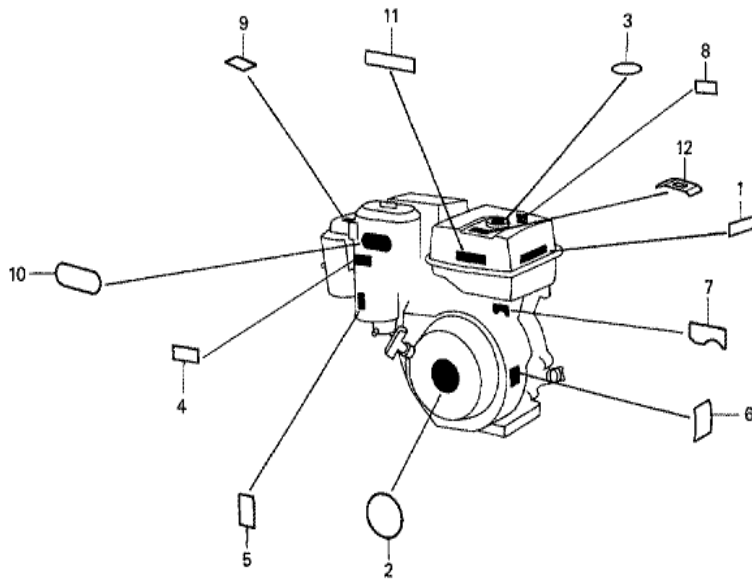
| <u>Ref</u> | <u>Partnumber</u> | <u>Description</u> | <u>GX240</u> | <u>Serial Numbers</u> |
|------------|-------------------|--------------------------------|--------------|-----------------------|
| 001 | 122A0-ZE2-030 | HEAD COMP., CYLINDER | 1 | |
| 002 | 12204-ZE2-315 | GUIDE, IN. VALVE (OS) | (1) | 1000441 |
| 003 | 12205-ZE2-305 | GUIDE, EX. VALVE (OS) | (1) | |
| 004 | 12216-ZE2-300 | CLIP, VALVE GUIDE | 2 | |
| 005 | 12251-ZE2-000 | GASKET, CYLINDER HEAD | 1 | |
| 006 | 12310-ZE2-010 | COVER COMP., HEAD | 1 | 1014290 |
| 007 | 12391-ZE2-010 | PACKING, HEAD COVER | 1 | 1086329 |
| 008 | 14775-ZE2-010 | SEAT, VALVE SPRING | 1 | |
| 010 | 90014-ZE2-000 | BOLT, HEAD COVER | 1 | |
| 011 | 90042-ZE2-000 | BOLT, STUD, 8X123 | 2 | |
| 012 | 90012-KM9-000 | BOLT, STUD, 8X34 | 2 | 1204969 |
| 013 | 90441-ZE2-010 | WASHER COMP., HEAD COVER | 1 | 1069850 |
| 014 | 94301-12200 | DOWEL PIN, 12X20 | 2 | |
| <u>Ref</u> | <u>Partnumber</u> | <u>Description</u> | <u>GX240</u> | <u>Serial Numbers</u> |
| 015 | 94510-11000 | CIRCLIP, EXTERNAL, 11MM | 1 | |
| 016 | 95005-1110530 | TUBE, 11X105 (95005-11001-30M) | 1 | 1014290 |
| 017 | 95725-1008000 | BOLT, FLANGE, 10X80 | 4 | |
| 018 | 98079-55855 | PLUG, SPARK (W16EPR-U) (DENSO) | (1) | |
| 018 | 98079-56846 | PLUG, SPARK (BPR6ES) (NGK) | (1) | |
| 018 | 98079-56854 | PLUG, SPARK (W20EP-U) (DENSO) | (1) | |
| 018 | 98079-56855 | PLUG, SPARK (W20EPR-U) (DENSO) | (1) | |



| Ref | Partnumber | Description | GX240 | Serial Numbers |
|-----|---------------|---|-------|----------------|
| 001 | 30500-ZE2-003 | COIL ASSY., IGNITION | (1) | 1512433 |
| 001 | 30500-ZE2-013 | COIL ASSY., IGNITION | 1 | 1512434 |
| 002 | 30600-ZE1-013 | TERMINAL ASSY., HIGH TENSION (NICHIIWA Y- | (1) | |
| | | GROMMET, CORD | 1 | |
| 011 | 36101-ZE1-010 | CORD, STOP SWITCH (370MM) | 1 | 1512434 |
| 011 | 36101-ZE2-000 | CORD, STOP SWITCH | (1) | 1512433 |
| 012 | 36103-ZE1-000 | HOLDER, STOP SWITCH CORD | 2 | 1487105 |

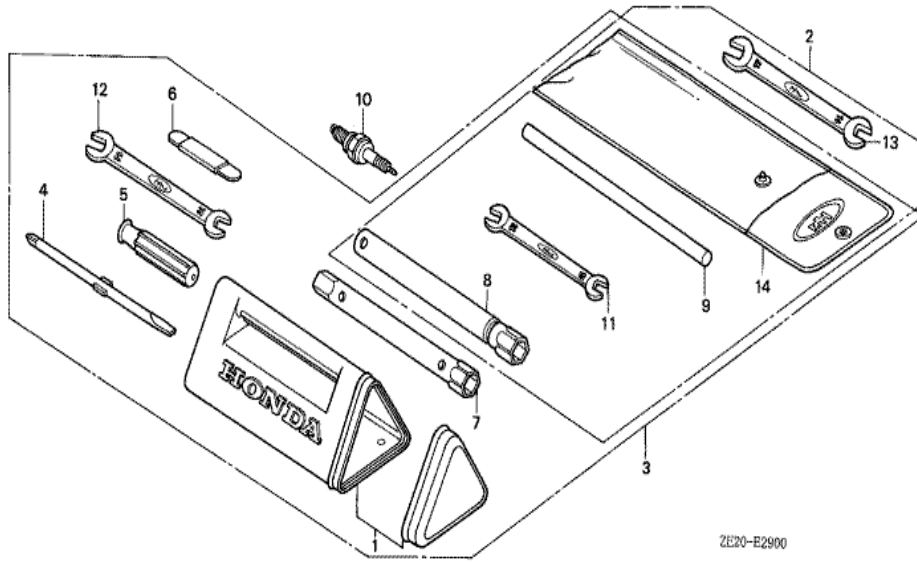


| Ref | Partnumber | Description | GX240 | Serial Numbers | |
|-----|---------------|--|--------------------|----------------|-----------------------|
| 001 | 16551-ZE2-000 | ARM, GOVERNOR | 1 | | |
| 002 | 16555-ZE2-000 | ROD, GOVERNOR | 1 | | |
| 003 | 16561-ZE2-000 | SPRING, GOVERNOR (L=145.0MM) (WIRE DIAME | 1 | | |
| 004 | 16562-ZE2-000 | SPRING, THROTTLE RETURN | 1 | | |
| 007 | 16570-ZE2-811 | CONTROL ASSY. (REMOTE) | 1 | 1519063 | |
| 009 | 16571-ZE2-000 | LEVER, CONTROL | (1) | 1519063 | |
| 009 | 16571-ZE2-W00 | LEVER, CONTROL | (1) | 1519064 | |
| 011 | 16574-ZE1-000 | SPRING, LEVER | (1) | | |
| 012 | 16575-ZE2-000 | WASHER, CONTROL LEVER | (1) | 1519063 | |
| 012 | 16575-ZE2-W00 | WASHER, CONTROL LEVER | (1) | 1519064 | |
| 013 | 16576-891-000 | HOLDER, CABLE | (1) | | |
| 014 | 16578-ZE1-000 | SPACER, CONTROL LEVER | (1) | | |
| 015 | 16581-ZE2-010 | BASE COMP., CONTROL | (1) | 1519063 | |
| | <u>Ref</u> | <u>Partnumber</u> | <u>Description</u> | <u>GX240</u> | <u>Serial Numbers</u> |
| 015 | 16581-ZE2-W00 | BASE COMP., CONTROL (###) | (1) | 1519064 | |
| 016 | 16584-883-300 | SPRING, CONTROL ADJUSTING | (1) | | |
| 018 | 16592-883-310 | SPRING, CABLE RETURN | (1) | | |
| 019 | 16594-883-010 | HOLDER, WIRE | 1 | 1159699 | |
| 021 | 90013-883-000 | BOLT, FLANGE, 6X12 (CT200) | 2 | | |
| 022 | 90015-ZE5-010 | BOLT, GOVERNOR ARM | 1 | 1094202 | |
| 023 | 90114-SA0-000 | NUT, SELF-LOCK, 6MM | (1) | 1519064 | |
| 024 | 90352-883-003 | NUT, WING, 6MM | (1) | 1519063 | |
| 025 | 90605-230-000 | CIRCLIP, 5MM | (1) | | |
| 027 | 93500-040060H | SCREW, PAN, 4X6 | 1 | 1159699 | |
| 028 | 93500-050280A | SCREW, PAN, 5X28 | (1) | | |
| 029 | 93893-0501600 | SCREW-WASHER, 5X16 | (1) | 1519063 | |
| 030 | 94050-06000 | NUT, FLANGE, 6MM | 1 | | |



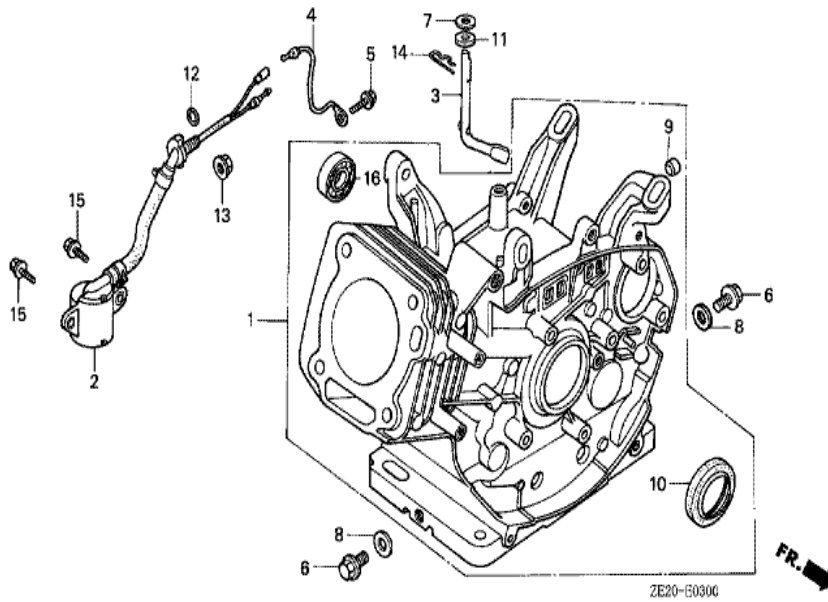
ZE20-E2800

| Ref | Partnumber | Description | GX240 | Serial Numbers |
|-----|---------------|----------------------------|-------|----------------|
| 002 | 87521-ZE2-820 | EMBLEM (INTERNAL-ALERT) | (1) | |
| 005 | 87528-ZE2-000 | MARK, CHOKE (INTERNAL) | (1) | |
| 007 | 87532-ZE1-000 | MARK, OIL ALERT (INTERNAL) | (1) | |

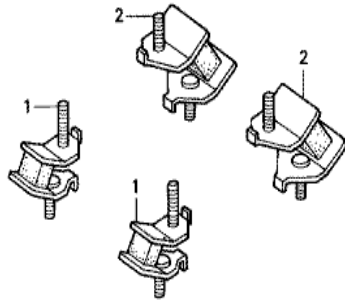


ZE20-E2900

| Ref | Partnumber | Description | GX240 | Serial Numbers |
|-----|---------------|--------------------------|-------|----------------|
| 008 | 89216-809-000 | WRENCH COMP., SPARK PLUG | 1 | 1298647 |
| 008 | 89218-ZE1-000 | WRENCH COMP., SPARK PLUG | 1 | 1298646 |

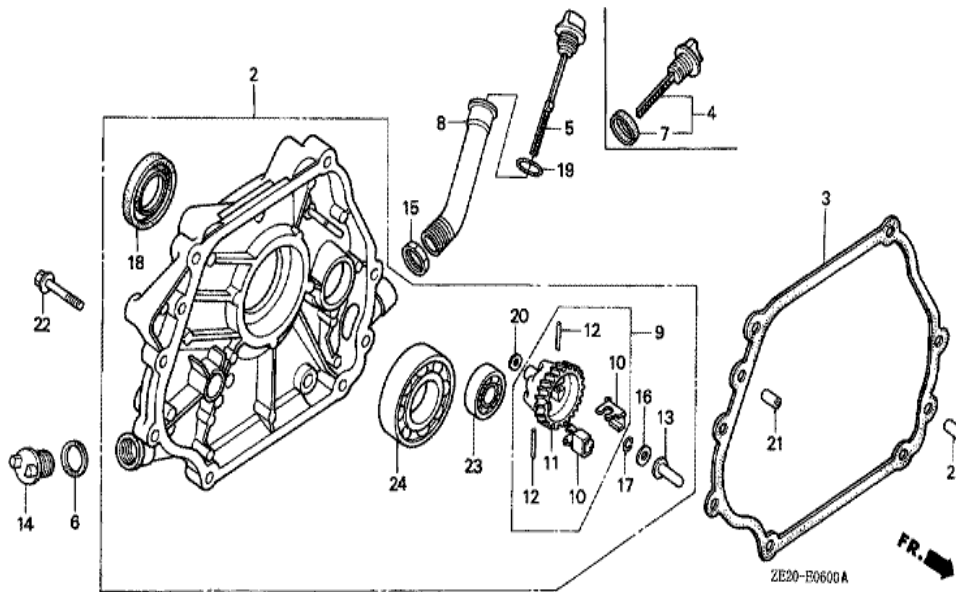


| <u>Ref</u> | <u>Partnumber</u> | <u>Description</u> | <u>GX240</u> | <u>Serial Numbers</u> |
|------------|-------------------|--------------------------------|--------------|-----------------------|
| 001 | 120A0-ZE2-811 | BARREL ASSY., CYLINDER (ALERT) | 1 | 1238478 |
| 001 | 120A0-ZE2-812 | BARREL ASSY., CYLINDER (ALERT) | (1) | 1487105 |
| 001 | 120A0-ZE2-813 | BARREL ASSY., CYLINDER (ALERT) | (1) | 1487106 |
| 002 | 15510-ZE2-013 | SWITCH ASSY., OIL LEVEL | 1 | |
| 003 | 16541-ZE2-000 | SHAFT, GOVERNOR ARM | 1 | |
| 006 | 90131-883-000 | BOLT, DRAIN PLUG, 12X15 | 2 | |
| 007 | 90446-KE1-000 | WASHER, 8.2X17X0.8 | 1 | |
| 008 | 90601-ZE2-000 | WASHER, DRAIN PLUG, 12MM | 2 | 1518601 |
| 008 | 94109-12000 | WASHER, DRAIN PLUG, 12MM | 2 | 1518602 |
| 009 | 90801-ZE2-003 | PLUG, SEALING (RUBBER 10MM) | 1 | |
| 010 | 91201-890-003 | OIL SEAL, 30X46X8 | (1) | |
| 011 | 91203-952-771 | OIL SEAL, 8X14X5 | 1 | |
| 012 | 91353-671-004 | O-RING, 14MM (NOK) | (1) | |
| <u>Ref</u> | <u>Partnumber</u> | <u>Description</u> | <u>GX240</u> | <u>Serial Numbers</u> |
| 013 | 94050-10000 | NUT, FLANGE, 10MM | (1) | |
| 014 | 94251-08000 | PIN, LOCK, 8MM | 1 | |
| 015 | 95700-0601200 | BOLT, FLANGE, 6X12 | (2) | |

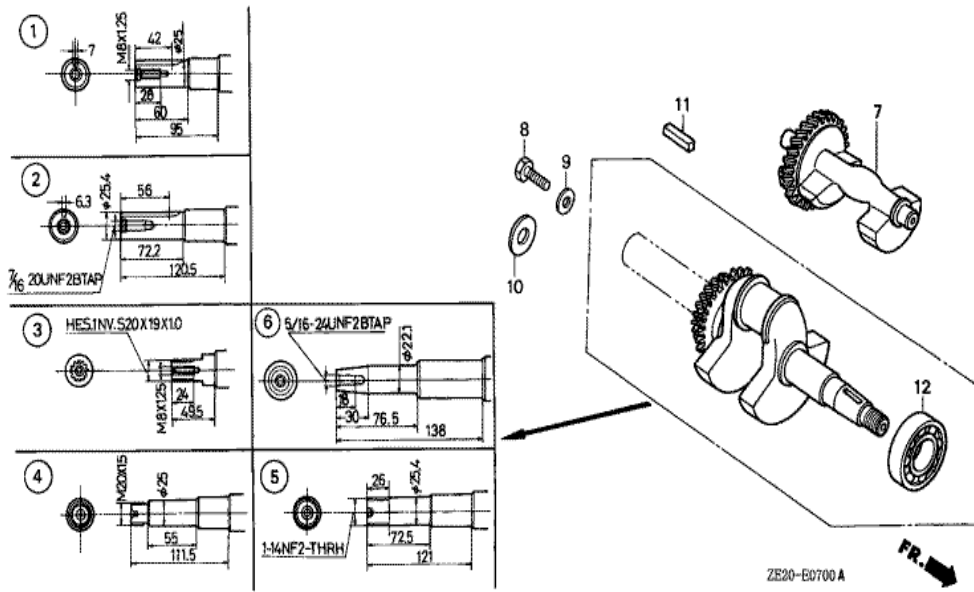


ZF20-E4000

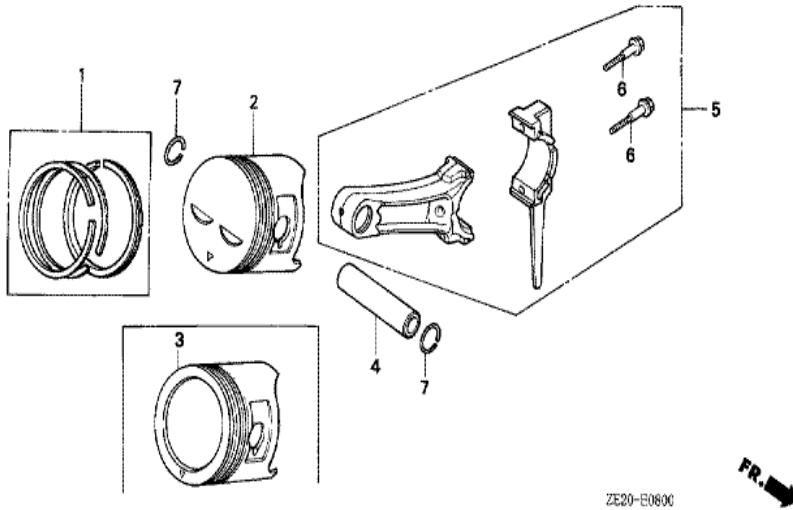
| <u>Ref</u> | <u>Partnumber</u> | <u>Description</u> | <u>GX240</u> | <u>Serial Numbers</u> |
|------------|-------------------|--------------------|--------------|-----------------------|
| 001 | 68325-ZB4-000 | RUBBER, BOTTOM | 2 | 1445205 |
| 002 | 68325-899-000 | RUBBER, BOTTOM | 2 | 1445205 |



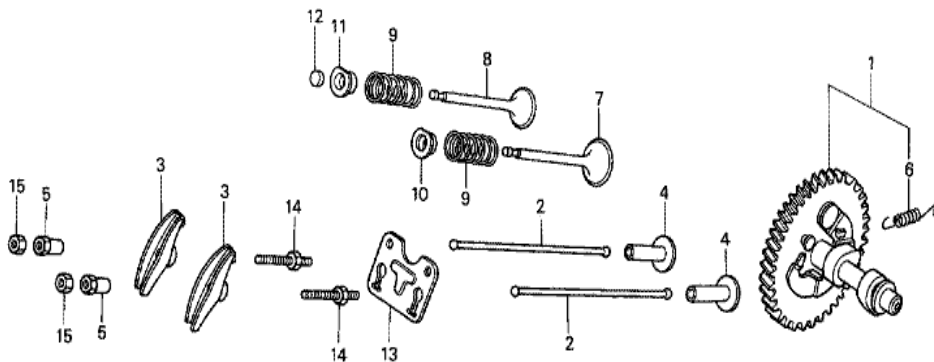
| Ref | Partnumber | Description | GX240 | Serial Numbers |
|-----|---------------|----------------------------|-------|-----------------|
| 002 | 11300-ZE2-000 | COVER ASSY., CRANKCASE | 1 | |
| 003 | 11381-ZE2-000 | PACKING, CASE COVER | 1 | 3151974 |
| 004 | 15600-735-700 | CAP ASSY., OIL FILLER | (1) | |
| 006 | 15621-896-010 | PACKING, OIL FILLER CAP | 1 | |
| 007 | 15625-ZE1-000 | PACKING, OIL FILLER CAP | (1) | |
| 009 | 16510-ZE2-000 | GOVERNOR ASSY. | 1 | |
| 010 | 16511-ZE2-000 | WEIGHT, GOVERNOR | 2 | |
| 011 | 16512-ZE2-000 | HOLDER, GOVERNOR WEIGHT | 1 | |
| 012 | 16513-ZE2-000 | PIN, GOVERNOR WEIGHT | 2 | |
| 013 | 16531-Z0A-000 | SLIDER, GOVERNOR | 1 | |
| 014 | 15620-ZG4-910 | CAP, OIL FILLER | 1 | 1528044 |
| 014 | 25611-735-000 | CAP, OIL HOLE | 1 | 1528043 |
| 016 | 90473-147-000 | WASHER, 6X16 | 1 | |
| Ref | Partnumber | Description | GX240 | Serial Numbers |
| 017 | 90602-896-000 | CLIP, GOVERNOR HOLDER | 1 | 1287216 |
| 017 | 90602-ZE1-000 | CLIP, GOVERNOR HOLDER | 1 | 1287217 |
| 018 | 91201-890-003 | OIL SEAL, 30X46X8 | 1 | |
| 020 | 94101-06800 | WASHER, PLAIN, 6MM | 1 | |
| 021 | 90701-HC4-000 | DOWEL PIN, 8X12 | 2 | 1342866 |
| 021 | 94301-08120 | PIN A, DOWEL, 8X12 | 2 | 1240657 1342865 |
| 022 | 95900-0803500 | BOLT, FLANGE, 8X35 | 7 | |
| 024 | 96100-6206000 | BEARING, RADIAL BALL, 6206 | 1 | |



| Ref | Partnumber | Description | GX240 | Serial Numbers |
|-----|---------------|-----------------------------|-------|----------------|
| 001 | 13310-ZE2-000 | CRANKSHAFT COMP. | 1 | 1494214 |
| 001 | 13310-ZE2-010 | CRANKSHAFT COMP. | 1 | 1494215 |
| 008 | 92000-080250A | BOLT, HEX., 8X25 | (1) | |
| 009 | 90534-706-010 | WASHER, LOCK, 8.5X35X4.5 | (1) | |
| 011 | 90741-805-000 | KEY, 7X7X33 | (1) | |
| 011 | 90741-889-810 | KEY, 7X7X33 (YELLOW) (O.S.) | (1) | |
| 012 | 96100-6206000 | BEARING, RADIAL BALL, 6206 | 1 | |



| <u>Ref</u> | <u>Partnumber</u> | <u>Description</u> | <u>GX240</u> | <u>Serial Numbers</u> |
|------------|-------------------|---|--------------|-----------------------|
| 001 | 13010-ZE2-003 | RING SET, PISTON (STD.) (NIPPON) | 1 | 1281053 |
| 001 | 13010-ZE2-004 | RING SET, PISTON (STD.) (TEIKOKU) | 1 | 1281053 |
| 001 | 13010-ZE2-013 | RING SET, PISTON (STD.) (NIPPON) | 1 | 1242765 |
| 001 | 13010-ZE2-014 | RING SET, PISTON (STD.) (TEIKOKU) | 1 | 1281054 |
| 001 | 13011-ZE2-003 | RING SET, PISTON (0.25) (NIPPON) | (1) | 1281053 |
| 001 | 13011-ZE2-004 | RING SET, PISTON (0.25) (TEIKOKU) | (1) | 1281053 |
| 001 | 13011-ZE2-013 | RING SET, PISTON (0.25) (NIPPON) | (1) | |
| 001 | 13011-ZE2-014 | RING SET, PISTON (0.25) (TEIKOKU) | (1) | 1281054 |
| 001 | 13012-ZE2-003 | RING SET, PISTON (0.50) (NIPPON) | (1) | 1281053 |
| 001 | 13012-ZE2-004 | RING SET, PISTON (0.50) (TEIKOKU) | (1) | 1281053 |
| 001 | 13012-ZE2-013 | RING SET, PISTON (0.50) (NIPPON) | (1) | 1281054 |
| 001 | 13012-ZE2-014 | RING SET, PISTON (0.50) (TEIKOKU) | (1) | 1281054 |
| 001 | 13013-ZE2-003 | RING SET, PISTON (0.75) (NIPPON) | (1) | 1242764 |
| <u>Ref</u> | <u>Partnumber</u> | <u>Description</u> | <u>GX240</u> | <u>Serial Numbers</u> |
| 001 | 13013-ZE2-004 | RING SET, PISTON (0.75) (TEIKOKU) | (1) | 1281053 |
| 001 | 13013-ZE2-013 | RING SET, PISTON (0.75) (NIPPON) | (1) | 1281054 |
| 001 | 13013-ZE2-014 | RING SET, PISTON (0.75) (TEIKOKU) | (1) | 1281054 |
| 002 | 13101-ZE2-000 | PISTON (STD.) | 1 | 1263002 |
| 002 | 13101-ZE2-010 | PISTON (STD.) | 1 | 1263003 |
| 002 | 13102-ZE2-000 | PISTON (0.25) | (1) | 1263002 |
| 002 | 13102-ZE2-010 | PISTON (0.25) | (1) | 1263003 |
| 002 | 13103-ZE2-000 | PISTON (0.50) | (1) | 1263002 |
| 002 | 13103-ZE2-010 | PISTON (0.50) | (1) | 1263003 |
| 002 | 13104-ZE2-000 | PISTON (0.75) | (1) | 1263002 |
| 002 | 13104-ZE2-010 | PISTON (0.75) | (1) | 1263003 |
| 004 | 13111-ZE2-000 | PIN, PISTON | 1 | |
| 005 | 13200-ZE2-000 | ROD ASSY., CONNECTING (STD.) | 1 | |
| 005 | 13200-ZE2-305 | ROD ASSY., CONNECTING (0.25 UNDER SIZE) | (1) | |
| 006 | 90001-ZE8-000 | BOLT, CONNECTING ROD | 2 | |
| 007 | 90551-ZE1-000 | CLIP, PISTON PIN, 18MM | 2 | |



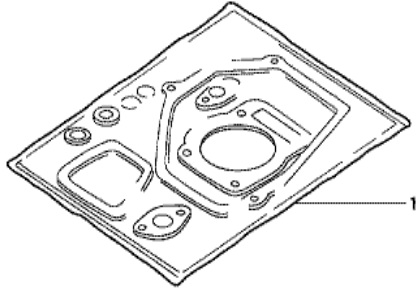
ZE20-E0900



| <u>Ref</u> | <u>Partnumber</u> | <u>Description</u> | <u>GX240</u> | <u>Serial Numbers</u> |
|------------|-------------------|----------------------------|--------------|-----------------------|
| 001 | 14100-ZE2-010 | CAMSHAFT ASSY. | 1 | 1494214 |
| 001 | 14100-ZE2-020 | CAMSHAFT ASSY. | 1 | 1494215 |
| 002 | 14410-ZE2-013 | ROD, PUSH | 2 | |
| 003 | 14431-ZE2-010 | ARM, VALVE ROCKER | 2 | |
| 004 | 14441-ZE2-000 | LIFTER, VALVE | 2 | |
| 005 | 14451-ZE1-003 | PIVOT, ROCKER ARM | 2 | |
| 006 | 14568-ZE1-000 | SPRING, WEIGHT RETURN | 1 | |
| 007 | 14711-ZE2-000 | VALVE, IN. | 1 | |
| 008 | 14721-ZE2-000 | VALVE, EX. | (1) | |
| 009 | 14751-ZE2-003 | SPRING, VALVE | 2 | |
| 010 | 14771-ZE2-000 | RETAINER, IN. VALVE SPRING | 1 | |
| 011 | 14773-ZE2-000 | RETAINER, EX. VALVE SPRING | 1 | |
| 012 | 14781-ZE2-000 | ROTATOR, VALVE | 1 | |
| <u>Ref</u> | <u>Partnumber</u> | <u>Description</u> | <u>GX240</u> | <u>Serial Numbers</u> |
| 013 | 14791-ZE2-000 | PLATE, PUSH ROD GUIDE | 1 | 1494214 |
| 013 | 14791-ZE2-010 | GUIDE, PUSH ROD | 1 | 1494215 |
| 014 | 90012-ZE0-010 | BOLT, PIVOT, 8MM | 2 | |
| 015 | 90206-ZE1-000 | NUT, PIVOT ADJUSTING | 2 | |

GX240(SJP)

EOP-1 GASKET KIT



HENG-X0003

| <u>Ref</u> | <u>Partnumber</u> | <u>Description</u> | <u>GX240</u> | <u>Serial Numbers</u> |
|------------|-------------------|--------------------|--------------|-----------------------|
| 001 | 061B1-ZE2-000 | GASKET KIT | 1 | |