

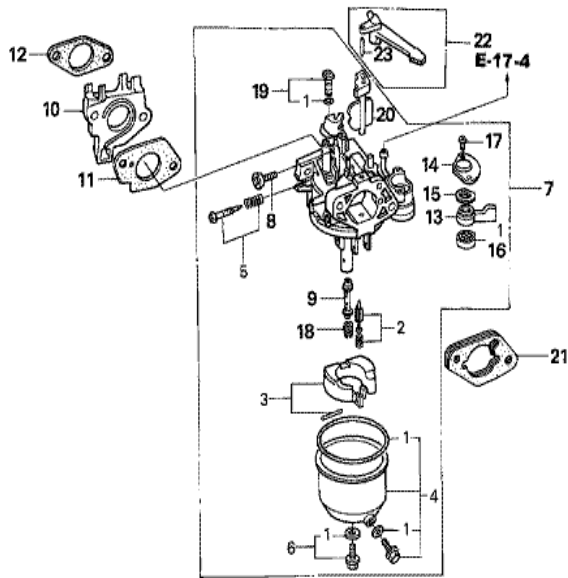
ZK20-E1100A

FR. →

Ref	Partnumber	Description	GX240K1	Serial Numbers
001	28400-ZE2-W01ZA	STARTER ASSY., RECOIL *R8 *	1	
001	28400-ZE2-W01ZA	STARTER ASSY., RECOIL *R8 *	(1)	
001	28400-ZE2-W01ZN	STARTER ASSY., RECOIL *R280 *	(1)	
002	28410-ZE2-W01ZA	CASE COMP., RECOIL STARTER *R8 *	1	
002	28410-ZE2-W01ZA	CASE COMP., RECOIL STARTER *R8 *	(1)	
003	28421-ZE2-W01	PULLEY, RECOIL STARTER	1	
003	28421-ZE2-W01	PULLEY, RECOIL STARTER	(1)	
004	28422-ZE2-W01	RATCHET, STARTER	2	
004	28422-ZE2-W01	RATCHET, STARTER	(2)	
005	28441-ZE2-W01	SPRING, FRICTION	1	
005	28441-ZE2-W01	SPRING, FRICTION	(1)	
006	28442-ZE2-W01	SPRING, STARTER RETURN	1	
006	28442-ZE2-W01	SPRING, STARTER RETURN	(1)	
<u>Ref</u>	<u>Partnumber</u>	<u>Description</u>	<u>GX240K1</u>	<u>Serial Numbers</u>
007	28443-ZE2-W01	SPRING, RATCHET	2	
007	28443-ZE2-W01	SPRING, RATCHET	(2)	
008	28444-ZE2-W01	RETAINER, SPRING	1	
008	28444-ZE2-W01	RETAINER, SPRING	(1)	
010	28461-ZE2-W02	GRIP, STARTER	1	4914022
010	28461-ZE2-W02	GRIP, STARTER	(1)	
011	28462-ZE2-W01	ROPE, RECOIL STARTER	1	3793540
011	28462-ZE2-W01	ROPE, RECOIL STARTER	(1)	3793540
011	28462-ZE2-W11	ROPE, RECOIL STARTER	1	
011	28462-ZE2-W11	ROPE, RECOIL STARTER	(1)	3793541
012	28469-ZE2-W01	REINFORCEMENT, GRIP	1	
012	28469-ZE2-W01	REINFORCEMENT, GRIP	(1)	3793540
013	90004-ZE2-W01	SCREW, CENTER	1	
013	90004-ZE2-W01	SCREW, CENTER	(1)	
014	90008-ZE2-003	BOLT, FLANGE, 6X10	3	
014	95701-0600800	BOLT, FLANGE, 6X8	3	
014	95701-0600800	BOLT, FLANGE, 6X8	(3)	



Ref	Partnumber	Description	GX240K1	Serial Numbers
001	15520-ZE2-003	ALERT UNIT, OIL / SWITCH,	1	3116814
001	15520-ZE2-003	ALERT UNIT, OIL / SWITCH,	(1)	3116814
002	16731-ZE2-003	CLIP, TUBE	1	
003	19610-ZE2-010ZA	COVER COMP., FAN *R8 *	1	
003	19610-ZE2-010ZA	COVER COMP., FAN *R8 *	(1)	
005	19631-ZE2-D00	SHROUD	1	
007	30701-883-000	CLIP, HIGH TENSION CORD (8MM)	1	3116814
007	30701-883-000	CLIP, HIGH TENSION CORD (8MM)	(1)	3116814
009	32197-ZH8-003	SUB HARNESS	1	3116815 3566259
009	32197-ZH8-003	SUB HARNESS	1	3116815 3566259
012	36100-ZE1-015	SWITCH ASSY., ENGINE STOP	1	3313581
012	36100-ZE1-015	SWITCH ASSY., ENGINE STOP	(1)	3566259
012	36100-ZH7-003	SWITCH ASSY., ENGINE STOP	1	
<u>Ref</u>	<u>Partnumber</u>	<u>Description</u>	<u>GX240K1</u>	<u>Serial Numbers</u>
012	36100-ZH7-003	SWITCH ASSY., ENGINE STOP	(1)	3566260
013	81329-567-020	GROMMET, DRAIN HOLE	1	3116814
013	81329-567-020	GROMMET, DRAIN HOLE	(1)	
014	90013-883-000	BOLT, FLANGE, 6X12 (CT200)	8	3116814
014	90013-883-000	BOLT, FLANGE, 6X12 (CT200)	6	3116815
014	90013-883-000	BOLT, FLANGE, 6X12 (CT200)	8	3116814
016	90684-ZA0-601	CLIP, HARNESS	1	3132286
016	90684-ZA0-601	CLIP, HARNESS	(1)	

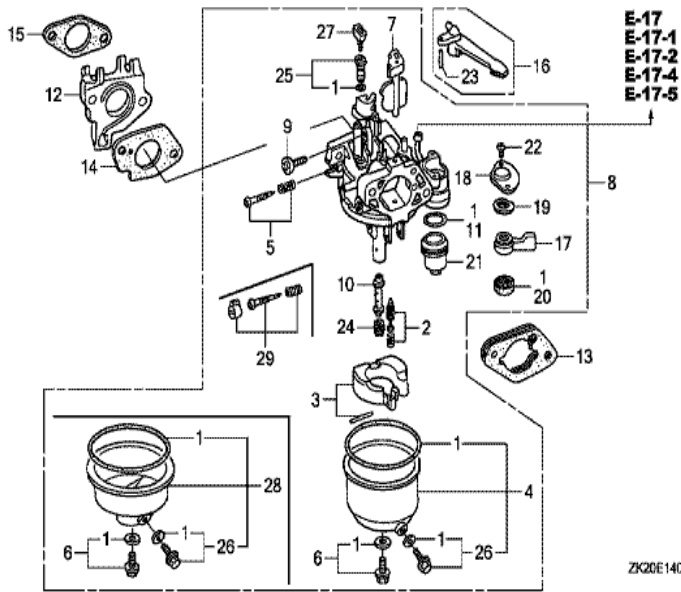


ZK20-E1400C



Ref	Partnumber	Description	GX240K1	Serial Numbers
001	16010-ZE2-015	GASKET SET	1	
001	16010-ZE2-015	GASKET SET	(1)	
002	16011-ZA0-931	VALVE SET, FLOAT	1	
002	16011-ZA0-931	VALVE SET, FLOAT	(1)	
003	16013-ZA0-931	FLOAT SET	1	
003	16013-ZA0-931	FLOAT SET	(1)	
004	16015-ZE8-005	CHAMBER SET, FLOAT	1	
004	16015-ZE8-005	CHAMBER SET, FLOAT	(1)	
005	16016-ZE0-005	SCREW SET, PILOT	1	
005	16016-ZE0-005	SCREW SET, PILOT	(1)	
006	16028-ZE0-005	SCREW SET	1	
006	16028-ZE0-005	SCREW SET	(1)	
007	16100-ZE2-W20	CARBURETOR ASSY. (BE15F A)	1	3455474

<u>Ref</u>	<u>Partnumber</u>	<u>Description</u>	<u>GX240K1</u>	<u>Serial Numbers</u>
007	16100-ZE2-W20	CARBURETOR ASSY. (BE15F A)	(1)	3455474
007	16100-ZE2-W21	CARBURETOR ASSY. (BE15F B)	1	3455475
007	16100-ZE2-W21	CARBURETOR ASSY. (BE15F B)	(1)	3455475
008	16124-ZE0-005	SCREW, THROTTLE STOP	1	
008	16124-ZE0-005	SCREW, THROTTLE STOP	(1)	
009	16166-ZE2-015	NOZZLE, MAIN	1	
009	16166-ZE2-015	NOZZLE, MAIN	(1)	
010	16211-ZE2-000	INSULATOR, CARBURETOR	(1)	4926607
010	16211-ZE2-000	INSULATOR, CARBURETOR	(1)	
011	16221-ZA0-800	PACKING, CARBURETOR	1	
011	16221-ZA0-800	PACKING, CARBURETOR	(1)	
012	16223-ZA0-800	PACKING, INSULATOR	1	
012	16223-ZA0-800	PACKING, INSULATOR	(1)	
013	16953-ZE1-811	LEVER, COCK	1	BE15F A
013	16953-ZE1-811	LEVER, COCK	(1)	BE15F A
013	16953-ZE1-812	LEVER, COCK	(1)	BE15F B
013	16953-ZE1-812	LEVER, COCK	(1)	BE15F B
014	16954-ZE1-812	PLATE, LEVER SETTING	1	
014	16954-ZE1-812	PLATE, LEVER SETTING	(1)	
015	16956-ZE1-811	SPRING, COCK LEVER	1	
015	16956-ZE1-811	SPRING, COCK LEVER	(1)	
016	16957-ZE1-812	PACKING, FUEL COCK	1	
016	16957-ZE1-812	PACKING, FUEL COCK	(1)	
017	93500-030061H	SCREW, PAN, 3X6	2	BE15F B
017	93500-030061H	SCREW, PAN, 3X6	(2)	BE15F B
017	93500-030081G	SCREW, PAN, 3X8	2	BE15F A
017	93500-030081G	SCREW, PAN, 3X8	(2)	BE15F A
018	99101-ZF50800	JET, MAIN, #80	(1)	BE15F A
018	99101-ZF50820	JET, MAIN, #82	(1)	BE15F A
018	99101-ZF50820	JET, MAIN, #82	(1)	BE15F A
018	99101-ZF50850	JET, MAIN, #85	1	BE15F A
018	99101-ZF50850	JET, MAIN, #85	(1)	BE15F A
018	99101-ZH80800	JET, MAIN, #80	(1)	BE15F B
<u>Ref</u>	<u>Partnumber</u>	<u>Description</u>	<u>GX240K1</u>	<u>Serial Numbers</u>
018	99101-ZH80800	JET, MAIN, #80	(1)	BE15F B
018	99101-ZH80820	JET, MAIN, #82	(1)	
018	99101-ZH80820	JET, MAIN, #82	(1)	BE15F B
018	99101-ZH80850	JET, MAIN, #85	1	BE15F B
018	99101-ZH80850	JET, MAIN, #85	1	BE15F B
019	99204-ZE00380	JET SET, PILOT, #38	1	BE15F B
019	99204-ZE00380	JET SET, PILOT, #38	(1)	BE15F B
019	99204-ZE20380	JET SET, PILOT, #38	1	BE15F A
019	99204-ZE20380	JET SET, PILOT, #38	(1)	BE15F A
020	16044-ZE2-005	CHOKE SET	1	
020	16044-ZE2-005	CHOKE SET	(1)	
021	16220-ZA0-702	SPACER COMP., CARBURETOR	1	
021	16220-ZA0-702	SPACER COMP., CARBURETOR	(1)	
022	16610-ZE1-000	LEVER COMP., CHOKE (STD.)	1	
022	16610-ZE1-000	LEVER COMP., CHOKE (STD.)	(1)	
023	94305-20122	PIN, SPRING, 2X12	1	
023	94305-20122	PIN, SPRING, 2X12	(1)	



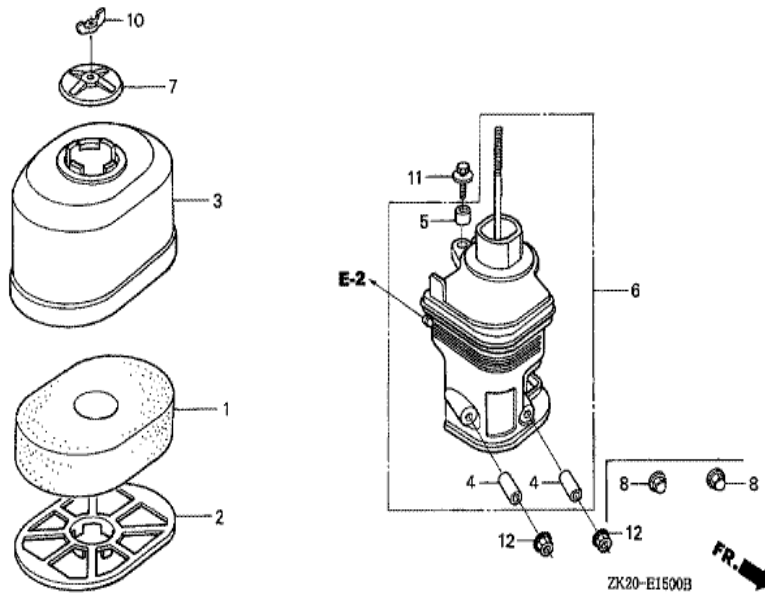
FR. →

ZK20E1403E

Ref	Partnumber	Description	GX240K1	Serial Numbers
001	16010-ZE2-812	GASKET SET	1	
001	16010-ZE2-812	GASKET SET	(1)	
002	16011-ZA0-931	VALVE SET, FLOAT	1	
002	16011-ZA0-931	VALVE SET, FLOAT	(1)	
003	16013-ZA0-931	FLOAT SET	1	
003	16013-ZA0-931	FLOAT SET	(1)	
004	16015-ZE2-005	CHAMBER SET, FLOAT	(1)	BE15G A
004	16015-ZE2-005	CHAMBER SET, FLOAT	(1)	BE15G A
005	16016-ZE0-005	SCREW SET, PILOT	(1)	
005	16016-ZE0-005	SCREW SET, PILOT	(1)	BE15G B
006	16028-ZE0-005	SCREW SET	1	
006	16028-ZE0-005	SCREW SET	(1)	
007	16044-ZE2-005	CHOKE SET	1	

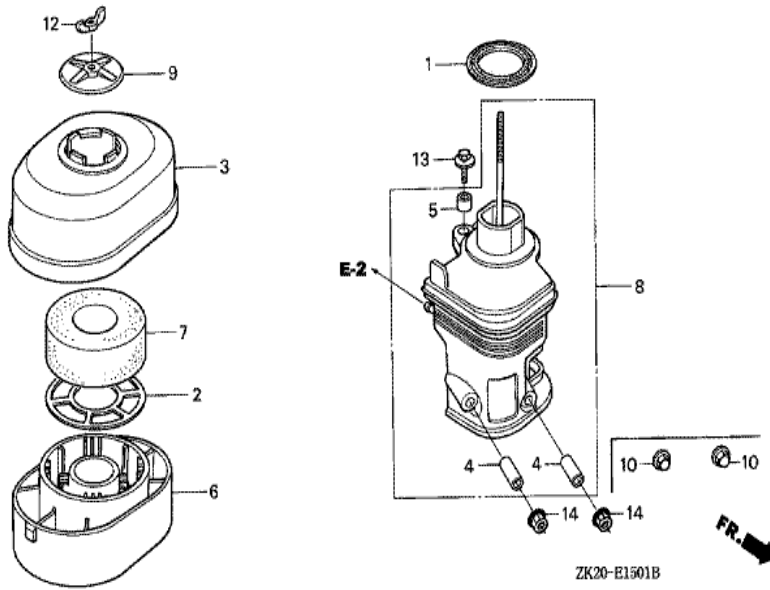
<u>Ref</u>	<u>Partnumber</u>	<u>Description</u>	<u>GX240K1</u>	<u>Serial Numbers</u>
007	16044-ZE2-005	CHOKE SET	(1)	
008	16100-ZE2-W10	CARBURETOR ASSY. (BE16D A)	1	3453913
008	16100-ZE2-W10	CARBURETOR ASSY. (BE16D A)	(1)	3453913
008	16100-ZE2-W11	CARBURETOR ASSY. (BE16D B)	1	
008	16100-ZE2-W11	CARBURETOR ASSY. (BE16D B)	(1)	3453914
008	16100-ZE2-W30	CARBURETOR ASSY. (BE15G A)	1	
008	16100-ZE2-W30	CARBURETOR ASSY. (BE15G A)	(1)	3453255
008	16100-ZE2-W31	CARBURETOR ASSY. (BE15G B)	1	3453256
008	16100-ZE2-W31	CARBURETOR ASSY. (BE15G B)	(1)	3453256
009	16124-ZE0-005	SCREW, THROTTLE STOP	1	
009	16124-ZE0-005	SCREW, THROTTLE STOP	(1)	
010	16166-ZE2-015	NOZZLE, MAIN	1	
010	16166-ZE2-015	NOZZLE, MAIN	(1)	
011	16173-001-004	PACKING, FUEL STRAINER CUP	(1)	
011	16173-001-004	PACKING, FUEL STRAINER CUP	(1)	
012	16211-ZE2-000	INSULATOR, CARBURETOR	1	4926607
013	16220-ZA0-702	SPACER COMP., CARBURETOR	1	
013	16220-ZA0-702	SPACER COMP., CARBURETOR	(1)	
014	16221-ZA0-700	PACKING, CARBURETOR	1	3151974
014	16221-ZA0-700	PACKING, CARBURETOR	(1)	3151974
014	16221-ZA0-800	PACKING, CARBURETOR	(1)	
014	16221-ZA0-800	PACKING, CARBURETOR	(1)	
015	16223-ZA0-700	PACKING, INSULATOR	1	3151974
015	16223-ZA0-700	PACKING, INSULATOR	(1)	3151974
015	16223-ZA0-800	PACKING, INSULATOR	1	3151975
015	16223-ZA0-800	PACKING, INSULATOR	(1)	3151975
016	16610-ZE1-000	LEVER COMP., CHOKE (STD.)	1	
016	16610-ZE1-000	LEVER COMP., CHOKE (STD.)	(1)	
017	16953-ZE1-811	LEVER, COCK	1	BE16D A
017	16953-ZE1-811	LEVER, COCK	(1)	BE16D A
017	16953-ZE1-812	LEVER, COCK	1	BE16D B
017	16953-ZE1-812	LEVER, COCK	(1)	BE16D B
018	16954-ZE1-812	PLATE, LEVER SETTING	1	BE70A B

<u>Ref</u>	<u>Partnumber</u>	<u>Description</u>	<u>GX240K1</u>	<u>Serial Numbers</u>
018	16954-ZE1-812	PLATE, LEVER SETTING	(1)	
019	16956-ZE1-811	SPRING, COCK LEVER	(1)	
019	16956-ZE1-811	SPRING, COCK LEVER	(1)	
020	16957-ZE1-812	PACKING, FUEL COCK	1	
020	16957-ZE1-812	PACKING, FUEL COCK	(1)	
021	16967-ZE0-811	CUP, FUEL STRAINER	1	
021	16967-ZE0-811	CUP, FUEL STRAINER	(1)	
022	93500-030061H	SCREW, PAN, 3X6	2	BE16D B
022	93500-030061H	SCREW, PAN, 3X6	(2)	BE15G B
022	93500-030081G	SCREW, PAN, 3X8	2	BE15G A
022	93500-030081G	SCREW, PAN, 3X8	(2)	BE15G A
023	94305-20122	PIN, SPRING, 2X12	1	
023	94305-20122	PIN, SPRING, 2X12	(1)	
024	99101-ZF50800	JET, MAIN, #80	(1)	BE15G A
024	99101-ZF50800	JET, MAIN, #80	(1)	BE15G A
024	99101-ZF50820	JET, MAIN, #82	(1)	BE15G A
024	99101-ZF50820	JET, MAIN, #82	(1)	BE15G A
024	99101-ZF50850	JET, MAIN, #85	1	BE15G A
024	99101-ZF50850	JET, MAIN, #85	1	BE15G A
024	99101-ZF50880	JET, MAIN, #88	(1)	BE16D A
024	99101-ZF50880	JET, MAIN, #88	(1)	BE16D A
024	99101-ZF50900	JET, MAIN, #90	(1)	BE16D A
024	99101-ZF50900	JET, MAIN, #90	(1)	BE16D A
024	99101-ZF50920	JET, MAIN, #92	1	BE16D A
024	99101-ZF50920	JET, MAIN, #92	1	BE16D A
024	99101-ZH80800	JET, MAIN, #80	(1)	BE15G B
024	99101-ZH80800	JET, MAIN, #80	(1)	BE15G B
024	99101-ZH80820	JET, MAIN, #82	(1)	BE15G B
024	99101-ZH80820	JET, MAIN, #82	(1)	BE15G B
024	99101-ZH80850	JET, MAIN, #85	1	BE15G B BE15G B
024	99101-ZH80850	JET, MAIN, #85	(1)	
024	99101-ZH80850	JET, MAIN, #85	(1)	BE15G B
024	99101-ZH80880	JET, MAIN, #88	(1)	BE16D B
<u>Ref</u>	<u>Partnumber</u>	<u>Description</u>	<u>GX240K1</u>	<u>Serial Numbers</u>
024	99101-ZH80880	JET, MAIN, #88	(1)	BE16D B
024	99101-ZH80900	JET, MAIN, #90	(1)	BE16D B
024	99101-ZH80920	JET, MAIN, #92	1	BE16D B
024	99101-ZH80920	JET, MAIN, #92	(1)	BE16D B
025	99204-ZE00380	JET SET, PILOT, #38	1	BE16D B
025	99204-ZE00380	JET SET, PILOT, #38	(1)	
025	99204-ZE20380	JET SET, PILOT, #38	1	
025	99204-ZE20380	JET SET, PILOT, #38	(1)	
028	16015-ZE8-005	CHAMBER SET, FLOAT	1	BE70B B
028	16015-ZE8-005	CHAMBER SET, FLOAT	(1)	BE15G B

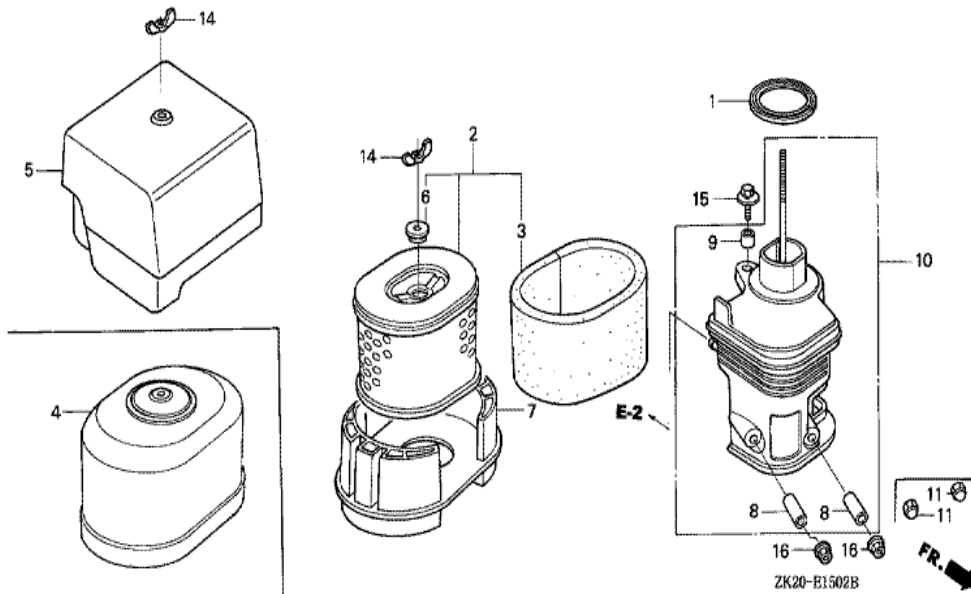


Ref	Partnumber	Description	GX240K1	Serial Numbers
001	17211-ZE2-000	ELEMENT, AIR CLEANER (SEMI DRY)	1	
001	17211-ZE2-000	ELEMENT, AIR CLEANER (SEMI DRY)	(1)	
002	17212-ZE2-000	GRID, AIR CLEANER	1	
002	17212-ZE2-000	GRID, AIR CLEANER	(1)	
003	17231-ZE2-000	COVER, AIR CLEANER (SEMI DRY)	1	
003	17231-ZE2-000	COVER, AIR CLEANER (SEMI DRY)	(1)	
004	17238-ZE2-310	COLLAR, AIR CLEANER	2	
004	17238-ZE2-310	COLLAR, AIR CLEANER	(2)	
005	17239-ZE1-000	COLLAR B, AIR CLEANER	1	
005	17239-ZE1-000	COLLAR B, AIR CLEANER	(1)	
006	17410-ZE2-020	ELBOW COMP., AIR CLEANER	1	
006	17410-ZE2-020	ELBOW COMP., AIR CLEANER	(1)	
007	17420-ZE2-000	CAP COMP., AIR CLEANER	1	
Ref	Partnumber	Description	GX240K1	Serial Numbers
007	17420-ZE2-000	CAP COMP., AIR CLEANER	(1)	
008	90201-415-000	NUT, CAP, 6MM	2	3165927
008	90201-415-000	NUT, CAP, 6MM	2	3165927
010	90325-044-000	NUT, TOOL BOX SETTING	(1)	
010	90325-044-000	NUT, TOOL BOX SETTING	(1)	
011	93494-0602008	BOLT-WASHER, 6X20	1	
011	93494-0602008	BOLT-WASHER, 6X20	1	
012	94050-06000	NUT, FLANGE, 6MM	2	
012	94050-06000	NUT, FLANGE, 6MM	2	3165928

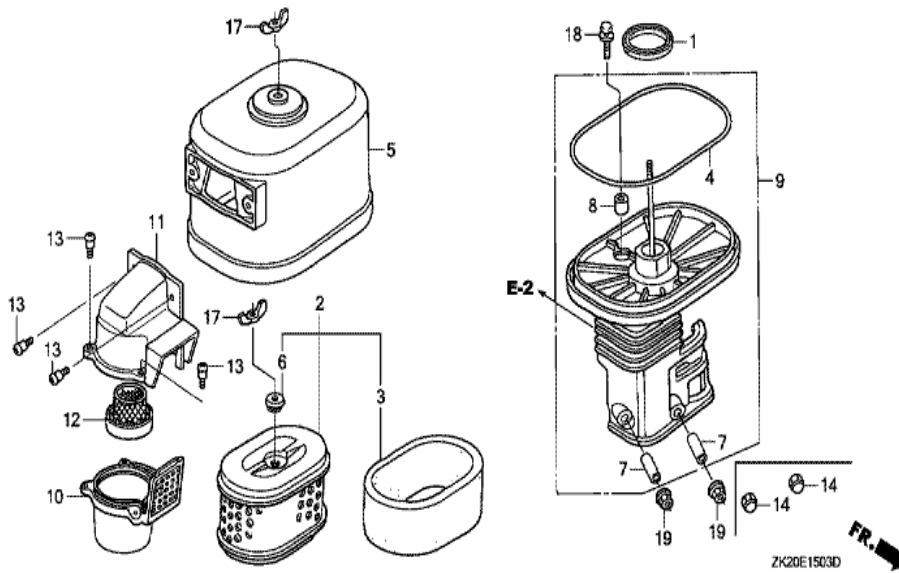




Ref	Partnumber	Description	GX240K1	Serial Numbers
001	16271-ZE2-000	PACKING, ELBOW	1	
001	16271-ZE2-000	PACKING, ELBOW	(1)	
002	17212-ZE2-810	GRID, AIR CLEANER (OIL BATH)	1	
002	17212-ZE2-810	GRID, AIR CLEANER (OIL BATH)	(1)	
003	17231-ZE2-810	COVER, AIR CLEANER (OIL BATH)	(1)	
003	17231-ZE2-810	COVER, AIR CLEANER (OIL BATH)	(1)	
004	17238-ZE2-310	COLLAR, AIR CLEANER	2	
004	17238-ZE2-310	COLLAR, AIR CLEANER	(2)	
005	17239-ZE1-000	COLLAR B, AIR CLEANER	1	
005	17239-ZE1-000	COLLAR B, AIR CLEANER	(1)	
006	17402-ZE2-810	PAN, CLEANER OIL (OIL BATH)	1	
006	17402-ZE2-810	PAN, CLEANER OIL (OIL BATH)	(1)	
007	17403-ZE2-810	ELEMENT, AIR CLEANER (OIL BATH)	1	
<u>Ref</u>	<u>Partnumber</u>	<u>Description</u>	<u>GX240K1</u>	<u>Serial Numbers</u>
007	17403-ZE2-810	ELEMENT, AIR CLEANER (OIL BATH)	(1)	
008	17410-ZE2-020	ELBOW COMP., AIR CLEANER	(1)	
008	17410-ZE2-020	ELBOW COMP., AIR CLEANER	(1)	
009	17420-ZE2-000	CAP COMP., AIR CLEANER	1	
009	17420-ZE2-000	CAP COMP., AIR CLEANER	(1)	
010	90201-415-000	NUT, CAP, 6MM	2	3165927
012	90325-044-000	NUT, TOOL BOX SETTING	1	
012	90325-044-000	NUT, TOOL BOX SETTING	(1)	
013	93494-0602008	BOLT-WASHER, 6X20	1	
013	93494-0602008	BOLT-WASHER, 6X20	1	
014	94050-06000	NUT, FLANGE, 6MM	2	3165928
014	94050-06000	NUT, FLANGE, 6MM	2	3165928

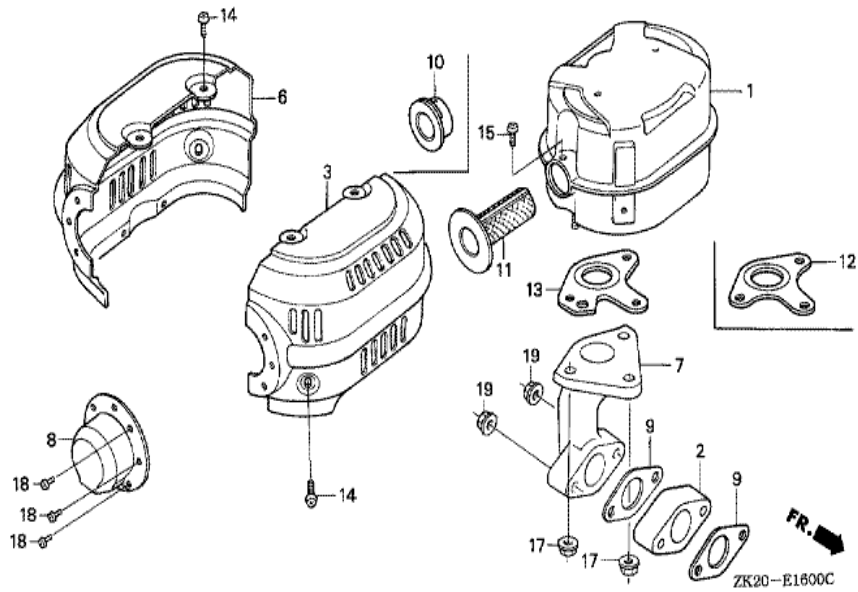


Ref	Partnumber	Description	GX240K1	Serial Numbers
001	16271-ZE2-000	PACKING, ELBOW	1	
001	16271-ZE2-000	PACKING, ELBOW	(1)	
002	17210-ZE2-822	ELEMENT, AIR CLEANER (DUAL)	1	
002	17210-ZE2-822	ELEMENT, AIR CLEANER (DUAL)	(1)	
003	17218-ZE2-821	FILTER, OUTER	1	
003	17218-ZE2-821	FILTER, OUTER	(1)	
004	17230-ZE2-820	COVER, AIR CLEANER (DUAL)	1	
004	17230-ZE2-820	COVER, AIR CLEANER (DUAL)	(1)	
005	17231-ZH9-820	COVER, AIR CLEANER	1	
005	17231-ZH9-820	COVER, AIR CLEANER	(1)	
006	17232-891-000	GROMMET, AIR CLEANER	1	
006	17232-891-000	GROMMET, AIR CLEANER	(1)	
007	17235-ZE2-820	NOSE, SILENCER	1	
<u>Ref</u>	<u>Partnumber</u>	<u>Description</u>	<u>GX240K1</u>	<u>Serial Numbers</u>
007	17235-ZE2-820	NOSE, SILENCER	(1)	
008	17238-ZE2-310	COLLAR, AIR CLEANER	2	
008	17238-ZE2-310	COLLAR, AIR CLEANER	(2)	
009	17239-ZE1-000	COLLAR B, AIR CLEANER	1	
009	17239-ZE1-000	COLLAR B, AIR CLEANER	(1)	
010	17410-ZE2-020	ELBOW COMP., AIR CLEANER	1	
010	17410-ZE2-020	ELBOW COMP., AIR CLEANER	(1)	
011	90201-415-000	NUT, CAP, 6MM	2	3165927
011	90201-415-000	NUT, CAP, 6MM	2	3165927
014	90325-044-000	NUT, TOOL BOX SETTING	2	
014	90325-044-000	NUT, TOOL BOX SETTING	(2)	
015	93494-0602008	BOLT-WASHER, 6X20	1	
015	93494-0602008	BOLT-WASHER, 6X20	1	
016	94050-06000	NUT, FLANGE, 6MM	2	
016	94050-06000	NUT, FLANGE, 6MM	2	3165928



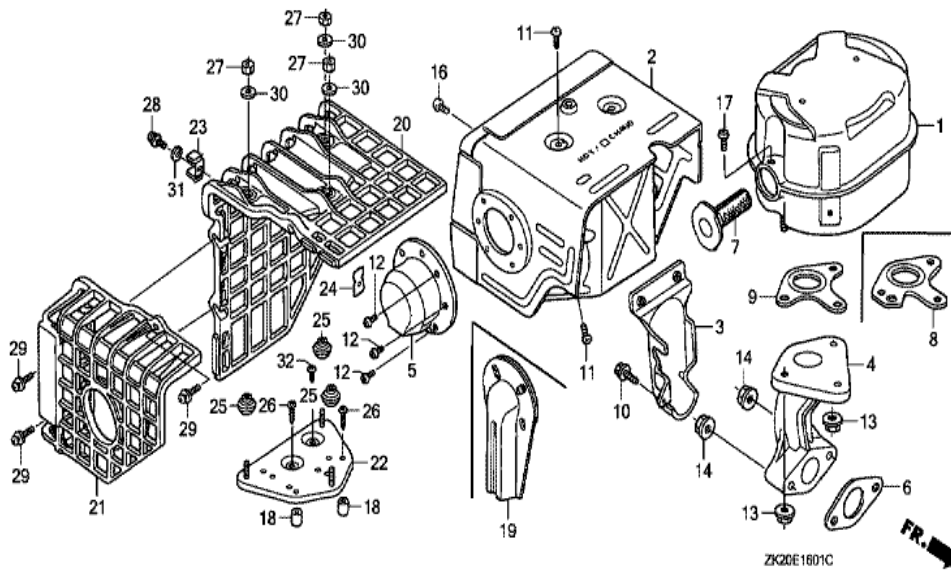
Ref	Partnumber	Description	GX240K1	Serial Numbers
001	16271-ZE2-000	PACKING, ELBOW	1	
001	16271-ZE2-000	PACKING, ELBOW	(1)	
002	17210-ZE3-010	ELEMENT, AIR CLEANER	1	
002	17210-ZE3-010	ELEMENT, AIR CLEANER	(1)	
003	17218-ZE3-000	FILTER, OUTER	1	
003	17218-ZE3-000	FILTER, OUTER	(1)	
004	17219-ZE3-840	PACKING, AIR CLEANER COVER	1	
004	17219-ZE3-840	PACKING, AIR CLEANER COVER	(1)	
005	17230-ZE3-841	COVER COMP., AIR CLEANER (CYCLONE)	1	
005	17230-ZE3-841	COVER COMP., AIR CLEANER (CYCLONE)	(1)	
006	17232-891-000	GROMMET, AIR CLEANER	(1)	
006	17232-891-000	GROMMET, AIR CLEANER	(1)	
007	17238-ZE2-310	COLLAR, AIR CLEANER	2	

<u>Ref</u>	<u>Partnumber</u>	<u>Description</u>	<u>GX240K1</u>	<u>Serial Numbers</u>
007	17238-ZE2-310	COLLAR, AIR CLEANER	(2)	
008	17239-ZE3-840	COLLAR B, AIR CLEANER	1	
008	17239-ZE3-840	COLLAR B, AIR CLEANER	(1)	
009	17410-ZE3-840	ELBOW COMP., AIR CLEANER	1	
009	17410-ZE3-840	ELBOW COMP., AIR CLEANER	(1)	
010	17470-ZE3-841	CASE COMP., PRE AIR CLEANER	1	
010	17470-ZE3-841	CASE COMP., PRE AIR CLEANER	(1)	
011	17475-ZE3-841	CAP, PRE AIR CLEANER	1	
011	17475-ZE3-841	CAP, PRE AIR CLEANER	(1)	
012	17476-ZE3-841	GUIDE, PRE AIR CLEANER	1	
012	17476-ZE3-841	GUIDE, PRE AIR CLEANER	(1)	
013	90142-MB0-000	SCREW, PAN, 5X16.5	5	
013	90142-MB0-000	SCREW, PAN, 5X16.5	(5)	
014	90201-415-000	NUT, CAP, 6MM	2	3165927
017	90325-044-000	NUT, TOOL BOX SETTING	2	
017	90325-044-000	NUT, TOOL BOX SETTING	(2)	
018	93494-0602008	BOLT-WASHER, 6X20	1	
018	93494-0602008	BOLT-WASHER, 6X20	1	
019	94050-06000	NUT, FLANGE, 6MM	2	3165928
019	94050-06000	NUT, FLANGE, 6MM	2	3165928



Ref	Partnumber	Description	GX240K1	Serial Numbers
001	18310-ZE2-013	MUFFLER COMP.	1	
001	18310-ZE2-013	MUFFLER COMP.	(1)	
001	18310-ZE2-822	MUFFLER COMP. (SILENT)	1	
001	18310-ZE2-822	MUFFLER COMP. (SILENT)	(1)	
003	18320-ZE2-821	PROTECTOR, R. MUFFLER (SILENT)	1	3217995
003	18320-ZE2-821	PROTECTOR, R. MUFFLER (SILENT)	(1)	3217995
003	18320-ZE2-G30	PROTECTOR, R. MUFFLER (ALUMINIZED)	(1)	
003	18320-ZE2-G30	PROTECTOR, R. MUFFLER (ALUMINIZED)	(1)	
003	18320-ZE2-P50	PROTECTOR, R. MUFFLER (SILENT)	1	3217996
003	18320-ZE2-P50	PROTECTOR, R. MUFFLER (SILENT)	(1)	3217996
006	18325-ZE2-821	PROTECTOR, L. MUFFLER (SILENT)	1	3217995
006	18325-ZE2-821	PROTECTOR, L. MUFFLER (SILENT)	(1)	3217995
006	18325-ZE2-G30	PROTECTOR, L. MUFFLER (ALUMINIZED)	(1)	

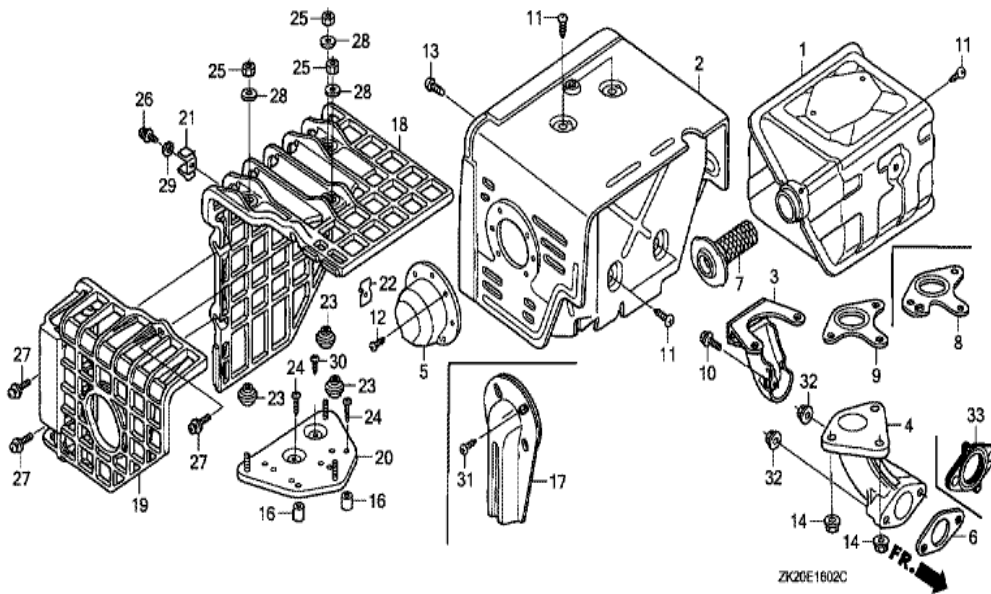
<u>Ref</u>	<u>Partnumber</u>	<u>Description</u>	<u>GX240K1</u>	<u>Serial Numbers</u>
006	18325-ZE2-G30	PROTECTOR, L. MUFFLER (ALUMINIZED)	(1)	
006	18325-ZE2-P50	PROTECTOR, L. MUFFLER (SILENT)	1	3217996
006	18325-ZE2-P50	PROTECTOR, L. MUFFLER (SILENT)	(1)	3217996
007	18330-ZE2-000	PIPE, EX.	(1)	
007	18330-ZE2-000	PIPE, EX.	(1)	
009	18333-ZE3-800	GASKET, EX. PIPE	2	
009	18333-ZE3-800	GASKET, EX. PIPE	(1)	
010	18336-ZE2-000	FLANGE COMP., BAFFLE	1	
010	18336-ZE2-000	FLANGE COMP., BAFFLE	(1)	
011	18355-ZE2-010	ARRESTER, SPARK	1	
011	18355-ZE2-010	ARRESTER, SPARK	(1)	
012	18381-ZE2-800	GASKET, MUFFLER (NIPPON LEAKLESS)	1	
012	18381-ZE2-800	GASKET, MUFFLER (NIPPON LEAKLESS)	(1)	
013	18381-ZE2-W10	GASKET, MUFFLER (ARRESTER) (NIPPON LEAKL	1	
013	18381-ZE2-W10	GASKET, MUFFLER (ARRESTER) (NIPPON LEAKL	(1)	
014	90050-ZE1-000	SCREW, TAPPING, 5X8	6	3217995
014	90050-ZE1-000	SCREW, TAPPING, 5X8	(6)	3217995
014	90050-ZE3-H00	SCREW, TAPPING, 5X8	(6)	3217996
014	90050-ZE3-H00	SCREW, TAPPING, 5X8	(6)	3217996
015	90050-ZE1-000	SCREW, TAPPING, 5X8	1	
015	90050-ZE1-000	SCREW, TAPPING, 5X8	(1)	
015	90055-ZE1-000	SCREW, TAPPING, 4X6	1	
015	90055-ZE1-000	SCREW, TAPPING, 4X6	(1)	
017	94050-08000	NUT, FLANGE, 8MM	3	
017	94050-08000	NUT, FLANGE, 8MM	(3)	
019	94050-08000	NUT, FLANGE, 8MM	(2)	
019	94050-08000	NUT, FLANGE, 8MM	(2)	



Ref	Partnumber	Description	GX240K1	Serial Numbers
001	18310-ZE2-W00	MUFFLER COMP.	1	
001	18310-ZE2-W00	MUFFLER COMP.	(1)	
002	18320-ZE2-W01	PROTECTOR COMP., MUFFLER (STD.)	1	
002	18320-ZE2-W01	PROTECTOR COMP., MUFFLER (STD.)	(1)	
003	18323-ZE2-W00	PROTECTOR, EX. PIPE	1	
003	18323-ZE2-W00	PROTECTOR, EX. PIPE	(1)	
004	18330-ZE2-W00	PIPE, EX.	1	
004	18330-ZE2-W00	PIPE, EX.	(1)	
005	18331-ZE2-810	CAP, MUFFLER	1	
005	18331-ZE2-810	CAP, MUFFLER	(1)	
006	18333-ZE3-800	GASKET, EX. PIPE	(1)	
006	18333-ZE3-800	GASKET, EX. PIPE	(1)	
007	18355-ZE2-010	ARRESTER, SPARK	(1)	

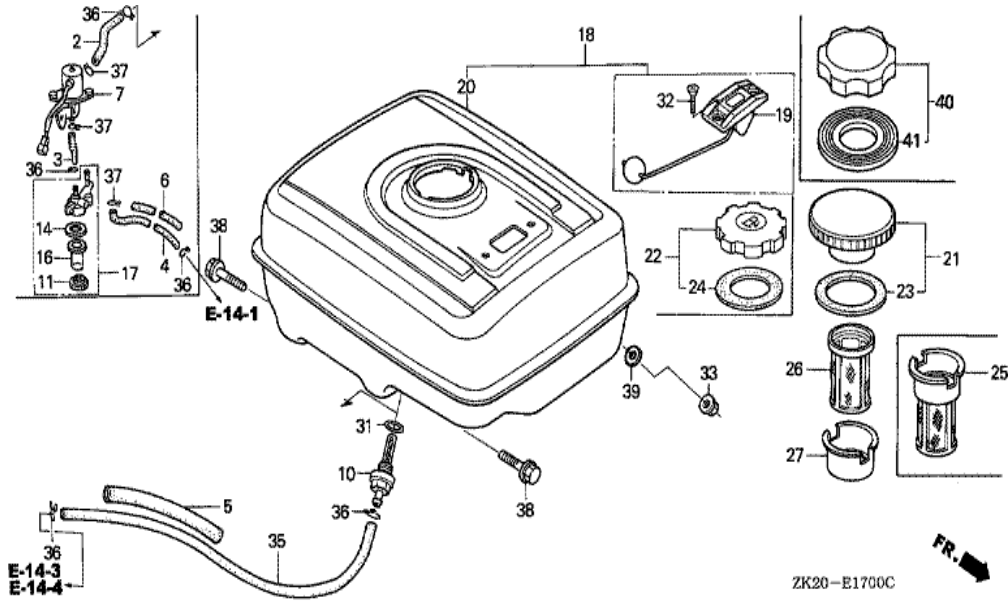
<u>Ref</u>	<u>Partnumber</u>	<u>Description</u>	<u>GX240K1</u>	<u>Serial Numbers</u>
007	18355-ZE2-010	ARRESTER, SPARK	(1)	
008	18381-ZE2-W10	GASKET, MUFFLER (ARRESTER) (NIPPON LEAKL	1	
008	18381-ZE2-W10	GASKET, MUFFLER (ARRESTER) (NIPPON LEAKL	(1)	
009	18381-ZE2-800	GASKET, MUFFLER (NIPPON LEAKLESS)	1	
009	18381-ZE2-800	GASKET, MUFFLER (NIPPON LEAKLESS)	(1)	
010	90013-883-000	BOLT, FLANGE, 6X12 (CT200)	1	
010	90013-883-000	BOLT, FLANGE, 6X12 (CT200)	(1)	
011	90050-ZE1-000	SCREW, TAPPING, 5X8	4	
011	90050-ZE1-000	SCREW, TAPPING, 5X8	(4)	
012	90055-ZE1-000	SCREW, TAPPING, 4X6	3	
012	90055-ZE1-000	SCREW, TAPPING, 4X6	(3)	
013	94050-08000	NUT, FLANGE, 8MM	3	
013	94050-08000	NUT, FLANGE, 8MM	(3)	
014	94050-08000	NUT, FLANGE, 8MM	2	
014	94050-08000	NUT, FLANGE, 8MM	(2)	
016	90050-ZE1-000	SCREW, TAPPING, 5X8	2	
016	90050-ZE1-000	SCREW, TAPPING, 5X8	(2)	
017	90050-ZE1-000	SCREW, TAPPING, 5X8	1	
017	90050-ZE1-000	SCREW, TAPPING, 5X8	(1)	





Ref	Partnumber	Description	GX240K1	Serial Numbers
001	18310-ZE2-W61	MUFFLER COMP. (100DB)	1	
001	18310-ZE2-W61	MUFFLER COMP. (100DB)	(1)	
002	18320-ZE2-W61	PROTECTOR COMP., MUFFLER	1	
002	18320-ZE2-W61	PROTECTOR COMP., MUFFLER	(1)	
003	18323-ZE2-W60	PROTECTOR, EX. PIPE (100DB)	(1)	
004	18330-ZH9-N00	PIPE, EX.	1	
004	18330-ZH9-N00	PIPE, EX.	(1)	
005	18331-ZE2-810	CAP, MUFFLER	1	
005	18331-ZE2-810	CAP, MUFFLER	(1)	
006	18333-ZE3-800	GASKET, EX. PIPE	1	3486453
006	18333-ZE3-800	GASKET, EX. PIPE	(1)	3486453
006	18333-ZK6-Y00	GASKET, EX. PIPE	1	3486454
006	18333-ZK6-Y00	GASKET, EX. PIPE	(1)	3486454

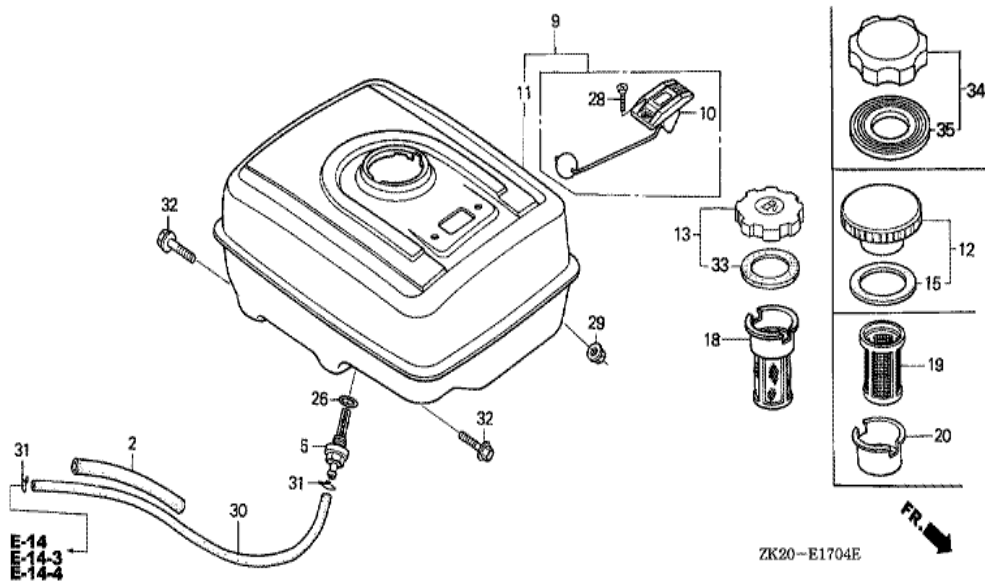
<u>Ref</u>	<u>Partnumber</u>	<u>Description</u>	<u>GX240K1</u>	<u>Serial Numbers</u>
007	18355-ZE2-W00	ARRESTER, SPARK	1	
007	18355-ZE2-W00	ARRESTER, SPARK	(1)	
008	18381-ZE2-W10	GASKET, MUFFLER (ARRESTER) (NIPPON LEAKL	1	
008	18381-ZE2-W10	GASKET, MUFFLER (ARRESTER) (NIPPON LEAKL	(1)	
009	18381-ZE2-800	GASKET, MUFFLER (NIPPON LEAKLESS)	1	
009	18381-ZE2-800	GASKET, MUFFLER (NIPPON LEAKLESS)	(1)	
010	90013-883-000	BOLT, FLANGE, 6X12 (CT200)	(1)	
011	90050-ZE1-000	SCREW, TAPPING, 5X8	4	
011	90050-ZE1-000	SCREW, TAPPING, 5X8	(5)	
012	90055-ZE1-000	SCREW, TAPPING, 4X6	3	
012	90055-ZE1-000	SCREW, TAPPING, 4X6	(3)	
013	90006-ZE2-000	SCREW, TAPPING, 6X10	(1)	3151975
013	90006-ZE2-000	SCREW, TAPPING, 6X10	(1)	3151975
013	93901-360JO	SCREW, TAPPING, 6X10	1	3151974
013	93901-360JO	SCREW, TAPPING, 6X10	(1)	3151974
014	94050-08000	NUT, FLANGE, 8MM	3	
014	94050-08000	NUT, FLANGE, 8MM	(3)	
032	94050-08000	NUT, FLANGE, 8MM	2	
032	94050-08000	NUT, FLANGE, 8MM	(2)	



ZK20-E1700C

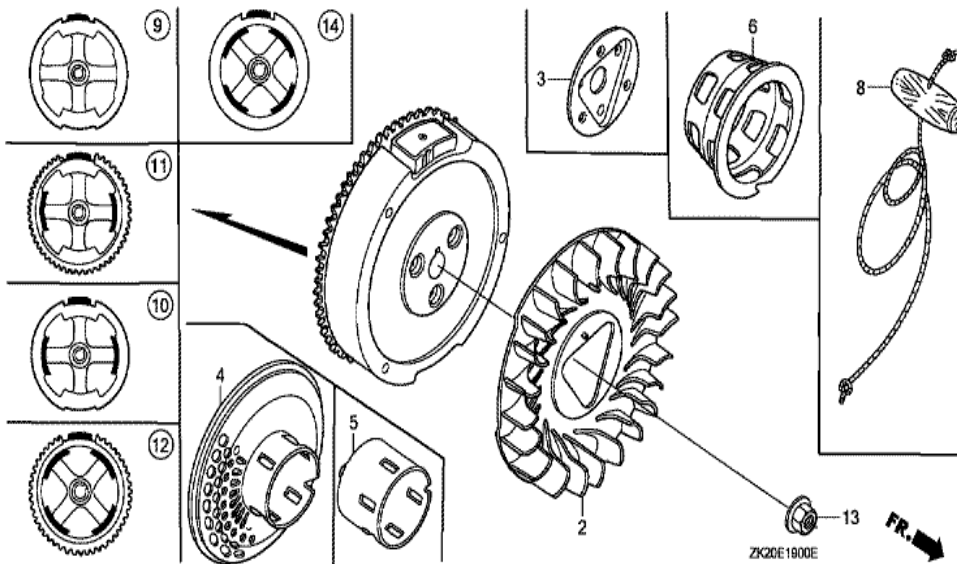
Ref	Partnumber	Description	GX240K1	Serial Numbers
005	16854-ZE1-000	RUBBER, SUPPORTER (107MM)	1	3033265
005	16854-ZE1-000	RUBBER, SUPPORTER (107MM)	(1)	3140234
005	16854-ZH8-000	RUBBER, SUPPORTER (107MM)	1	3033266
005	16854-ZH8-000	RUBBER, SUPPORTER (107MM)	(1)	3140235
010	16955-ZE1-000	JOINT, FUEL TANK	1	
010	16955-ZE1-000	JOINT, FUEL TANK	(1)	
018	17500-ZE2-811ZA	TANK ASSY., FUEL (GAUGE) *NH31 *	1	4583903
018	17500-ZE2-811ZA	TANK ASSY., FUEL (GAUGE) *NH31 *	(1)	
019	17505-ZE2-013	GAUGE ASSY., FUEL	1	
019	17505-ZE2-013	GAUGE ASSY., FUEL	(1)	
020	17510-ZE2-010ZA	TANK COMP., FUEL *NH31 *	1	4568628
020	17510-ZE2-010ZA	TANK COMP., FUEL *NH31 *	(1)	
021	17620-ZE2-W00	CAP COMP., FUEL FILLER (CHROME PLATED)	1	3254423

<u>Ref</u>	<u>Partnumber</u>	<u>Description</u>	<u>GX240K1</u>	<u>Serial Numbers</u>
021	17620-ZE2-W00	CAP COMP, FUEL FILLER (CHROME PLATED)	(1)	3254423
022	17620-ZH7-023	CAP COMP, FUEL FILLER (BLACK)	(1)	3254424
022	17620-ZH7-023	CAP COMP, FUEL FILLER (BLACK)	(1)	3254424
023	17631-329-003	PACKING, FUEL FILLER CAP (39X58X3)	1	3254423
023	17631-329-003	PACKING, FUEL FILLER CAP (39X58X3)	(1)	3254423
024	17631-ZH7-003	PACKING, FUEL FILLER CAP (39X58X3)	1	3254424
024	17631-ZH7-003	PACKING, FUEL FILLER CAP (39X58X3)	(1)	3254424
025	17672-ZE2-W01	FILTER, FUEL	1	3640465
025	17672-ZE2-W01	FILTER, FUEL	(1)	3640465
026	17672-880-000	FILTER, FUEL	1	3640465
026	17672-880-000	FILTER, FUEL	(1)	3118370 3190916
027	17673-893-000	HOLDER, FUEL FILTER	1	3640465
027	17673-893-000	HOLDER, FUEL FILTER	(1)	3118370 3190916
031	91353-671-004	O-RING, 14MM (NOK)	1	
031	91353-671-004	O-RING, 14MM (NOK)	(1)	
032	93600-050100A	SCREW, FLAT, 5X10	2	
032	93600-050100A	SCREW, FLAT, 5X10	(2)	
033	94050-08000	NUT, FLANGE, 8MM	2	
033	94050-08000	NUT, FLANGE, 8MM	(2)	
035	95001-4522240	TUBE, FUEL, 4.5X222 (95001-45001-60M)	1	
035	95001-4522240	TUBE, FUEL, 4.5X222 (95001-45001-60M)	(1)	
036	95002-02080	CLIP, TUBE (B8)	(2)	
036	95002-02080	CLIP, TUBE (B8)	(2)	
038	95701-0802500	BOLT, FLANGE, 8X25	2	
038	95701-0802500	BOLT, FLANGE, 8X25	(2)	

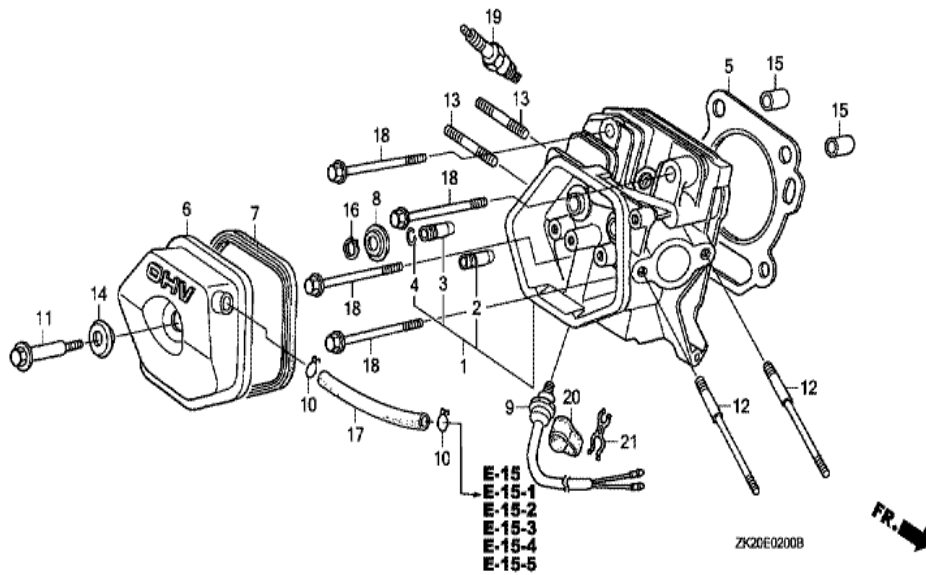


Ref	Partnumber	Description	GX240K1	Serial Numbers
002	16854-ZE1-000	RUBBER, SUPPORTER (107MM)	1	3033265
002	16854-ZE1-000	RUBBER, SUPPORTER (107MM)	(1)	3140234
002	16854-ZH8-000	RUBBER, SUPPORTER (107MM)	1	3411798
002	16854-ZH8-000	RUBBER, SUPPORTER (107MM)	(1)	3140235
005	16955-ZE1-000	JOINT, FUEL TANK	1	
005	16955-ZE1-000	JOINT, FUEL TANK	(1)	
009	17500-ZE2-811ZA	TANK ASSY., FUEL (GAUGE) *NH31 *	1	4475052 4583903
009	17500-ZE2-811ZA	TANK ASSY., FUEL (GAUGE) *NH31 *	(1)	
010	17505-ZE2-013	GAUGE ASSY., FUEL	1	4475052
010	17505-ZE2-013	GAUGE ASSY., FUEL	(1)	
011	17510-ZE2-010ZA	TANK COMP., FUEL *NH31 *	1	
011	17510-ZE2-010ZA	TANK COMP., FUEL *NH31 *	(1)	
012	17620-ZE2-W00	CAP COMP., FUEL FILLER (CHROME PLATED)	1	4495553

<u>Ref</u>	<u>Partnumber</u>	<u>Description</u>	<u>GX240K1</u>	<u>Serial Numbers</u>
012	17620-ZE2-W00	CAP COMP, FUEL FILLER (CHROME PLATED)	(1)	3254423
013	17620-ZH7-023	CAP COMP, FUEL FILLER (BLACK)	(1)	3254424
013	17620-ZH7-023	CAP COMP, FUEL FILLER (BLACK)	(1)	3254424
015	17631-329-003	PACKING, FUEL FILLER CAP (39X58X3)	1	
015	17631-329-003	PACKING, FUEL FILLER CAP (39X58X3)	(1)	3254423
018	17672-ZE2-W01	FILTER, FUEL	1	3200766
018	17672-ZE2-W01	FILTER, FUEL	(1)	3190916
019	17672-880-000	FILTER, FUEL	1	3118370 3190915
019	17672-880-000	FILTER, FUEL	(1)	3118370 3190915
020	17673-893-000	HOLDER, FUEL FILTER	1	3118370 3190915
020	17673-893-000	HOLDER, FUEL FILTER	1	3118370 3190915
026	91353-671-004	O-RING, 14MM (NOK)	1	
026	91353-671-004	O-RING, 14MM (NOK)	(1)	
028	93600-050100A	SCREW, FLAT, 5X10	2	4475052
028	93600-050100A	SCREW, FLAT, 5X10	(2)	
029	94050-08000	NUT, FLANGE, 8MM	2	
029	94050-08000	NUT, FLANGE, 8MM	(2)	
030	95001-4522240	TUBE, FUEL, 4.5X222 (95001-45001-60M)	1	
030	95001-4522240	TUBE, FUEL, 4.5X222 (95001-45001-60M)	(1)	
031	95002-02080	CLIP, TUBE (B8)	2	
031	95002-02080	CLIP, TUBE (B8)	(2)	
032	95701-0802500	BOLT, FLANGE, 8X25	2	
033	17631-ZH7-003	PACKING, FUEL FILLER CAP (39X58X3)	1	4495553
033	17631-ZH7-003	PACKING, FUEL FILLER CAP (39X58X3)	(1)	3254424



<u>Ref</u>	<u>Partnumber</u>	<u>Description</u>	<u>GX240K1</u>	<u>Serial Numbers</u>
002	19511-ZE2-000	FAN, COOLING	1	
004	28450-ZE2-W11	PULLEY COMP., STARTER (SCREEN GRID)	1	
004	28450-ZE2-W11	PULLEY COMP., STARTER (SCREEN GRID)	(1)	
005	28451-ZE2-W01	PULLEY, STARTER	1	
005	28451-ZE2-W01	PULLEY, STARTER	(1)	
008	28470-816-000	ROPE, STARTER	(1)	
009	31100-ZE2-010	FLYWHEEL COMP.	1	3337056
009	31100-ZE2-010	FLYWHEEL COMP.	(1)	
010	31100-ZE2-812	FLYWHEEL COMP. (LAMP)	1	
010	31100-ZE2-812	FLYWHEEL COMP. (LAMP)	(1)	
011	31100-ZE2-822	FLYWHEEL COMP. (STARTER MOTOR)	1	
011	31100-ZE2-822	FLYWHEEL COMP. (STARTER MOTOR)	(1)	
012	31100-ZE2-832	FLYWHEEL COMP. (4POLE)	1	
<u>Ref</u>	<u>Partnumber</u>	<u>Description</u>	<u>GX240K1</u>	<u>Serial Numbers</u>
012	31100-ZE2-832	FLYWHEEL COMP. (4POLE)	(1)	
012	31100-ZE2-W11	FLYWHEEL COMP. (SEL-18A)	1	
012	31100-ZE2-W11	FLYWHEEL COMP. (SEL-18A)	(1)	
013	90201-ZE3-790	NUT, SPECIAL, 16MM	1	3467138
013	90201-ZE3-790	NUT, SPECIAL, 16MM	1	4835166
013	90201-ZE3-V00	NUT, SPECIAL, 16MM	1	
013	90201-ZE3-V00	NUT, SPECIAL, 16MM	1	3467139
014	31100-ZE2-W01	FLYWHEEL COMP. (18A)	(1)	



Ref	Partnumber	Description	GX240K1	Serial Numbers
001	12200-ZH9-000	HEAD COMP., CYLINDER	1	
002	12204-ZE2-306	GUIDE, IN. VALVE (O.S.)	1	
003	12205-ZE2-305	GUIDE, EX. VALVE (OS)	1	
004	12216-ZE2-300	CLIP, VALVE GUIDE	1	
005	12251-ZE2-800	GASKET, CYLINDER HEAD	1	
005	12251-ZE2-800	GASKET, CYLINDER HEAD	(1)	
006	12310-ZE2-010	COVER COMP., HEAD	1	3146326
006	12310-ZE2-010	COVER COMP., HEAD	(1)	3146326
006	12310-ZE2-020	COVER COMP., HEAD	1	3146327
006	12310-ZE2-020	COVER COMP., HEAD	(1)	3146327
006	12310-ZE3-790	COVER COMP., HEAD (BREATHING TUBE JOINT)	1	3139634
006	12310-ZE3-790	COVER COMP., HEAD (BREATHING TUBE JOINT)	(1)	3139634
006	12310-ZE3-791	COVER COMP., HEAD (BREATHING TUBE JOINT)	(1)	3139635

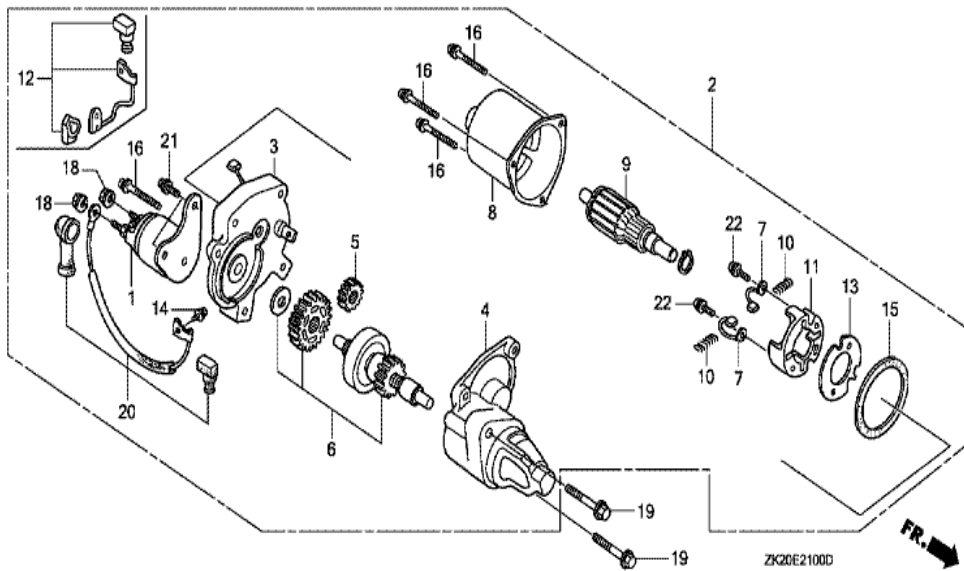


<u>Ref</u>	<u>Partnumber</u>	<u>Description</u>	<u>GX240K1</u>	<u>Serial Numbers</u>
006	12310-ZE3-791	COVER COMP., HEAD (BREATHER TUBE JOINT)	(1)	3139635
007	12391-ZE2-020	PACKING, HEAD COVER	1	
007	12391-ZE2-020	PACKING, HEAD COVER	(1)	
008	14775-ZE2-010	SEAT, VALVE SPRING	1	
010	17316-611-000	CLIP, BREATHER TUBE	2	
010	17316-611-000	CLIP, BREATHER TUBE	(2)	
011	90014-ZE2-000	BOLT, HEAD COVER	1	
012	90042-ZE2-000	BOLT, STUD, 8X123	2	
012	90042-ZE2-000	BOLT, STUD, 8X123	2	
013	90047-ZE2-000	BOLT, STUD, 8X47	2	
013	90047-ZE2-000	BOLT, STUD, 8X47	2	3844352
013	92900-080320E	BOLT, STUD, 8X32	2	
013	92900-080320E	BOLT, STUD, 8X32	2	3844353
014	90441-ZE2-010	WASHER COMP., HEAD COVER	1	
015	94301-12200	DOWEL PIN, 12X20	2	
016	94510-11000	CIRCLIP, EXTERNAL, 11MM	1	
017	12315-ZE3-840	TUBE, BREATHER	(1)	
017	12315-ZE3-840	TUBE, BREATHER	1	
017	95005-1110030	TUBE, 11X100 (95005-11001-30M)	1	
017	95005-1110030	TUBE, 11X100 (95005-11001-30M)	(1)	3454868
017	95005-1110530	TUBE, 11X105 (95005-11001-30M)	1	3454867
017	95005-1110530	TUBE, 11X105 (95005-11001-30M)	(1)	3454867
018	95725-1008000	BOLT, FLANGE, 10X80	4	4847591
018	95725-1008000	BOLT, FLANGE, 10X80	4	
019	98079-55841	PLUG, SPARK (BP5ES) (NGK)	1	3860624
019	98079-55841	PLUG, SPARK (BP5ES) (NGK)	(1)	
019	98079-55846	PLUG, SPARK (BPR5ES) (NGK)	1	
019	98079-55846	PLUG, SPARK (BPR5ES) (NGK)	(1)	
019	98079-55855	PLUG, SPARK (W16EPR-U) (DENSO)	1	
019	98079-55855	PLUG, SPARK (W16EPR-U) (DENSO)	(1)	
019	98079-56841	PLUG, SPARK (BP6ES) (NGK)	1	3543504
019	98079-56841	PLUG, SPARK (BP6ES) (NGK)	(1)	
019	98079-56846	PLUG, SPARK (BPR6ES) (NGK)	1	3860625
<u>Ref</u>	<u>Partnumber</u>	<u>Description</u>	<u>GX240K1</u>	<u>Serial Numbers</u>
019	98079-56846	PLUG, SPARK (BPR6ES) (NGK)	(1)	
019	98079-56855	PLUG, SPARK (W20EPR-U) (DENSO)	1	
019	98079-56855	PLUG, SPARK (W20EPR-U) (DENSO)	(1)	



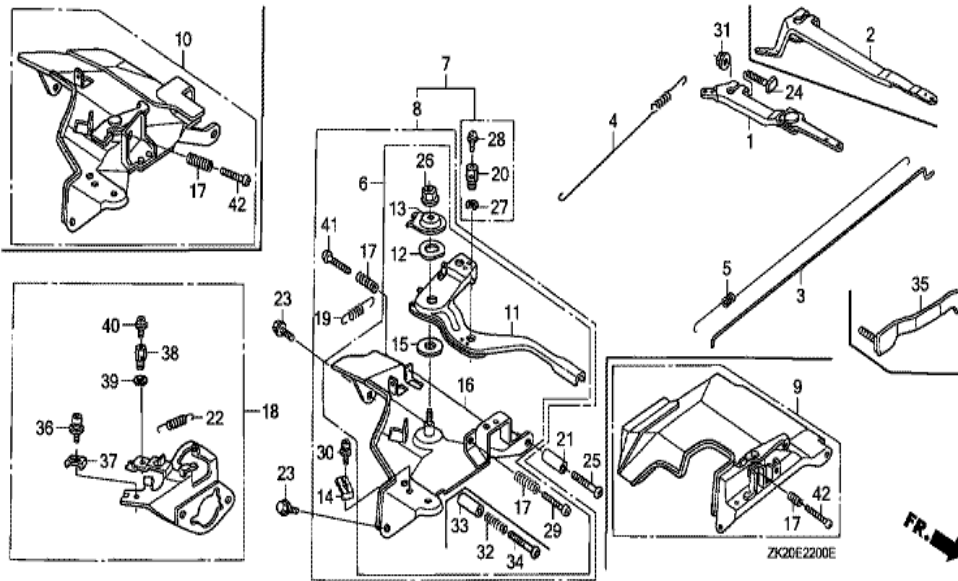
Ref	Partnumber	Description	GX240K1	Serial Numbers
001	30500-ZF6-W02	COIL ASSY., IGNITION	1	
002	30600-ZE1-013	TERMINAL ASSY., HIGH TENSION (NICHIWA Y-	(1)	
002	30600-ZE1-013	TERMINAL ASSY., HIGH TENSION (NICHIWA Y-	(1)	
003	30700-ZE1-013	CAP ASSY., NOISE SUPPRESSOR (NICHIWA Y-E	1	3860625
003	30700-ZE1-013	CAP ASSY., NOISE SUPPRESSOR (NICHIWA Y-E	(1)	
004	31510-ZE1-831	COIL ASSY., LAMP (6V/25W)	(1)	
004	31510-ZE1-831	COIL ASSY., LAMP (6V/25W)	(1)	
005	31510-ZE2-811	COIL ASSY., LAMP (12V/50W)	1	
005	31510-ZE2-811	COIL ASSY., LAMP (12V/50W)	(1)	
006	31511-ZE2-000	CLAMPER, CORD	1	
006	31511-ZE2-000	CLAMPER, CORD	(1)	
007	31512-ZE2-000	GROMMET, CORD	1	
008	31630-ZE1-003	COIL ASSY., CHARGE (1A)	1	

<u>Ref</u>	<u>Partnumber</u>	<u>Description</u>	<u>GX240K1</u>	<u>Serial Numbers</u>
008	31630-ZE1-003	COIL ASSY., CHARGE (1A)	(1)	
008	31630-ZE2-841	COIL ASSY., CHARGE (3A)	1	4847898
008	31630-ZE2-841	COIL ASSY., CHARGE (3A)	(1)	
009	31630-ZE2-861	COIL ASSY., CHARGE (10A)	(1)	
009	31630-ZE2-861	COIL ASSY., CHARGE (10A)	(1)	
010	31630-ZE2-W01	COIL ASSY., CHARGE (12V/18A)	1	
010	31630-ZE2-W01	COIL ASSY., CHARGE (12V/18A)	(1)	3331782
011	36101-ZE1-010	CORD, STOP SWITCH (370MM)	1	
011	36101-ZE1-010	CORD, STOP SWITCH (370MM)	(1)	
012	36103-ZE1-000	HOLDER, STOP SWITCH CORD	1	
012	36103-ZE1-000	HOLDER, STOP SWITCH CORD	(1)	
013	90013-883-000	BOLT, FLANGE, 6X12 (CT200)	(1)	
013	90013-883-000	BOLT, FLANGE, 6X12 (CT200)	(1)	
014	90015-883-000	BOLT, FLANGE, 6X28 (CT200)	N	
014	90015-883-000	BOLT, FLANGE, 6X28 (CT200)	(N)	
017	31511-ZE2-W00	CLAMPER, CORD	1	
017	31511-ZE2-W00	CLAMPER, CORD	(1)	3331782
019	31510-ZE1-811	COIL ASSY., LAMP (12V/25W)	1	
019	31510-ZE1-811	COIL ASSY., LAMP (12V/25W)	(1)	
021	31512-ZG3-000	GROMMET, CORD	(1)	3331781



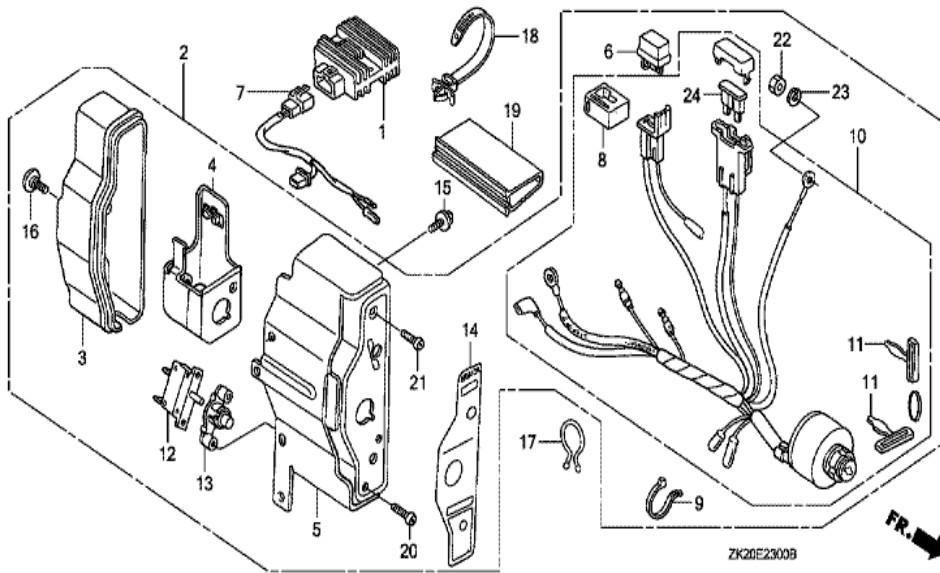
Ref	Partnumber	Description	GX240K1	Serial Numbers
001	31204-ZA0-003	CONTACTOR ASSY.	1	
001	31204-ZA0-003	CONTACTOR ASSY.	(1)	
002	31210-ZE2-003	MOTOR UNIT, STARTER	1	
002	31210-ZE2-003	MOTOR UNIT, STARTER	(1)	
003	31211-ZE2-003	BRACKET, CENTER	1	
003	31211-ZE2-003	BRACKET, CENTER	(1)	
004	31212-ZE2-003	BRACKET, FR.	1	
004	31212-ZE2-003	BRACKET, FR.	(1)	
005	31213-ZE2-003	GEAR, DRIVE PINION	(1)	
005	31213-ZE2-003	GEAR, DRIVE PINION	(1)	
006	31214-ZE2-003	CLUTCH COMP., OVERRUNNING	1	
006	31214-ZE2-003	CLUTCH COMP., OVERRUNNING	(1)	
007	31215-ZE2-003	BRUSH	2	

<u>Ref</u>	<u>Partnumber</u>	<u>Description</u>	<u>GX240K1</u>	<u>Serial Numbers</u>
007	31215-ZE2-003	BRUSH	(2)	
008	31216-ZE2-003	YOKE COMP.	1	
008	31216-ZE2-003	YOKE COMP.	(1)	
009	31217-ZE2-003	ARMATURE COMP.	1	
009	31217-ZE2-003	ARMATURE COMP.	(1)	
010	31219-ZE2-003	SPRING, BRUSH RETURN	(4)	
010	31219-ZE2-003	SPRING, BRUSH RETURN	(4)	
011	31231-ZE2-003	HOLDER, BRUSH	1	
011	31231-ZE2-003	HOLDER, BRUSH	(1)	
013	31233-ZE2-003	INSULATOR	1	
013	31233-ZE2-003	INSULATOR	(1)	
014	90110-ZE2-003	SCREW-WASHER, 4X6	1	
014	90110-ZE2-003	SCREW-WASHER, 4X6	(1)	
015	91601-ZE2-003	PACKING	1	
015	91601-ZE2-003	PACKING	(1)	
016	93892-0503218	SCREW-WASHER, 5X32	4	
016	93892-0503218	SCREW-WASHER, 5X32	(4)	
018	94070-06080	NUT-WASHER, 6MM	2	
018	94070-06080	NUT-WASHER, 6MM	(2)	
019	95701-0804000	BOLT, FLANGE, 8X40	2	
019	95701-0804000	BOLT, FLANGE, 8X40	(2)	
020	31232-ZE2-013	WIRE, WATER COVER	1	4850607
020	31232-ZE2-013	WIRE, WATER COVER	(1)	
021	90007-ZE2-003	BOLT-WASHER, 5X14	2	
021	90007-ZE2-003	BOLT-WASHER, 5X14	(2)	
022	31219-ZE3-003	SCREW-WASHER, 4X14	2	



Ref	Partnumber	Description	GX240K1	Serial Numbers
002	16551-ZE2-000	ARM, GOVERNOR	1	
003	16555-ZE2-000	ROD, GOVERNOR	1	
003	16555-ZE2-000	ROD, GOVERNOR	1	
004	16561-ZE2-000	SPRING, GOVERNOR (L=145.0MM) (WIRE DIAME	1	3156815
005	16562-ZE2-000	SPRING, THROTTLE RETURN	1	3337056
006	16570-ZE2-W00	CONTROL ASSY.	1	
006	16570-ZE2-W00	CONTROL ASSY.	(1)	
006	16570-ZE2-W40	CONTROL ASSY.	1	
006	16570-ZE2-W40	CONTROL ASSY.	(1)	
007	16570-ZE2-W10	CONTROL ASSY. (REMOTE)	1	
007	16570-ZE2-W10	CONTROL ASSY. (REMOTE)	(1)	
008	16570-ZE2-W20	CONTROL ASSY. (REMOTE)	1	
008	16570-ZE2-W20	CONTROL ASSY. (REMOTE)	(1)	

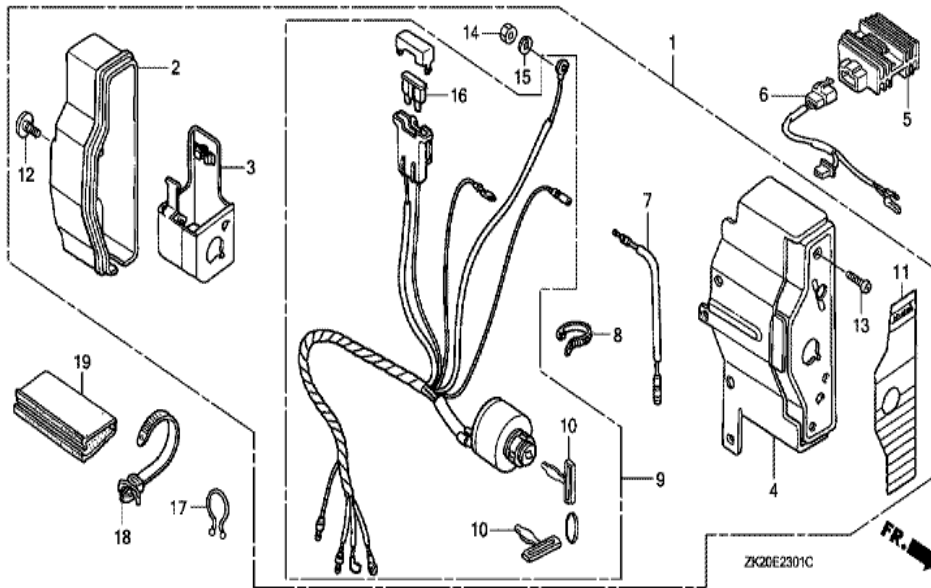
<u>Ref</u>	<u>Partnumber</u>	<u>Description</u>	<u>GX240K1</u>	<u>Serial Numbers</u>
011	16571-ZE2-W00	LEVER, CONTROL	1	
011	16571-ZE2-W00	LEVER, CONTROL	(1)	
011	16571-ZE2-W10	LEVER, CONTROL	1	
011	16571-ZE2-W10	LEVER, CONTROL	(1)	
012	16574-ZE1-000	SPRING, LEVER	1	3077713
012	16574-ZE1-000	SPRING, LEVER	(1)	
013	16575-ZE2-W00	WASHER, CONTROL LEVER	1	3454257
013	16575-ZE2-W00	WASHER, CONTROL LEVER	(1)	
014	16576-891-000	HOLDER, CABLE	1	
014	16576-891-000	HOLDER, CABLE	(1)	
015	16578-ZE1-000	SPACER, CONTROL LEVER	1	
015	16578-ZE1-000	SPACER, CONTROL LEVER	(1)	
016	16581-ZE2-W00	BASE COMP., CONTROL (###)	1	3454257
016	16581-ZE2-W00	BASE COMP., CONTROL (###)	(1)	
017	16584-883-300	SPRING, CONTROL ADJUSTING	(1)	
017	16584-883-300	SPRING, CONTROL ADJUSTING	(1)	
018	16590-ZE2-812	STAY ASSY., CHOKE CONTROL (REMOTE)	1	
018	16590-ZE2-812	STAY ASSY., CHOKE CONTROL (REMOTE)	(1)	
019	16592-883-310	SPRING, CABLE RETURN	1	
019	16592-883-310	SPRING, CABLE RETURN	(1)	
020	16594-883-010	HOLDER, WIRE	2	
020	16594-883-010	HOLDER, WIRE	(1)	
022	16615-ZE2-810	SPRING, RETURN	1	
022	16615-ZE2-810	SPRING, RETURN	(1)	
023	90013-883-000	BOLT, FLANGE, 6X12 (CT200)	2	
024	90015-ZE5-010	BOLT, GOVERNOR ARM	1	
026	90114-SA0-000	NUT, SELF-LOCK, 6MM	1	3454257
026	90114-SA0-000	NUT, SELF-LOCK, 6MM	(1)	
027	90605-230-000	CIRCLIP, 5MM	2	
027	90605-230-000	CIRCLIP, 5MM	(1)	
028	93500-040060H	SCREW, PAN, 4X6	2	
028	93500-040060H	SCREW, PAN, 4X6	(1)	
029	93500-050280A	SCREW, PAN, 5X28	1	3454257
<u>Ref</u>	<u>Partnumber</u>	<u>Description</u>	<u>GX240K1</u>	<u>Serial Numbers</u>
029	93500-050280A	SCREW, PAN, 5X28	(1)	
030	93500-050160A	SCREW, PAN, 5X16	1	
030	93500-050160A	SCREW, PAN, 5X16	(1)	
031	94050-06000	NUT, FLANGE, 6MM	1	
036	93893-0501600	SCREW-WASHER, 5X16	1	
037	16576-891-000	HOLDER, CABLE	(1)	
037	16576-891-000	HOLDER, CABLE	(1)	
038	16594-883-010	HOLDER, WIRE	1	
038	16594-883-010	HOLDER, WIRE	(1)	
039	90605-230-000	CIRCLIP, 5MM	1	
039	90605-230-000	CIRCLIP, 5MM	(1)	
040	93500-040060H	SCREW, PAN, 4X6	1	
040	93500-040060H	SCREW, PAN, 4X6	(1)	



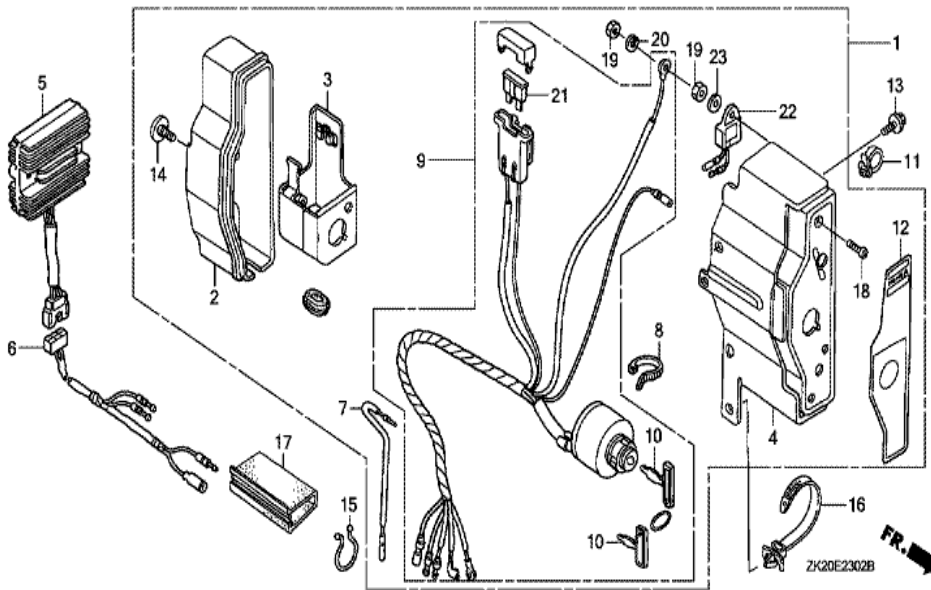
Ref	Partnumber	Description	GX240K1	Serial Numbers
001	31600-ZE2-861	RECTIFIER ASSY., REGULATOR (10A)	(1)	
002	31610-ZE2-013ZB	BOX ASSY., CONTROL (INTERNAL) *R8 *	1	
002	31610-ZE2-013ZB	BOX ASSY., CONTROL (INTERNAL) *R8 *	(1)	
003	31612-ZE2-003	CASE, CONTROL	1	
003	31612-ZE2-003	CASE, CONTROL	(1)	
004	31614-ZE2-003	BRACKET, CASE MOUNTING	1	
004	31614-ZE2-003	BRACKET, CASE MOUNTING	(1)	
005	31615-ZE2-003ZB	PANEL COMP., CONTROL *R8 *	1	
005	31615-ZE2-003ZB	PANEL COMP., CONTROL *R8 *	(1)	
006	31700-124-008	RECTIFIER ASSY., SILICON (SHINDENGEN)	1	
006	31700-124-008	RECTIFIER ASSY., SILICON (SHINDENGEN)	(1)	
007	32110-ZE2-860	HARNESS ASSY., SUB WIRE	(1)	
008	32127-738-700	SUSPENSION, COUPLER	1	



<u>Ref</u>	<u>Partnumber</u>	<u>Description</u>	<u>GX240K1</u>	<u>Serial Numbers</u>
008	32127-738-700	SUSPENSION, COUPLER	(1)	
009	32902-892-003	BAND	1	
009	32902-892-003	BAND	(1)	
010	35100-ZE2-023	SWITCH ASSY., COMBINATION	1	4853656
010	35100-ZE2-023	SWITCH ASSY., COMBINATION	(1)	
011	35111-880-003	KEY COMP.	2	4593890
011	35111-880-003	KEY COMP.	(2)	
012	38240-VA3-900	PROTECTOR, CIRCUIT (1.0A)	1	
012	38240-VA3-900	PROTECTOR, CIRCUIT (1.0A)	(1)	
013	38250-ZA8-701	LENS ASSY., PROTECTOR	1	
013	38250-ZA8-701	LENS ASSY., PROTECTOR	(1)	
014	87529-ZE2-010	PANEL, CONTROL BOX (INTERNAL)	1	4524995
014	87529-ZE2-010	PANEL, CONTROL BOX (INTERNAL)	(1)	
015	90013-883-000	BOLT, FLANGE, 6X12 (CT200)	2	
015	90013-883-000	BOLT, FLANGE, 6X12 (CT200)	(2)	
016	90380-MA6-010	SCREW, SPECIAL, 6X12	1	
016	90380-MA6-010	SCREW, SPECIAL, 6X12	(1)	
017	90630-751-000	CLIP, PURSE LOCK	1	
017	90630-751-000	CLIP, PURSE LOCK	(1)	
018	90672-SA0-003	STRAP, CABLE, 118MM (BLACK)	1	
018	90672-SA0-003	STRAP, CABLE, 118MM (BLACK)	(1)	
019	91406-ZE2-003	TUBE, FASTENER, 30MM	1	
019	91406-ZE2-003	TUBE, FASTENER, 30MM	(1)	
020	93500-030120H	SCREW, PAN, 3X12	2	
020	93500-030120H	SCREW, PAN, 3X12	(2)	
021	93500-040120H	SCREW, PAN, 4X12	1	
021	93500-040120H	SCREW, PAN, 4X12	(1)	
022	94001-043900S	NUT, HEX., 4MM	1	
022	94001-043900S	NUT, HEX., 4MM	(1)	
023	94111-04800	WASHER, SPRING, 4MM	1	
023	94111-04800	WASHER, SPRING, 4MM	(1)	
024	98200-30500	FUSE, BLADE (5A)	1	
024	98200-30500	FUSE, BLADE (5A)	(1)	

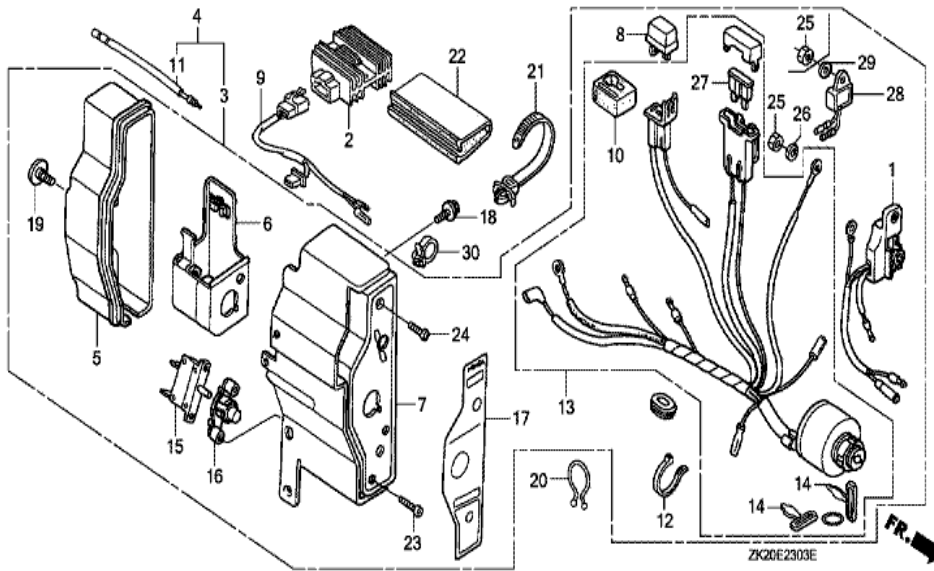


Ref	Partnumber	Description	GX240K1	Serial Numbers
001	31610-ZE2-862ZB	BOX ASSY., CONTROL (10A) *R8 *	1	4466592
001	31610-ZE2-862ZB	BOX ASSY., CONTROL (10A) *R8 *	(1)	
002	31612-ZE2-003	CASE, CONTROL	(1)	
002	31612-ZE2-003	CASE, CONTROL	(1)	
003	31614-ZE2-003	BRACKET, CASE MOUNTING	1	
003	31614-ZE2-003	BRACKET, CASE MOUNTING	(1)	
004	31615-ZE2-003ZB	PANEL COMP., CONTROL *R8 *	1	4466592
004	31615-ZE2-003ZB	PANEL COMP., CONTROL *R8 *	(1)	
008	32902-892-003	BAND	1	
008	32902-892-003	BAND	(1)	
009	35100-ZE2-862	SWITCH ASSY., COMBINATION (10A-CHARGE)	1	
009	35100-ZE2-862	SWITCH ASSY., COMBINATION (10A-CHARGE)	(1)	
010	35111-880-003	KEY COMP.	2	4593890
Ref	Partnumber	Description	GX240K1	Serial Numbers
010	35111-880-003	KEY COMP.	(2)	
011	87529-ZE2-860	MARK, CONTROL BOX (EXTERNAL-REGULATOR)	1	4533388
011	87529-ZE2-860	MARK, CONTROL BOX (EXTERNAL-REGULATOR)	(1)	
012	90380-MA6-010	SCREW, SPECIAL, 6X12	(1)	
012	90380-MA6-010	SCREW, SPECIAL, 6X12	(1)	
013	93500-040120H	SCREW, PAN, 4X12	1	
013	93500-040120H	SCREW, PAN, 4X12	(1)	
014	94001-043900S	NUT, HEX., 4MM	1	
014	94001-043900S	NUT, HEX., 4MM	(1)	
015	94111-04800	WASHER, SPRING, 4MM	1	
015	94111-04800	WASHER, SPRING, 4MM	(1)	
016	98200-31500	FUSE, BLADE (15A)	1	
016	98200-31500	FUSE, BLADE (15A)	(1)	



Ref	Partnumber	Description	GX240K1	Serial Numbers
001	31610-ZE2-W01ZC	BOX ASSY., CONTROL (EXTERNAL-ALERT) (18A)	1	3684578
001	31610-ZE2-W01ZC	BOX ASSY., CONTROL (EXTERNAL-ALERT) (18A)	(1)	3202450 3684578
001	31610-ZE2-W02ZC	BOX ASSY., CONTROL (EXP-ALERT) (18A) *R8	1	4487961
001	31610-ZE2-W02ZC	BOX ASSY., CONTROL (EXP-ALERT) (18A) *R8	(1)	3684579
002	31612-ZE2-003	CASE, CONTROL	1	
002	31612-ZE2-003	CASE, CONTROL	(1)	3202450
003	31614-ZE2-003	BRACKET, CASE MOUNTING	1	
003	31614-ZE2-003	BRACKET, CASE MOUNTING	(1)	3202450
004	31615-ZE2-003ZB	PANEL COMP., CONTROL *R8 *	(1)	4464507
004	31615-ZE2-003ZB	PANEL COMP., CONTROL *R8 *	(1)	
004	31615-ZE2-003ZB	PANEL COMP., CONTROL *R8 *	(1)	3202450
005	31620-ZG5-003	RECTIFIER ASSY., REGULATOR(20A)	1	
005	31620-ZG5-003	RECTIFIER ASSY., REGULATOR(20A)	(1)	3202450

<u>Ref</u>	<u>Partnumber</u>	<u>Description</u>	<u>GX240K1</u>	<u>Serial Numbers</u>
006	32110-ZE2-W00	HARNESS ASSY., SUB WIRE	1	
006	32110-ZE2-W00	HARNESS ASSY., SUB WIRE	(1)	3202450
007	32197-ZE1-003	HARNESS, SUB WIRE	1	
007	32197-ZE1-003	HARNESS, SUB WIRE	(1)	3202450
008	32902-892-003	BAND	1	
008	32902-892-003	BAND	(1)	3202450
009	35100-ZE2-W01	SWITCH ASSY., COMBINATION (18A-CHARGE)	1	
009	35100-ZE2-W01	SWITCH ASSY., COMBINATION (18A-CHARGE)	(1)	3202450
010	35111-880-003	KEY COMP.	2	4593890
010	35111-880-003	KEY COMP.	(2)	
010	35111-880-003	KEY COMP.	(2)	3202450
011	36103-ZE1-000	HOLDER, STOP SWITCH CORD	(1)	
011	36103-ZE1-000	HOLDER, STOP SWITCH CORD	(1)	3202450
012	87529-ZE2-860	MARK, CONTROL BOX (EXTERNAL-REGULATOR)	1	4533388
012	87529-ZE2-860	MARK, CONTROL BOX (EXTERNAL-REGULATOR)	(1)	3202450
013	90013-883-000	BOLT, FLANGE, 6X12 (CT200)	(2)	
013	90013-883-000	BOLT, FLANGE, 6X12 (CT200)	(2)	3202450
014	90380-MA6-010	SCREW, SPECIAL, 6X12	1	
014	90380-MA6-010	SCREW, SPECIAL, 6X12	(1)	3202450
015	90630-751-000	CLIP, PURSE LOCK	1	
015	90630-751-000	CLIP, PURSE LOCK	(1)	3202450
016	90672-SA0-003	STRAP, CABLE, 118MM (BLACK)	(1)	3202450
016	90672-SA0-003	STRAP, CABLE, 118MM (BLACK)	(1)	3202450
017	91406-ZE2-003	TUBE, FASTENER, 30MM	1	
017	91406-ZE2-003	TUBE, FASTENER, 30MM	(1)	3202450
018	93500-040120H	SCREW, PAN, 4X12	1	
018	93500-040120H	SCREW, PAN, 4X12	(1)	3202450
019	94001-043900S	NUT, HEX., 4MM	1	3684578
019	94001-043900S	NUT, HEX., 4MM	(2)	
019	94001-043900S	NUT, HEX., 4MM	(2)	3684579
020	94111-04800	WASHER, SPRING, 4MM	1	
020	94111-04800	WASHER, SPRING, 4MM	(1)	3202450
021	98200-32500	FUSE, BLADE (25A)	1	
<u>Ref</u>	<u>Partnumber</u>	<u>Description</u>	<u>GX240K1</u>	<u>Serial Numbers</u>
021	98200-32500	FUSE, BLADE (25A)	(1)	3202450
022	34150-ZH7-003	ALERT UNIT, OIL	(1)	
022	34150-ZH7-003	ALERT UNIT, OIL	(1)	3684579
023	94101-04800	WASHER, PLAIN, 4MM	1	3684579
023	94101-04800	WASHER, PLAIN, 4MM	(1)	3684579



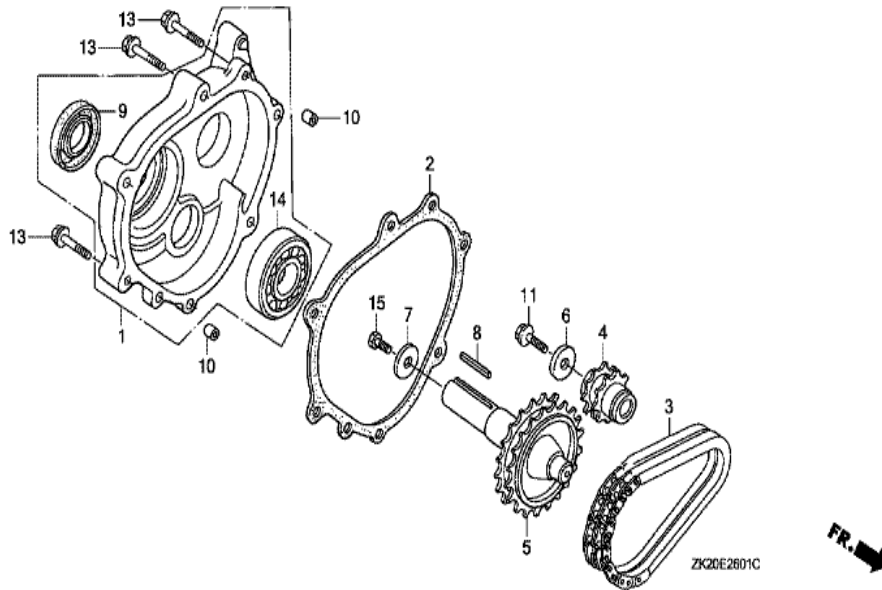
Ref	Partnumber	Description	GX240K1	Serial Numbers
001	15520-ZE2-822	ALERT UNIT, OIL (SEL)	(1)	3116814
001	15520-ZE2-822	ALERT UNIT, OIL (SEL)	(1)	3116814
002	31600-ZE2-861	RECTIFIER ASSY., REGULATOR (10A)	1	3320786
002	31600-ZE2-861	RECTIFIER ASSY., REGULATOR (10A)	(1)	
003	31610-ZE2-812ZB	BOX ASSY., CONTROL *R8 *	1	
003	31610-ZE2-812ZB	BOX ASSY., CONTROL *R8 *	(1)	
003	31610-ZE2-822ZB	BOX ASSY., CONTROL (INTERNAL-ALERT) *R8	(1)	3116814
003	31610-ZE2-822ZB	BOX ASSY., CONTROL (INTERNAL-ALERT) *R8	(1)	3116814
003	31610-ZE2-832ZB	BOX ASSY., CONTROL (ALERT) *R8 *	(1)	3116814
003	31610-ZE2-832ZB	BOX ASSY., CONTROL (ALERT) *R8 *	(1)	3116814
003	31610-ZE2-842ZB	BOX ASSY., CONTROL (3A) *R8 *	(1)	4466592
003	31610-ZE2-842ZB	BOX ASSY., CONTROL (3A) *R8 *	(1)	
003	31610-ZE2-852ZB	BOX ASSY., CONTROL (EXP-ALERT) (3A) *R8*	1	3116814

<u>Ref</u>	<u>Partnumber</u>	<u>Description</u>	<u>GX240K1</u>	<u>Serial Numbers</u>
003	31610-ZE2-852ZB	BOX ASSY., CONTROL (EXP-ALERT) (3A) *R8*	(1)	3116814
003	31610-ZE2-872ZB	BOX ASSY., CONTROL (EXP-ALERT) (10A) *R8	(1)	3116814
003	31610-ZE2-872ZB	BOX ASSY., CONTROL (EXP-ALERT) (10A) *R8	(1)	3116814
004	31610-ZE2-823ZB	BOX ASSY., CONTROL *R8 *	(1)	3116815 3684578
004	31610-ZE2-824ZB	BOX ASSY., CONTROL *R8 *	(1)	3684579
004	31610-ZE2-824ZB	BOX ASSY., CONTROL *R8 *	(1)	3684579
004	31610-ZE2-833ZB	BOX ASSY., CONTROL *R8 *	1	3116815 3684578
004	31610-ZE2-833ZB	BOX ASSY., CONTROL *R8 *	(1)	3116815 3684578
004	31610-ZE2-834ZB	BOX ASSY., CONTROL *R8 *	1	3684579
004	31610-ZE2-834ZB	BOX ASSY., CONTROL *R8 *	(1)	3684579
004	31610-ZE2-853ZB	BOX ASSY., CONTROL (EXTERNAL-ALERT) (3A)	1	3116815
004	31610-ZE2-853ZB	BOX ASSY., CONTROL (EXTERNAL-ALERT) (3A)	(1)	3116815 3684578
004	31610-ZE2-854ZB	BOX ASSY., CONTROL (EXP-ALERT) (3A) *R8*	1	3684579
004	31610-ZE2-854ZB	BOX ASSY., CONTROL (EXP-ALERT) (3A) *R8*	(1)	3684579
004	31610-ZE2-873ZB	BOX ASSY., CONTROL (10A) *R8 *	1	
004	31610-ZE2-873ZB	BOX ASSY., CONTROL (10A) *R8 *	(1)	3116815 3684578
004	31610-ZE2-874ZB	BOX ASSY., CONTROL (10A) *R8 *	(1)	3684579
004	31610-ZE2-874ZB	BOX ASSY., CONTROL (10A) *R8 *	(1)	3684579
005	31612-ZE2-003	CASE, CONTROL	1	
005	31612-ZE2-003	CASE, CONTROL	(1)	
006	31614-ZE2-003	BRACKET, CASE MOUNTING	1	3320786
006	31614-ZE2-003	BRACKET, CASE MOUNTING	(1)	
007	31615-ZE2-003ZB	PANEL COMP., CONTROL *R8 *	1	4463352
007	31615-ZE2-003ZB	PANEL COMP., CONTROL *R8 *	(1)	
008	31700-124-008	RECTIFIER ASSY., SILICON (SHINDENGEN)	1	
008	31700-124-008	RECTIFIER ASSY., SILICON (SHINDENGEN)	(1)	
009	32110-ZE2-860	HARNESS ASSY., SUB WIRE	1	3320786
009	32110-ZE2-860	HARNESS ASSY., SUB WIRE	(1)	
010	32127-738-700	SUSPENSION, COUPLER	1	
010	32127-738-700	SUSPENSION, COUPLER	(1)	
011	32197-ZE1-003	HARNESS, SUB WIRE	1	
011	32197-ZE1-003	HARNESS, SUB WIRE	(1)	3116815
012	32902-892-003	BAND	1	

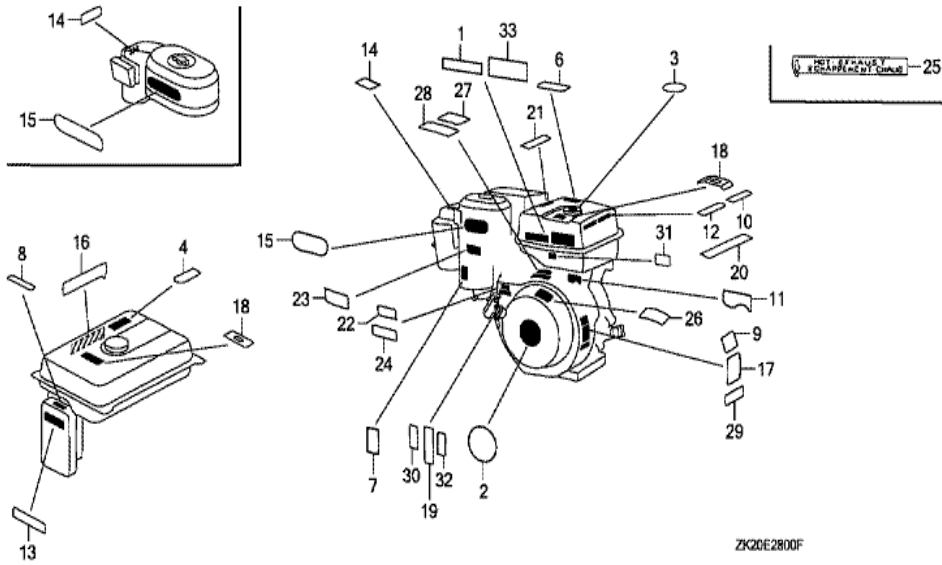
<u>Ref</u>	<u>Partnumber</u>	<u>Description</u>	<u>GX240K1</u>	<u>Serial Numbers</u>
012	32902-892-003	BAND	(1)	
013	35100-ZE2-023	SWITCH ASSY., COMBINATION	1	4853656
013	35100-ZE2-023	SWITCH ASSY., COMBINATION	(1)	
013	35100-ZE2-842	SWITCH ASSY., COMBINATION (3A-CHARGE)	(1)	
013	35100-ZE2-842	SWITCH ASSY., COMBINATION (3A-CHARGE)	(1)	
013	35100-ZE2-862	SWITCH ASSY., COMBINATION (10A-CHARGE)	1	3320786
013	35100-ZE2-862	SWITCH ASSY., COMBINATION (10A-CHARGE)	(1)	
014	35111-880-003	KEY COMP.	2	
014	35111-880-003	KEY COMP.	(2)	
015	38240-VA3-900	PROTECTOR, CIRCUIT (1.0A)	1	
015	38240-VA3-900	PROTECTOR, CIRCUIT (1.0A)	(1)	
015	38240-ZE2-840	PROTECTOR, CIRCUIT (3.5A)	1	
015	38240-ZE2-840	PROTECTOR, CIRCUIT (3.5A)	(1)	
016	38250-ZA8-701	LENS ASSY., PROTECTOR	1	
016	38250-ZA8-701	LENS ASSY., PROTECTOR	(1)	
017	87529-ZE2-010	PANEL, CONTROL BOX (INTERNAL)	(1)	3116815
017	87529-ZE2-010	PANEL, CONTROL BOX (INTERNAL)	(1)	3116815
017	87529-ZE2-811	MARK, CONTROL BOX (EXTERNAL)	1	3116815
017	87529-ZE2-811	MARK, CONTROL BOX (EXTERNAL)	(1)	
017	87529-ZE2-821	PANEL, CONTROL BOX (INTERNAL-ALERT)	(1)	3116814
017	87529-ZE2-821	PANEL, CONTROL BOX (INTERNAL-ALERT)	(1)	3116814
017	87529-ZE2-831	PANEL, CONTROL BOX (EXTERNAL-ALERT)	1	3116814
017	87529-ZE2-831	PANEL, CONTROL BOX (EXTERNAL-ALERT)	(1)	3116814
017	87529-ZE2-860	MARK, CONTROL BOX (EXTERNAL-REGULATOR)	(1)	4533388
017	87529-ZE2-860	MARK, CONTROL BOX (EXTERNAL-REGULATOR)	(1)	3116815
017	87529-ZE2-870	MARK, CONTROL BOX (EXTERNAL-ALERT) (REGU	(1)	3116814
017	87529-ZE2-870	MARK, CONTROL BOX (EXTERNAL-ALERT) (REGU	(1)	3116814
018	90013-883-000	BOLT, FLANGE, 6X12 (CT200)	2	3566749
018	90013-883-000	BOLT, FLANGE, 6X12 (CT200)	(2)	
019	90380-MA6-010	SCREW, SPECIAL, 6X12	(1)	
019	90380-MA6-010	SCREW, SPECIAL, 6X12	(1)	
020	90630-751-000	CLIP, PURSE LOCK	1	
020	90630-751-000	CLIP, PURSE LOCK	(1)	

<u>Ref</u>	<u>Partnumber</u>	<u>Description</u>	<u>GX240K1</u>	<u>Serial Numbers</u>
021	90672-SA0-003	STRAP, CABLE, 118MM (BLACK)	1	
021	90672-SA0-003	STRAP, CABLE, 118MM (BLACK)	(1)	
022	91406-ZE2-003	TUBE, FASTENER, 30MM	1	
022	91406-ZE2-003	TUBE, FASTENER, 30MM	(1)	
023	93500-030120H	SCREW, PAN, 3X12	2	
023	93500-030120H	SCREW, PAN, 3X12	(2)	
024	93500-040120H	SCREW, PAN, 4X12	1	3320786
024	93500-040120H	SCREW, PAN, 4X12	(1)	
025	94001-043900S	NUT, HEX., 4MM	1	
025	94001-043900S	NUT, HEX., 4MM	2	3684579
025	94001-043900S	NUT, HEX., 4MM	(1)	3684578
025	94001-043900S	NUT, HEX., 4MM	(2)	3684579
026	94111-04800	WASHER, SPRING, 4MM	1	3320786
026	94111-04800	WASHER, SPRING, 4MM	(1)	
027	98200-30500	FUSE, BLADE (5A)	1	
027	98200-30500	FUSE, BLADE (5A)	(1)	
027	98200-31500	FUSE, BLADE (15A)	1	3320786
027	98200-31500	FUSE, BLADE (15A)	(1)	
028	34150-ZH7-003	ALERT UNIT, OIL	1	
028	34150-ZH7-003	ALERT UNIT, OIL	(1)	3684579
029	94101-04800	WASHER, PLAIN, 4MM	1	3684579
029	94101-04800	WASHER, PLAIN, 4MM	(1)	3684579





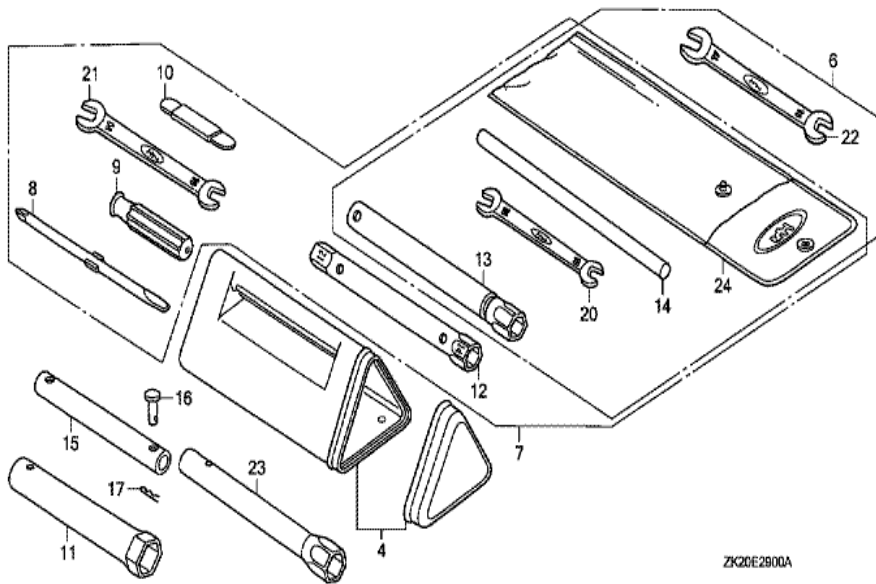
<u>Ref</u>	<u>Partnumber</u>	<u>Description</u>	<u>GX240K1</u>	<u>Serial Numbers</u>
001	11500-ZE2-610	COVER ASSY., CHAIN CASE	1	
002	11521-ZE2-800	PACKING, CHAIN CASE COVER	1	
002	11521-ZE2-800	PACKING, CHAIN CASE COVER	(1)	
003	14411-ZE2-611	CHAIN, P.T.O. DRIVE	1	
004	23110-ZE2-610	SPROCKET, DRIVE (14T)	1	
005	23710-ZE2-610	SHAFT, P.T.O. (28T)	1	
006	90473-842-000	WASHER, 8MM	1	
007	90534-706-010	WASHER, LOCK, 8.5X35X4.5	1	
007	90534-706-010	WASHER, LOCK, 8.5X35X4.5	(1)	
008	90741-805-000	KEY, 7X7X33	1	
008	90741-805-000	KEY, 7X7X33	(1)	
008	90741-889-810	KEY, 7X7X33 (YELLOW) (O.S.)	(1)	
008	90741-889-810	KEY, 7X7X33 (YELLOW) (O.S.)	(1)	
<u>Ref</u>	<u>Partnumber</u>	<u>Description</u>	<u>GX240K1</u>	<u>Serial Numbers</u>
009	91201-890-003	OIL SEAL, 30X46X8	1	
010	94301-08140	DOWEL PIN, 8X14	2	
011	95701-0802500	BOLT, FLANGE, 8X25	1	
013	95701-0804000	BOLT, FLANGE, 8X40	6	
014	96100-6206000	BEARING, RADIAL BALL, 6206	1	
015	92000-080250A	BOLT, HEX., 8X25	(1)	4847898
015	92000-080250A	BOLT, HEX., 8X25	(1)	



ZK20E2800F

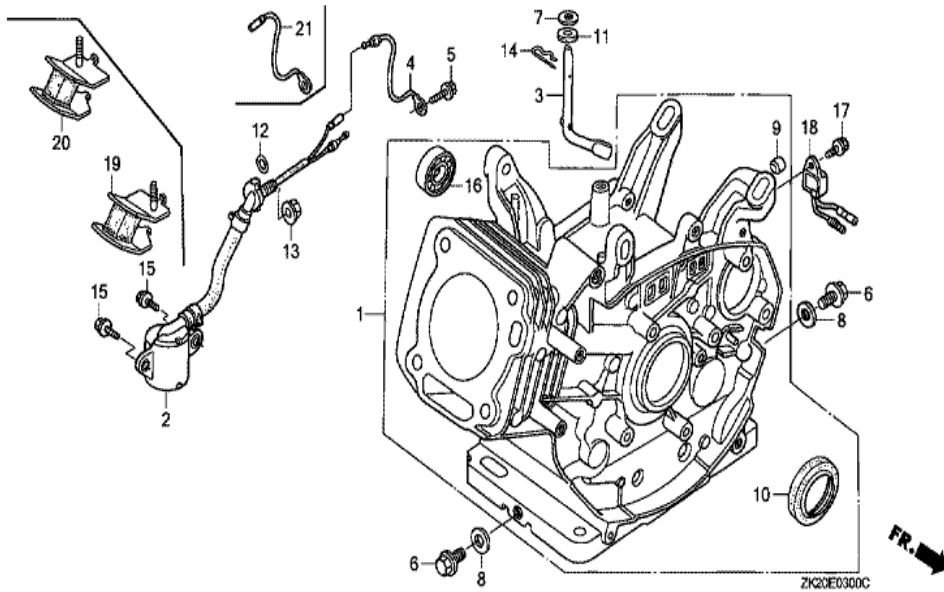
Ref	Partnumber	Description	GX240K1	Serial Numbers
001	87520-ZH8-000	MARK A, COMBINATION (JAPANESE)	1	
001	87520-ZH8-000	MARK A, COMBINATION (JAPANESE)	(1)	3398936
001	87522-ZH9-010	LABEL, CAUTION (ENGLISH, ETC.)	1	
001	87522-ZH9-010	LABEL, CAUTION (ENGLISH, ETC.)	(1)	
002	87521-ZE2-W01	EMBLEM (GX240 HONDA 8.0)	1	3117235
002	87521-ZE2-W01	EMBLEM (GX240 HONDA 8.0)	(1)	3117235 4192760
002	87521-ZE2-W02	EMBLEM (GX240 HONDA 8.0)	1	4465232
002	87521-ZE2-W02	EMBLEM (GX240 HONDA 8.0)	(1)	4192761
003	87522-ZE1-010	LABEL, FUEL WARNING	1	3165402
003	87522-ZE1-010	LABEL, FUEL WARNING	(1)	3165402
003	87522-ZE1-810	MARK, CAUTION	1	3254423
003	87522-ZE1-810	MARK, CAUTION	(1)	3165403 3254423
006	87526-ZH8-000	MARK B, COMBINATION (JAPANESE)	1	3410599

<u>Ref</u>	<u>Partnumber</u>	<u>Description</u>	<u>GX240K1</u>	<u>Serial Numbers</u>
006	87526-ZH8-000	MARK B, COMBINATION (JAPANESE)	(1)	3398936
007	87528-ZE2-000	MARK, CHOKE (INTERNAL)	1	3165402
007	87528-ZE2-000	MARK, CHOKE (INTERNAL)	(1)	3165402
009	87530-ZE2-820	SUB EMBLEM (INTERNAL)	(1)	
009	87530-ZE2-820	SUB EMBLEM (INTERNAL)	(1)	
009	87530-ZE2-W41	LABEL, SPECIFICATION	1	
009	87530-ZE2-W41	LABEL, SPECIFICATION	(1)	
010	87532-ZB4-G60	MARK, OIL ALERT (GERMAN)	1	3171791
010	87532-ZB4-G60	MARK, OIL ALERT (GERMAN)	(1)	3171791
010	87532-ZB4-H50	MARK, OIL ALERT (FRENCH)	(1)	3171791 3481104
010	87532-ZB4-H50	MARK, OIL ALERT (FRENCH)	(1)	3171791
011	87532-ZE1-000	MARK, OIL ALERT (INTERNAL)	1	3116814
011	87532-ZE1-000	MARK, OIL ALERT (INTERNAL)	(1)	3116814
012	87532-ZH8-000	MARK, OIL ALERT	1	4883722
012	87532-ZH8-000	MARK, OIL ALERT	(1)	3116815
014	87534-ZE1-841	LABEL, AIR CLEANER CAUTION	1	
014	87534-ZE1-841	LABEL, AIR CLEANER CAUTION	(1)	
015	87535-ZE1-840	MARK, AIR CLEANER SALES POINT	1	
015	87535-ZE1-840	MARK, AIR CLEANER SALES POINT	(1)	
018	87565-ZE2-000	MARK, FUEL INDICATION (JAPANESE)	1	
018	87565-ZE2-000	MARK, FUEL INDICATION (JAPANESE)	(1)	4081616
031	87135-ZE2-000	LABEL, E-SPEC (HONDA) (EPA STANDARD) (15	1	4081617 4217821
031	87135-ZE2-000	LABEL, E-SPEC (HONDA) (EPA STANDARD) (15	1	4081617 4217821
031	87135-ZE2-010	LABEL, E-SPEC (EPA STANDARD) (15.5X60.0)	1	4217822
031	87135-ZE2-010	LABEL, E-SPEC (EPA STANDARD) (15.5X60.0)	1	4217822



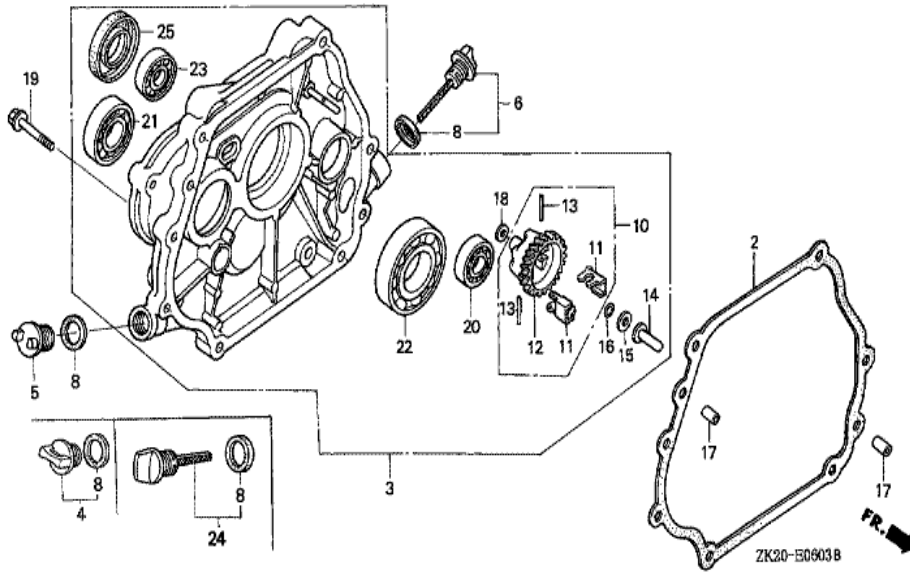
ZK20E2900A

<u>Ref</u>	<u>Partnumber</u>	<u>Description</u>	<u>GX240K1</u>	<u>Serial Numbers</u>
006	89000-ZE1-000	TOOL KIT	1	3567210
006	89000-ZE1-000	TOOL KIT	(1)	
013	89218-ZE1-000	WRENCH COMP., SPARK PLUG	1	
013	89218-ZE1-000	WRENCH COMP., SPARK PLUG	(1)	
014	89219-805-000	HANDLE, BOX WRENCH	1	3656815
014	89219-805-000	HANDLE, BOX WRENCH	(1)	
015	89220-ZE2-000	PIPE, BOX WRENCH EXTENSION	(1)	
016	90755-758-L00	PIN, ROLLER ARM, 8X22	(1)	
017	94252-08000	PIN, LOCK, 8MM	(1)	
020	99001-10120	SPANNER, 10X12	1	3656815
020	99001-10120	SPANNER, 10X12	(1)	
022	99001-14170	SPANNER, 14X17	(1)	
022	99001-14170	SPANNER, 14X17	(1)	
<u>Ref</u>	<u>Partnumber</u>	<u>Description</u>	<u>GX240K1</u>	<u>Serial Numbers</u>
023	99004-21003	WRENCH, BOX (P21)	(1)	
024	99008-02300	BAG, TOOL, 230MM	1	3656815
024	99008-02300	BAG, TOOL, 230MM	(1)	



Ref	Partnumber	Description	GX240K1	Serial Numbers
001	12000-ZE2-040	BARREL ASSY., CYLINDER (STD.)	1	4081304
001	12000-ZE2-040	BARREL ASSY., CYLINDER (STD.)	(1)	
001	12000-ZE2-815	BARREL ASSY., CYLINDER (ALERT)	1	
001	12000-ZE2-815	BARREL ASSY., CYLINDER (ALERT)	(1)	
001	12000-ZE2-824	BARREL ASSY., CYLINDER (SELFSTARTER+ALER)	1	4081304
001	12000-ZE2-824	BARREL ASSY., CYLINDER (SELFSTARTER+ALER)	(1)	
001	12000-ZE2-865	BARREL ASSY., CYLINDER (SELF-STARTER)	1	4081305
001	12000-ZE2-865	BARREL ASSY., CYLINDER (SELF-STARTER)	(1)	
002	15510-ZE2-043	SWITCH ASSY., OIL LEVEL	1	
002	15510-ZE2-043	SWITCH ASSY., OIL LEVEL	(1)	
003	16541-ZE2-010	SHAFT, GOVERNOR ARM	1	
004	32197-ZE2-003	SUB HARNESS	1	3566259
004	32197-ZE2-003	SUB HARNESS	(1)	3116815 3566259

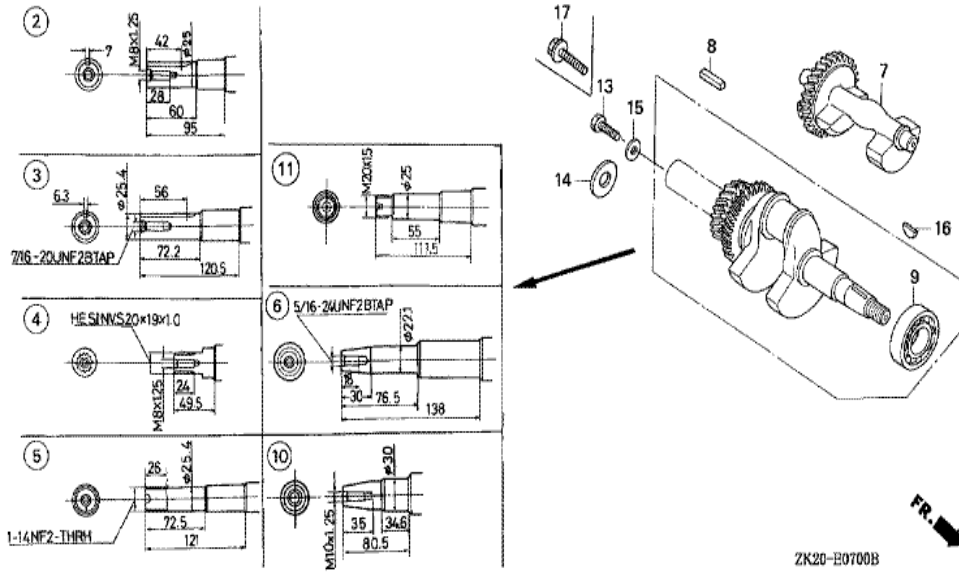
<u>Ref</u>	<u>Partnumber</u>	<u>Description</u>	<u>GX240K1</u>	<u>Serial Numbers</u>
005	90013-883-000	BOLT, FLANGE, 6X12 (CT200)	1	3116815 3566259
005	90013-883-000	BOLT, FLANGE, 6X12 (CT200)	(1)	3116815 3566259
006	90131-883-000	BOLT, DRAIN PLUG, 12X15	2	
007	90446-KE1-000	WASHER, 8.2X17X0.8	1	
008	94109-12000	WASHER, DRAIN PLUG, 12MM	2	
009	90801-ZE2-003	PLUG, SEALING (RUBBER 10MM)	1	
009	90801-ZE2-003	PLUG, SEALING (RUBBER 10MM)	(1)	
010	91201-890-003	OIL SEAL, 30X46X8	1	
010	91201-890-003	OIL SEAL, 30X46X8	(1)	
011	91203-952-771	OIL SEAL, 8X14X5	1	
012	91353-671-004	O-RING, 14MM (NOK)	1	
012	91353-671-004	O-RING, 14MM (NOK)	(1)	
013	94050-10000	NUT, FLANGE, 10MM	1	
013	94050-10000	NUT, FLANGE, 10MM	(1)	
014	94251-08000	PIN, LOCK, 8MM	1	3332421
014	94251-10000	PIN, LOCK, 10MM	1	3332422
014	94251-10000	PIN, LOCK, 10MM	1	3332422
015	95701-0601200	BOLT, FLANGE, 6X12	2	
015	95701-0601200	BOLT, FLANGE, 6X12	(2)	



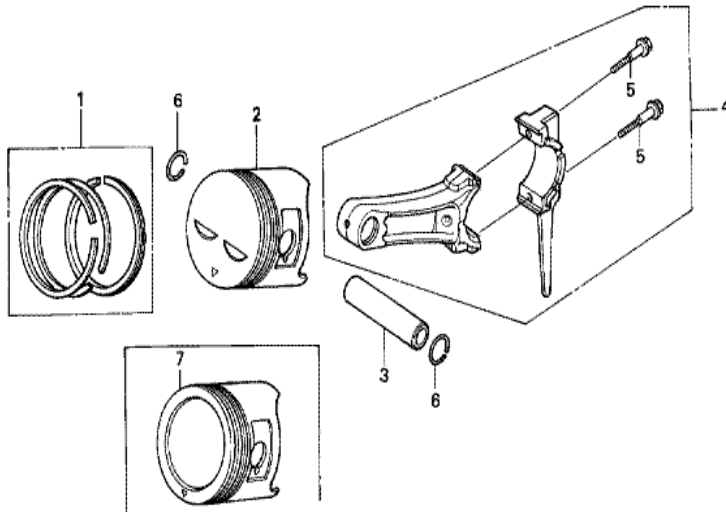
Ref	Partnumber	Description	GX240K1	Serial Numbers
002	11381-ZE2-801	PACKING, CASE COVER	1	
003	11300-ZE2-610	COVER ASSY., CRANKCASE	1	4211335
003	11300-ZE2-610	COVER ASSY., CRANKCASE	1	4211335
003	11300-ZE2-611	COVER ASSY., CRANKCASE	1	4211336
003	11300-ZE2-611	COVER ASSY., CRANKCASE	1	4211336
004	15600-ZG4-003	CAP ASSY., OIL FILLER	1	3210414
004	15600-ZG4-003	CAP ASSY., OIL FILLER	1	3210414
005	15620-ZG4-910	CAP, OIL FILLER	1	3210414
005	15620-ZG4-910	CAP, OIL FILLER	1	3210414
005	15620-ZG4-910	CAP, OIL FILLER	1	3210414
005	15620-ZG4-910	CAP, OIL FILLER	1	3210413
006	15600-735-003	CAP ASSY., OIL FILLER	1	3210414
006	15600-735-003	CAP ASSY., OIL FILLER	(1)	3210414
006	15600-735-700	CAP ASSY., OIL FILLER	1	3210413
006	15600-735-700	CAP ASSY., OIL FILLER	(1)	3210413

<u>Ref</u>	<u>Partnumber</u>	<u>Description</u>	<u>GX240K1</u>	<u>Serial Numbers</u>
008	15625-ZE1-003	PACKING, OIL FILLER CAP	1	
008	15625-ZE1-003	PACKING, OIL FILLER CAP	2	
008	15625-ZE1-003	PACKING, OIL FILLER CAP	2	
010	16510-ZE2-000	GOVERNOR ASSY.	1	
011	16511-ZE2-000	WEIGHT, GOVERNOR	2	
012	16512-ZE2-000	HOLDER, GOVERNOR WEIGHT	1	
013	16513-ZE2-000	PIN, GOVERNOR WEIGHT	2	
014	16531-Z0A-000	SLIDER, GOVERNOR	1	4211336
014	16531-ZE2-000	SLIDER, GOVERNOR	1	4211335
014	16531-ZE2-000	SLIDER, GOVERNOR	1	4211335
015	90473-147-000	WASHER, 6X16	1	3191475
015	90473-147-000	WASHER, 6X16	1	4211336
015	90473-147-000	WASHER, 6X16	1	3191475
015	90473-147-000	WASHER, 6X16	1	4211336
016	90602-ZE1-000	CLIP, GOVERNOR HOLDER	1	
017	90701-HC4-000	DOWEL PIN, 8X12	2	
018	94101-06800	WASHER, PLAIN, 6MM	1	
019	95701-0803500	BOLT, FLANGE, 8X35	7	
021	96100-6204000	BEARING, RADIAL BALL, 6204	1	
022	96100-6206000	BEARING, RADIAL BALL, 6206	1	





Ref	Partnumber	Description	GX240K1	Serial Numbers
004	13310-ZE2-611	CRANKSHAFT COMP.	1	4769508
009	96100-6206000	BEARING, RADIAL BALL, 6206	1	
016	90741-ZE2-000	KEY, SPECIAL WOODRUFF, 25X18	1	
016	90741-ZE2-000	KEY, SPECIAL WOODRUFF, 25X18	1	

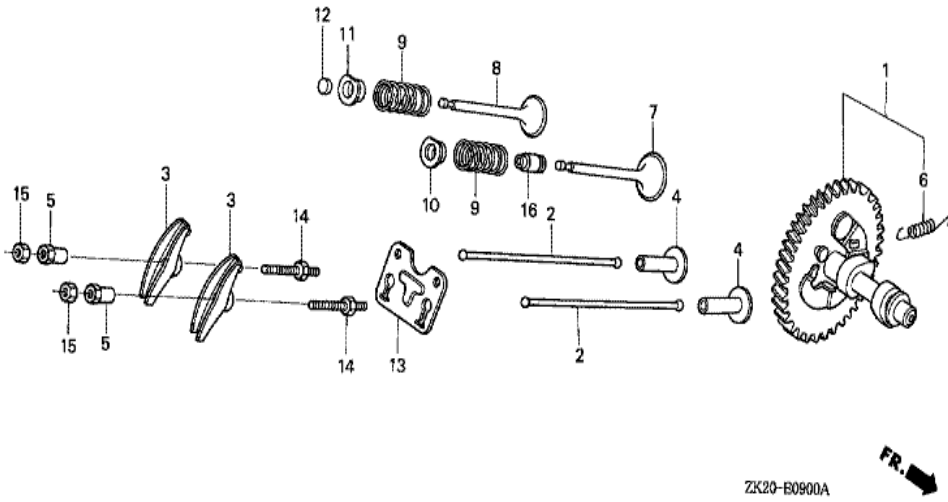


ZK20-E0800A

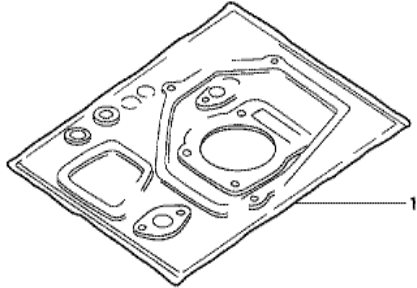


Ref	Partnumber	Description	GX240K1	Serial Numbers
001	13010-Z5F-004	RING SET, PISTON (STD.) (TEIKOKU)	1	4081305
001	13010-Z5F-004	RING SET, PISTON (STD.) (TEIKOKU)	1	4869815
001	13010-ZE2-013	RING SET, PISTON (STD.) (NIPPON)	1	4081304
001	13010-ZE2-013	RING SET, PISTON (STD.) (NIPPON)	1	4081304
001	13010-ZE2-014	RING SET, PISTON (STD.) (TEIKOKU)	1	4081304
001	13010-ZE2-014	RING SET, PISTON (STD.) (TEIKOKU)	1	4081304
001	13010-ZE2-921	RING SET, PISTON (STD.) (TEIKOKU)	1	4869814
001	13010-ZE2-921	RING SET, PISTON (STD.) (TEIKOKU)	1	4081305
001	13010-ZE2-922	RING SET, PISTON (STD.) (NIPPON)	1	
001	13010-ZE2-922	RING SET, PISTON (STD.) (NIPPON)	1	
001	13010-ZE2-922	RING SET, PISTON (STD.) (NIPPON)	1	4081305
001	13011-Z5F-004	RING SET, PISTON (0.25) (TEIKOKU)	(1)	
001	13011-ZE2-013	RING SET, PISTON (0.25) (NIPPON)	(1)	4081304

<u>Ref</u>	<u>Partnumber</u>	<u>Description</u>	<u>GX240K1</u>	<u>Serial Numbers</u>
001	13011-ZE2-013	RING SET, PISTON (0.25) (NIPPON)	(1)	4081304
001	13011-ZE2-014	RING SET, PISTON (0.25) (TEIKOKU)	(1)	
001	13011-ZE2-014	RING SET, PISTON (0.25) (TEIKOKU)	(1)	4081304
001	13011-ZE2-921	RING SET, PISTON (0.25) (TEIKOKU)	(1)	
001	13011-ZE2-921	RING SET, PISTON (0.25) (TEIKOKU)	(1)	4081305
001	13011-ZE2-922	RING SET, PISTON (0.25) (NIPPON)	(1)	4081305
001	13011-ZE2-922	RING SET, PISTON (0.25) (NIPPON)	(1)	4081305
001	13012-ZE2-013	RING SET, PISTON (0.50) (NIPPON)	(1)	
001	13012-ZE2-013	RING SET, PISTON (0.50) (NIPPON)	(1)	4081304
001	13012-ZE2-014	RING SET, PISTON (0.50) (TEIKOKU)	(1)	
001	13012-ZE2-014	RING SET, PISTON (0.50) (TEIKOKU)	(1)	4081304
001	13012-ZE2-921	RING SET, PISTON (0.50) (TEIKOKU)	(1)	4081305
001	13012-ZE2-921	RING SET, PISTON (0.50) (TEIKOKU)	(1)	4081305
001	13012-ZE2-922	RING SET, PISTON (0.50) (NIPPON)	(1)	4869814
001	13012-ZE2-922	RING SET, PISTON (0.50) (NIPPON)	(1)	4081305
001	13013-ZE2-013	RING SET, PISTON (0.75) (NIPPON)	(1)	
001	13013-ZE2-013	RING SET, PISTON (0.75) (NIPPON)	(1)	4081304
001	13013-ZE2-014	RING SET, PISTON (0.75) (TEIKOKU)	(1)	4081304
001	13013-ZE2-014	RING SET, PISTON (0.75) (TEIKOKU)	(1)	4081304
001	13013-ZE2-921	RING SET, PISTON (0.75) (TEIKOKU)	(1)	
001	13013-ZE2-921	RING SET, PISTON (0.75) (TEIKOKU)	(1)	4081305
001	13013-ZE2-922	RING SET, PISTON (0.75) (NIPPON)	(1)	
001	13013-ZE2-922	RING SET, PISTON (0.75) (NIPPON)	(1)	4081305
002	13101-ZE2-W00	PISTON (STD.)	1	4869814
002	13102-ZE2-W00	PISTON (0.25)	(1)	
002	13102-ZE2-W00	PISTON (0.25)	(1)	
002	13103-ZE2-W00	PISTON (0.50)	(1)	4869814
002	13103-ZE2-W00	PISTON (0.50)	(1)	
002	13104-ZE2-W00	PISTON (0.75)	(1)	
002	13104-ZE2-W00	PISTON (0.75)	(1)	
003	13111-ZE2-000	PIN, PISTON	1	
004	13200-ZE2-010	ROD ASSY., CONNECTING (STD.)	1	
004	13200-ZE2-305	ROD ASSY., CONNECTING (0.25 UNDER SIZE)	(1)	
<u>Ref</u>	<u>Partnumber</u>	<u>Description</u>	<u>GX240K1</u>	<u>Serial Numbers</u>
004	13200-ZE2-305	ROD ASSY., CONNECTING (0.25 UNDER SIZE)	(1)	
005	90001-ZE8-000	BOLT, CONNECTING ROD	2	
006	90551-ZE1-000	CLIP, PISTON PIN, 18MM	2	



Ref	Partnumber	Description	GX240K1	Serial Numbers
001	14100-ZH9-000	CAMSHAFT ASSY.	1	
001	14100-ZH9-000	CAMSHAFT ASSY.	1	3620888
001	14100-ZH9-010	CAMSHAFT ASSY.	1	3620889
001	14100-ZH9-010	CAMSHAFT ASSY.	1	3620889
002	14410-ZE2-013	ROD, PUSH	2	
003	14431-ZE2-010	ARM, VALVE ROCKER	2	
003	14431-ZE2-010	ARM, VALVE ROCKER	2	
004	14441-ZE2-000	LIFTER, VALVE	2	
005	14451-ZE1-013	PIVOT, ROCKER ARM	2	
006	14568-ZE1-000	SPRING, WEIGHT RETURN	1	
007	14711-ZE2-000	VALVE, IN.	1	
008	14721-ZE2-000	VALVE, EX.	1	
008	14721-ZE2-000	VALVE, EX.	(1)	
Ref	Partnumber	Description	GX240K1	Serial Numbers
008	14721-ZE2-810	VALVE, EX. (STELLITE)	1	
008	14721-ZE2-810	VALVE, EX. (STELLITE)	1	
009	14751-ZE2-003	SPRING, VALVE	2	
010	14771-ZE2-000	RETAINER, IN. VALVE SPRING	1	
011	14773-ZE2-000	RETAINER, EX. VALVE SPRING	1	
011	14773-ZE2-000	RETAINER, EX. VALVE SPRING	1	
012	14781-ZE2-000	ROTATOR, VALVE	1	
013	14791-ZE2-010	GUIDE, PUSH ROD	1	
014	90012-ZE0-010	BOLT, PIVOT, 8MM	2	
015	90206-ZE1-000	NUT, PIVOT ADJUSTING	2	
016	12209-ZE8-003	SEAL, VALVE STEM	1	4081305
016	12209-ZE8-003	SEAL, VALVE STEM	1	4081305



HENG-X0003

<u>Ref</u>	<u>Partnumber</u>	<u>Description</u>	<u>GX240K1</u>	<u>Serial Numbers</u>
001	061A1-ZE2-020	GASKET KIT	1	4045100
001	061A1-ZE2-020	GASKET KIT	1	4045100
001	061A1-ZE2-040	GASKET KIT	1	4045100
001	061A1-ZE2-040	GASKET KIT	1	3146327 4045100
001	061C1-ZE2-010	GASKET KIT	1	3146326
001	061C1-ZE2-010	GASKET KIT	1	3146326