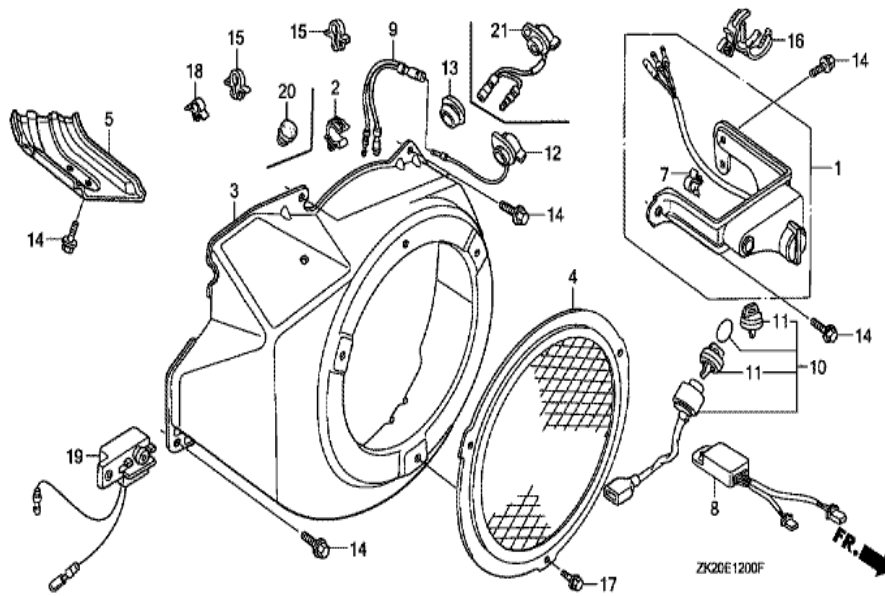


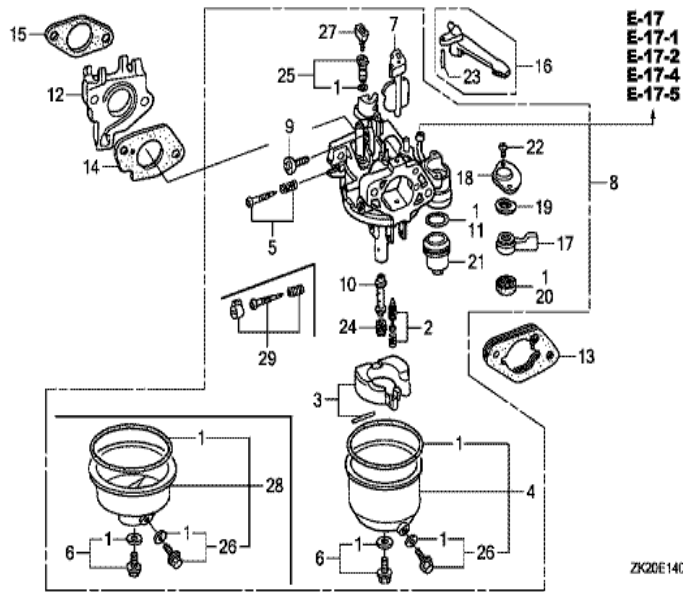
ZK20-E1100A



| <u>Ref</u> | <u>Partnumber</u> | <u>Description</u>                 | <u>GX240K1</u> | <u>Serial Numbers</u> |
|------------|-------------------|------------------------------------|----------------|-----------------------|
| 001        | 28400-ZE2-W01ZA   | STARTER ASSY., RECOIL *R8 *        | 1              |                       |
| 001        | 28400-ZE2-W01ZA   | STARTER ASSY., RECOIL *R8 *        | 1              | 4465232               |
| 001        | 28400-ZE2-W01ZN   | STARTER ASSY., RECOIL *R280 *      | 1              |                       |
| 001        | 28400-ZE2-W01ZN   | STARTER ASSY., RECOIL *R280 *      | 1              | 4465233               |
| 002        | 28410-ZE2-W01ZA   | CASE COMP., RECOIL STARTER *R8 *   | 1              |                       |
| 002        | 28410-ZE2-W01ZA   | CASE COMP., RECOIL STARTER *R8 *   | 1              | 4465232               |
| 002        | 28410-ZE2-W01ZN   | CASE COMP., RECOIL STARTER *R280 * | 1              | 4465233               |
| 002        | 28410-ZE2-W01ZN   | CASE COMP., RECOIL STARTER *R280 * | 1              | 4465233               |
| 003        | 28421-ZE2-W01     | PULLEY, RECOIL STARTER             | 1              |                       |
| 004        | 28422-ZE2-W01     | RATCHET, STARTER                   | 2              |                       |
| 005        | 28441-ZE2-W01     | SPRING, FRICTION                   | 1              |                       |
| 006        | 28442-ZE2-W01     | SPRING, STARTER RETURN             | 1              |                       |
| 007        | 28443-ZE2-W01     | SPRING, RATCHET                    | 2              |                       |
| <u>Ref</u> | <u>Partnumber</u> | <u>Description</u>                 | <u>GX240K1</u> | <u>Serial Numbers</u> |
| 008        | 28444-ZE2-W01     | RETAINER, SPRING                   | 1              |                       |
| 010        | 28461-ZE2-W02     | GRIP, STARTER                      | 1              | 4914022               |
| 011        | 28462-ZE2-W11     | ROPE, RECOIL STARTER               | 1              |                       |
| 011        | 28462-ZE2-W11     | ROPE, RECOIL STARTER               | 1              |                       |
| 013        | 90004-ZE2-W01     | SCREW, CENTER                      | 1              |                       |
| 014        | 90008-ZE2-003     | BOLT, FLANGE, 6X10                 | 3              |                       |



| Ref | Partnumber      | Description                | GX240K1 | Serial Numbers |
|-----|-----------------|----------------------------|---------|----------------|
| 002 | 16731-ZE2-003   | CLIP, TUBE                 | 1       |                |
| 003 | 19610-ZE2-010ZL | COVER COMP., FAN *R280 *   | (1)     |                |
| 003 | 19610-ZE2-010ZL | COVER COMP., FAN *R280 *   | 1       |                |
| 005 | 19631-ZE2-D00   | SHROUD                     | 1       |                |
| 014 | 90013-883-000   | BOLT, FLANGE, 6X12 (CT200) | 8       | 3116814        |
| 014 | 90013-883-000   | BOLT, FLANGE, 6X12 (CT200) | 6       | 3116815        |
| 021 | 36100-ZH7-W41   | SWITCH ASSY., ENGINE STOP  | 1       | 3566260        |
| 021 | 36100-ZH7-W41   | SWITCH ASSY., ENGINE STOP  | 1       |                |

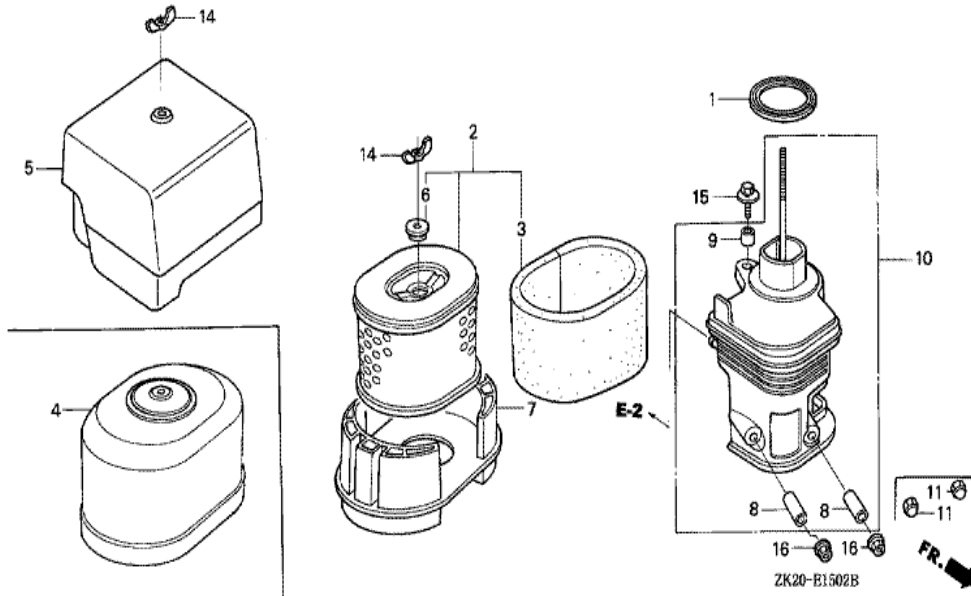


FR. →

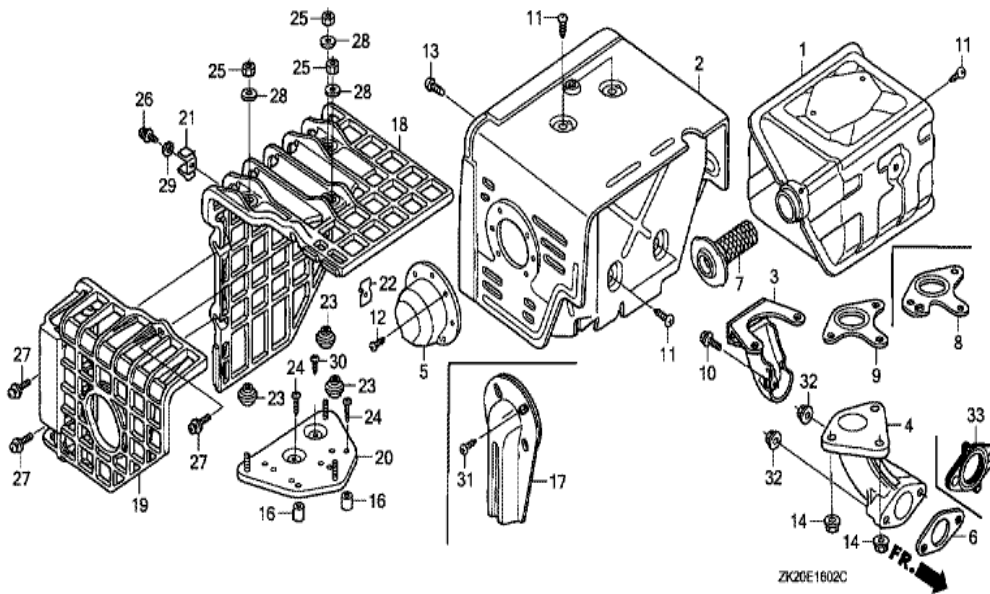
ZK20E1403E

| Ref | Partnumber    | Description                  | GX240K1 | Serial Numbers |
|-----|---------------|------------------------------|---------|----------------|
| 001 | 16010-ZE2-812 | GASKET SET                   | 1       |                |
| 002 | 16011-ZA0-931 | VALVE SET, FLOAT             | 1       |                |
| 003 | 16013-ZA0-931 | FLOAT SET                    | 1       |                |
| 006 | 16028-ZE0-005 | SCREW SET                    | 1       |                |
| 007 | 16044-ZE2-005 | CHOKE SET                    | 1       |                |
| 008 | 16100-ZE2-W71 | CARBURETOR ASSY. (BE70B B/C) | 1       |                |
| 008 | 16100-ZE2-W71 | CARBURETOR ASSY. (BE70B B/C) | 1       |                |
| 009 | 16124-ZE0-005 | SCREW, THROTTLE STOP         | 1       |                |
| 010 | 16166-ZE2-W70 | NOZZLE, MAIN                 | 1       |                |
| 010 | 16166-ZE2-W70 | NOZZLE, MAIN                 | 1       | BE70B B        |
| 011 | 16173-001-004 | PACKING, FUEL STRAINER CUP   | (1)     |                |
| 012 | 16211-ZE2-000 | INSULATOR, CARBURETOR        | 1       | 4926607        |
| 013 | 16220-ZA0-702 | SPACER COMP., CARBURETOR     | 1       |                |

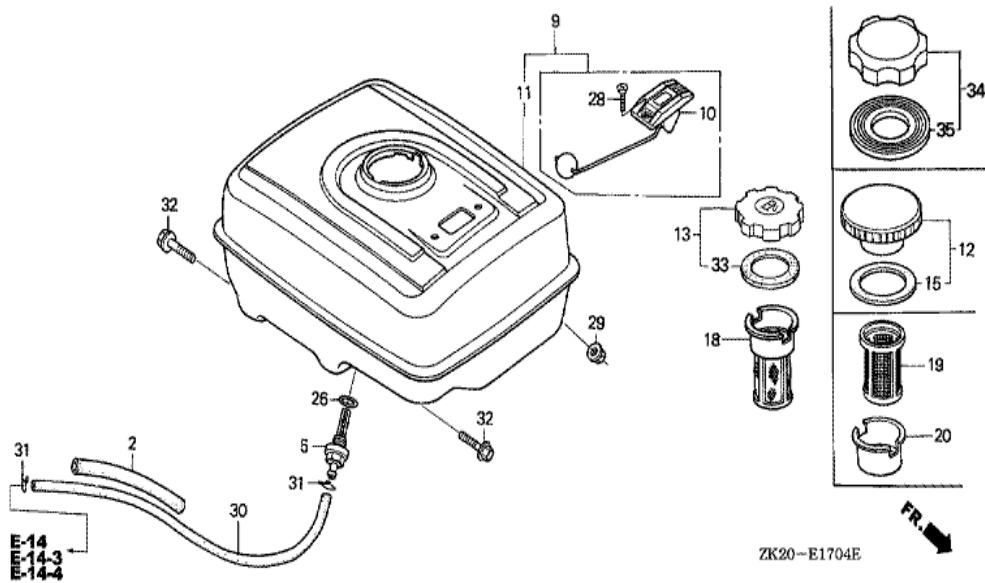
| <u>Ref</u> | <u>Partnumber</u> | <u>Description</u>        | <u>GX240K1</u> | <u>Serial Numbers</u> |
|------------|-------------------|---------------------------|----------------|-----------------------|
| 014        | 16221-ZA0-800     | PACKING, CARBURETOR       | (1)            |                       |
| 014        | 16221-ZA0-800     | PACKING, CARBURETOR       | 1              |                       |
| 015        | 16223-ZA0-800     | PACKING, INSULATOR        | 1              | 3151975               |
| 015        | 16223-ZA0-800     | PACKING, INSULATOR        | 1              |                       |
| 016        | 16610-ZE1-000     | LEVER COMP., CHOKE (STD.) | 1              |                       |
| 017        | 16953-ZE1-812     | LEVER, COCK               | 1              | BE16D B               |
| 018        | 16954-ZE1-812     | PLATE, LEVER SETTING      | 1              | BE70A B               |
| 019        | 16956-ZE1-811     | SPRING, COCK LEVER        | (1)            |                       |
| 020        | 16957-ZE1-812     | PACKING, FUEL COCK        | 1              |                       |
| 021        | 16967-ZE0-811     | CUP, FUEL STRAINER        | 1              |                       |
| 022        | 93500-030061H     | SCREW, PAN, 3X6           | 2              | BE16D B               |
| 023        | 94305-20122       | PIN, SPRING, 2X12         | 1              |                       |
| 024        | 99101-ZH80820     | JET, MAIN, #82            | (1)            |                       |
| 024        | 99101-ZH80850     | JET, MAIN, #85            | (1)            | BE70B B               |
| 024        | 99101-ZH80880     | JET, MAIN, #88            | 1              | BE70B B               |
| 025        | 99204-ZA00400     | JET SET, PILOT, #40       | 1              | BE70B C               |
| 025        | 99204-ZA00400     | JET SET, PILOT, #40       | 1              | BE70B C               |
| 025        | 99204-ZE00400     | JET SET, PILOT, #40       | 1              | BE70B B               |
| 025        | 99204-ZE00400     | JET SET, PILOT, #40       | 1              | BE70B B               |
| 026        | 16024-ZE1-811     | SCREW SET, DRAIN          | 1              | BE70A B               |
| 027        | 16172-ZE3-W10     | COLLAR, SETTING           | 1              | BE70B B               |
| 028        | 16015-ZE8-005     | CHAMBER SET, FLOAT        | 1              | BE70B B               |
| 029        | 16016-ZH7-W01     | SCREW SET, PILOT          | 1              |                       |



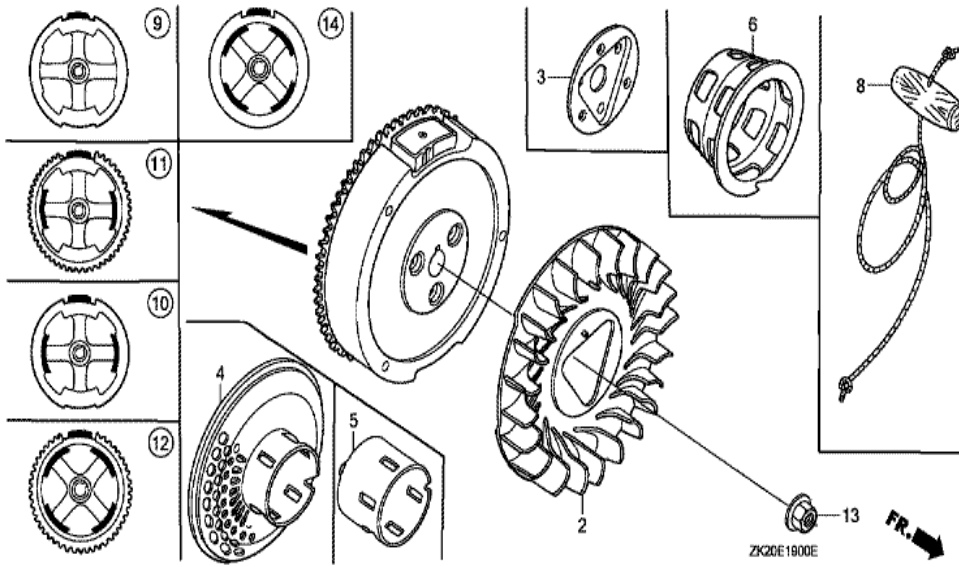
| <u>Ref</u> | <u>Partnumber</u> | <u>Description</u>          | <u>GX240K1</u> | <u>Serial Numbers</u> |
|------------|-------------------|-----------------------------|----------------|-----------------------|
| 001        | 16271-ZE2-010     | PACKING, ELBOW              | 1              |                       |
| 001        | 16271-ZE2-010     | PACKING, ELBOW              | 1              |                       |
| 002        | 17210-ZE2-822     | ELEMENT, AIR CLEANER (DUAL) | 1              |                       |
| 003        | 17218-ZE2-821     | FILTER, OUTER               | 1              |                       |
| 005        | 17231-ZH9-820     | COVER, AIR CLEANER          | 1              |                       |
| 006        | 17232-891-000     | GROMMET, AIR CLEANER        | 1              |                       |
| 007        | 17235-ZE2-820     | NOSE, SILENCER              | 1              |                       |
| 008        | 17238-ZE2-310     | COLLAR, AIR CLEANER         | 2              |                       |
| 009        | 17239-ZE1-000     | COLLAR B, AIR CLEANER       | 1              |                       |
| 010        | 17410-ZE2-020     | ELBOW COMP., AIR CLEANER    | 1              |                       |
| 014        | 90325-044-000     | NUT, TOOL BOX SETTING       | 2              |                       |
| 015        | 90009-ZE2-003     | BOLT-WASHER, 6X22           | 1              |                       |
| 015        | 90009-ZE2-003     | BOLT-WASHER, 6X22           | (1)            |                       |
| <u>Ref</u> | <u>Partnumber</u> | <u>Description</u>          | <u>GX240K1</u> | <u>Serial Numbers</u> |
| 016        | 94050-06000       | NUT, FLANGE, 6MM            | 2              |                       |



| <u>Ref</u> | <u>Partnumber</u> | <u>Description</u>                | <u>GX240K1</u> | <u>Serial Numbers</u> |
|------------|-------------------|-----------------------------------|----------------|-----------------------|
| 001        | 18310-ZE2-W61     | MUFFLER COMP. (100DB)             | 1              |                       |
| 002        | 18320-ZE2-W61     | PROTECTOR COMP., MUFFLER          | 1              |                       |
| 004        | 18330-ZH9-N00     | PIPE, EX.                         | 1              |                       |
| 009        | 18381-ZE2-800     | GASKET, MUFFLER (NIPPON LEAKLESS) | 1              |                       |
| 011        | 90050-ZE1-000     | SCREW, TAPPING, 5X8               | 4              |                       |
| 013        | 90006-ZE2-000     | SCREW, TAPPING, 6X10              | 1              |                       |
| 013        | 90006-ZE2-000     | SCREW, TAPPING, 6X10              | (1)            | 3151975               |
| 014        | 94050-08000       | NUT, FLANGE, 8MM                  | 3              |                       |
| 016        | 17233-896-701     | COLLAR, AIR CLEANER CASE          | (2)            | 3302522               |
| 017        | 18430-ZK9-W50     | DEFLECTOR COMP., MUFFLER          | (1)            |                       |
| 017        | 18430-ZK9-W50     | DEFLECTOR COMP., MUFFLER          | (1)            |                       |
| 018        | 18433-ZF6-W40     | COVER COMP., MUFFLER              | (1)            | 3302522               |
| 019        | 18434-ZF6-W40     | COVER COMP., RR. MUFFLER          | (1)            | 3302522               |
| <u>Ref</u> | <u>Partnumber</u> | <u>Description</u>                | <u>GX240K1</u> | <u>Serial Numbers</u> |
| 020        | 18436-ZH8-W40     | BASE COMP., MUFFLER COVER         | (1)            | 3302522               |
| 021        | 18437-ZF6-W40     | STAY, MUFFLER COVER               | (1)            | 3302522               |
| 022        | 18438-ZF6-W40     | PLATE, SET                        | (1)            |                       |
| 023        | 18466-ZH8-W40     | SPACER, MUFFLER COVER             | (3)            | 3302522               |
| 024        | 90050-ZH8-W40     | SCREW, TAPPING, 5X25              | (2)            | 3302522               |
| 025        | 90302-KF9-900     | NUT, HEX., 5MM                    | (3)            |                       |
| 026        | 93891-0501200     | SCREW-WASHER, 5X12                | (1)            | 3302522               |
| 027        | 93891-0602007     | SCREW-WASHER, 6X20                | (3)            | 3302522               |
| 028        | 94103-05700       | WASHER, PLAIN, 5MM                | (3)            | 3302522               |
| 029        | 94111-05000       | WASHER, SPRING, 5MM               | (1)            | 3302522               |
| 030        | 90050-ZE1-000     | SCREW, TAPPING, 5X8               | (1)            | 3302522               |
| 031        | 90055-ZE1-000     | SCREW, TAPPING, 4X6               | (2)            |                       |
| 031        | 90055-ZE1-000     | SCREW, TAPPING, 4X6               | (2)            |                       |
| 032        | 94050-08000       | NUT, FLANGE, 8MM                  | 2              |                       |
| 033        | 18333-ZF6-W01     | GASKET, EX. PIPE                  | 1              | 3844353               |

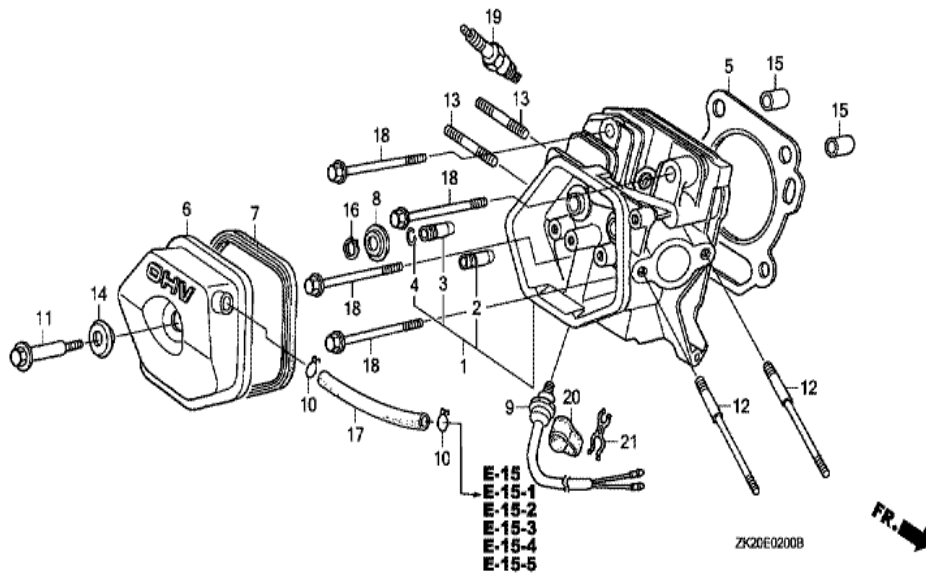


| Ref | Partnumber      | Description                              | GX240K1 | Serial Numbers  |
|-----|-----------------|--|---------|-----------------|
| 002 | 16854-ZH8-000   | RUBBER, SUPPORTER (107MM)                | 1       | 3411798         |
| 002 | 16854-ZH8-000   | RUBBER, SUPPORTER (107MM)                | 1       |                 |
| 005 | 16955-ZE1-000   | JOINT, FUEL TANK                         | 1       |                 |
| 011 | 17510-ZE2-010ZA | TANK COMP., FUEL *NH31 *                 | 1       |                 |
| 011 | 17510-ZE2-010ZA | TANK COMP., FUEL *NH31 *                 | 1       | 4568628         |
| 011 | 17510-ZE2-020ZA | TANK COMP., FUEL *NH31 *                 | 1       | 4568629 4776725 |
| 011 | 17510-ZE2-020ZA | TANK COMP., FUEL *NH31 *                 | 1       | 4568629 4776725 |
| 011 | 17510-ZE2-800ZC | TANK COMP., FUEL *NH31 *                 | 1       | 4776726 4845181 |
| 011 | 17510-ZE2-800ZC | TANK COMP., FUEL *NH31 *                 | 1       | 4776726         |
| 013 | 17620-ZH7-023   | CAP COMP., FUEL FILLER (BLACK)           | (1)     | 3254424         |
| 013 | 17620-ZH7-023   | CAP COMP., FUEL FILLER (BLACK)           | 1       | 4495553         |
| 026 | 91353-671-004   | O-RING, 14MM (NOK)                       | 1       |                 |
| 029 | 94050-08000     | NUT, FLANGE, 8MM                         | 2       |                 |
| Ref | Partnumber      | Description                              | GX240K1 | Serial Numbers  |
| 030 | 95001-4522240   | TUBE, FUEL, 4.5X222 (95001-45001-60M)    | 1       |                 |
| 031 | 95002-02080     | CLIP, TUBE (B8)                          | 2       |                 |
| 032 | 95701-0802500   | BOLT, FLANGE, 8X25                       | 2       |                 |
| 032 | 95701-0802500   | BOLT, FLANGE, 8X25                       | 2       |                 |
| 033 | 17631-ZH7-003   | PACKING, FUEL FILLER CAP (39X58X3)       | 1       | 4495553         |
| 033 | 17631-ZH7-003   | PACKING, FUEL FILLER CAP (39X58X3)       | 1       | 4495553         |
| 034 | 17620-Z0T-305   | CAP COMP., FUEL FILLER (CHROME PLATED)   | 1       | 4495554         |
| 034 | 17620-Z0T-305   | CAP COMP., FUEL FILLER (CHROME PLATED)   | 1       | 4495554         |
| 035 | 17631-Z0T-812   | PACKING, FUEL FILLER CAP (39X62X3) (TOUY | 1       | 4495554         |
| 035 | 17631-Z0T-812   | PACKING, FUEL FILLER CAP (39X62X3) (TOUY | 1       | 4495554         |

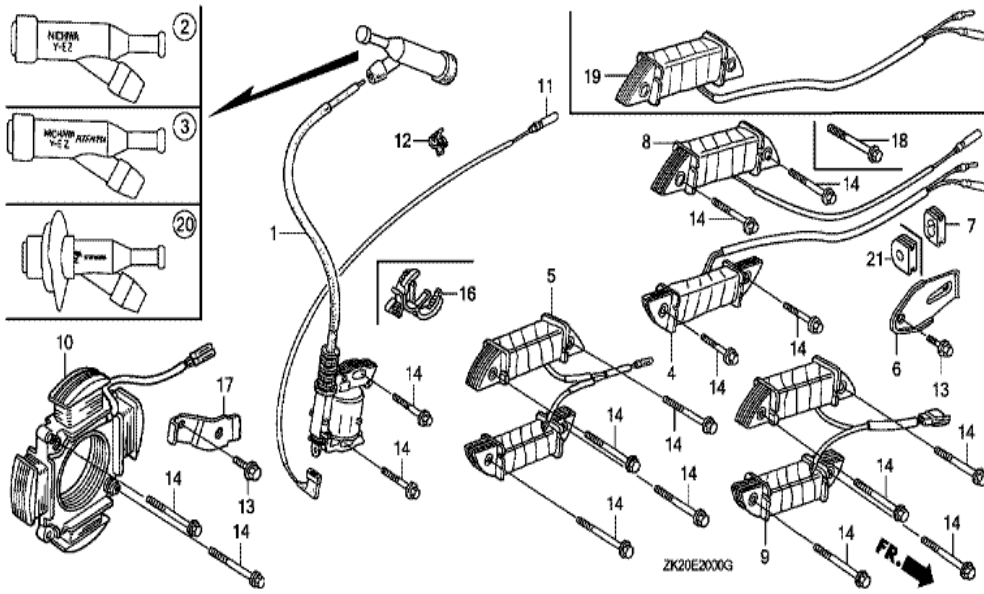


| Ref | Partnumber    | Description                         | GX240K1 | Serial Numbers |
|-----|---------------|-------------------------------------|---------|----------------|
| 002 | 19511-ZE2-000 | FAN, COOLING                        | 1       |                |
| 004 | 28450-ZE2-W11 | PULLEY COMP., STARTER (SCREEN GRID) | 1       |                |
| 009 | 31100-ZE2-010 | FLYWHEEL COMP.                      | 1       | 3337056        |
| 013 | 90201-ZE3-V00 | NUT, SPECIAL, 16MM                  | 1       |                |
| 013 | 90201-ZE3-V00 | NUT, SPECIAL, 16MM                  | 1       |                |

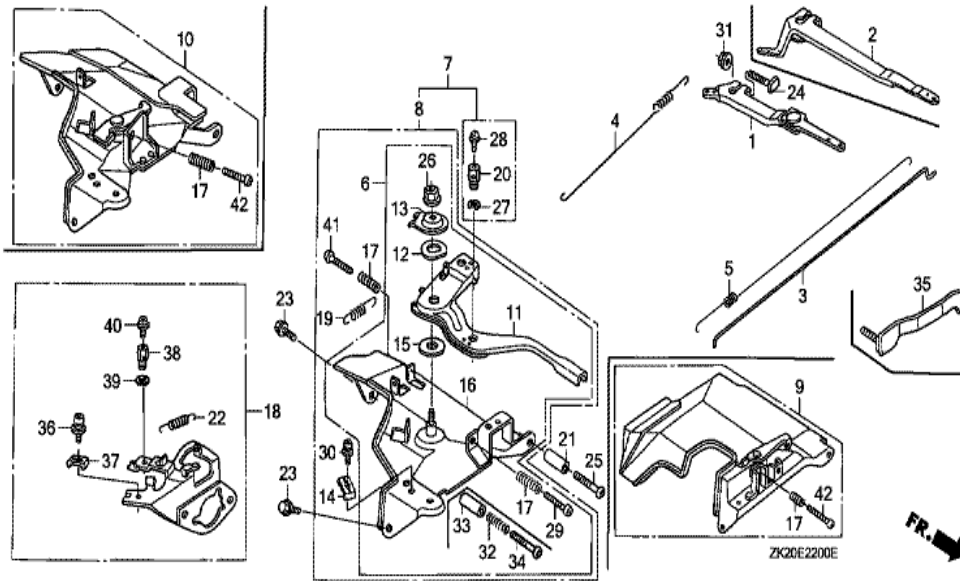




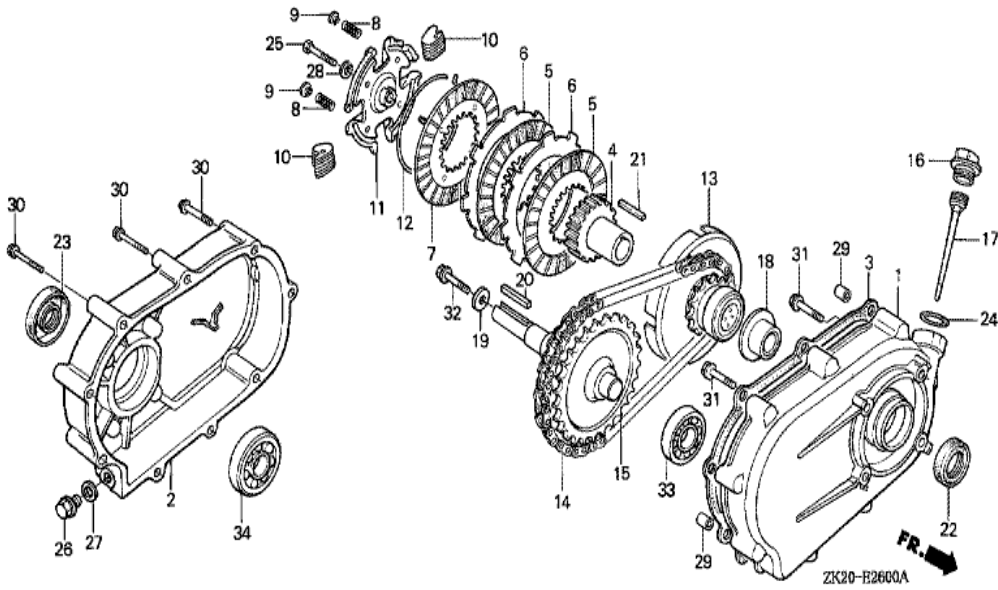
| Ref        | Partnumber        | Description                    | GX240K1        | Serial Numbers        |
|------------|-------------------|--------------------------------|----------------|-----------------------|
| 001        | 12200-ZH9-405     | HEAD COMP., CYLINDER           | 1              |                       |
| 002        | 12204-ZE2-306     | GUIDE, IN. VALVE (O.S.)        | 1              |                       |
| 003        | 12205-ZE2-305     | GUIDE, EX. VALVE (OS)          | 1              |                       |
| 004        | 12216-ZE2-300     | CLIP, VALVE GUIDE              | 1              |                       |
| 005        | 12251-ZE2-800     | GASKET, CYLINDER HEAD          | 1              |                       |
| 006        | 12310-ZE2-020     | COVER COMP., HEAD              | 1              | 3146327               |
| 006        | 12310-ZE2-020     | COVER COMP., HEAD              | 1              |                       |
| 007        | 12391-ZE2-020     | PACKING, HEAD COVER            | 1              |                       |
| 008        | 14775-ZE2-010     | SEAT, VALVE SPRING             | 1              |                       |
| 011        | 90014-ZE2-000     | BOLT, HEAD COVER               | 1              |                       |
| 012        | 90042-ZE2-000     | BOLT, STUD, 8X123              | 2              |                       |
| 012        | 90042-ZE2-000     | BOLT, STUD, 8X123              | 2              |                       |
| 013        | 92900-080320E     | BOLT, STUD, 8X32               | 2              |                       |
| <u>Ref</u> | <u>Partnumber</u> | <u>Description</u>             | <u>GX240K1</u> | <u>Serial Numbers</u> |
| 013        | 92900-080320E     | BOLT, STUD, 8X32               | 2              |                       |
| 014        | 90441-ZE2-010     | WASHER COMP., HEAD COVER       | 1              |                       |
| 015        | 94301-12200       | DOWEL PIN, 12X20               | 2              |                       |
| 017        | 95005-1110030     | TUBE, 11X100 (95005-11001-30M) | 1              |                       |
| 017        | 95005-1110030     | TUBE, 11X100 (95005-11001-30M) | 1              |                       |
| 018        | 95725-1008000     | BOLT, FLANGE, 10X80            | 4              | 4847591               |
| 018        | 95725-1008000     | BOLT, FLANGE, 10X80            | 4              |                       |
| 019        | 98079-55846       | PLUG, SPARK (BPR5ES) (NGK)     | 1              |                       |
| 019        | 98079-55846       | PLUG, SPARK (BPR5ES) (NGK)     | (1)            |                       |
| 019        | 98079-55855       | PLUG, SPARK (W16EPR-U) (DENSO) | 1              |                       |
| 019        | 98079-55855       | PLUG, SPARK (W16EPR-U) (DENSO) | (1)            |                       |
| 019        | 98079-56846       | PLUG, SPARK (BPR6ES) (NGK)     | 1              | 3860625               |
| 019        | 98079-56846       | PLUG, SPARK (BPR6ES) (NGK)     | 1              |                       |
| 019        | 98079-56855       | PLUG, SPARK (W20EPR-U) (DENSO) | 1              |                       |
| 019        | 98079-56855       | PLUG, SPARK (W20EPR-U) (DENSO) | 1              |                       |



| Ref | Partnumber    | Description                             | GX240K1 | Serial Numbers |
|-----|---------------|---|---------|----------------|
| 001 | 30500-ZF6-W02 | COIL ASSY., IGNITION                    | 1       |                |
| 001 | 30500-ZF6-W02 | COIL ASSY., IGNITION                    | 1       |                |
| 003 | 30700-ZE1-013 | CAP ASSY., NOISE SUPPRESSOR (NICHIA Y-E | 1       | 3860625        |
| 007 | 31512-ZE2-000 | GROMMET, CORD                           | 1       |                |
| 011 | 36101-ZE1-010 | CORD, STOP SWITCH (370MM)               | 1       |                |
| 014 | 90015-883-000 | BOLT, FLANGE, 6X28 (CT200)              | N       |                |
| 016 | 90684-ZA0-601 | CLIP, HARNESS                           | 1       |                |

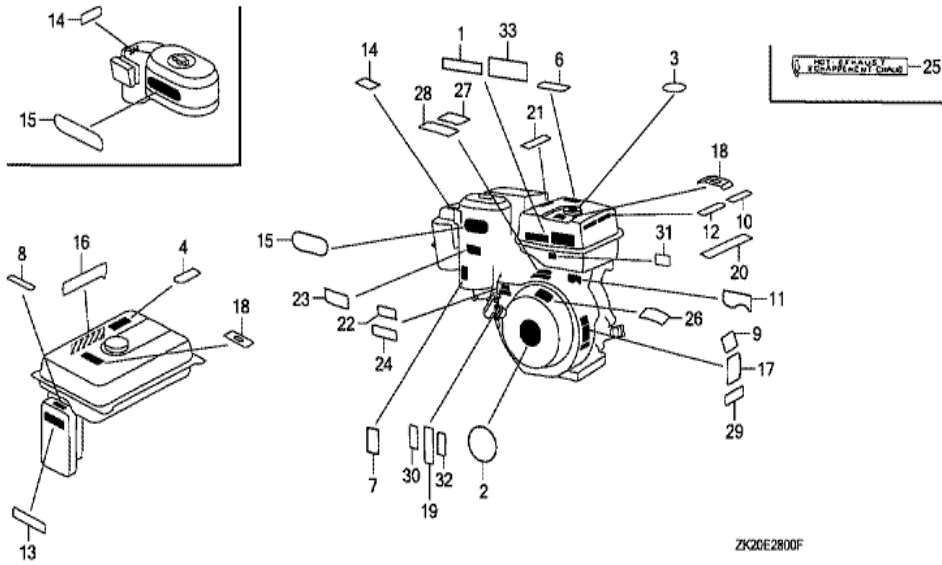


| Ref | Partnumber    | Description                              | GX240K1 | Serial Numbers |
|-----|---------------|--|---------|----------------|
| 002 | 16551-ZE2-000 | ARM, GOVERNOR                            | 1       |                |
| 003 | 16555-ZE2-000 | ROD, GOVERNOR                            | 1       |                |
| 003 | 16555-ZE2-000 | ROD, GOVERNOR                            | 1       |                |
| 004 | 16561-ZE2-000 | SPRING, GOVERNOR (L=145.0MM) (WIRE DIAME | 1       | 3156815        |
| 005 | 16562-ZE2-000 | SPRING, THROTTLE RETURN                  | 1       | 3337056        |
| 008 | 16570-ZE2-W20 | CONTROL ASSY. (REMOTE)                   | 1       |                |
| 011 | 16571-ZE2-W00 | LEVER, CONTROL                           | 1       |                |
| 011 | 16571-ZE2-W00 | LEVER, CONTROL                           | 1       |                |
| 012 | 16574-ZE1-000 | SPRING, LEVER                            | 1       | 3077713        |
| 013 | 16575-ZE2-W00 | WASHER, CONTROL LEVER                    | 1       | 3454257        |
| 014 | 16576-891-000 | HOLDER, CABLE                            | 1       |                |
| 015 | 16578-ZE1-000 | SPACER, CONTROL LEVER                    | 1       |                |
| 016 | 16581-ZE2-W00 | BASE COMP., CONTROL (###)                | 1       | 3454257        |
| Ref | Partnumber    | Description                              | GX240K1 | Serial Numbers |
| 016 | 16581-ZE2-W00 | BASE COMP., CONTROL (###)                | 1       |                |
| 017 | 16584-883-300 | SPRING, CONTROL ADJUSTING                | (1)     |                |
| 019 | 16592-883-310 | SPRING, CABLE RETURN                     | 1       |                |
| 021 | 16599-ZG1-M10 | COLLAR, STOPPER                          | (1)     | 3302522        |
| 023 | 90013-883-000 | BOLT, FLANGE, 6X12 (CT200)               | 2       |                |
| 024 | 90015-ZE5-010 | BOLT, GOVERNOR ARM                       | 1       |                |
| 025 | 90016-ZG9-N30 | SCREW, RECESSED, 5X25                    | (1)     | 3302522        |
| 026 | 90114-SA0-000 | NUT, SELF-LOCK, 6MM                      | 1       | 3454257        |
| 029 | 93500-050280A | SCREW, PAN, 5X28                         | 1       | 3454257        |
| 029 | 93500-050280A | SCREW, PAN, 5X28                         | 1       |                |
| 030 | 93500-050160A | SCREW, PAN, 5X16                         | 1       |                |
| 031 | 94050-06000   | NUT, FLANGE, 6MM                         | 1       |                |

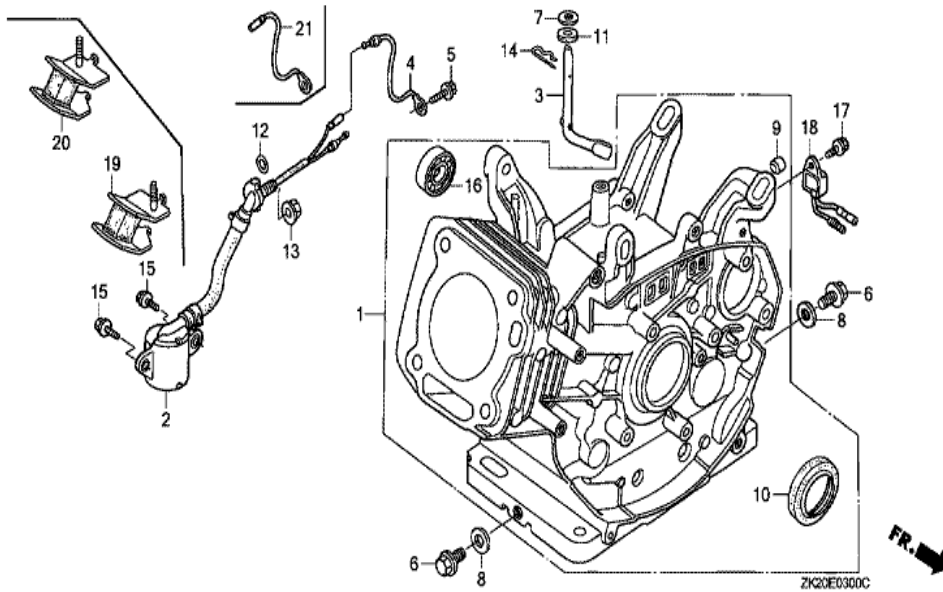


| Ref | Partnumber    | Description                  | GX240K1 | Serial Numbers |
|-----|---------------|------------------------------|---------|----------------|
| 001 | 21510-889-750 | CASE, REDUCTION              | 1       |                |
| 002 | 21610-889-750 | COVER, REDUCTION             | 1       |                |
| 003 | 21691-889-750 | PACKING, REDUCTION COVER     | 1       |                |
| 004 | 22121-889-750 | CENTER, CLUTCH (28T)         | 1       |                |
| 005 | 22201-822-610 | DISK, CLUTCH FRICTION        | 2       |                |
| 006 | 22311-822-610 | PLATE, CLUTCH                | 2       |                |
| 007 | 22350-822-610 | PLATE COMP., CLUTCH PRESSURE | 1       |                |
| 008 | 22411-822-611 | SPRING, CLUTCH FREE          | 4       |                |
| 009 | 22421-822-610 | HOLDER, CLUTCH SPRING        | 4       |                |
| 010 | 22521-822-610 | WEIGHT, CLUTCH               | 48      |                |
| 011 | 22531-889-750 | HOLDER, CLUTCH WEIGHT        | 1       |                |
| 012 | 22535-822-610 | CENTER, CLUTCH WEIGHT        | 1       |                |
| 013 | 23120-889-750 | SPROCKET COMP., DRIVE (14T)  | 1       |                |

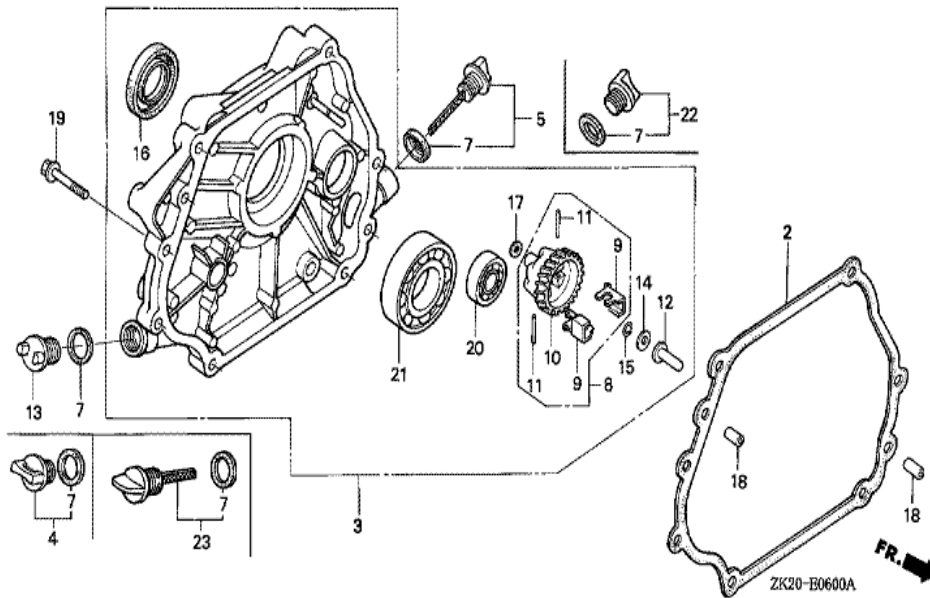
| <u>Ref</u> | <u>Partnumber</u> | <u>Description</u>          | <u>GX240K1</u> | <u>Serial Numbers</u> |
|------------|-------------------|-----------------------------|----------------|-----------------------|
| 014        | 23161-822-611     | CHAIN, DRIVE (RK428SH-36LE) | 1              |                       |
| 015        | 23711-822-610     | SHAFT COMP., P.T.O. (28T)   | 1              |                       |
| 016        | 25620-805-612     | CAP, REDUCTION OIL (GRAY)   | 1              |                       |
| 016        | 25620-805-612     | CAP, REDUCTION OIL (GRAY)   | 1              |                       |
| 016        | 25620-823-000     | CAP, REDUCTION OIL (YELLOW) | 1              |                       |
| 016        | 25620-823-000     | CAP, REDUCTION OIL (YELLOW) | 1              |                       |
| 017        | 25651-889-750     | GAUGE, OIL LEVEL            | 1              |                       |
| 018        | 90403-889-000     | WASHER, THRUST, 25MM        | 1              |                       |
| 020        | 90741-805-000     | KEY, 7X7X33                 | 1              |                       |
| 020        | 90741-889-810     | KEY, 7X7X33 (YELLOW) (O.S.) | (1)            |                       |
| 020        | 90741-889-810     | KEY, 7X7X33 (YELLOW) (O.S.) | (1)            |                       |
| 021        | 90741-889-000     | KEY, CLUTCH CENTER          | 1              |                       |
| 022        | 91201-890-003     | OIL SEAL, 30X46X8           | 1              |                       |
| 023        | 91202-805-610     | OIL SEAL (PJ30507)          | 1              | 4827849               |
| 024        | 91301-805-000     | O-RING, 26X2.7              | 1              |                       |
| 025        | 92101-080350A     | BOLT, HEX., 8X35            | 1              |                       |
| 025        | 92101-080350A     | BOLT, HEX., 8X35            | 1              |                       |
| 026        | 92800-12000       | BOLT, DRAIN PLUG, 12MM      | 1              |                       |
| 027        | 94109-12000       | WASHER, DRAIN PLUG, 12MM    | 1              |                       |
| 028        | 94111-08800       | WASHER, SPRING, 8MM         | 1              |                       |
| 029        | 94301-08140       | DOWEL PIN, 8X14             | 2              |                       |
| 030        | 95701-0605008     | BOLT, FLANGE, 6X50          | 9              |                       |
| 031        | 95701-0803208     | BOLT, FLANGE, 8X32          | 4              |                       |
| 033        | 96100-6205000     | BEARING, RADIAL BALL, 6205  | 1              |                       |
| 034        | 96100-6206000     | BEARING, RADIAL BALL, 6206  | 1              |                       |



| Ref | Partnumber    | Description                | GX240K1 | Serial Numbers |
|-----|---------------|----------------------------|---------|----------------|
| 001 | 87522-ZH8-W40 | MARK, CAUTION (PICTOGRAPH) | 1       | 4528690        |
| 001 | 87522-ZH8-W40 | MARK, CAUTION (PICTOGRAPH) | 1       | 4528690        |
| 001 | 87522-ZH8-W41 | MARK, CAUTION (PICTOGRAPH) | 1       | 4528691        |
| 001 | 87522-ZH8-W41 | MARK, CAUTION (PICTOGRAPH) | 1       | 4528691        |
| 002 | 87521-ZE2-W02 | EMBLEM (GX240 HONDA 8.0)   | 1       | 4465232        |
| 002 | 87521-ZE2-W02 | EMBLEM (GX240 HONDA 8.0)   | 1       | 4465232        |
| 002 | 87521-ZE2-W03 | EMBLEM (GX240 HONDA 8.0)   | 1       |                |
| 002 | 87521-ZE2-W03 | EMBLEM (GX240 HONDA 8.0)   | 1       | 4465233        |
| 007 | 87528-ZF6-W40 | MARK, CHOKE (BLACK)        | 1       | 3302522        |
| 007 | 87528-ZF6-W40 | MARK, CHOKE (BLACK)        | 1       |                |
| 024 | 87532-ZH8-W40 | MARK, THROTTLE INDICATION  | 1       |                |
| 031 | 87135-ZE2-020 | LABEL, E-SPEC (15.5X27.5)  | 1       | 4785310        |
| 031 | 87135-ZE2-020 | LABEL, E-SPEC (15.5X27.5)  | 1       | 4660733        |

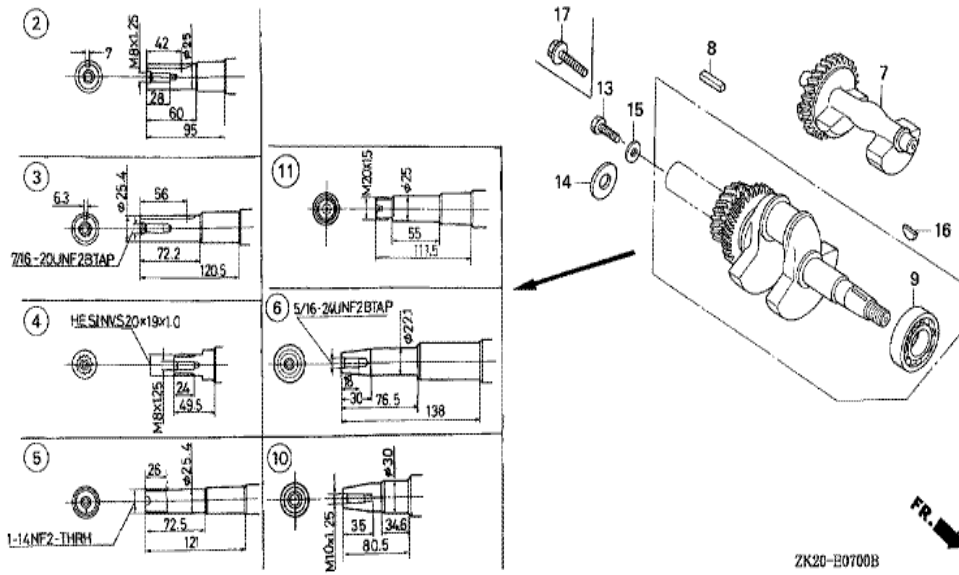


| Ref | Partnumber    | Description                    | GX240K1 | Serial Numbers |
|-----|---------------|--------------------------------|---------|----------------|
| 001 | 12000-ZE2-406 | BARREL ASSY., CYLINDER (ALERT) | 1       |                |
| 001 | 12000-ZE2-406 | BARREL ASSY., CYLINDER (ALERT) | 1       |                |
| 002 | 15510-ZE2-043 | SWITCH ASSY., OIL LEVEL        | 1       |                |
| 003 | 16541-ZE2-010 | SHAFT, GOVERNOR ARM            | 1       |                |
| 006 | 90131-883-000 | BOLT, DRAIN PLUG, 12X15        | 2       |                |
| 007 | 90446-KE1-000 | WASHER, 8.2X17X0.8             | 1       |                |
| 008 | 94109-12000   | WASHER, DRAIN PLUG, 12MM       | 2       |                |
| 010 | 91201-890-003 | OIL SEAL, 30X46X8              | 1       |                |
| 012 | 91353-671-004 | O-RING, 14MM (NOK)             | 1       |                |
| 013 | 94050-10000   | NUT, FLANGE, 10MM              | 1       |                |
| 014 | 94251-10000   | PIN, LOCK, 10MM                | 1       | 3332422        |
| 014 | 94251-10000   | PIN, LOCK, 10MM                | 1       |                |
| 015 | 95701-0601200 | BOLT, FLANGE, 6X12             | 2       |                |
| Ref | Partnumber    | Description                    | GX240K1 | Serial Numbers |
| 017 | 90013-883-000 | BOLT, FLANGE, 6X12 (CT200)     | (1)     |                |
| 018 | 34150-ZH7-003 | ALERT UNIT, OIL                | (1)     | 4853039        |



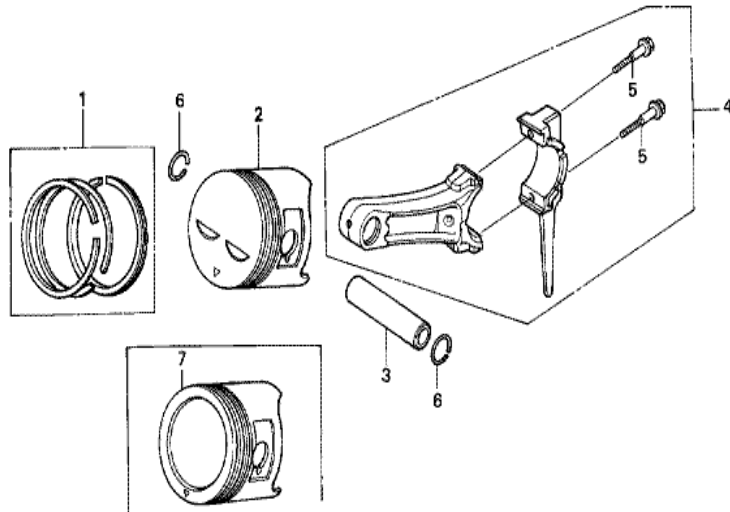
| <u>Ref</u> | <u>Partnumber</u> | <u>Description</u>         | <u>GX240K1</u> | <u>Serial Numbers</u> |
|------------|-------------------|----------------------------|----------------|-----------------------|
| 002        | 11381-ZE2-801     | PACKING, CASE COVER        | 1              | 3634565               |
| 003        | 11300-ZE2-020     | COVER ASSY., CRANKCASE     | 1              |                       |
| 003        | 11300-ZE2-020     | COVER ASSY., CRANKCASE     | 1              |                       |
| 004        | 15600-ZG4-003     | CAP ASSY., OIL FILLER      | 1              | 3634565               |
| 005        | 15600-735-003     | CAP ASSY., OIL FILLER      | 1              | 3634565               |
| 007        | 15625-ZE1-003     | PACKING, OIL FILLER CAP    | 1              |                       |
| 007        | 15625-ZE1-003     | PACKING, OIL FILLER CAP    | 2              |                       |
| 008        | 16510-ZE2-000     | GOVERNOR ASSY.             | 1              | 3634565               |
| 009        | 16511-ZE2-000     | WEIGHT, GOVERNOR           | 2              | 3634565               |
| 010        | 16512-ZE2-000     | HOLDER, GOVERNOR WEIGHT    | 1              | 3634565               |
| 011        | 16513-ZE2-000     | PIN, GOVERNOR WEIGHT       | 2              | 3634565               |
| 012        | 16531-Z0A-000     | SLIDER, GOVERNOR           | 1              |                       |
| 012        | 16531-Z0A-000     | SLIDER, GOVERNOR           | 1              |                       |
| <u>Ref</u> | <u>Partnumber</u> | <u>Description</u>         | <u>GX240K1</u> | <u>Serial Numbers</u> |
| 015        | 90602-ZE1-000     | CLIP, GOVERNOR HOLDER      | 1              | 3634565               |
| 015        | 90602-ZE1-000     | CLIP, GOVERNOR HOLDER      | 1              |                       |
| 016        | 91201-890-003     | OIL SEAL, 30X46X8          | 1              | 3634565               |
| 016        | 91201-890-003     | OIL SEAL, 30X46X8          | 1              |                       |
| 017        | 94101-06800       | WASHER, PLAIN, 6MM         | 1              | 3634565               |
| 018        | 90701-HC4-000     | DOWEL PIN, 8X12            | 2              | 3634565               |
| 019        | 95701-0803500     | BOLT, FLANGE, 8X35         | 7              | 3634565               |
| 021        | 96100-6206000     | BEARING, RADIAL BALL, 6206 | 1              | 3634565               |





ZK20-E0700B

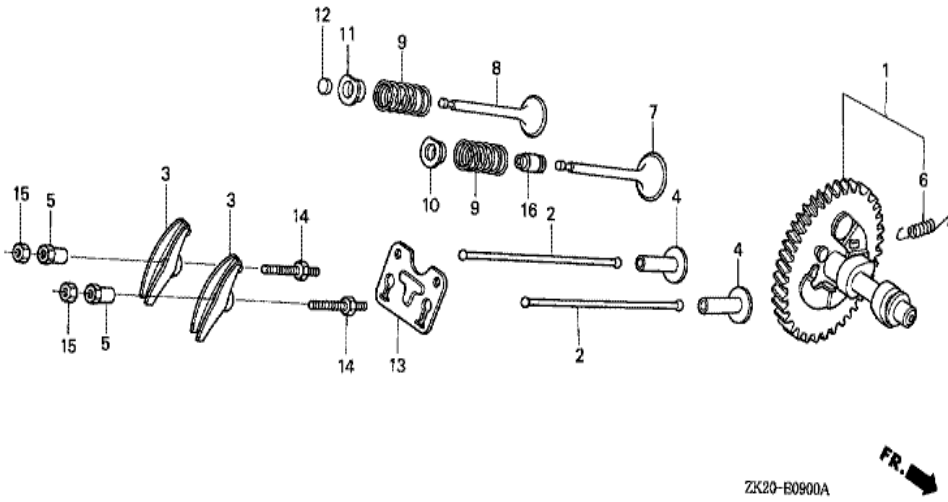
| Ref | Partnumber    | Description                  | GX240K1 | Serial Numbers |
|-----|---------------|------------------------------|---------|----------------|
| 002 | 13310-ZE2-010 | CRANKSHAFT COMP.             | 1       |                |
| 002 | 13310-ZE2-010 | CRANKSHAFT COMP.             | 1       | 4769737        |
| 002 | 13310-ZE2-020 | CRANKSHAFT COMP.             | 1       | 4769738        |
| 002 | 13310-ZE2-020 | CRANKSHAFT COMP.             | 1       | 4769738        |
| 009 | 96100-6206000 | BEARING, RADIAL BALL, 6206   | 1       |                |
| 016 | 90741-ZE2-000 | KEY, SPECIAL WOODRUFF, 25X18 | 1       |                |
| 016 | 90741-ZE2-000 | KEY, SPECIAL WOODRUFF, 25X18 | 1       |                |



ZK20-E0800A



| <u>Ref</u> | <u>Partnumber</u> | <u>Description</u>                      | <u>GX240K1</u> | <u>Serial Numbers</u> |
|------------|-------------------|---|----------------|-----------------------|
| 001        | 13010-Z5F-004     | RING SET, PISTON (STD.) (TEIKOKU)       | 1              |                       |
| 001        | 13010-Z5F-004     | RING SET, PISTON (STD.) (TEIKOKU)       | 1              | 4869815               |
| 001        | 13010-ZE2-921     | RING SET, PISTON (STD.) (TEIKOKU)       | 1              | 4869814               |
| 001        | 13010-ZE2-921     | RING SET, PISTON (STD.) (TEIKOKU)       | 1              |                       |
| 001        | 13010-ZE2-922     | RING SET, PISTON (STD.) (NIPPON)        | 1              |                       |
| 001        | 13010-ZE2-922     | RING SET, PISTON (STD.) (NIPPON)        | 1              |                       |
| 001        | 13011-ZE2-921     | RING SET, PISTON (0.25) (TEIKOKU)       | (1)            |                       |
| 001        | 13011-ZE2-921     | RING SET, PISTON (0.25) (TEIKOKU)       | (1)            |                       |
| 001        | 13011-ZE2-922     | RING SET, PISTON (0.25) (NIPPON)        | (1)            | 4081305               |
| 001        | 13011-ZE2-922     | RING SET, PISTON (0.25) (NIPPON)        | (1)            |                       |
| 001        | 13012-ZE2-921     | RING SET, PISTON (0.50) (TEIKOKU)       | (1)            | 4081305               |
| 001        | 13012-ZE2-921     | RING SET, PISTON (0.50) (TEIKOKU)       | (1)            |                       |
| 001        | 13012-ZE2-922     | RING SET, PISTON (0.50) (NIPPON)        | (1)            | 4869814               |
| <u>Ref</u> | <u>Partnumber</u> | <u>Description</u>                      | <u>GX240K1</u> | <u>Serial Numbers</u> |
| 001        | 13012-ZE2-922     | RING SET, PISTON (0.50) (NIPPON)        | (1)            |                       |
| 001        | 13013-ZE2-921     | RING SET, PISTON (0.75) (TEIKOKU)       | (1)            |                       |
| 001        | 13013-ZE2-921     | RING SET, PISTON (0.75) (TEIKOKU)       | (1)            |                       |
| 001        | 13013-ZE2-922     | RING SET, PISTON (0.75) (NIPPON)        | (1)            |                       |
| 001        | 13013-ZE2-922     | RING SET, PISTON (0.75) (NIPPON)        | (1)            |                       |
| 002        | 13101-ZE2-W00     | PISTON (STD.)                           | 1              | 4869814               |
| 002        | 13102-ZE2-W00     | PISTON (0.25)                           | (1)            |                       |
| 002        | 13102-ZE2-W00     | PISTON (0.25)                           | (1)            |                       |
| 002        | 13103-ZE2-W00     | PISTON (0.50)                           | (1)            | 4869814               |
| 002        | 13103-ZE2-W00     | PISTON (0.50)                           | (1)            |                       |
| 002        | 13104-ZE2-W00     | PISTON (0.75)                           | (1)            |                       |
| 002        | 13104-ZE2-W00     | PISTON (0.75)                           | (1)            |                       |
| 003        | 13111-ZE2-000     | PIN, PISTON                             | 1              |                       |
| 004        | 13200-ZE2-010     | ROD ASSY., CONNECTING (STD.)            | 1              |                       |
| 004        | 13200-ZE2-305     | ROD ASSY., CONNECTING (0.25 UNDER SIZE) | (1)            |                       |
| 004        | 13200-ZE2-305     | ROD ASSY., CONNECTING (0.25 UNDER SIZE) | (1)            |                       |
| 005        | 90001-ZE8-000     | BOLT, CONNECTING ROD                    | 2              |                       |
| 006        | 90551-ZE1-000     | CLIP, PISTON PIN, 18MM                  | 2              |                       |



| <u>Ref</u> | <u>Partnumber</u> | <u>Description</u>         | <u>GX240K1</u> | <u>Serial Numbers</u> |
|------------|-------------------|----------------------------|----------------|-----------------------|
| 001        | 14100-ZE2-W01     | CAMSHAFT ASSY.             | 1              | 3620689               |
| 002        | 14410-ZE2-013     | ROD, PUSH                  | 2              |                       |
| 003        | 14431-ZE2-010     | ARM, VALVE ROCKER          | 2              |                       |
| 003        | 14431-ZE2-010     | ARM, VALVE ROCKER          | 2              |                       |
| 004        | 14441-ZE2-000     | LIFTER, VALVE              | 2              |                       |
| 005        | 14451-ZE1-013     | PIVOT, ROCKER ARM          | 2              |                       |
| 006        | 14568-ZE1-000     | SPRING, WEIGHT RETURN      | 1              |                       |
| 007        | 14711-ZE2-000     | VALVE, IN.                 | 1              |                       |
| 008        | 14721-ZE2-000     | VALVE, EX.                 | 1              |                       |
| 009        | 14751-ZE2-003     | SPRING, VALVE              | 2              |                       |
| 010        | 14771-ZE2-000     | RETAINER, IN. VALVE SPRING | 1              |                       |
| 011        | 14773-ZE2-000     | RETAINER, EX. VALVE SPRING | 1              |                       |
| 011        | 14773-ZE2-000     | RETAINER, EX. VALVE SPRING | 1              |                       |
| <u>Ref</u> | <u>Partnumber</u> | <u>Description</u>         | <u>GX240K1</u> | <u>Serial Numbers</u> |
| 012        | 14781-ZE2-000     | ROTATOR, VALVE             | 1              |                       |
| 013        | 14791-ZE2-010     | GUIDE, PUSH ROD            | 1              |                       |
| 014        | 90012-ZE0-010     | BOLT, PIVOT, 8MM           | 2              |                       |
| 015        | 90206-ZE1-000     | NUT, PIVOT ADJUSTING       | 2              |                       |
| 016        | 12209-ZE8-003     | SEAL, VALVE STEM           | 1              | 4081305               |