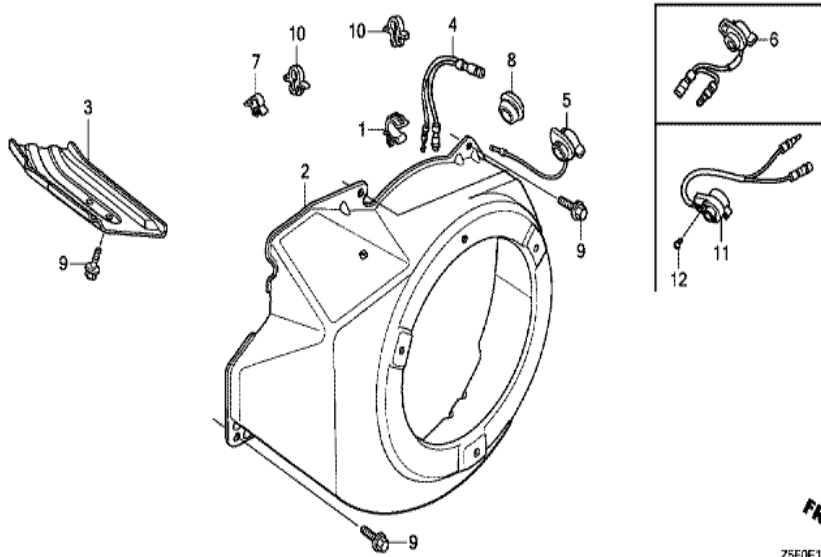


FR. →
Z5F0E1100A

<u>Ref</u>	<u>Partnumber</u>	<u>Description</u>	<u>GX240U1</u>	<u>Serial Numbers</u>
001	28400-ZE2-W01ZN	STARTER ASSY., RECOIL *R280 *	1	
001	28400-ZE2-W01ZN	STARTER ASSY., RECOIL *R280 *	1	1237019
001	28400-ZE2-W02ZN	STARTER ASSY., RECOIL *R280*	1	1237020
002	28410-ZE2-W01ZN	CASE COMP., RECOIL STARTER *R280 *	1	
002	28410-ZE2-W01ZN	CASE COMP., RECOIL STARTER *R280 *	1	
003	28421-ZE2-W01	PULLEY, RECOIL STARTER	1	
004	28422-ZE2-W01	RATCHET, STARTER	2	
005	28441-ZE2-W01	SPRING, FRICTION	1	
006	28442-ZE2-W01	SPRING, STARTER RETURN	1	
007	28443-ZE2-W01	SPRING, RATCHET	2	
008	28444-ZE2-W01	RETAINER, SPRING	1	
009	28461-ZE2-W02	GRIP, STARTER	1	1237019
009	28461-ZE2-W03	GRIP, STARTER	1	1237020
<u>Ref</u>	<u>Partnumber</u>	<u>Description</u>	<u>GX240U1</u>	<u>Serial Numbers</u>
010	28462-ZE2-W11	ROPE, RECOIL STARTER	1	
011	90004-ZE2-W01	SCREW, CENTER	1	
012	90008-ZE2-003	BOLT, FLANGE, 6X10	3	



FR. →
Z5F0E12008

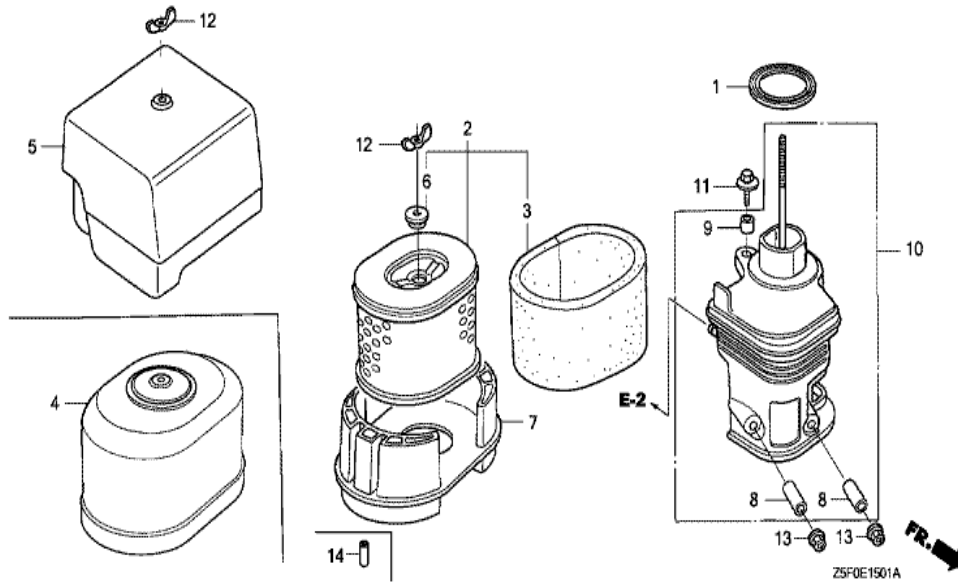
Ref	Partnumber	Description	GX240U1	Serial Numbers
001	16731-ZE2-003	CLIP, TUBE	1	
002	19610-ZE2-010ZL	COVER COMP., FAN *R280 *	1	
002	19610-ZE2-010ZL	COVER COMP., FAN *R280 *	1	
003	19631-ZE2-D00	SHROUD	1	
003	19631-ZE2-D00	SHROUD	1	
006	36100-ZF6-P81	SWITCH ASSY., ENGINE STOP	1	
006	36100-ZF6-P81	SWITCH ASSY., ENGINE STOP	1	1174498
006	36100-ZF6-P82	SWITCH ASSY., ENGINE STOP	1	1174499
006	36100-ZF6-P82	SWITCH ASSY., ENGINE STOP	1	1174499
009	90013-883-000	BOLT, FLANGE, 6X12 (CT200)	6	



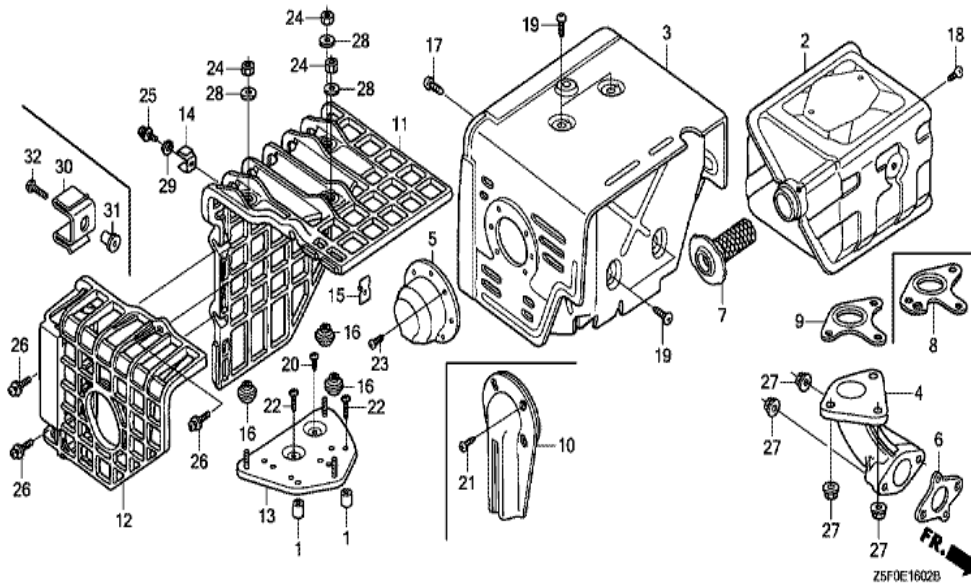
Z5F0E1401B

Ref	Partnumber	Description	GX240U1	Serial Numbers
001	16010-ZE2-812	GASKET SET	1	
002	16011-ZA0-931	VALVE SET, FLOAT	1	
003	16013-ZA0-931	FLOAT SET	1	
004	16015-ZE8-005	CHAMBER SET, FLOAT	1	
004	16015-ZE8-005	CHAMBER SET, FLOAT	1	
005	16016-ZH7-W01	SCREW SET, PILOT	1	
006	16024-ZE1-811	SCREW SET, DRAIN	1	
006	16024-ZE1-811	SCREW SET, DRAIN	1	
007	16028-ZE0-005	SCREW SET	1	
007	16028-ZE0-005	SCREW SET	1	
008	16044-ZE2-005	CHOKE SET	1	
009	16100-ZE2-W71	CARBURETOR ASSY. (BE70B B/C)	1	
009	16100-ZE2-W71	CARBURETOR ASSY. (BE70B B/C)	1	

<u>Ref</u>	<u>Partnumber</u>	<u>Description</u>	<u>GX240U1</u>	<u>Serial Numbers</u>
010	16124-ZE0-005	SCREW, THROTTLE STOP	1	
011	16166-ZE2-W70	NOZZLE, MAIN	1	
011	16166-ZE2-W70	NOZZLE, MAIN	1	
012	16172-ZE3-W10	COLLAR, SETTING	1	
013	16173-001-004	PACKING, FUEL STRAINER CUP	1	
014	16211-ZE2-000	INSULATOR, CARBURETOR	1	
015	16220-ZA0-702	SPACER COMP., CARBURETOR	1	
016	16221-ZA0-800	PACKING, CARBURETOR	1	
016	16221-ZA0-800	PACKING, CARBURETOR	1	
017	16223-ZA0-800	PACKING, INSULATOR	1	
017	16223-ZA0-800	PACKING, INSULATOR	1	
018	16610-ZE1-000	LEVER COMP., CHOKE (STD.)	1	
020	16953-ZE1-812	LEVER, COCK	1	
021	16954-ZE1-812	PLATE, LEVER SETTING	1	
022	16956-ZE1-811	SPRING, COCK LEVER	1	
023	16957-ZE1-812	PACKING, FUEL COCK	1	
024	16967-ZE0-811	CUP, FUEL STRAINER	1	
025	93500-030061H	SCREW, PAN, 3X6	2	
026	94305-20122	PIN, SPRING, 2X12	1	
029	99101-ZH80820	JET, MAIN, #82	(1)	
029	99101-ZH80820	JET, MAIN, #82	(1)	
029	99101-ZH80850	JET, MAIN, #85	(1)	
029	99101-ZH80850	JET, MAIN, #85	(1)	
029	99101-ZH80880	JET, MAIN, #88	(1)	
029	99101-ZH80880	JET, MAIN, #88	1	
030	99204-ZA00400	JET SET, PILOT, #40	1	BE70B C
030	99204-ZE00400	JET SET, PILOT, #40	1	BE70B B
030	99204-ZE00400	JET SET, PILOT, #40	1	BE70B B

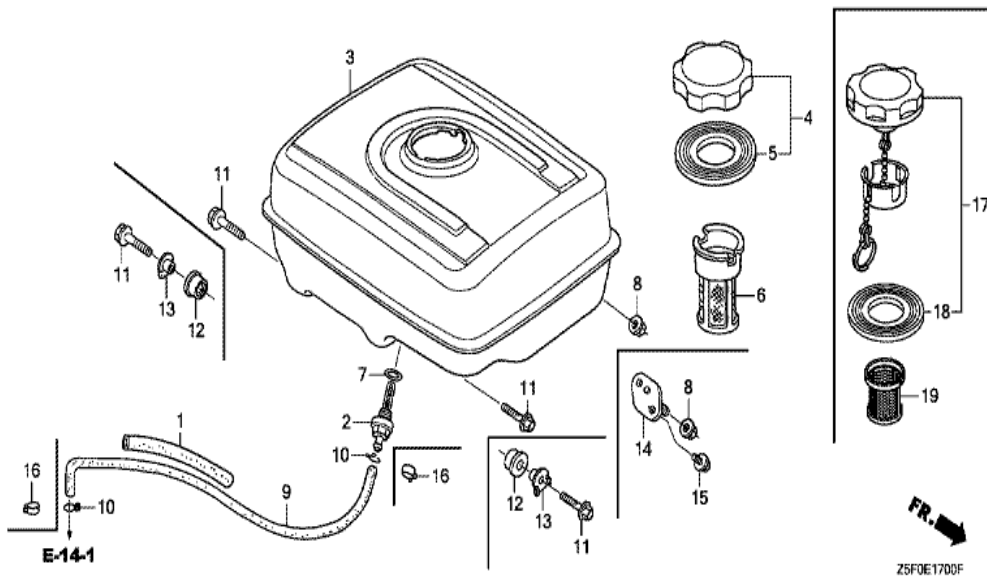


Ref	Partnumber	Description	GX240U1	Serial Numbers
001	16271-ZE2-010	PACKING, ELBOW	1	
002	17210-ZE2-822	ELEMENT, AIR CLEANER (DUAL)	1	
003	17218-ZE2-821	FILTER, OUTER	1	
005	17231-ZH9-820	COVER, AIR CLEANER	1	
006	17232-891-000	GROMMET, AIR CLEANER	1	
007	17235-ZE2-820	NOSE, SILENCER	1	
007	17235-ZE2-820	NOSE, SILENCER	1	
008	17238-ZE2-310	COLLAR, AIR CLEANER	2	
009	17239-ZE1-000	COLLAR B, AIR CLEANER	1	
010	17410-ZE2-020	ELBOW COMP., AIR CLEANER	1	
011	90009-ZE2-003	BOLT-WASHER, 6X22	1	
012	90325-044-000	NUT, TOOL BOX SETTING	2	
013	94050-06000	NUT, FLANGE, 6MM	2	

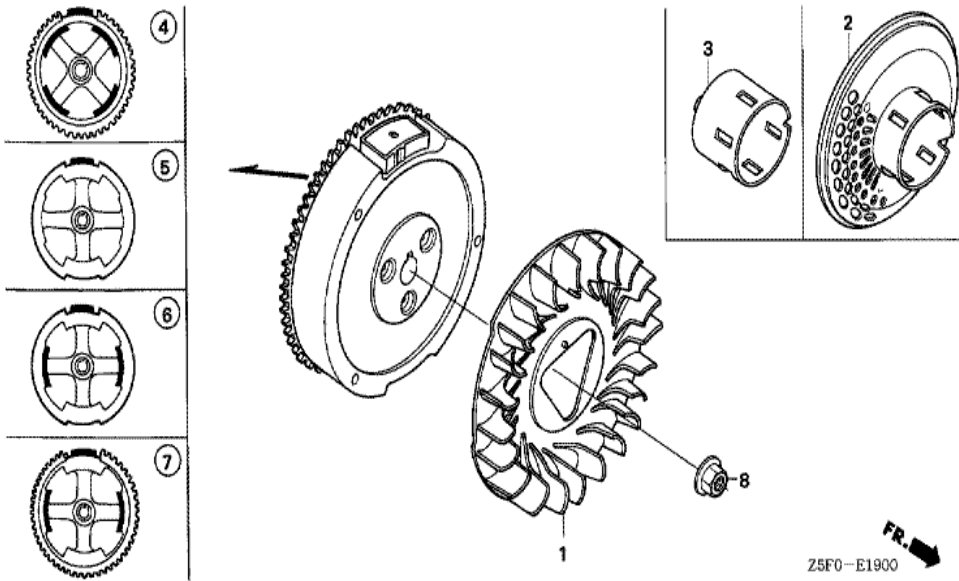


Ref	Partnumber	Description	GX240U1	Serial Numbers
001	17233-896-701	COLLAR, AIR CLEANER CASE	(2)	
002	18310-ZE2-W61	MUFFLER COMP. (100DB)	1	
003	18320-ZE2-W61	PROTECTOR COMP., MUFFLER	1	1242765
003	18320-ZE2-W62	PROTECTOR COMP., MUFFLER	1	1242766
004	18330-ZH9-N00	PIPE, EX.	1	
006	18333-ZF6-W01	GASKET, EX. PIPE	1	
007	18355-ZE2-010	ARRESTER, SPARK	(1)	
008	18381-ZE2-W10	GASKET, MUFFLER (ARRESTER) (NIPPON LEAKL	(1)	
008	18381-ZE2-W10	GASKET, MUFFLER (ARRESTER) (NIPPON LEAKL	(1)	
009	18381-ZE2-800	GASKET, MUFFLER (NIPPON LEAKLESS)	1	
010	18430-ZK9-W50	DEFLECTOR COMP., MUFFLER	(1)	
010	18430-ZK9-W50	DEFLECTOR COMP., MUFFLER	(1)	
011	18433-ZF6-W40	COVER COMP., MUFFLER	(1)	

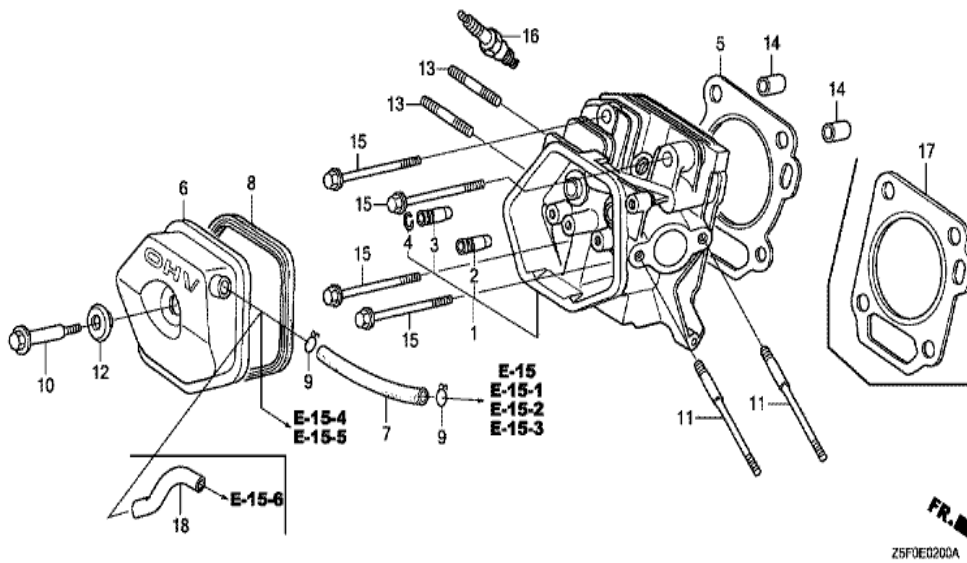
<u>Ref</u>	<u>Partnumber</u>	<u>Description</u>	<u>GX240U1</u>	<u>Serial Numbers</u>
012	18434-ZF6-W40	COVER COMP., RR. MUFFLER	(1)	
013	18436-ZH8-W40	BASE COMP., MUFFLER COVER	(1)	
014	18437-ZF6-W40	STAY, MUFFLER COVER	(1)	
015	18438-ZF6-W40	PLATE, SET	(1)	
016	18466-ZH8-W40	SPACER, MUFFLER COVER	(3)	
017	90006-ZE2-000	SCREW, TAPPING, 6X10	1	
018	90055-ZE1-000	SCREW, TAPPING, 4X6	(1)	
018	90055-ZE1-000	SCREW, TAPPING, 4X6	(1)	
019	90050-ZE1-000	SCREW, TAPPING, 5X8	4	
020	90050-ZE1-000	SCREW, TAPPING, 5X8	(1)	
021	90055-ZE1-000	SCREW, TAPPING, 4X6	(2)	
021	90055-ZE1-000	SCREW, TAPPING, 4X6	(2)	
022	90050-ZH8-W40	SCREW, TAPPING, 5X25	(2)	
024	90302-KF9-900	NUT, HEX., 5MM	(3)	
025	93891-0501200	SCREW-WASHER, 5X12	(1)	
026	93891-0602007	SCREW-WASHER, 6X20	(3)	
027	94050-08000	NUT, FLANGE, 8MM	5	
028	94103-05700	WASHER, PLAIN, 5MM	(3)	
029	94111-05000	WASHER, SPRING, 5MM	(1)	



Ref	Partnumber	Description	GX240U1	Serial Numbers	
001	16854-ZH8-000	RUBBER, SUPPORTER (107MM)	1		
002	16955-ZE1-000	JOINT, FUEL TANK	1		
003	17510-ZE2-020ZA	TANK COMP., FUEL *NH31 *	1	1016062	
003	17510-ZE2-020ZA	TANK COMP., FUEL *NH31 *	1	1016062	
003	17510-ZE2-800ZC	TANK COMP., FUEL *NH31 *	1	1016063 1161304	
003	17510-ZE2-800ZC	TANK COMP., FUEL *NH31 *	1	1016063 1161304	
003	17510-ZE2-801ZC	TANK COMP., FUEL *NH31 *	1	1161305	
003	17510-ZE2-801ZC	TANK COMP., FUEL *NH31 *	1	1161305	
004	17620-Z0T-305	CAP COMP., FUEL FILLER (CHROME PLATED)	1	1201674	
005	17631-Z0T-812	PACKING, FUEL FILLER CAP (39X62X3) (TOUY	1	1201674	
007	91353-671-004	O-RING, 14MM (NOK)	1		
008	94050-08000	NUT, FLANGE, 8MM	2		
009	91424-Z5F-801	TUBE, FUEL, 4.5X222 (FKM)	1	1032494	
	<u>Ref</u>	<u>Partnumber</u>	<u>Description</u>	<u>GX240U1</u>	<u>Serial Numbers</u>
009	95001-4522240	TUBE, FUEL, 4.5X222 (95001-45001-60M)	1	1032493	
009	95001-4522240	TUBE, FUEL, 4.5X222 (95001-45001-60M)	1	1032493	
010	95002-02080	CLIP, TUBE (B8)	2	1032493	
011	95701-0802500	BOLT, FLANGE, 8X25	2		
016	95002-4080008	CLAMP, TUBE (D8)	2		
016	95002-4080008	CLAMP, TUBE (D8)	2	1032494	
017	17620-Z4H-010	CAP COMP., FUEL FILLER (CHROME PLATED)	1	1201675 1206823	
017	17620-Z4H-010	CAP COMP., FUEL FILLER (CHROME PLATED)	1	1201675 1206823	
017	17620-Z4H-020	CAP COMP., FUEL FILLER	1	1206824	
018	17631-Z0T-801	PACKING, FUEL FILLER CAP (39X62X3) (RADI	1	1206824	
018	17631-Z0T-801	PACKING, FUEL FILLER CAP (39X62X3) (RADI	1	1206824	
018	17631-Z4H-800	PACKING, FUEL FILLER CAP (39X62X3)	1	1201675 1206823	
018	17631-Z4H-800	PACKING, FUEL FILLER CAP (39X62X3)	1	1201675 1206823	

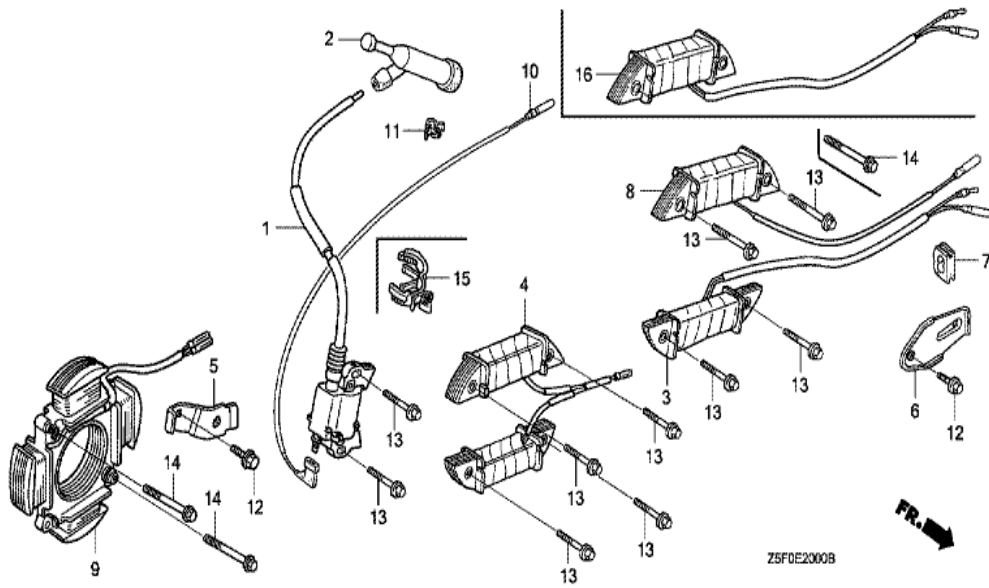


Ref	Partnumber	Description	GX240U1	Serial Numbers
001	19511-ZE2-000	FAN, COOLING	1	
002	28450-ZE2-W11	PULLEY COMP., STARTER (SCREEN GRID)	1	
005	31100-ZE2-010	FLYWHEEL COMP.	1	
008	90201-ZE3-790	NUT, SPECIAL, 16MM	1	1131468
008	90201-ZE3-V00	NUT, SPECIAL, 16MM	1	1131467
008	90201-ZE3-V00	NUT, SPECIAL, 16MM	1	1131467

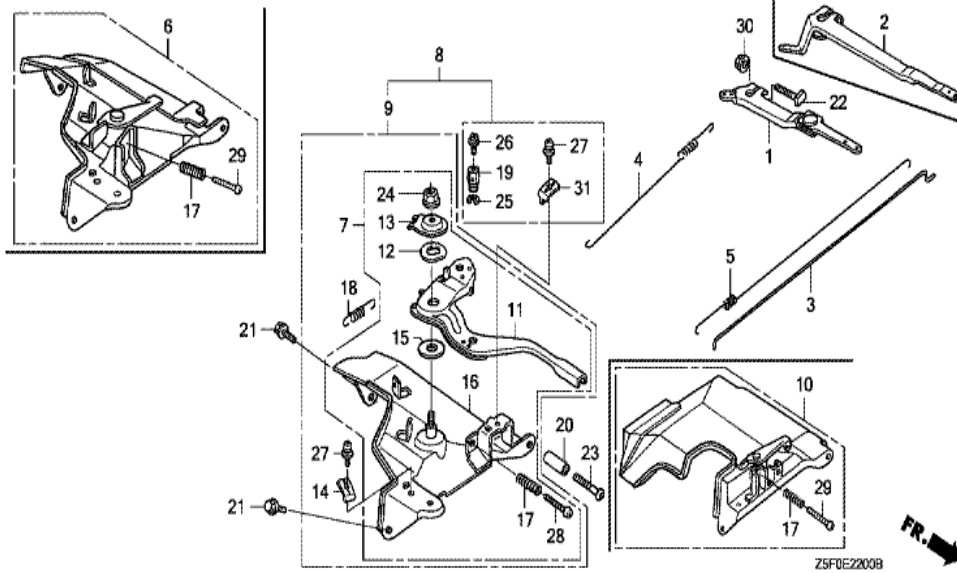


Z5F0E0200A

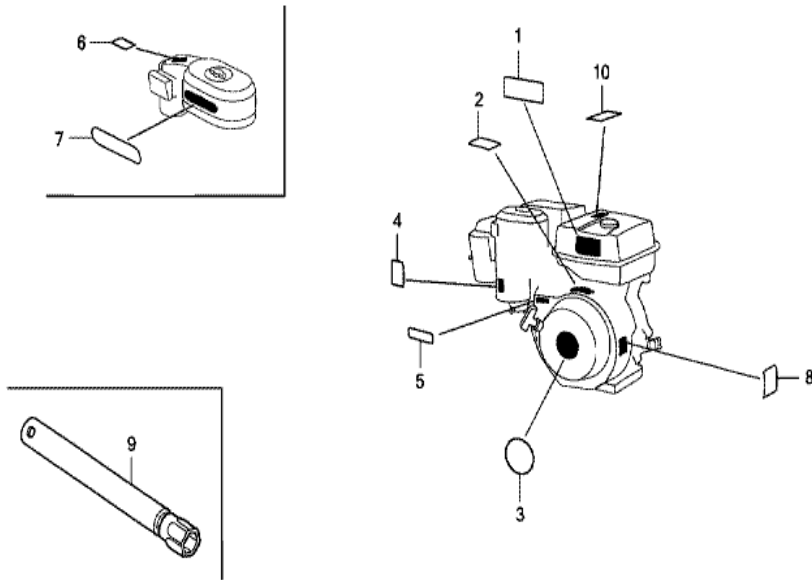
Ref	Partnumber	Description	GX240U1	Serial Numbers
001	12200-ZH9-405	HEAD COMP., CYLINDER	1	
002	12204-ZE2-306	GUIDE, IN. VALVE (O.S.)	1	
003	12205-ZE2-305	GUIDE, EX. VALVE (OS)	1	
004	12216-ZE2-300	CLIP, VALVE GUIDE	1	
005	12251-ZE2-800	GASKET, CYLINDER HEAD	1	
006	12310-ZE2-020	COVER COMP., HEAD	1	
006	12310-ZE2-020	COVER COMP., HEAD	1	
007	95005-1110030	TUBE, 11X100 (95005-11001-30M)	1	
007	95005-1110030	TUBE, 11X100 (95005-11001-30M)	1	
008	12391-ZE2-020	PACKING, HEAD COVER	1	
010	90014-ZE2-000	BOLT, HEAD COVER	1	
011	90042-ZE2-000	BOLT, STUD, 8X123	2	
012	90441-ZE2-010	WASHER COMP., HEAD COVER	1	
Ref	Partnumber	Description	GX240U1	Serial Numbers
013	92900-080320E	BOLT, STUD, 8X32	2	
013	92900-080320E	BOLT, STUD, 8X32	2	
014	94301-12200	DOWEL PIN, 12X20	2	
015	95701-1008000	BOLT, FLANGE, 10X80	4	1167471
015	95725-1008000	BOLT, FLANGE, 10X80	4	1167470
015	95725-1008000	BOLT, FLANGE, 10X80	4	1167470
016	98079-55846	PLUG, SPARK (BPR5ES) (NGK)	1	
016	98079-55846	PLUG, SPARK (BPR5ES) (NGK)	(1)	
016	98079-55855	PLUG, SPARK (W16EPR-U) (DENSO)	(1)	
016	98079-55855	PLUG, SPARK (W16EPR-U) (DENSO)	(1)	
016	98079-56846	PLUG, SPARK (BPR6ES) (NGK)	1	
016	98079-56846	PLUG, SPARK (BPR6ES) (NGK)	1	
016	98079-56855	PLUG, SPARK (W20EPR-U) (DENSO)	1	
016	98079-56855	PLUG, SPARK (W20EPR-U) (DENSO)	1	



Ref	Partnumber	Description	GX240U1	Serial Numbers
001	30500-ZF6-W02	COIL ASSY., IGNITION	1	1167470
001	30500-ZF6-W03	COIL ASSY., IGNITION	1	
001	30500-ZF6-W03	COIL ASSY., IGNITION	1	1167471
002	30700-ZE1-013	CAP ASSY., NOISE SUPPRESSOR (NICHIIWA Y-E	1	
007	31512-ZE2-000	GROMMET, CORD	1	
010	36101-ZE1-010	CORD, STOP SWITCH (370MM)	1	
013	90015-883-000	BOLT, FLANGE, 6X28 (CT200)	2	
015	90684-ZA0-601	CLIP, HARNESS	1	

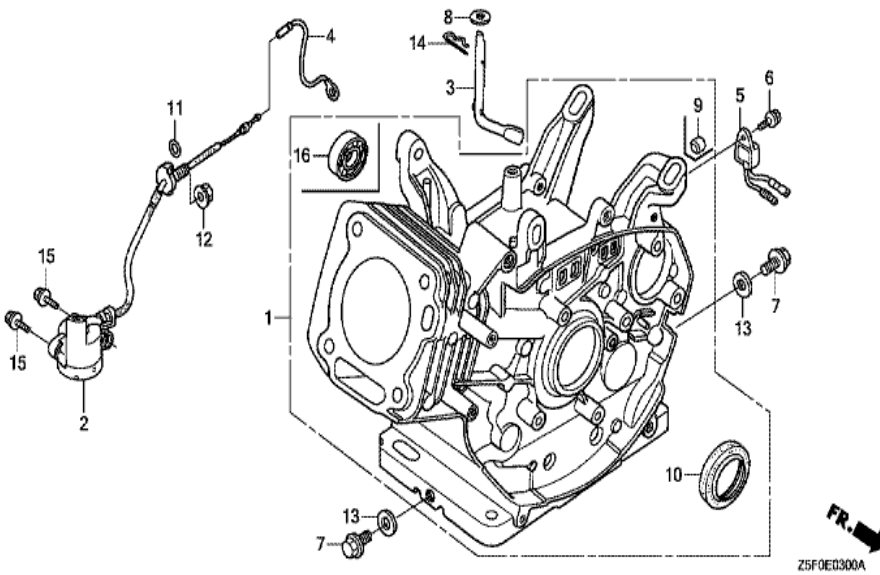


<u>Ref</u>	<u>Partnumber</u>	<u>Description</u>	<u>GX240U1</u>	<u>Serial Numbers</u>
002	16551-ZE2-000	ARM, GOVERNOR	1	
003	16555-ZE2-000	ROD, GOVERNOR	1	
004	16561-ZE2-000	SPRING, GOVERNOR (L=145.0MM) (WIRE DIAME	1	
005	16562-ZE2-000	SPRING, THROTTLE RETURN	1	
009	16570-ZE2-W20	CONTROL ASSY. (REMOTE)	1	
009	16570-ZE2-W20	CONTROL ASSY. (REMOTE)	1	
011	16571-ZE2-W00	LEVER, CONTROL	1	
012	16574-ZE1-000	SPRING, LEVER	1	
013	16575-ZE2-W00	WASHER, CONTROL LEVER	1	
014	16576-891-000	HOLDER, CABLE	1	
015	16578-ZE1-000	SPACER, CONTROL LEVER	1	
016	16581-ZE2-W00	BASE COMP., CONTROL (###)	1	
016	16581-ZE2-W00	BASE COMP., CONTROL (###)	1	
<u>Ref</u>	<u>Partnumber</u>	<u>Description</u>	<u>GX240U1</u>	<u>Serial Numbers</u>
017	16584-883-300	SPRING, CONTROL ADJUSTING	1	
018	16592-883-310	SPRING, CABLE RETURN	1	
020	16599-ZG1-M10	COLLAR, STOPPER	(1)	
021	90013-883-000	BOLT, FLANGE, 6X12 (CT200)	2	
022	90015-ZE5-010	BOLT, GOVERNOR ARM	1	
023	90016-ZG9-N30	SCREW, RECESSED, 5X25	(1)	
024	90114-SA0-000	NUT, SELF-LOCK, 6MM	1	
027	93500-050160A	SCREW, PAN, 5X16	1	
028	93500-050280A	SCREW, PAN, 5X28	1	
030	94050-06000	NUT, FLANGE, 6MM	1	



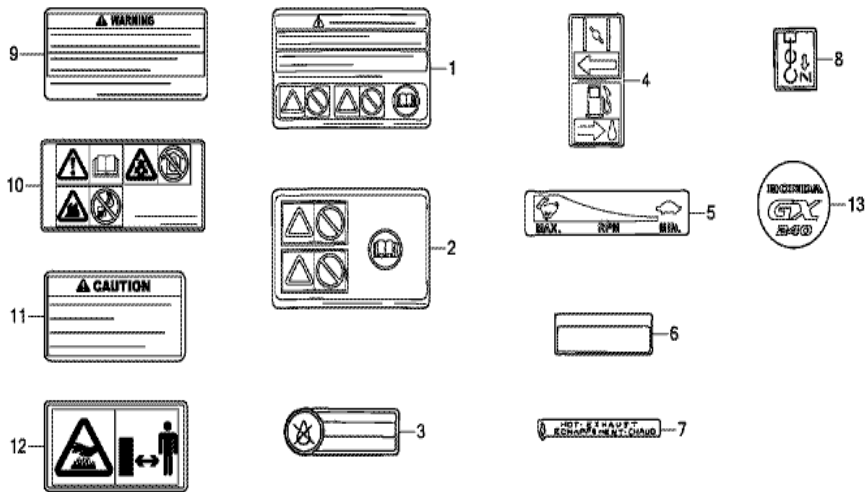
Z3F0E2800A

<u>Ref</u>	<u>Partnumber</u>	<u>Description</u>	<u>GX240U1</u>	<u>Serial Numbers</u>
001	87516-ZH7-000	MARK, OPERATOR CAUTION (ENGLISH) (MADE I	1	
001	87516-ZH7-000	MARK, OPERATOR CAUTION (ENGLISH) (MADE I	1	1237019
001	87516-ZH7-010	MARK, OPERATOR CAUTION (ENGLISH) (MADE I	1	1237020
001	87516-ZH7-010	MARK, OPERATOR CAUTION (ENGLISH) (MADE I	1	1237020
001	87516-ZH7-810	MARK, OPERATOR CAUTION (PICTOGRAPH) (MAD	(1)	1237019
001	87516-ZH7-810	MARK, OPERATOR CAUTION (PICTOGRAPH) (MAD	(1)	1237019
003	87521-ZE2-W03	EMBLEM (GX240 HONDA 8.0)	1	1167470
003	87521-ZE2-W03	EMBLEM (GX240 HONDA 8.0)	1	1167470
003	87521-ZE2-W04	EMBLEM (GX240)	1	1167471
003	87521-ZE2-W04	EMBLEM (GX240)	1	1167471
004	87528-ZH7-000	MARK, CHOKE (GRAY)	1	
004	87528-ZH7-000	MARK, CHOKE (GRAY)	1	
005	87532-ZH7-000	MARK, THROTTLE INDICATION	1	
<u>Ref</u>	<u>Partnumber</u>	<u>Description</u>	<u>GX240U1</u>	<u>Serial Numbers</u>
010	87539-Z0J-000	MARK, EX. CAUTION (ENGLISH)	1	
010	87539-Z0J-000	MARK, EX. CAUTION (ENGLISH)	1	1237020



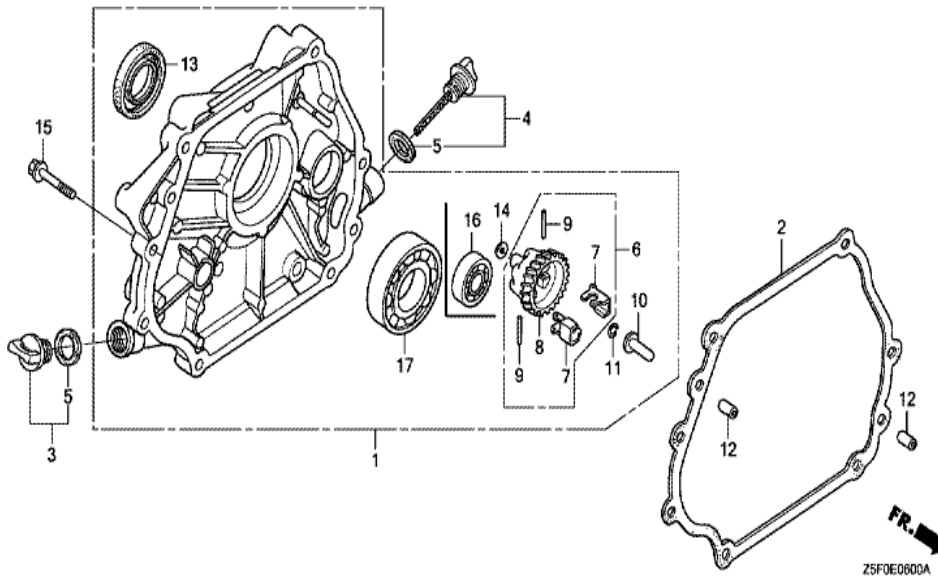
Z5F0E0300A

<u>Ref</u>	<u>Partnumber</u>	<u>Description</u>	<u>GX240U1</u>	<u>Serial Numbers</u>
001	12000-ZE2-406	BARREL ASSY., CYLINDER (ALERT)	1	
001	12000-ZE2-406	BARREL ASSY., CYLINDER (ALERT)	1	
002	15510-ZE2-043	SWITCH ASSY., OIL LEVEL	1	
002	15510-ZE2-043	SWITCH ASSY., OIL LEVEL	1	1174359
002	35480-ZF6-003	SWITCH ASSY., OIL LEVEL	1	
002	35480-ZF6-003	SWITCH ASSY., OIL LEVEL	1	1174360
003	16541-ZE2-010	SHAFT, GOVERNOR ARM	1	
005	34150-ZH7-003	ALERT UNIT, OIL	1	
005	34150-ZH7-003	ALERT UNIT, OIL	1	1178305
005	34150-ZH7-013	ALERT UNIT, OIL	1	1178306
005	34150-ZH7-013	ALERT UNIT, OIL	1	1178306
006	90013-883-000	BOLT, FLANGE, 6X12 (CT200)	1	
007	90131-883-000	BOLT, DRAIN PLUG, 12X15	2	
<u>Ref</u>	<u>Partnumber</u>	<u>Description</u>	<u>GX240U1</u>	<u>Serial Numbers</u>
008	90446-KE1-000	WASHER, 8.2X17X0.8	1	
010	91201-890-003	OIL SEAL, 30X46X8	1	
011	91353-671-004	O-RING, 14MM (NOK)	1	
012	94050-10000	NUT, FLANGE, 10MM	1	
013	94109-12000	WASHER, DRAIN PLUG, 12MM	2	
014	94251-10000	PIN, LOCK, 10MM	1	
015	95701-0601200	BOLT, FLANGE, 6X12	2	

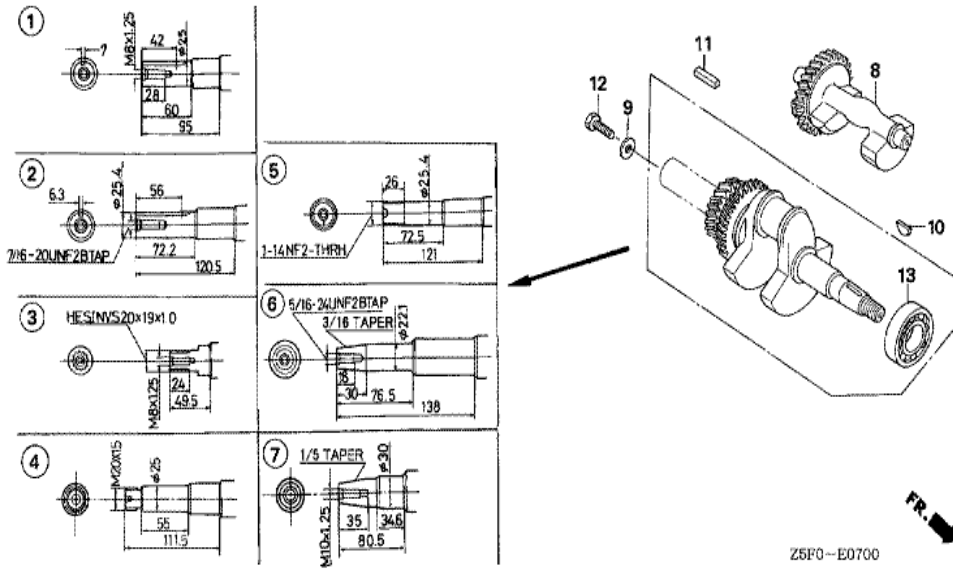


Z5F0E4001C

Ref	Partnumber	Description	GX240U1	Serial Numbers
001	87516-ZH7-800	MARK, OPERATOR CAUTION (FRENCH) (MADE IN	1	1237019
001	87516-ZH7-800	MARK, OPERATOR CAUTION (FRENCH) (MADE IN	1	1237019
009	87516-ZH7-801	MARK, OPERATOR CAUTION (FRENCH) (MADE IN	1	1237020
009	87516-ZH7-801	MARK, OPERATOR CAUTION (FRENCH) (MADE IN	1	1237020
010	87519-ZH7-000	MARK, OPERATOR CAUTION (PICTOGRAPH)	1	
010	87519-ZH7-000	MARK, OPERATOR CAUTION (PICTOGRAPH)	1	1237020
011	87539-ZOJ-810	MARK, EX. CAUTION (FRENCH)	1	1237020
011	87539-ZOJ-810	MARK, EX. CAUTION (FRENCH)	1	1237020
012	87539-ZOJ-800	MARK, EX. CAUTION (PICTOGRAPH)	1	
012	87539-ZOJ-800	MARK, EX. CAUTION (PICTOGRAPH)	1	1237020

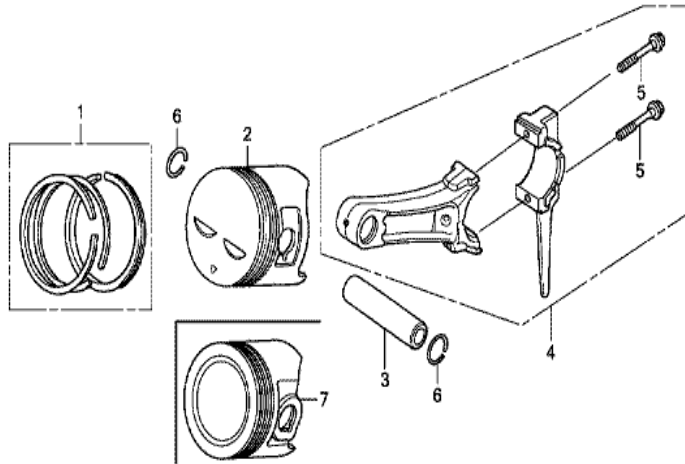


<u>Ref</u>	<u>Partnumber</u>	<u>Description</u>	<u>GX240U1</u>	<u>Serial Numbers</u>
001	11300-ZE2-602	COVER ASSY., CRANKCASE	1	
001	11300-ZE2-602	COVER ASSY., CRANKCASE	1	
002	11381-ZE2-801	PACKING, CASE COVER	1	
002	11381-ZE2-801	PACKING, CASE COVER	1	
003	15600-ZG4-003	CAP ASSY., OIL FILLER	1	
004	15600-735-003	CAP ASSY., OIL FILLER	1	
005	15625-ZE1-003	PACKING, OIL FILLER CAP	2	
006	16510-ZE2-000	GOVERNOR ASSY.	1	
007	16511-ZE2-000	WEIGHT, GOVERNOR	2	
008	16512-ZE2-000	HOLDER, GOVERNOR WEIGHT	1	
009	16513-ZE2-000	PIN, GOVERNOR WEIGHT	2	
010	16531-Z0A-000	SLIDER, GOVERNOR	1	
011	90602-ZE1-000	CLIP, GOVERNOR HOLDER	1	
<u>Ref</u>	<u>Partnumber</u>	<u>Description</u>	<u>GX240U1</u>	<u>Serial Numbers</u>
011	90602-ZE1-000	CLIP, GOVERNOR HOLDER	1	
012	90701-HC4-000	DOWEL PIN, 8X12	2	
013	91201-890-003	OIL SEAL, 30X46X8	1	
013	91201-890-003	OIL SEAL, 30X46X8	1	
014	94101-06800	WASHER, PLAIN, 6MM	1	
015	95701-0803500	BOLT, FLANGE, 8X35	7	
017	96100-6206000	BEARING, RADIAL BALL, 6206	1	



Z5F0-E0700

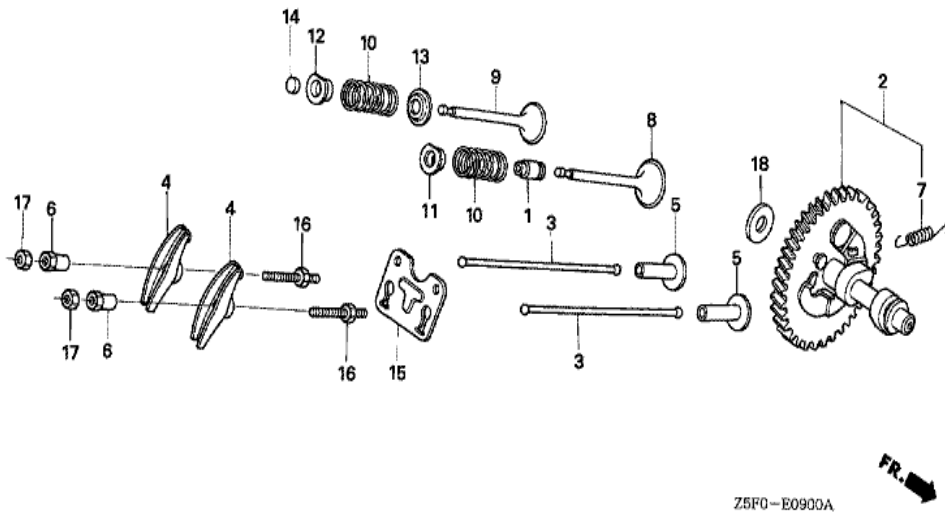
Ref	Partnumber	Description	GX240U1	Serial Numbers
002	13310-ZE2-601	CRANKSHAFT COMP.	1	1005832
002	13310-ZE2-602	CRANKSHAFT COMP.	1	
002	13310-ZE2-602	CRANKSHAFT COMP.	1	1005833
010	90741-ZE2-000	KEY, SPECIAL WOODRUFF, 25X18	1	
011	90745-ZE2-600	KEY, 6.3X6.3X43	1	
011	90745-ZE2-600	KEY, 6.3X6.3X43	1	
013	96100-6206000	BEARING, RADIAL BALL, 6206	1	
013	96100-6206000	BEARING, RADIAL BALL, 6206	1	



FR. →
Z5F0E08008

Ref	Partnumber	Description	GX240U1	Serial Numbers
001	13010-Z5F-004	RING SET, PISTON (STD.) (TEIKOKU)	1	1194596
001	13010-ZE2-921	RING SET, PISTON (STD.) (TEIKOKU)	1	1194595
001	13010-ZE2-921	RING SET, PISTON (STD.) (TEIKOKU)	1	1194595
001	13010-ZE2-922	RING SET, PISTON (STD.) (NIPPON)	1	1194595
001	13010-ZE2-922	RING SET, PISTON (STD.) (NIPPON)	1	1194595
001	13011-Z5F-004	RING SET, PISTON (0.25) (TEIKOKU)	(1)	1194596
001	13011-Z5F-004	RING SET, PISTON (0.25) (TEIKOKU)	(1)	1194596
001	13011-ZE2-921	RING SET, PISTON (0.25) (TEIKOKU)	(1)	1194595
001	13011-ZE2-921	RING SET, PISTON (0.25) (TEIKOKU)	(1)	1194595
001	13011-ZE2-922	RING SET, PISTON (0.25) (NIPPON)	(1)	1194595
001	13011-ZE2-922	RING SET, PISTON (0.25) (NIPPON)	(1)	1194595
001	13012-Z5F-004	RING SET, PISTON (0.50) (TEIKOKU)	(1)	1194596
001	13012-Z5F-004	RING SET, PISTON (0.50) (TEIKOKU)	(1)	1194596

<u>Ref</u>	<u>Partnumber</u>	<u>Description</u>	<u>GX240U1</u>	<u>Serial Numbers</u>
001	13012-ZE2-921	RING SET, PISTON (0.50) (TEIKOKU)	(1)	1194595
001	13012-ZE2-921	RING SET, PISTON (0.50) (TEIKOKU)	(1)	1194595
001	13012-ZE2-922	RING SET, PISTON (0.50) (NIPPON)	(1)	1194595
001	13012-ZE2-922	RING SET, PISTON (0.50) (NIPPON)	(1)	1194595
001	13013-Z5F-004	RING SET, PISTON (0.75) (TEIKOKU)	(1)	1194596
001	13013-Z5F-004	RING SET, PISTON (0.75) (TEIKOKU)	(1)	1194596
001	13013-ZE2-921	RING SET, PISTON (0.75) (TEIKOKU)	(1)	1194595
001	13013-ZE2-921	RING SET, PISTON (0.75) (TEIKOKU)	(1)	1194595
001	13013-ZE2-922	RING SET, PISTON (0.75) (NIPPON)	(1)	1194595
001	13013-ZE2-922	RING SET, PISTON (0.75) (NIPPON)	(1)	1194595
002	13101-ZE2-W00	PISTON (STD.)	1	1194595
002	13101-ZE2-W01	PISTON (STD.)	1	
002	13101-ZE2-W01	PISTON (STD.)	1	1194596
002	13102-ZE2-W00	PISTON (0.25)	(1)	1194595
002	13102-ZE2-W00	PISTON (0.25)	(1)	1194595
002	13102-ZE2-W01	PISTON (0.25)	(1)	1194596
002	13102-ZE2-W01	PISTON (0.25)	(1)	1194596
002	13103-ZE2-W00	PISTON (0.50)	(1)	1194595
002	13103-ZE2-W00	PISTON (0.50)	(1)	1194595
002	13103-ZE2-W01	PISTON (0.50)	(1)	1194596
002	13103-ZE2-W01	PISTON (0.50)	(1)	1194596
002	13104-ZE2-W00	PISTON (0.75)	(1)	1194595
002	13104-ZE2-W00	PISTON (0.75)	(1)	1194595
002	13104-ZE2-W01	PISTON (0.75)	(1)	1194596
002	13104-ZE2-W01	PISTON (0.75)	(1)	1194596
003	13111-ZE2-000	PIN, PISTON	1	
003	13111-ZE2-000	PIN, PISTON	1	
004	13200-ZE2-010	ROD ASSY., CONNECTING (STD.)	1	
004	13200-ZE2-305	ROD ASSY., CONNECTING (0.25 UNDER SIZE)	(1)	
004	13200-ZE2-305	ROD ASSY., CONNECTING (0.25 UNDER SIZE)	(1)	
005	90001-ZE8-000	BOLT, CONNECTING ROD	2	
006	90551-ZE1-000	CLIP, PISTON PIN, 18MM	2	



Z5F0-E0900A

<u>Ref</u>	<u>Partnumber</u>	<u>Description</u>	<u>GX240U1</u>	<u>Serial Numbers</u>
001	12209-ZE8-003	SEAL, VALVE STEM	1	
002	14100-ZE2-W01	CAMSHAFT ASSY.	1	
002	14100-ZE2-W01	CAMSHAFT ASSY.	1	
003	14410-ZE2-013	ROD, PUSH	2	
004	14431-ZE2-010	ARM, VALVE ROCKER	2	
005	14441-ZE2-000	LIFTER, VALVE	2	
006	14451-ZE1-013	PIVOT, ROCKER ARM	2	
007	14568-ZE1-000	SPRING, WEIGHT RETURN	1	
008	14711-ZE2-000	VALVE, IN.	1	
008	14711-ZE2-000	VALVE, IN.	1	
009	14721-ZE2-000	VALVE, EX.	1	
009	14721-ZE2-000	VALVE, EX.	1	
010	14751-ZE2-003	SPRING, VALVE	2	
<u>Ref</u>	<u>Partnumber</u>	<u>Description</u>	<u>GX240U1</u>	<u>Serial Numbers</u>
011	14771-ZE2-000	RETAINER, IN. VALVE SPRING	1	
012	14773-ZE2-000	RETAINER, EX. VALVE SPRING	1	
012	14773-ZE2-000	RETAINER, EX. VALVE SPRING	1	
013	14775-ZE2-010	SEAT, VALVE SPRING	1	
014	14781-ZE2-000	ROTATOR, VALVE	1	
015	14791-ZE2-010	GUIDE, PUSH ROD	1	
016	90012-ZE0-010	BOLT, PIVOT, 8MM	2	
017	90206-ZE1-000	NUT, PIVOT ADJUSTING	2	